

McCauley Propeller Systems

Application Guide

(MAG)

Table Of Contents

<u>Section</u>	<u>Description</u>
A	Propeller Model Information
B	Constant Speed Propeller Application
C	Constant Speed Propeller Notes
D	STC Information
E	STC Holder Information
F	STC Foreign Approvals
G	OEM Kits
H	Overhaul and Oil Fill Conversion Kits
I	Governor P/N
J	Fixed Pitch Application
K	Fixed Pitch Notes
L	Fixed Pitch Propeller Information
M	Fixed Pitch Bolt Kit Information
N	Fixed Pitch Bolt Information
O	Spinner Assembly Information
P	Electrothermal De-Ice and Anti-Ice Applications
Q	Electrothermal De-Ice Brush Block Assemblies

Note: This guide is **not** FAA approved, and is for reference only. Refer to the appropriate Type Certificate Data Sheet (TCDS) or Supplemental Type Certificate (STC) to verify information contained in this guide.

Propeller Model Information

Prop Model	Blade Model	FAA Type Certificate	Hub Centerline (inches)	Status	Typical Engine Installation	Oil Filled
2A36C1-U	90M-X	P-880	3.563	OBSOLETE	Con	No
2D34C8	78FB-X	P7EA	6.710	OBSOLETE	Lyc	Yes
2D34C9	78FBM-X	P7EA	6.710	OBSOLETE	Lyc	Yes
2AF31C10	84SF-X	P5EA	3.563	OBSOLETE	Frk	No
B2D34C11	84HF-X	P7EA	4.375	OBSOLETE	Lyc	Yes
2D36C14	78KM-X	P-901	5.069	OBSOLETE	Lyc	Yes
B2D34C16	84HF-X	P7EA	4.375	OBSOLETE	Lyc	Yes
2A36C18	90M-X	P-880	3.563	OBSOLETE	Con	No
2A31C21	84S-X	P-919	3.088	OBSOLETE	Fkn	No
2A34C22	84SF-X	P3EA	3.563	OBSOLETE	Fkn	Yes
2A36C23	84B-X	P-880	4.375	OBSOLETE	Con	Yes
2D36C28	80MM-X	P-901	5.069	OBSOLETE	Lyc	Yes
2A36C29	90M-X	P-880	3.563	OBSOLETE	Con	Yes
D2AF34C30	78FF-X	P5EA	3.563	OBSOLETE	Con	Yes
B2A36C31	90M-X	P-880	3.563	OBSOLETE	Con	Yes
C2A36C31	90M-X	P-880	3.563	OBSOLETE	Con	No
D2A36C31	90M-X	P-880	3.563	OBSOLETE	Con	Yes
C2A36C32	90M-X	P-880	3.563	OBSOLETE	Con	Yes
D2A36C33	90M-X	P-880	3.563	OBSOLETE	Con	Yes
D2A34C34	84JF-X	P3EA	3.563	OBSOLETE	Con	Yes
D3AF32C35	82NB-X	P22EA	6.563	OBSOLETE	Con	Yes
2AF36C38	100RF-X	P-911	3.563	OBSOLETE	Con	Yes
2AF36C39	78BFM-X	P-911	3.563	OBSOLETE	Con	Yes
2A36C43	100R-X	P-880	3.563	OBSOLETE	Con	No
D2A36C45	90M-X	P-880	3.563	OBSOLETE	Con	No
D2AF36C48	90MF-X	P-911	3.563	OBSOLETE	Con	Yes
D2A34C49	90A-X	P3EA	3.563	OBSOLETE	Con	Yes
2A34C50	90A-X	P3EA	3.563	OBSOLETE	Con	Yes
D2AF34C52	80GF-X	P5EA	3.563	OBSOLETE	Con	Yes
B2D34C53	74E-X	P7EA	4.375	OBSOLETE	Lyc	Yes
2D34C53	74E-X	P7EA	4.375	OBSOLETE	Lyc	Yes
D2AF34C54	84HF-X	P5EA	3.563	OBSOLETE	Con	Yes
2AF34C55	78FF-X	P5EA	3.563	OBSOLETE	Con	Yes
D2A34C58	90AT-X	P3EA	3.563	OBSOLETE	Con	Yes

Propeller Model Information

Prop Model	Blade Model	FAA Type Certificate	Hub Centerline (inches)	Status	Typical Engine Installation	Oil Filled
D2AF34C59	76C-X	P5EA	4.563	OBSOLETE	Con	Yes
D2AF34C60	76C-X	P5EA	3.563	OBSOLETE	Con	Yes
D2AF34C61	L76C-X	P5EA	8.063	OBSOLETE	Con	Yes
D2AF34C65	84JF-X	P5EA	6.563	OBSOLETE	Con	Yes
2A34C66	90AT-X	P3EA	3.563	OBSOLETE	Con	Yes
D2A34C67	76C-X	P3EA	3.563	OBSOLETE	Con	Yes
2AF36C68	100RFM-X	P-911	3.563	OBSOLETE	Con	Yes
2D34CT69	84HF-X	P18EA	4.375	OBSOLETE	Lyc	Yes
B2D34CT69	84HF-X	P18EA	4.375	OBSOLETE	Lyc	Yes
E2A34C70	90AT-X	P3EA	6.563	OBSOLETE	Con	Yes
D2AF34C71	84JF-X	P5EA	3.563	OBSOLETE	Con	Yes
3AF32C72	82N-X	P22EA	3.563	OBSOLETE	Con	Yes
E2A34C73	90AT-X	P3EA	6.563	OBSOLETE	Con	Yes
3AF34C74	90LF-X	P22EA	3.563	OBSOLETE	Con	Yes
3AF32C75	82NB-X	P22EA	3.563	OBSOLETE	Con	Yes
3A32C76	82NB-X	P21EA	4.375	OBSOLETE	Con	Yes
D3A32C77	82NK-X	P21EA	6.563	OBSOLETE	Con	Yes
D2A34C78	90AT-X	P3EA	3.563	OBSOLETE	Con	Yes
D3A32C79	82NK-X	P21EA	3.563	OBSOLETE	Con	Yes
D3AF32C80	82NC-X	P22EA	6.563	OBSOLETE	Con	Yes
D2AF34C81	84JF-X	P5EA	6.563	OBSOLETE	Con	Yes
2A36C82	84B-X	P-880	4.375	OBSOLETE	Con	Yes
3AF34C86	90LF-X	P22EA	3.563	OBSOLETE	Con	Yes
3AF32C87	82NC-X	P22EA	3.563	OBSOLETE	Con	Yes
D3AF32C87	82NC-X	P22EA	3.563	OBSOLETE	Con	Yes
D3A32C88	82NC-X	P21EA	6.563	OBSOLETE	Con	Yes
2AF36C89	78BFS-X	P-911	3.563	OBSOLETE	Con	Yes
D3A32C90	82NC-X	P21EA	3.563	OBSOLETE	Con	Yes
D2AF34C91	76C-X	P5EA	5.563	OBSOLETE	Con	Yes
3AF34C92	90LF-X	P22EA	3.563	OBSOLETE	Con	Yes
3AF32C93	82NC-X	P22EA	3.563	OBSOLETE	Con	Yes
D2A34C98	90AT-X	P3EA	3.563	OBSOLETE	Con	Yes
2A34C201	90DA-X	P3EA	3.688		Frk	Yes
2D34C202	82PA-X	P7EA	4.500	OBSOLETE	Lyc	No

Propeller Model Information

Prop Model	Blade Model	FAA Type Certificate	Hub Centerline (inches)	Status	Typical Engine Installation	Oil Filled
2A34C203	90DCA-X	P3EA	3.688		Con	Yes
C2A34C204	90DCB-X	P3EA	3.688		Con	Yes
B2A34C205	90DHA-X	P3EA	3.688		Con	Yes
B2D34C206	78TA-X	P7EA	4.500	OBSOLETE	Lyc	No
B2D34C207	78TCA-X	P7EA	4.500		Lyc	No
B2D34C208	82PA-X	P7EA	4.500	OBSOLETE	Lyc	No
2A34C209	78CCA-X	P3EA	3.688		Con	Yes
2A34C210	78CCA-X	P3EA	6.563		Con	No
B2D34C211	82PCA-X	P7EA	4.500		Lyc	No
B2D34C212	78CDA-X,E	P7EA	4.500		Lyc	No
B2D34C213	90DHA-X	P7EA	4.500		Lyc	No
B2D34C214	90DHB-X, EP	P7EA	4.500		Lyc	No
2D34C215	90DJA-XE	P7EA	4.500		Lyc	No
2A34C216	90DHB-XE, EP	P3EA	6.563		Con	No
B2D34C217	90DHB-X	P7EA	4.500		Lyc	No
B2D34C218	90DHB-X	P7EA	4.500		Lyc	No
B2D34C219	90DHB-X	P7EA	4.500		Lyc	No
B2D34C220	80VHA-X	P7EA	6.500		Lyc	No
2A34C221	90DHC-XE, EP	P3EA	6.563		Con	No
2A37C223	90RB-X	P3EA	4.375		Con	Yes
B2D37C224	90RA-X	P7EA	4.500		Lyc	No
B2A34C225	90DJA-X	P3EA	3.688		Con	No
2A34C227	90DHB-XE	P3EA	3.688		Con	Yes
B2A37C228	90RDA-X	P3EA	4.375		Con	Yes
B2D37C229	90RHC-X	P7EA	4.500		Lyc	No
D2A37C230	90REB-X	P3EA	3.688		Con	Yes
D2A37C231	90REC-X	P3EA	3.688		Con	Yes
2A37C232	90REB-X	P3EA	3.688		Con	Yes
E2A37C233	90REB-X	P3EA	6.563		Con	Yes
E2A37C234	90REB-X	P3EA	6.563		Con	Yes
B2D34C235	90DKB-XE	P7EA	6.500		Lyc	Yes
C2D37C236	90REA-X	P7EA	4.500		Lyc	Yes
B2A37C238	90REA-X	P3EA	3.688		Con	Yes
2A34C239	90DMC-X	P3EA	6.563		Con	Yes

Propeller Model Information

Prop Model	Blade Model	FAA Type Certificate	Hub Centerline (inches)	Status	Typical Engine Installation	Oil Filled
2A34C240	90DJA-X	P3EA	6.563		Con	No
2A34C241	82PGC-X	P3EA	6.563		Con	Yes
D2AF34C301	76CTA-X	P5EA	4.563	OBSOLETE	Con	No
D2AF34C302	L76CTA-X	P5EA	8.063		Con	No
D2AF34C303	78CAA-X	P5EA	5.563		Con	No
D2AF34C304	76CTA-X	P5EA	5.563		Con	No
D2AF34C305	L78CBA-X	P5EA	8.063		Con	No
D2AF34C306	78CAA-X	P5EA	4.563		Con	No
D2AF34C307	L78CBA-X	P5EA	8.063		Con	No
D2AF34C308	90DEA-X	P5EA	5.563		Con	No
D2AF34C310	90DEA-X	P5EA	4.563		Con	No
D3A34C401	90DFA-X	P47GL	3.688			Con
D3A34C402	90DFA-X	P47GL	6.563		Con	No
D3A34C403	80VA-X	P47GL	3.688		Con	No
D3A34C404	80VA-X	P47GL	6.563		Con	No
B3D34C405	90DFA-X	P58GL	6.563		Lyc	No
3A32C406	82NDB-X	P47GL	4.375		Con	Yes
B3D32C407	82NDA-X	P58GL	6.500		Lyc	No
D3A32C408	82NDA-X	P47GL	6.563		Con	No
D3A32C409	82NDB-X	P47GL	4.375		Con	Yes
D3A36C410	80VMB-X	P47GL	6.563		Con	No
D3A32C411	82NDA-X	P47GL	3.688		Con	No
B3D32C412	82NDA-X	P58GL	4.500		Lyc	No
B3D34C413	90DFA-X	P58GL	6.750		Lyc	No
B3D32C414	82NDA-X	P58GL	4.500		Lyc	No
C3D36C415	82NGA-X	P58GL	4.500		Lyc	No
B3D36C416	82NGA-X	P58GL	4.500		Lyc	No
B3D32C417	82NRD-X	P58GL	6.500		Lyc	No
3A32C418	82NRC-X	P47GL	6.563		Con	No
B3D32C419	82NHA-X	P58GL	6.563		Lyc	No
D3A34C420	90DFA-X	P47GL	4.375		Con	Yes
3A34C422	90DFA-X	P47GL	6.563		Con	No
3A34C423	90DFA-X	P47GL	4.375		Con	Yes
B3D36C424	74SA-X	P58GL	4.500		Lyc	No

Propeller Model Information

Prop Model	Blade Model	FAA Type Certificate	Hub Centerline (inches)	Status	Typical Engine Installation	Oil Filled
D3A32C425	82NDA-X	P47GL	3.688		Con	2nd
D3A32C426	82NDA-X	P47GL	6.563		Con	2nd
B3D36C427	82NGA-X	P58GL	4.500		Lyc	No
B3D36C428	82NPA-X	P58GL	4.500		Lyc	No
B3D36C429	82NPA-X	P58GL	6.563		Lyc	No
D3A36C430	74SA-X	P47GL	6.563		Con	Yes
B3D36C431	80VSA-X	P58GL	6.563		Lyc	Yes
B3D36C432	80VSA-X	P58GL	6.563		Lyc	Yes
B3D36C433	80VSA-X	P58GL	4.500		Lyc	Yes
3A36C434	80VEA-X	P47GL	4.375		Con	Yes
D3A36C435	80VEA-X	P47GL	3.688		Con	Yes
D3A36C436	74SA-X	P47GL	3.688		Con	Yes
B3D36C442	80VSB-X	P58GL	6.563		Lyc	Yes
D3A34C443	78CYA-X	P47GL	6.563		Con	Yes
D3A34C444	78MLA-X	P47GL	6.563		Con	Yes
D3A34C447	78MLB-X	P47GL	6.563		Con	Yes
3FF32C501	90UMB-X	P45GL	3.875		Con	No
3AF34C502	80HA-X	P57GL	3.688		Con	No
3AF34C503	L80HA-X	P57GL	3.688		Con	No
3AF32C504	82NEA-X	P57GL	3.688		Con	No
3AF32C505	82NEA-X	P57GL	3.688		Con	No
3AF32C506	82NEB-X	P57GL	5.563		Con	No
3AF32C507	L82NEB-X	P57GL	5.563		Con	No
3AF32C508	82NFA-X	P57GL	3.688		Con	No
3AF32C509	L82NFA-X	P57GL	3.688		Con	No
3AF32C511	82NEA-X	P57GL	6.563		Con	No
3AF32C512	82NEA-X	P57GL	6.563		Con	No
3AF36C514	80VMFA-X	P57GL	6.563		Con	No
3AF32C515	82NLA-X	P57GL	3.688		Con	No
3AF37C516	90LFB-X	P57GL	3.688		Con	No
3AF32C521	82NLA-X	P57GL	6.563		Con	No
3AF32C522	82NJA-X	P57GL	6.563		Con	No
3AF32C523	L82NJA-X	P57GL	6.563		Con	No
3AF32C524	90UMB-X	P57GL	3.688		Lyc	Yes

Propeller Model Information

Prop Model	Blade Model	FAA Type Certificate	Hub Centerline (inches)	Status	Typical Engine Installation	Oil Filled
3AF36C525	80VMFA-X	P57GL	3.688		Con	No
B3DF36C526	80HJA-X	P57GL	6.750		Lyc	Yes
B3DF36C527	L80HJA-X	P57GL	6.750		Lyc	Yes
3AF32C528	82NEA-X	P57GL	3.688		Con	Yes
3FF34C529	106AWA-X	P45GL	3.688		Ord	Yes
3GFR34C601	93JA-3	P54GL	3.875		Gar	Yes
3GFR34C602	100LA-2	P54GL	3.875		Gar	Yes
4HFR34C652	L106LA-0	P3NE	3.955		Gar	Yes
4HFR34C653	L106FA-0	P3NE	3.955		Gar	Yes
4HFR34C661	90LNA-0	P3NE	3.955		Gar	Yes
4HFR34C663	L106KA-0	P3NE	3.955		Gar	Yes
4HFR34C664	L106LA-0	P3NE	3.955		Gar	Yes
4HFR34C665	L106FRA-0	P3NE	3.955		Gar	Yes
3GFR34C701	93KB-0	P60GL	3.955		PW	Yes
3GFR34C702	100LA-2	P60GL	3.955		PW	Yes
3GFR34C703	106GA-0	P60GL	3.955		PW	Yes
4HFR34C754	94LA-0	P3NE	3.955		PW	Yes
4JFR34C758	106LNA-1	P3NE	3.955		PW	Yes
4HFR34C760	95DA-.5	P3NE	3.955		PW	Yes
4HFR34C761	L95DZ-2.5	P3NE	3.955		PW	Yes
4HFR34C762	94LMA-4	P3NE	3.955		PW	Yes
4HFR34C763	94LMA-4	P3NE	3.955		PW	Yes
4HFR34C764	94LMB-0	P3NE	3.955		PW	Yes
4HFR34C766	94LNA-2	P3NE	3.955		PW	Yes
4HFR34C768	94LMA-4	P3NE	3.955		PW	Yes
4HFR34C769	94LMA-4	P3NE	3.955		PW	Yes
4HFR34C771	94LA-0	P3NE	3.955		PW	Yes
4HFR34C773	94LMA-4	P3NE	3.955		PW	Yes
4HFR34C775	96MGA-0	P3NE	3.955		PW	Yes
5JFR36C1003	L104DSZ-0	P15NE	3.955		PW	Yes
5HFR34C1008	96LTA-0	P15NE	3.955		PW	Yes
B5JFR36C1101	114GCA-0	P15NE	3.955		Gar	Yes
C5JFR36C1102	L114GCA-0	P15NE	3.955		Gar	Yes
B5JFR36C1103	114HCA-0	P15NE	3.955		Gar	Yes

Propeller Model Information

Prop Model	Blade Model	FAA Type Certificate	Hub Centerline (inches)	Status	Typical Engine Installation	Oil Filled
C5JFR36C1104	L114HCA-0	P15NE	3.955		Gar	Yes
5HFR34C1105	96LRB-9	P15NE	3.955		Gar	Yes

Constant Speed Propeller Applications

Aircraft		Engine		Part Number	Model	Diameter		Ref		Blade Angles			Spinner		Governors	STC Number STC Holder STC Kit P/N	Notes
Model	T Y P E	Model (Make)				Max	Min	Sta	Rev	Low or Flight Idle	Latch or Start Locks	High or Feather	Assembly P/N	T y p e			
AERMACCHI S.p.A (SIAI Marchetti S.r.L)																	
S.205-22/R "Vela"	L	6A-350-C1 (FR)	OBSOLETE	2A31C21/84S-4	80.0	78.0	30		11.2		20.5						1
AERONAUTICA MACCHI, S.p.A (formerly Lockheed)																	
AL 60 "LASA 60"	L	IO-470-R (TCM)	OBSOLETE	D2A36C33/90M-4	86.0	84.0	36		9.0		22.3	D-2845-1 D-2771-1	S S				1 30
AL 60 "LASA 60"	L	TSIO-470-B (TCM)	OBSOLETE	D2A36C33/90M-4	86.0	84.0	36		10.0		27.5	D-2845-1 D-2771-1	S S				1 30
AL 60-B	L	IO-470-R (TCM)	OBSOLETE	D2A36C33/90M-4	86.0	84.0	36		9.0		22.3	D-2845-1 D-2771-1	S S				1 30
AL 60-B	L	TSIO-470-B (TCM)	OBSOLETE	D2A36C33/90M-4	86.0	84.0	36		10.0		27.5	D-2845-1 D-2771-1	S S				1 30
AERONCA (Burl A. Rogers)																	
S15AC	L	C-145-2H (TCM)	OBSOLETE	2B36C7/78K-2	76.0	74.5	30		11.0		16.0						1
AIR TRACTOR																	
AT-401	L	OE-600A (OE)	P5297698-01	3FF34C529/106AWA-0	106.0	105.0	30		17.6	20.5	88.0	E-7705	P			SA01583CH Trace Engines	
AT-401A	L	OE-600A (OE)	P5297698-01	3FF34C529/106AWA-0	106.0	105.0	30		17.6	20.5	88.0	E-7705	P			SA01583CH Trace Engines	
AT-401B	L	OE-600A (OE)	P5297698-01	3FF34C529/106AWA-0	106.0	105.0	30		17.6	20.5	88.0	E-7705	P			SA01583CH Trace Engines	
AT-402	L	OE-600A (OE)	P5297698-01	3FF34C529/106AWA-0	106.0	105.0	30		17.6	20.5	88.0	E-7705	P			SA01583CH Trace Engines	
AT-402A	L	OE-600A (OE)	P5297698-01	3FF34C529/106AWA-0	106.0	105.0	30		17.6	20.5	88.0	E-7705	P			SA01583CH Trace Engines	
AT-402B	L	OE-600A (OE)	P5297698-01	3FF34C529/106AWA-0	106.0	105.0	30		17.6	20.5	88.0	E-7705	P			SA01583CH Trace Engines	
AUSTER																	
B-8 Series 1	L	O-470-M (TCM)	OBSOLETE	2A36C18/90M-4	86.0	86.0	36		9.5		22.3						1
AVIONS ROBIN																	
HR-100/210	L	IO-360-H (TCM)	P2104532-01	2A34C210/78CCA-2	76.0	72.0	30		11.3		22.0	D-3683	S	C290D3/T6 C290D2/T6			
HR-100/210	L	IO-360-H (TCM)	P2104532-02	2A34C210/78CCA-6	72.0	72.0	30		12.5		22.0	D-3683	S	C290D3/T6 C290D2/T6			
BEAGLE (British Aerospace, Aircraft Group)																	
A109 "Airdale"	L	O-360-A1A (LY)	OBSOLETE	2D36C14/78KM-4	74.0	74.0	30		12.7		27.5	D-2137	S				1 42
B.206 Series 1	L	GIO-470-A (TCM)	OBSOLETE	2AF36C68/100RFM-10	90.0	88.0	36		12.0	15.0	81.6	D-2893	S, A				1
B.206 Series 2	L	GTSIO-520-C (TCM)	OBSOLETE	3AF34C86/90LF-0	90.0	88.0	30		13.0	16.3	85.0	D-4175 D-3625	S, A S, A				1 5
BEECHCRAFT (Raytheon Aircraft Company)																	
A23-24 "Musketeer Super III"	L	IO-360-A1B (LY)	OBSOLETE	2D34C8/78FB-1.5	76.5	76.5	30		13.2		27.5	D-3683	S	DC290D1/T1 C290D3/T3 C290D2/T3			1 43
A23-24 "Musketeer Super III"	L	IO-360-A1B (LY)	OBSOLETE	2D34C9/78FBM-1.5	76.5	76.5	30		14.2		27.5	D-3683	S	DC290D1/T1 C290D3/T3 C290D2/T3			1 43
A23-24 "Musketeer Super III"	L	IO-360-A1B (LY)	P4295038-02	B3D36C429/82NPA-6	76.0	75.0	30		10.5		33.8	D-7290	P	DC290D1/T1 C290D3/T3 C290D2/T3	SA496CH McCauley PL60168		60

Constant Speed Propeller Applications

Aircraft		Engine		Part Number	Model	Diameter		Ref		Blade Angles			Spinner		Governors	STC Number STC Holder STC Kit P/N	Notes
Model	TYPE	Model (Make)	Model			Max	Min	Sta	Rev	Low or Flight Idle	Latch or Start Locks	High or Feather	Assembly P/N	Type			
A23-24 "Musketeer Super III"	L	IO-360-A1D (LY)	OBSOLETE	2D34C8/78FB-1.5	76.5	76.5	30			13.2		27.5	D-3683	S	DC290D1/T1 C290D3/T3 C290D2/T3		1 43
A23-24 "Musketeer Super III"	L	IO-360-A1D (LY)	OBSOLETE	2D34C9/78FBM-1.5	76.5	76.5	30			14.2		27.5	D-3683	S	DC290D1/T1 C290D3/T3 C290D2/T3		1 43
A23-24 "Musketeer Super III"	L	IO-360-A1D (LY)	P4295038-02	B3D36C429/82NPA-6	76.0	75.0	30			10.5		33.8	D-7290	P	DC290D1/T1 C290D3/T3 C290D2/T3	SA496CH McCauley PL60168	60
A24 "Super"	L	IO-360-A1B (LY)	OBSOLETE	2D34C9/78FBM-1.5	76.5	76.5	30			14.2		27.5	D-3683	S	DC290D1/T1 C290D3/T3 C290D2/T3		1 43
A24 "Super"	L	IO-360-A1B (LY)	P4295038-02	B3D36C429/82NPA-6	76.0	75.0	30			10.5		33.8	D-7290	P	DC290D1/T1 C290D3/T3 C290D2/T3	SA496CH McCauley PL60168	60
A24 "Super"	L	IO-360-A1D (LY)	OBSOLETE	2D34C9/78FBM-1.5	76.5	76.5	30			14.2		27.5	D-3683	S	DC290D1/T1 C290D3/T3 C290D2/T3		1 43
A24 "Super"	L	IO-360-A1D (LY)	P4295038-02	B3D36C429/82NPA-6	76.0	75.0	30			10.5		33.8	D-7290	P	DC290D1/T1 C290D3/T3 C290D2/T3	SA496CH McCauley PL60168	60
A24R "Musketeer Super R"	L	IO-360-A1B (LY)	OBSOLETE	2D34C9/78FBM-1.5	76.5	76.5	30			14.2		27.5	D-3683	S	DC290D1/T1 C290D3/T3 C290D2/T3		1 43
A24R "Musketeer Super R"	L	IO-360-A1B (LY)	P4295038-02	B3D36C429/82NPA-6	76.0	75.0	30			10.5		33.8	D-7290	P	DC290D1/T1 C290D3/T3 C290D2/T3	SA496CH McCauley PL60168	60
A24R "Musketeer Super R"	L	IO-360-A1D (LY)	OBSOLETE	2D34C9/78FBM-1.5	76.5	76.5	30			14.2		27.5	D-3683	S	DC290D1/T1 C290D3/T3 C290D2/T3		1 43
A24R "Musketeer Super R"	L	IO-360-A1D (LY)	P4295038-02	B3D36C429/82NPA-6	76.0	75.0	30			10.5		33.8	D-7290	P	DC290D1/T1 C290D3/T3 C290D2/T3	SA496CH McCauley PL60168	60
B24R "Sierra 200"	L	IO-360-A1B6 (LY)	P4295038-02	B3D36C429/82NPA-6	76.0	75.0	30			10.5		33.8	D-7290	P		SA496CH McCauley PL60168	60
C24R "Sierra"	L	IO-360-A1B6 (LY)	P4295038-02	B3D36C429/82NPA-6	76.0	75.0	30			10.5		33.8	D-7290	P		SA496CH McCauley PL60168	60
35-33 "Debonair"	L	IO-470-C (TCM)	OBSOLETE	2A36C23/84B-0	84.0	82.0	30			13.0		29.7	D-3290	S		SA5527SW D'Shannon	1 55
35-33 "Debonair"	L	IO-470-C (TCM)	P2235197-53	2A37C223/90RB-6	84.0	82.0	30			13.0		29.7	D-3290 D-3290-2	S S,E		SA5527SW D'Shannon	55
35-33 "Debonair"	L	IO-470-C (TCM)	P4237482-52	3A34C423/90DFA-10	80.0	78.0	30			11.0		29.0	D-3600 D-3584 D-5541	S S P		SA5527SW D'Shannon	55 82
35-33 "Debonair"	L	IO-470-C (TCM)	P4347482-01	3A36C434/80VEA-0	80.0	78.0	30			10.8		33.9	D-3600	S		SA5527SW D'Shannon	55
35-33 "Debonair"	L	IO-470-J (TCM)	OBSOLETE	2A36C23/84B-0	84.0	82.0	30			12.0		29.7	D-3290 D-3290-2	S S,E			1 55

Constant Speed Propeller Applications

Aircraft		Engine		Part Number	Model	Diameter		Ref		Blade Angles			Spinner		Governors	STC Number STC Holder STC Kit P/N	Notes
Model	T Y P E	Model (Make)	Model			Max	Min	Sta	Rev	Low or Flight Idle	Latch or Start Locks	High or Feather	Assembly P/N	T y p e			
35-33 "Debonair"	L	IO-470-J (TCM)	P2235197-51	2A37C223/90RB-6	84.0	82.0	30			12.0		29.7	D-3290 D-3290-2 D-7587 D-7587-2	S S,E P P,E	C290D3/T35	SA1489GL McCauley PL60298 PL60299 PL60308 PL60309	55
35-33 "Debonair"	L	IO-470-J (TCM)	P4237482-53	3A34C423/90DFA-10	80.0	78.0	30			8.8		29.0	D-3600 D-3584 D-5144	S S P	C290D3/T35	SA1691GL D'Shannon	55 82
35-33 "Debonair"	L	IO-470-J (TCM)	P4347482-01	3A36C434/80VEA-0	80.0	78.0	30			10.8		33.9	D-3600 D-7062	S P	C290D3/T35	SA00718CH McCauley PL60219 PL60250 PL60223 PL60251	55
35-33 "Debonair"	L	IO-470-K (TCM)	OBSOLETE	2A36C23/84B-0	84.0	82.0	30			12.0		29.7	D-3290 D-3290-2	S S,E			1 55
35-33 "Debonair"	L	IO-470-K (TCM)	P2235197-51	2A37C223/90RB-6	84.0	82.0	30			12.0		29.7	D-3290 D-3290-2 D-7587 D-7587-2	S S,E P P,E	C290D3/T35	SA1489GL McCauley PL60298 PL60299 PL60308 PL60309	55
35-33 "Debonair"	L	IO-470-K (TCM)	P4237482-53	3A34C423/90DFA-10	80.0	78.0	30			8.8		29.0	D-3600 D-3584 D-5144	S S P	C290D3/T35	SA1691GL D'Shannon	55 82
35-33 "Debonair"	L	IO-470-K (TCM)	P4347482-01	3A36C434/80VEA-0	80.0	78.0	30			10.8		33.9	D-3600 D-7062	S P	C290D3/T35	SA00718CH McCauley PL60219 PL60250 PL60223 PL60251	55
35-33 "Debonair"	L	IO-470-N (TCM)	OBSOLETE	2A36C23/84B-0	84.0	82.0	30			13.3		29.7	D-3290	S		SA5527SW D'Shannon	1 55
35-33 "Debonair"	L	IO-470-N (TCM)	P2235197-54	2A37C223/90RB-6	84.0	82.0	30			13.3		29.7	D-3290 D-3290-2	S S,E		SA5527SW D'Shannon	55
35-33 "Debonair"	L	IO-470-N (TCM)	P4237482-54	3A34C423/90DFA-10	80.0	78.0	30			11.8		29.0	D-3600 D-3584 D-5541	S S P		SA5527SW D'Shannon	55 82
35-33 "Debonair"	L	IO-470-N (TCM)	P4347482-01	3A36C434/80VEA-0	80.0	78.0	30			10.8		33.9	D-3600	S		SA5527SW D'Shannon	55
35-33 "Debonair"	L	IO-520-B (TCM)	OBSOLETE	2A36C23/84B-0	84.0	82.0	30			13.3		29.7	D-3396 D-3396-2 D-2822	S S,E S		SA2200SW D'Shannon	1
35-33 "Debonair"	L	IO-520-B (TCM)	P2235197-54	2A37C223/90RB-6	84.0	82.0	30			13.3		29.7	D-3396 D-3396-2	S S,E		SA2200SW D'Shannon	
35-33 "Debonair"	L	IO-520-B (TCM)	P4065195-02 P4067482-52 P4067482-54	3A32C406/82NDB-2	80.0	78.5	30			13.3		29.0	D-5541 D-5259	P P		SA2200SW D'Shannon	29
35-33 "Debonair"	L	IO-520-BA (TCM)	OBSOLETE	2A36C23/84B-0	84.0	82.0	30			13.3		29.7	D-3396 D-3396-2 D-2822	S S,E S		SA2200SW D'Shannon	1

Constant Speed Propeller Applications

Aircraft		Engine			Diameter		Ref		Blade Angles			Spinner		Governors	STC Number STC Holder STC Kit P/N	Notes
Model	T Y P E	Model (Make)	Part Number	Model	Max	Min	Sta	Rev	Low or Flight Idle	Latch or Start Locks	High or Feather	Assembly P/N	T y p e			
35-33 "Debonair"	L	IO-520-BA (TCM)	P2235197-54	2A37C223/90RB-6	84.0	82.0	30		13.3		29.7	D-3396 D-3396-2	S S,E		SA2200SW D'Shannon	
35-33 "Debonair"	L	IO-520-BA (TCM)	P4065195-02 P4067482-52 P4067482-54	3A32C406/82NDB-2	80.0	78.5	30		13.3		29.0	D-5541 D-5259	P P		SA2200SW D'Shannon	29
35-33 "Debonair"	L	IO-520-BB (TCM)	OBSOLETE	2A36C23/84B-0	84.0	82.0	30		13.3		29.7	D-3396 D-3396-2 D-2822	S S,E S		SA2200SW D'Shannon	1
35-33 "Debonair"	L	IO-520-BB (TCM)	P2235197-54	2A37C223/90RB-6	84.0	82.0	30		13.3		29.7	D-3396 D-3396-2	S S,E		SA2200SW D'Shannon	
35-33 "Debonair"	L	IO-520-BB (TCM)	P4065195-02 P4067482-52 P4067482-54	3A32C406/82NDB-2	80.0	78.5	30		13.3		29.0	D-5541 D-5259	P P		SA2200SW D'Shannon	29
35-33 "Debonair"	L	IO-550-B (TCM)	OBSOLETE	3A32C76/82NB-2	80.0	78.5	30		13.3		29.0	D-3584 D-3584-2	S S,E		SA2200SW D'Shannon	1
35-33 "Debonair"	L	IO-550-B (TCM)	P4065195-02 P4067482-52 P4067482-54	3A32C406/82NDB-2	80.0	78.5	30		13.3		29.0	D-5541 D-5259	P P		SA2200SW D'Shannon	29
35-33 "Debonair"	L	IO-550-B (TCM)	P4097757-52	D3A32C409/82NDB-2	80.0	78.5	30		13.7		28.8	D-5541	P		SA2200SW D'Shannon	29
35-A33 "Debonair"	L	IO-470-C (TCM)	OBSOLETE	2A36C23/84B-0	84.0	82.0	30		13.0		29.7	D-3290	S		SA5527SW D'Shannon	1 55
35-A33 "Debonair"	L	IO-470-C (TCM)	P2235197-53	2A37C223/90RB-6	84.0	82.0	30		13.0		29.7	D-3290 D-3290-2	S S,E		SA5527SW D'Shannon	55
35-A33 "Debonair"	L	IO-470-C (TCM)	P4237482-52	3A34C423/90DFA-10	80.0	78.0	30		11.0		29.0	D-3600 D-3584 D-5541	S S P		SA5527SW D'Shannon	55 82
35-A33 "Debonair"	L	IO-470-C (TCM)	P4347482-01	3A36C434/80VEA-0	80.0	78.0	30		10.8		33.9	D-3600	S		SA5527SW D'Shannon	55
35-A33 "Debonair"	L	IO-470-J (TCM)	OBSOLETE	2A36C23/84B-0	84.0	82.0	30		12.0		29.7	D-3290 D-3290-2	S S,E			1 55
35-A33 "Debonair"	L	IO-470-J (TCM)	P2235197-51	2A37C223/90RB-6	84.0	82.0	30		12.0		29.7	D-3290 D-3290-2 D-7587 D-7587-2	S S,E P P,E	C290D3/T35	SA1489GL McCauley PL60298 PL60299 PL60308 PL60309	55
35-A33 "Debonair"	L	IO-470-J (TCM)	P4237482-53	3A34C423/90DFA-10	80.0	78.0	30		8.8		29.0	D-3600 D-3584 D-5541	S S P	C290D3/T35	SA1691GL D'Shannon	55 82
35-A33 "Debonair"	L	IO-470-J (TCM)	P4347482-01	3A36C434/80VEA-0	80.0	78.0	30		10.8		33.9	D-3600 D-7062	S P	C290D3/T35	SA00718CH McCauley PL60219 PL60250 PL60223 PL60251	55
35-A33 "Debonair"	L	IO-470-K (TCM)	OBSOLETE	2A36C23/84B-0	84.0	82.0	30		12.0		29.7	D-3290 D-3290-2	S S,E			1 55

Constant Speed Propeller Applications

Aircraft		Engine			Diameter		Ref		Blade Angles			Spinner		Governors	STC Number STC Holder STC Kit P/N	Notes
Model	T Y P E	Model (Make)	Part Number	Model	Max	Min	Sta	Rev	Low or Flight Idle	Latch or Start Locks	High or Feather	Assembly P/N	T y p e			
35-A33 "Debonair"	L	IO-470-K (TCM)	P2235197-51	2A37C223/90RB-6	84.0	82.0	30		12.0		29.7	D-3290 D-3290-2 D-7587 D-7587-2	S S,E P P,E	C290D3/T35	SA1489GL McCauley PL60298 PL60299 PL60308 PL60309	55
35-A33 "Debonair"	L	IO-470-K (TCM)	P4237482-53	3A34C423/90DFA-10	80.0	78.0	30		8.8		29.0	D-3600 D-3584 D-5541	S S P	C290D3/T35	SA1691GL D'Shannon	55 82
35-A33 "Debonair"	L	IO-470-K (TCM)	P4347482-01	3A36C434/80VEA-0	80.0	78.0	30		10.8		33.9	D-3600 D-7062	S P	C290D3/T35	SA00718CH McCauley PL60219 PL60250 PL60223 PL60251	55
35-A33 "Debonair"	L	IO-470-N (TCM)	OBSOLETE	2A36C23/84B-0	84.0	82.0	30		13.3		29.7	D-3290	S		SA5527SW D'Shannon	1 55
35-A33 "Debonair"	L	IO-470-N (TCM)	P2235197-54	2A37C223/90RB-6	84.0	82.0	30		13.3		29.7	D-3290 D-3290-2	S S,E		SA5527SW D'Shannon	55
35-A33 "Debonair"	L	IO-470-N (TCM)	P4237482-54	3A34C423/90DFA-10	80.0	78.0	30		11.8		29.0	D-3600 D-3584 D-5541	S S P		SA5527SW D'Shannon	55 82
35-A33 "Debonair"	L	IO-470-N (TCM)	P4347482-01	3A36C434/80VEA-0	80.0	78.0	30		10.8		33.9	D-3600	S		SA5527SW D'Shannon	55
35-A33 "Debonair"	L	IO-520-B (TCM)	OBSOLETE	2A36C23/84B-0	84.0	82.0	30		13.3		29.7	D-3396 D-3396-2 D-2822	S S,E S		SA2200SW D'Shannon	1
35-A33 "Debonair"	L	IO-520-B (TCM)	P2235197-54	2A37C223/90RB-6	84.0	82.0	30		13.3		29.7	D-3396 D-3396-2	S S,E		SA2200SW D'Shannon	
35-A33 "Debonair"	L	IO-520-B (TCM)	P4065195-02 P4067482-52 P4067482-54	3A32C406/82NDB-2	80.0	78.5	30		13.3		29.0	D-5541 D-5259	P P		SA2200SW D'Shannon	29
35-A33 "Debonair"	L	IO-520-BA (TCM)	OBSOLETE	2A36C23/84B-0	84.0	82.0	30		13.3		29.7	D-3396 D-3396-2 D-2822	S S,E S		SA2200SW D'Shannon	1
35-A33 "Debonair"	L	IO-520-BA (TCM)	P2235197-54	2A37C223/90RB-6	84.0	82.0	30		13.3		29.7	D-3396 D-3396-2	S S,E		SA2200SW D'Shannon	
35-A33 "Debonair"	L	IO-520-BA (TCM)	P4065195-02 P4067482-52 P4067482-54	3A32C406/82NDB-2	80.0	78.5	30		13.3		29.0	D-5541 D-5259	P P		SA2200SW D'Shannon	29
35-A33 "Debonair"	L	IO-520-BB (TCM)	OBSOLETE	2A36C23/84B-0	84.0	82.0	30		13.3		29.7	D-3396 D-3396-2 D-2822	S S,E S		SA2200SW D'Shannon	1
35-A33 "Debonair"	L	IO-520-BB (TCM)	P2235197-54	2A37C223/90RB-6	84.0	82.0	30		13.3		29.7	D-3396 D-3396-2	S S,E		SA2200SW D'Shannon	
35-A33 "Debonair"	L	IO-520-BB (TCM)	P4065195-02 P4067482-52 P4067482-54	3A32C406/82NDB-2	80.0	78.5	30		13.3		29.0	D-5541 D-5259	P P		SA2200SW D'Shannon	29
35-A33 "Debonair"	L	IO-550-B (TCM)	OBSOLETE	3A32C76/82NB-2	80.0	78.5	30		13.3		29.0	D-3584 D-3584-2	S S,E		SA2200SW D'Shannon	1

Constant Speed Propeller Applications

Aircraft		Engine		Part Number	Model	Diameter		Ref		Blade Angles			Spinner		Governors	STC Number STC Holder STC Kit P/N	Notes
Model	TYPE	Model (Make)	Model			Max	Min	Sta	Rev	Low or Flight Idle	Latch or Start Locks	High or Feather	Assembly P/N	Type			
35-A33 "Debonair"	L	IO-550-B (TCM)	P4065195-02 P4067482-52 P4067482-54	3A32C406/82NDB-2	80.0	78.5	30			13.3		29.0	D-5541 D-5259	P P		SA2200SW D'Shannon	29
35-A33 "Debonair"	L	IO-550-B (TCM)	P4097757-52	D3A32C409/82NDB-2	80.0	78.5	30			13.7		28.8	D-5541	P		SA2200SW D'Shannon	29
35-B33 "Debonair"	L	IO-470-C (TCM)	OBSOLETE	2A36C23/84B-0	84.0	82.0	30			13.0		29.7	D-3290	S		SA5527SW D'Shannon	1 55
35-B33 "Debonair"	L	IO-470-C (TCM)	P2235197-53	2A37C223/90RB-6	84.0	82.0	30			13.0		29.7	D-3290 D-3290-2	S S,E		SA5527SW D'Shannon	55
35-B33 "Debonair"	L	IO-470-C (TCM)	P4237482-52	3A34C423/90DFA-10	80.0	78.0	30			11.0		29.0	D-3600 D-3584 D-5541	S S P		SA5527SW D'Shannon	55 82
35-B33 "Debonair"	L	IO-470-C (TCM)	P4347482-01	3A36C434/80VEA-0	80.0	78.0	30			10.8		33.9	D-3600	S		SA5527SW D'Shannon	55
35-B33 "Debonair"	L	IO-470-J (TCM)	P4237482-53	3A34C423/90DFA-10	80.0	78.0	30			8.8		29.0	D-3600 D-3584 D-5541	S S P	C290D3/T35	SA1691GL D'Shannon	55 82
35-B33 "Debonair"	L	IO-470-K (TCM)	OBSOLETE	2A36C23/84B-0	84.0	82.0	30			12.0		29.7	D-3290 D-3290-2	S S,E			1 55
35-B33 "Debonair"	L	IO-470-K (TCM)	P2235197-51	2A37C223/90RB-6	84.0	82.0	30			12.0		29.7	D-3290 D-3290-2 D-7587 D-7587-2	S S,E P P,E	C290D3/T35	SA1489GL McCauley PL60298 PL60299 PL60308 PL60309	55
35-B33 "Debonair"	L	IO-470-K (TCM)	P4237482-53	3A34C423/90DFA-10	80.0	78.0	30			8.8		29.0	D-3600 D-3584 D-5541	S S P	C290D3/T35	SA1691GL D'Shannon	55 82
35-B33 "Debonair"	L	IO-470-K (TCM)	P4347482-01	3A36C434/80VEA-0	80.0	78.0	30			10.8		33.9	D-3600 D-7062	S P	C290D3/T35	SA00718CH McCauley PL60219 PL60250 PL60223 PL60251	55
35-B33 "Debonair"	L	IO-470-N (TCM)	OBSOLETE	2A36C23/84B-0	84.0	82.0	30			13.3		29.7	D-3290	S		SA5527SW D'Shannon	1 55
35-B33 "Debonair"	L	IO-470-N (TCM)	P2235197-54	2A37C223/90RB-6	84.0	82.0	30			13.3		29.7	D-3290 D-3290-2	S S,E		SA5527SW D'Shannon	55
35-B33 "Debonair"	L	IO-470-N (TCM)	P4237482-54	3A34C423/90DFA-10	80.0	78.0	30			11.8		29.0	D-3600 D-3584 D-5541	S S P		SA5527SW D'Shannon	55 82
35-B33 "Debonair"	L	IO-470-N (TCM)	P4347482-01	3A36C434/80VEA-0	80.0	78.0	30			10.8		33.9	D-3600	S		SA5527SW D'Shannon	55
35-B33 "Debonair"	L	IO-520-B (TCM)	OBSOLETE	2A36C23/84B-0	84.0	82.0	30			13.3		29.7	D-3396 D-3396-2 D-2822	S S,E S		SA2200SW D'Shannon	1
35-B33 "Debonair"	L	IO-520-B (TCM)	P2235197-54	2A37C223/90RB-6	84.0	82.0	30			13.3		29.7	D-3396 D-3396-2	S S,E		SA2200SW D'Shannon	
35-B33 "Debonair"	L	IO-520-B (TCM)	P4065195-02 P4067482-52 P4067482-54	3A32C406/82NDB-2	80.0	78.5	30			13.3		29.0	D-5541 D-5259	P P		SA2200SW D'Shannon	29

Constant Speed Propeller Applications

Aircraft		Engine		Model	Diameter		Ref		Blade Angles			Spinner		Governors	STC Number STC Holder STC Kit P/N	Notes
Model	T Y P E	Model (Make)	Part Number		Max	Min	Sta	Rev	Low or Flight Idle	Latch or Start Locks	High or Feather	Assembly P/N	T y p e			
35-B33 "Debonair"	L	IO-520-BA (TCM)	OBSOLETE	2A36C23/84B-0	84.0	82.0	30		13.3		29.7	D-3396 D-3396-2 D-2822	S S,E S		SA2200SW D'Shannon	1
35-B33 "Debonair"	L	IO-520-BA (TCM)	P2235197-54	2A37C223/90RB-6	84.0	82.0	30		13.3		29.7	D-3396 D-3396-2	S S,E		SA2200SW D'Shannon	
35-B33 "Debonair"	L	IO-520-BA (TCM)	P4065195-02 P4067482-52 P4067482-54	3A32C406/82NDB-2	80.0	78.5	30		13.3		29.0	D-5541 D-5259	P P		SA2200SW D'Shannon	29
35-B33 "Debonair"	L	IO-520-BB (TCM)	OBSOLETE	2A36C23/84B-0	84.0	82.0	30		13.3		29.7	D-3396 D-3396-2 D-2822	S S,E S		SA2200SW D'Shannon	1
35-B33 "Debonair"	L	IO-520-BB (TCM)	P2235197-54	2A37C223/90RB-6	84.0	82.0	30		13.3		29.7	D-3396 D-3396-2	S S,E		SA2200SW D'Shannon	
35-B33 "Debonair"	L	IO-520-BB (TCM)	P4065195-02 P4067482-52 P4067482-54	3A32C406/82NDB-2	80.0	78.5	30		13.3		29.0	D-5541 D-5259	P P		SA2200SW D'Shannon	29
35-B33 "Debonair"	L	IO-550-B (TCM)	OBSOLETE	3A32C76/82NB-2	80.0	78.5	30		13.3		29.0	D-3584 D-3584-2	S S,E		SA2200SW D'Shannon	1
35-B33 "Debonair"	L	IO-550-B (TCM)	P4065195-02 P4067482-52 P4067482-54	3A32C406/82NDB-2	80.0	78.5	30		13.3		29.0	D-5541 D-5259	P P		SA2200SW D'Shannon	29
35-B33 "Debonair"	L	IO-550-B (TCM)	P4097757-52	D3A32C409/82NDB-2	80.0	78.5	30		13.7		28.8	D-5541	P		SA2200SW D'Shannon	29
35-C33 "Debonair"	L	IO-470-C (TCM)	OBSOLETE	2A36C23/84B-0	84.0	82.0	30		13.0		29.7	D-3290	S		SA5527SW D'Shannon	1 55
35-C33 "Debonair"	L	IO-470-C (TCM)	P2235197-53	2A37C223/90RB-6	84.0	82.0	30		13.0		29.7	D-3290 D-3290-2	S S,E		SA5527SW D'Shannon	55
35-C33 "Debonair"	L	IO-470-C (TCM)	P4237482-52	3A34C423/90DFA-10	80.0	78.0	30		11.0		29.0	D-3600 D-3584 D-5541	S S P		SA5527SW D'Shannon	55 82
35-C33 "Debonair"	L	IO-470-C (TCM)	P4347482-01	3A36C434/80VEA-0	80.0	78.0	30		10.8		33.9	D-3600	S		SA5527SW D'Shannon	55
35-C33 "Debonair"	L	IO-470-K (TCM)	OBSOLETE	2A36C23/84B-0	84.0	82.0	30		12.0		29.7	D-3290 D-3290-2	S S,E			1 55
35-C33 "Debonair"	L	IO-470-K (TCM)	P2235197-51	2A37C223/90RB-6	84.0	82.0	30		12.0		29.7	D-3290 D-3290-2 D-7587 D-7587-2	S S,E P P,E	C290D3/T35	SA1489GL McCauley PL60298 PL60299 PL60308 PL60309	55
35-C33 "Debonair"	L	IO-470-K (TCM)	OBSOLETE	3A32C76/82NB-2	80.0	78.5	30		12.5		29.0	D-3600 D-3600-2	S S,E			1 55
35-C33 "Debonair"	L	IO-470-K (TCM)	P4237482-53	3A34C423/90DFA-10	80.0	78.0	30		8.8		29.0	D-3600 D-3584 D-5541	S S P	C290D3/T35	SA1691GL D'Shannon	55 82
35-C33 "Debonair"	L	IO-470-K (TCM)	P4347482-01	3A36C434/80VEA-0	80.0	78.0	30		10.8		33.9	D-3600 D-7062	S P	C290D3/T35	SA00718CH McCauley PL60219 PL60250 PL60223 PL60251	55

Constant Speed Propeller Applications

Aircraft		Engine		Model	Diameter		Ref		Blade Angles			Spinner		Governors	STC Number STC Holder STC Kit P/N	Notes
Model	T Y P E	Model (Make)	Part Number		Max	Min	Sta	Rev	Low or Flight Idle	Latch or Start Locks	High or Feather	Assembly P/N	T y p e			
35-C33 "Debonair"	L	IO-470-N (TCM)	OBSOLETE	2A36C23/84B-0	84.0	82.0	30		13.3		29.2	D-3290	S		SA238GL D'Shannon	1 55
35-C33 "Debonair"	L	IO-470-N (TCM)	OBSOLETE	2A36C23/84B-0	84.0	82.0	30		13.3		29.7	D-3290	S		SA5527SW D'Shannon	1 55
35-C33 "Debonair"	L	IO-470-N (TCM)	P2235197-54	2A37C223/90RB-6	84.0	82.0	30		13.3		29.7	D-3290 D-3290-2	S S,E		SA5527SW D'Shannon	55
35-C33 "Debonair"	L	IO-470-N (TCM)	P4237482-54	3A34C423/90DFA-10	80.0	78.0	30		11.8		29.0	D-3600 D-3584 D-5541	S S P		SA5527SW D'Shannon	55 82
35-C33 "Debonair"	L	IO-470-N (TCM)	P4347482-01	3A36C434/80VEA-0	80.0	78.0	30		10.8		33.9	D-3600	S		SA5527SW D'Shannon	55
35-C33 "Debonair"	L	IO-520-B (TCM)	OBSOLETE	2A36C23/84B-0	84.0	82.0	30		13.3		29.7	D-3396 D-3396-2 D-2822	S S,E S		SA2200SW D'Shannon	1
35-C33 "Debonair"	L	IO-520-B (TCM)	P2235197-54	2A37C223/90RB-6	84.0	82.0	30		13.3		29.7	D-3396 D-3396-2	S S,E		SA2200SW D'Shannon	
35-C33 "Debonair"	L	IO-520-B (TCM)	P4065195-02 P4067482-52 P4067482-54	3A32C406/82NDB-2	80.0	78.5	30		13.3		29.0	D-5541 D-5259	P P		SA2200SW D'Shannon	29
35-C33 "Debonair"	L	IO-520-BA (TCM)	OBSOLETE	2A36C23/84B-0	84.0	82.0	30		13.3		29.7	D-3396 D-3396-2 D-2822	S S,E S		SA2200SW D'Shannon	1
35-C33 "Debonair"	L	IO-520-BA (TCM)	P2235197-54	2A37C223/90RB-6	84.0	82.0	30		13.3		29.7	D-3396 D-3396-2	S S,E		SA2200SW D'Shannon	
35-C33 "Debonair"	L	IO-520-BA (TCM)	P4065195-02 P4067482-52 P4067482-54	3A32C406/82NDB-2	80.0	78.5	30		13.3		29.0	D-5541 D-5259	P P		SA2200SW D'Shannon	29
35-C33 "Debonair"	L	IO-520-BB (TCM)	OBSOLETE	2A36C23/84B-0	84.0	82.0	30		13.3		29.7	D-3396 D-3396-2 D-2822	S S,E S		SA2200SW D'Shannon	1
35-C33 "Debonair"	L	IO-520-BB (TCM)	P2235197-54	2A37C223/90RB-6	84.0	82.0	30		13.3		29.7	D-3396 D-3396-2	S S,E		SA2200SW D'Shannon	
35-C33 "Debonair"	L	IO-520-BB (TCM)	P4065195-02 P4067482-52 P4067482-54	3A32C406/82NDB-2	80.0	78.5	30		13.3		29.0	D-5541 D-5259	P P		SA2200SW D'Shannon	29
35-C33 "Debonair"	L	IO-550-B (TCM)	OBSOLETE	3A32C76/82NB-2	80.0	78.5	30		13.3		29.0	D-3584 D-3584-2	S S,E		SA2200SW D'Shannon	1
35-C33 "Debonair"	L	IO-550-B (TCM)	P4065195-02 P4067482-52 P4067482-54	3A32C406/82NDB-2	80.0	78.5	30		13.3		29.0	D-5541 D-5259	P P		SA2200SW D'Shannon	29
35-C33 "Debonair"	L	IO-550-B (TCM)	P4097757-52	D3A32C409/82NDB-2	80.0	78.5	30		13.7		28.8	D-5541	P		SA2200SW D'Shannon	29
35-C33A "Debonair"	L	IO-520-B (TCM)	OBSOLETE	2A36C23/84B-0	84.0	82.0	30		13.3		29.7	D-3396 D-3396-2 D-2822	S S,E S			1
35-C33A "Debonair"	L	IO-520-B (TCM)	OBSOLETE	2A36C23/84B-0	84.0	82.0	30		13.3		29.7	D-3396 D-3396-2 D-2822	S S,E S		SA2200SW D'Shannon	1

Constant Speed Propeller Applications

Aircraft		Engine		Part Number	Model	Diameter		Ref		Blade Angles			Spinner		Governors	STC Number STC Holder STC Kit P/N	Notes
Model	TYPE	Model (Make)	Model			Max	Min	Sta	Rev	Low or Flight Idle	Latch or Start Locks	High or Feather	Assembly P/N	Type			
35-C33A "Debonair"	L	IO-520-B (TCM)	P2235197-54	2A37C223/90RB-6	84.0	82.0	30			13.3		29.7	D-3396 D-3396-2 D-5255 D-5255-2	S S,E P P,E	C290D3/T23	SA1489GL McCauley PL60306 PL60307 PL60316 PL60317	
35-C33A "Debonair"	L	IO-520-B (TCM)	P2235197-54	2A37C223/90RB-6	84.0	82.0	30			13.3		29.7	D-3396 D-3396-2	S S,E		SA2200SW D'Shannon	
35-C33A "Debonair"	L	IO-520-B (TCM)	OBSOLETE	3A32C76/82NB-2	80.0	78.5	30			13.3		29.0	D-3584 D-3584-2	S S,E			1
35-C33A "Debonair"	L	IO-520-B (TCM)	P4065195-02 P4067482-52 P4067482-54	3A32C406/82NDB-2	80.0	78.5	30			13.3		29.0	D-5541 D-5259	P P		SA1166GL D'Shannon	29
35-C33A "Debonair"	L	IO-520-BA (TCM)	OBSOLETE	2A36C23/84B-0	84.0	82.0	30			13.3		29.7	D-3396 D-3396-2 D-2822	S S,E S			1
35-C33A "Debonair"	L	IO-520-BA (TCM)	OBSOLETE	2A36C23/84B-0	84.0	82.0	30			13.3		29.7	D-3396 D-3396-2 D-2822	S S,E S		SA2200SW D'Shannon	1
35-C33A "Debonair"	L	IO-520-BA (TCM)	P2235197-54	2A37C223/90RB-6	84.0	82.0	30			13.3		29.7	D-3396 D-3396-2 D-5255 D-5255-2	S S,E P P,E	C290D3/T23	SA1489GL McCauley PL60306 PL60307 PL60316 PL60317	
35-C33A "Debonair"	L	IO-520-BA (TCM)	P2235197-54	2A37C223/90RB-6	84.0	82.0	30			13.3		29.7	D-3396 D-3396-2	S S,E		SA2200SW D'Shannon	
35-C33A "Debonair"	L	IO-520-BA (TCM)	OBSOLETE	3A32C76/82NB-2	80.0	78.5	30			13.3		29.0	D-3584 D-3584-2	S S,E			1
35-C33A "Debonair"	L	IO-520-BA (TCM)	P4065195-02 P4067482-52 P4067482-54	3A32C406/82NDB-2	80.0	78.5	30			13.3		29.0	D-5541 D-5259	P P		SA1166GL D'Shannon	29
35-C33A "Debonair"	L	IO-520-BB (TCM)	OBSOLETE	2A36C23/84B-0	84.0	82.0	30			13.3		29.7	D-3396 D-3396-2 D-2822	S S,E S			1
35-C33A "Debonair"	L	IO-520-BB (TCM)	OBSOLETE	2A36C23/84B-0	84.0	82.0	30			13.3		29.7	D-3396 D-3396-2 D-2822	S S,E S		SA2200SW D'Shannon	1
35-C33A "Debonair"	L	IO-520-BB (TCM)	P2235197-54	2A37C223/90RB-6	84.0	82.0	30			13.3		29.7	D-3396 D-3396-2 D-5255 D-5255-2	S S,E P P,E	C290D3/T23	SA1489GL McCauley PL60306 PL60307 PL60316 PL60317	
35-C33A "Debonair"	L	IO-520-BB (TCM)	P2235197-54	2A37C223/90RB-6	84.0	82.0	30			13.3		29.7	D-3396 D-3396-2	S S,E		SA2200SW D'Shannon	
35-C33A "Debonair"	L	IO-520-BB (TCM)	OBSOLETE	3A32C76/82NB-2	80.0	78.5	30			13.3		29.0	D-3584 D-3584-2	S S,E			1
35-C33A "Debonair"	L	IO-520-BB (TCM)	P4065195-02 P4067482-52 P4067482-54	3A32C406/82NDB-2	80.0	78.5	30			13.3		29.0	D-5541 D-5259	P P		SA1166GL D'Shannon	29

Constant Speed Propeller Applications

Aircraft		Engine		Model	Diameter		Ref		Blade Angles			Spinner		Governors	STC Number STC Holder STC Kit P/N	Notes
Model	Type	Model (Make)	Part Number		Max	Min	Sta	Rev	Low or Flight Idle	Latch or Start Locks	High or Feather	Assembly P/N	Type			
35-C33A "Debonair"	L	IO-550-B (STC)	OBSOLETE	3A32C76/82NB-2	80.0	78.0	30								SA5223NM Tornado Alley Turbo	29 93
35-C33A "Debonair"	L	IO-550-B (TCM)	OBSOLETE	D3A32C76/82NB-2	80.0	78.5	30		13.3		29.0	D-3584 D-3600	S S	C290D3/T23	SA09619SC Hammock Aviation	1
35-C33A "Debonair"	L	IO-550-B (TCM)	P4065195-01 P4067482-51 P4067482-55	3A32C406/82NDB-4	78.0	77.0	30		15.8		34.9	D-7168 D-5541 D-5259	P P P	C290D3/T23	SA09619SC Hammock Aviation	29
35-C33A "Debonair"	L	IO-550-B (TCM)	P4065195-02 P4067482-52 P4067482-54	3A32C406/82NDB-2	80.0	78.5	30		13.3		29.0	D-7168 D-5541 D-5259	P P P	C290D3/T23	SA09619SC Hammock Aviation	29
35-C33A "Debonair"	L	IO-550-B (TCM)	P4097757-51 P4097757-52	D3A32C409/82NDB-2	80.0	78.5	30		13.7		28.8	D-7168 D-5541 D-5259	P P P	C290D3/T23	SA09619SC Hammock Aviation	29
35-C33A "Debonair"	L	IO-550-B (STC)		D3A32C409/82NDB-2	80.0	78.0	30								SA5223NM Tornado Alley Turbo	29 93
E33 "Bonanza"	L	IO-550-B (TCM)	P4097757-52	D3A32C409/82NDB-2	80.0	78.5	30		13.7		28.8	D-5541	P		SA2200SW D'Shannon	29
E33 "Bonanza"	L	IO-470-C (TCM)	OBSOLETE	2A36C23/84B-0	84.0	82.0	30		13.0		29.7	D-3290	S		SA5527SW D'Shannon	1 55
E33 "Bonanza"	L	IO-470-C (TCM)	P2235197-53	2A37C223/90RB-6	84.0	82.0	30		13.0		29.7	D-3290 D-3290-2	S S,E		SA5527SW D'Shannon	55
E33 "Bonanza"	L	IO-470-C (TCM)	P4237482-52	3A34C423/90DFA-10	80.0	78.0	30		11.0		29.0	D-3600 D-3584 D-5541	S S P		SA5527SW D'Shannon	55 82
E33 "Bonanza"	L	IO-470-C (TCM)	P4347482-01	3A36C434/80VEA-0	80.0	78.0	30		10.8		33.9	D-3600	S		SA5527SW D'Shannon	55
E33 "Bonanza"	L	IO-470-K (TCM)	OBSOLETE	2A36C23/84B-0	84.0	82.0	30		12.0		29.7	D-3290 D-3290-2	S S,E			1 55
E33 "Bonanza"	L	IO-470-K (TCM)	P2235197-51	2A37C223/90RB-6	84.0	82.0	30		12.0		29.7	D-3290 D-3290-2 D-7587 D-7587-2	S S,E P P,E	C290D3/T35	SA1489GL McCauley PL60298 PL60299 PL60308 PL60309	55
E33 "Bonanza"	L	IO-470-K (TCM)	P4237482-53	3A34C423/90DFA-10	80.0	78.0	30		8.8		29.0	D-3600 D-3584 D-5541	S S P	C290D3/T35	SA1691GL D'Shannon	55 82
E33 "Bonanza"	L	IO-470-K (TCM)	P4347482-01	3A36C434/80VEA-0	80.0	78.0	30		10.8		33.9	D-3600 D-7062	S P	C290D3/T35	SA00718CH McCauley PL60219 PL60250 PL60223 PL60251	55
E33 "Bonanza"	L	IO-470-N (TCM)	OBSOLETE	2A36C23/84B-0	84.0	82.0	30		13.3		29.2	D-3290	S		SA238GL D'Shannon	1 55
E33 "Bonanza"	L	IO-470-N (TCM)	OBSOLETE	2A36C23/84B-0	84.0	82.0	30		13.3		29.7	D-3290	S		SA5527SW D'Shannon	1 55
E33 "Bonanza"	L	IO-470-N (TCM)	P2235197-54	2A37C223/90RB-6	84.0	82.0	30		13.3		29.7	D-3290 D-3290-2	S S,E		SA5527SW D'Shannon	55

Constant Speed Propeller Applications

Aircraft		Engine			Diameter		Ref		Blade Angles			Spinner		Governors	STC Number STC Holder STC Kit P/N	Notes
Model	TYPE	Model (Make)	Part Number	Model	Max	Min	Sta	Rev	Low or Flight Idle	Latch or Start Locks	High or Feather	Assembly P/N	Type			
E33 "Bonanza"	L	IO-470-N (TCM)	P4237482-54	3A34C423/90DFA-10	80.0	78.0	30		11.8		29.0	D-3600 D-3584 D-5541	S S P		SA5527SW D'Shannon	55 82
E33 "Bonanza"	L	IO-470-N (TCM)	P4347482-01	3A36C434/80VEA-0	80.0	78.0	30		10.8		33.9	D-3600	S		SA5527SW D'Shannon	55
E33 "Bonanza"	L	IO-520-B (TCM)	OBSOLETE	2A36C23/84B-0	84.0	82.0	30		13.3		29.7	D-3396 D-3396-2 D-2822	S S,E S		SA2200SW D'Shannon	1
E33 "Bonanza"	L	IO-520-B (TCM)	P2235197-54	2A37C223/90RB-6	84.0	82.0	30		13.3		29.7	D-3396 D-3396-2	S S,E		SA2200SW D'Shannon	
E33 "Bonanza"	L	IO-520-B (TCM)	P4065195-02 P4067482-52 P4067482-54	3A32C406/82NDB-2	80.0	78.5	30		13.3		29.0	D-5541 D-5259	P P		SA2200SW D'Shannon	29
E33 "Bonanza"	L	IO-520-BA (TCM)	OBSOLETE	2A36C23/84B-0	84.0	82.0	30		13.3		29.7	D-3396 D-3396-2 D-2822	S S,E S		SA2200SW D'Shannon	1
E33 "Bonanza"	L	IO-520-BA (TCM)	P2235197-54	2A37C223/90RB-6	84.0	82.0	30		13.3		29.7	D-3396 D-3396-2	S S,E		SA2200SW D'Shannon	
E33 "Bonanza"	L	IO-520-BA (TCM)	P4065195-02 P4067482-52 P4067482-54	3A32C406/82NDB-2	80.0	78.5	30		13.3		29.0	D-5541 D-5259	P P		SA2200SW D'Shannon	29
E33 "Bonanza"	L	IO-520-BB (TCM)	OBSOLETE	2A36C23/84B-0	84.0	82.0	30		13.3		29.7	D-3396 D-3396-2 D-2822	S S,E S		SA2200SW D'Shannon	1
E33 "Bonanza"	L	IO-520-BB (TCM)	P2235197-54	2A37C223/90RB-6	84.0	82.0	30		13.3		29.7	D-3396 D-3396-2	S S,E		SA2200SW D'Shannon	
E33 "Bonanza"	L	IO-520-BB (TCM)	P4065195-02 P4067482-52 P4067482-54	3A32C406/82NDB-2	80.0	78.5	30		13.3		29.0	D-5541 D-5259	P P		SA2200SW D'Shannon	29
E33 "Bonanza"	L	IO-550-B (TCM)	OBSOLETE	3A32C76/82NB-2	80.0	78.5	30		13.3		29.0	D-3584 D-3584-2	S S,E		SA2200SW D'Shannon	1
E33 "Bonanza"	L	IO-550-B (TCM)	P4065195-02 P4067482-52 P4067482-54	3A32C406/82NDB-2	80.0	78.5	30		13.3		29.0	D-5541 D-5259	P P		SA2200SW D'Shannon	29
E33A "Bonanza"	L	IO-520-B (TCM)	OBSOLETE	2A36C23/84B-0	84.0	82.0	30		13.3		29.7	D-3396 D-3396-2 D-2822	S S,E S			1
E33A "Bonanza"	L	IO-520-B (TCM)	OBSOLETE	2A36C23/84B-0	84.0	82.0	30		13.3		29.7	D-3396 D-3396-2 D-2822	S S,E S		SA2200SW D'Shannon	1
E33A "Bonanza"	L	IO-520-B (TCM)	P2235197-54	2A37C223/90RB-6	84.0	82.0	30		13.3		29.7	D-3396 D-3396-2 D-5255 D-5255-2	S S,E P P,E	C290D3/T23	SA1489GL McCauley PL60306 PL60307 PL60316 PL60317	
E33A "Bonanza"	L	IO-520-B (TCM)	P2235197-54	2A37C223/90RB-6	84.0	82.0	30		13.3		29.7	D-3396 D-3396-2	S S,E		SA2200SW D'Shannon	
E33A "Bonanza"	L	IO-520-B (TCM)	OBSOLETE	3A32C76/82NB-2	80.0	78.5	30		13.3		29.0	D-3584 D-3584-2	S S,E			1

Constant Speed Propeller Applications

Aircraft		Engine		Part Number	Model	Diameter		Ref		Blade Angles			Spinner		Governors	STC Number STC Holder STC Kit P/N	Notes	
Model	TYPE	Model (Make)	Model			Max	Min	Sta	Rev	Low or Flight Idle	Latch or Start Locks	High or Feather	Assembly P/N	Type				
E33A "Bonanza"	L	IO-520-B (TCM)	P4065195-02 P4067482-52 P4067482-54	3A32C406/82NDB-2	80.0	78.5	30			13.3		29.0	D-5541 D-5259	P P		SA1166GL D'Shannon	29	
E33A "Bonanza"	L	IO-520-BA (TCM)	OBSOLETE	2A36C23/84B-0	84.0	82.0	30			13.3		29.7	D-3396 D-3396-2 D-2822	S S,E S			1	
E33A "Bonanza"	L	IO-520-BA (TCM)	OBSOLETE	2A36C23/84B-0	84.0	82.0	30			13.3		29.7	D-3396 D-3396-2 D-2822	S S,E S		SA2200SW D'Shannon	1	
E33A "Bonanza"	L	IO-520-BA (TCM)	P2235197-54	2A37C223/90RB-6	84.0	82.0	30			13.3		29.7	D-3396 D-3396-2 D-5255 D-5255-2	S S,E P P,E	C290D3/T23	SA1489GL McCauley PL60306 PL60307 PL60316 PL60317		
E33A "Bonanza"	L	IO-520-BA (TCM)	P2235197-54	2A37C223/90RB-6	84.0	82.0	30			13.3		29.7	D-3396 D-3396-2	S S,E		SA2200SW D'Shannon		
E33A "Bonanza"	L	IO-520-BA (TCM)	OBSOLETE	3A32C76/82NB-2	80.0	78.5	30			13.3		29.0	D-3584 D-3584-2	S S,E			1	
E33A "Bonanza"	L	IO-520-BA (TCM)	P4065195-02 P4067482-52 P4067482-54	3A32C406/82NDB-2	80.0	78.5	30			13.3		29.0	D-5541 D-5259	P P		SA1166GL D'Shannon	29	
E33A "Bonanza"	L	IO-520-BB (TCM)	OBSOLETE	2A36C23/84B-0	84.0	82.0	30			13.3		29.7	D-3396 D-3396-2 D-2822	S S,E S			1	
E33A "Bonanza"	L	IO-520-BB (TCM)	OBSOLETE	2A36C23/84B-0	84.0	82.0	30			13.3		29.7	D-3396 D-3396-2 D-2822	S S,E S		SA2200SW D'Shannon	1	
E33A "Bonanza"	L	IO-520-BB (TCM)	P2235197-54	2A37C223/90RB-6	84.0	82.0	30			13.3		29.7	D-3396 D-3396-2 D-5255 D-5255-2	S S,E P P,E	C290D3/T23	SA1489GL McCauley PL60306 PL60307 PL60316 PL60317		
E33A "Bonanza"	L	IO-520-BB (TCM)	P2235197-54	2A37C223/90RB-6	84.0	82.0	30			13.3		29.7	D-3396 D-3396-2	S S,E		SA2200SW D'Shannon		
E33A "Bonanza"	L	IO-520-BB (TCM)	OBSOLETE	3A32C76/82NB-2	80.0	78.5	30			13.3		29.0	D-3584 D-3584-2	S S,E			1	
E33A "Bonanza"	L	IO-520-BB (TCM)	P4065195-02 P4067482-52 P4067482-54	3A32C406/82NDB-2	80.0	78.5	30			13.3		29.0	D-5541 D-5259	P P		SA1166GL D'Shannon	29	
E33A "Bonanza"	L	IO-550-B (STC)	OBSOLETE	3A32C76/82NB-2	80.0	78.0	30										SA5223NM Tornado Alley Turbo	29 93
E33A "Bonanza"	L	IO-550-B (TCM)	OBSOLETE	D3A32C76/82NB-2	80.0	78.5	30			13.3		29.0	D-3584 D-3600	S S	C290D3/T23	SA09619SC Hammock Aviation	1	
E33A "Bonanza"	L	IO-550-B (TCM)	P4065195-01 P4067482-51 P4067482-55	3A32C406/82NDB-4	78.0	77.0	30			15.8		34.9	D-7168 D-5541 D-5259	P P P	C290D3/T23	SA09619SC Hammock Aviation	29	

Constant Speed Propeller Applications

Aircraft		Engine		Model	Diameter		Ref		Blade Angles			Spinner		Governors	STC Number STC Holder STC Kit P/N	Notes
Model	Type	Model (Make)	Part Number		Max	Min	Sta	Rev	Low or Flight Idle	Latch or Start Locks	High or Feather	Assembly P/N	Type			
E33A "Bonanza"	L	IO-550-B (TCM)	P4065195-02 P4067482-52 P4067482-54	3A32C406/82NDB-2	80.0	78.5	30		13.3		29.0	D-7168 D-5541 D-5259	P P P	C290D3/T23	SA09619SC Hammock Aviation	29
E33A "Bonanza"	L	IO-550-B (TCM)	P4097757-52	D3A32C409/82NDB-2	80.0	78.5	30		13.7		28.8	D-5541	P		SA2200SW D'Shannon	29
E33A "Bonanza"	L	IO-550-B (TCM)	P4097757-51 P4097757-52	D3A32C409/82NDB-2	80.0	78.5	30		13.7		28.8	D-7168 D-5541 D-5259	P P P	C290D3/T23	SA09619SC Hammock Aviation	29
E33A "Bonanza"	L	IO-550-B (STC)		D3A32C409/82NDB-2	80.0	78.0	30								SA5223NM Tornado Alley Turbo	29 93
E33C "Bonanza"	L	IO-520-B (TCM)	OBSOLETE	2A36C23/84B-0	84.0	82.0	30		13.3		29.7	D-3396 D-3396-2 D-2822	S S,E S			1
E33C "Bonanza"	L	IO-520-B (TCM)	OBSOLETE	2A36C23/84B-0	84.0	82.0	30		13.3		29.7	D-3396 D-3396-2 D-2822	S S,E S		SA2200SW D'Shannon	1
E33C "Bonanza"	L	IO-520-B (TCM)	P2235197-54	2A37C223/90RB-6	84.0	82.0	30		13.3		29.7	D-3396 D-3396-2 D-5255 D-5255-2	S S,E P P,E	C290D3/T23	SA1489GL McCauley PL60306 PL60307 PL60316 PL60317	
E33C "Bonanza"	L	IO-520-B (TCM)	P2235197-54	2A37C223/90RB-6	84.0	82.0	30		13.3		29.7	D-3396 D-3396-2	S S,E		SA2200SW D'Shannon	
E33C "Bonanza"	L	IO-520-B (TCM)	P4065195-02 P4067482-52 P4067482-54	3A32C406/82NDB-2	80.0	78.5	30		13.3		29.0	D-5541 D-5259	P P		SA1166GL D'Shannon	29
E33C "Bonanza"	L	IO-520-BA (TCM)	OBSOLETE	2A36C23/84B-0	84.0	82.0	30		13.3		29.7	D-3396 D-3396-2 D-2822	S S,E S			1
E33C "Bonanza"	L	IO-520-BA (TCM)	OBSOLETE	2A36C23/84B-0	84.0	82.0	30		13.3		29.7	D-3396 D-3396-2 D-2822	S S,E S		SA2200SW D'Shannon	1
E33C "Bonanza"	L	IO-520-BA (TCM)	P2235197-54	2A37C223/90RB-6	84.0	82.0	30		13.3		29.7	D-3396 D-3396-2 D-5255 D-5255-2	S S,E P P,E	C290D3/T23	SA1489GL McCauley PL60306 PL60307 PL60316 PL60317	
E33C "Bonanza"	L	IO-520-BA (TCM)	P2235197-54	2A37C223/90RB-6	84.0	82.0	30		13.3		29.7	D-3396 D-3396-2	S S,E		SA2200SW D'Shannon	
E33C "Bonanza"	L	IO-520-BA (TCM)	P4065195-02 P4067482-52 P4067482-54	3A32C406/82NDB-2	80.0	78.5	30		13.3		29.0	D-5541 D-5259	P P		SA1166GL D'Shannon	29
E33C "Bonanza"	L	IO-520-BB (TCM)	OBSOLETE	2A36C23/84B-0	84.0	82.0	30		13.3		29.7	D-3396 D-3396-2 D-2822	S S,E S			1
E33C "Bonanza"	L	IO-520-BB (TCM)	OBSOLETE	2A36C23/84B-0	84.0	82.0	30		13.3		29.7	D-3396 D-3396-2 D-2822	S S,E S		SA2200SW D'Shannon	1

Constant Speed Propeller Applications

Aircraft		Engine		Part Number	Model	Diameter		Ref		Blade Angles			Spinner		Governors	STC Number STC Holder STC Kit P/N	Notes
Model	TYPE	Model (Make)	Model			Max	Min	Sta	Rev	Low or Flight Idle	Latch or Start Locks	High or Feather	Assembly P/N	Type			
E33C "Bonanza"	L	IO-520-BB (TCM)	P2235197-54	2A37C223/90RB-6	84.0	82.0	30			13.3		29.7	D-3396 D-3396-2 D-5255 D-5255-2	S S,E P P,E	C290D3/T23	SA1489GL McCauley PL60306 PL60307 PL60316 PL60317	
E33C "Bonanza"	L	IO-520-BB (TCM)	P2235197-54	2A37C223/90RB-6	84.0	82.0	30			13.3		29.7	D-3396 D-3396-2	S S,E		SA2200SW D'Shannon	
E33C "Bonanza"	L	IO-520-BB (TCM)	P4065195-02 P4067482-52 P4067482-54	3A32C406/82NDB-2	80.0	78.5	30			13.3		29.0	D-5541 D-5259	P P		SA1166GL D'Shannon	29
E33C "Bonanza"	L	IO-550-B (TCM)	OBSOLETE	3A32C76/82NB-2	80.0	78.5	30			13.3		29.0	D-3584 D-3584-2	S S,E		SA2200SW D'Shannon	1
E33C "Bonanza"	L	IO-550-B (TCM)	P4065195-02 P4067482-52 P4067482-54	3A32C406/82NDB-2	80.0	78.5	30			13.3		29.0	D-5541 D-5259	P P		SA2200SW D'Shannon	29
E33C "Bonanza"	L	IO-550-B (TCM)	P4097757-52	D3A32C409/82NDB-2	80.0	78.5	30			13.7		28.8	D-5541	P		SA2200SW D'Shannon	29
E33C "Bonanza"	L	IO-550-B (TCM)	OBSOLETE	D3A32C76/82NB-2	80.0	78.5	30			13.3		29.0	D-3584 D-3600	S S	C290D3/T23	SA09619SC Hammock Aviation	1
E33C "Bonanza"	L	IO-550-B (TCM)	P4065195-01 P4067482-51 P4067482-55	3A32C406/82NDB-4	78.0	77.0	30			15.8		34.9	D-7168 D-5541 D-5259	P P P	C290D3/T23	SA09619SC Hammock Aviation	29
E33C "Bonanza"	L	IO-550-B (TCM)	P4065195-02 P4067482-52 P4067482-54	3A32C406/82NDB-2	80.0	78.5	30			13.3		29.0	D-7168 D-5541 D-5259	P P P	C290D3/T23	SA09619SC Hammock Aviation	29
E33C "Bonanza"	L	IO-550-B (TCM)	P4097757-51 P4097757-52	D3A32C409/82NDB-2	80.0	78.5	30			13.7		28.8	D-7168 D-5541 D-5259	P P P	C290D3/T23	SA09619SC Hammock Aviation	29
F33 "Bonanza"	L	IO-470-C (TCM)	OBSOLETE	2A36C23/84B-0	84.0	82.0	30			13.0		29.7	D-3290	S		SA5527SW D'Shannon	1 55
F33 "Bonanza"	L	IO-470-C (TCM)	P2235197-53	2A37C223/90RB-6	84.0	82.0	30			13.0		29.7	D-3290 D-3290-2	S S,E		SA5527SW D'Shannon	55
F33 "Bonanza"	L	IO-470-C (TCM)	P4237482-52	3A34C423/90DFA-10	80.0	78.0	30			11.0		29.0	D-3600 D-3584 D-5541	S S P		SA5527SW D'Shannon	55 82
F33 "Bonanza"	L	IO-470-C (TCM)	P4347482-01	3A36C434/80VEA-0	80.0	78.0	30			10.8		33.9	D-3600	S		SA5527SW D'Shannon	55
F33 "Bonanza"	L	IO-470-K (TCM)	OBSOLETE	2A36C23/84B-0	84.0	82.0	30			12.0		29.7	D-3290 D-3290-2	S S,E			1 55
F33 "Bonanza"	L	IO-470-K (TCM)	P2235197-51	2A37C223/90RB-6	84.0	82.0	30			12.0		29.7	D-3290 D-3290-2 D-7587 D-7587-2	S S,E P P,E	C290D3/T35	SA1489GL McCauley PL60298 PL60299 PL60308 PL60309	55
F33 "Bonanza"	L	IO-470-K (TCM)	P4237482-53	3A34C423/90DFA-10	80.0	78.0	30			8.8		29.0	D-3600 D-3584 D-5541	S S P	C290D3/T35	SA1691GL D'Shannon	55 82

Constant Speed Propeller Applications

Aircraft		Engine			Diameter		Ref	Blade Angles				Spinner		Governors	STC Number STC Holder STC Kit P/N	Notes
Model	TYPE	Model (Make)	Part Number	Model	Max	Min	Sta	Rev	Low or Flight Idle	Latch or Start Locks	High or Feather	Assembly P/N	Type			
F33 "Bonanza"	L	IO-470-K (TCM)	P4347482-01	3A36C434/80VEA-0	80.0	78.0	30		10.8		33.9	D-3600 D-7062	S P	C290D3/T35	SA00718CH McCauley PL60219 PL60250 PL60223 PL60251	55
F33 "Bonanza"	L	IO-470-N (TCM)	OBSOLETE	2A36C23/84B-0	84.0	82.0	30		13.3		29.2	D-3290	S		SA238GL D'Shannon	1 55
F33 "Bonanza"	L	IO-470-N (TCM)	OBSOLETE	2A36C23/84B-0	84.0	82.0	30		13.3		29.7	D-3290	S		SA5527SW D'Shannon	1 55
F33 "Bonanza"	L	IO-470-N (TCM)	P2235197-54	2A37C223/90RB-6	84.0	82.0	30		13.3		29.7	D-3290 D-3290-2	S S,E		SA5527SW D'Shannon	55
F33 "Bonanza"	L	IO-470-N (TCM)	P4237482-54	3A34C423/90DFA-10	80.0	78.0	30		11.8		29.0	D-3600 D-3584 D-5541	S S P		SA5527SW D'Shannon	55 82
F33 "Bonanza"	L	IO-470-N (TCM)	P4347482-01	3A36C434/80VEA-0	80.0	78.0	30		10.8		33.9	D-3600	S		SA5527SW D'Shannon	55
F33 "Bonanza"	L	IO-520-B (TCM)	OBSOLETE	2A36C23/84B-0	84.0	82.0	30		13.3		29.7	D-3396 D-3396-2 D-2822	S S,E S		SA2200SW D'Shannon	1
F33 "Bonanza"	L	IO-520-B (TCM)	P2235197-54	2A37C223/90RB-6	84.0	82.0	30		13.3		29.7	D-3396 D-3396-2	S S,E		SA2200SW D'Shannon	
F33 "Bonanza"	L	IO-520-B (TCM)	P4065195-02 P4067482-52 P4067482-54	3A32C406/82NDB-2	80.0	78.5	30		13.3		29.0	D-5541 D-5259	P P		SA2200SW D'Shannon	29
F33 "Bonanza"	L	IO-520-BA (TCM)	OBSOLETE	2A36C23/84B-0	84.0	82.0	30		13.3		29.7	D-3396 D-3396-2 D-2822	S S,E S		SA2200SW D'Shannon	1
F33 "Bonanza"	L	IO-520-BA (TCM)	P2235197-54	2A37C223/90RB-6	84.0	82.0	30		13.3		29.7	D-3396 D-3396-2	S S,E		SA2200SW D'Shannon	
F33 "Bonanza"	L	IO-520-BA (TCM)	P4065195-02 P4067482-52 P4067482-54	3A32C406/82NDB-2	80.0	78.5	30		13.3		29.0	D-5541 D-5259	P P		SA2200SW D'Shannon	29
F33 "Bonanza"	L	IO-520-BB (TCM)	OBSOLETE	2A36C23/84B-0	84.0	82.0	30		13.3		29.7	D-3396 D-3396-2 D-2822	S S,E S		SA2200SW D'Shannon	1
F33 "Bonanza"	L	IO-520-BB (TCM)	P2235197-54	2A37C223/90RB-6	84.0	82.0	30		13.3		29.7	D-3396 D-3396-2	S S,E		SA2200SW D'Shannon	
F33 "Bonanza"	L	IO-520-BB (TCM)	P4065195-02 P4067482-52 P4067482-54	3A32C406/82NDB-2	80.0	78.5	30		13.3		29.0	D-5541 D-5259	P P		SA2200SW D'Shannon	29
F33 "Bonanza"	L	IO-550-B (TCM)	OBSOLETE	3A32C76/82NB-2	80.0	78.5	30		13.3		29.0	D-3584 D-3584-2	S S,E		SA2200SW D'Shannon	1
F33 "Bonanza"	L	IO-550-B (TCM)	P4065195-02 P4067482-52 P4067482-54	3A32C406/82NDB-2	80.0	78.5	30		13.3		29.0	D-5541 D-5259	P P		SA2200SW D'Shannon	29
F33 "Bonanza"	L	IO-550-B (TCM)	P4097757-52	D3A32C409/82NDB-2	80.0	78.5	30		13.7		28.8	D-5541	P		SA2200SW D'Shannon	29
F33A "Bonanza"	L	IO-520-B (TCM)	OBSOLETE	2A36C23/84B-0	84.0	82.0	30		13.3		29.7	D-3396 D-3396-2 D-2822	S S,E S	C290D3/T23		1

Constant Speed Propeller Applications

Aircraft		Engine			Diameter		Ref	Blade Angles				Spinner		Governors	STC Number STC Holder STC Kit P/N	Notes
Model	T Y P E	Model (Make)	Part Number	Model	Max	Min	Sta	Rev	Low or Flight Idle	Latch or Start Locks	High or Feather	Assembly P/N	T y p e			
F33A "Bonanza"	L	IO-520-B (TCM)	P2235197-54	2A37C223/90RB-6	84.0	82.0	30		13.3		29.7	D-3396 D-3396-2 D-5255 D-5255-2	S S,E P P,E	C290D3/T23	SA1489GL McCauley PL60306 PL60307 PL60316 PL60317	
F33A "Bonanza"	L	IO-520-B (TCM)	P2235197-54	2A37C223/90RB-6	84.0	82.0	30		13.3		29.7	D-3396 D-3396-2	S S,E		SA2200SW D'Shannon	
F33A "Bonanza"	L	IO-520-B (TCM)	OBSOLETE	3A32C76/82NB-2	80.0	78.5	30		13.3		29.0	D-3584 D-3584-2	S S,E	C290D3/T23		1
F33A "Bonanza"	L	IO-520-B (TCM)	P4065195-02 P4067482-52 P4067482-54	3A32C406/82NDB-2	80.0	78.5	30		13.3		29.0	D-5541 D-5259	P P		SA1166GL D'Shannon	29
F33A "Bonanza"	L	IO-520-BA (TCM)	OBSOLETE	2A36C23/84B-0	84.0	82.0	30		13.3		29.7	D-3396 D-3396-2 D-2822	S S,E S	C290D3/T23		1
F33A "Bonanza"	L	IO-520-BA (TCM)	P2235197-54	2A37C223/90RB-6	84.0	82.0	30		13.3		29.7	D-3396 D-3396-2 D-5255 D-5255-2	S S,E P P,E	C290D3/T23	SA1489GL McCauley PL60306 PL60307 PL60316 PL60317	
F33A "Bonanza"	L	IO-520-BA (TCM)	P2235197-54	2A37C223/90RB-6	84.0	82.0	30		13.3		29.7	D-3396 D-3396-2	S S,E		SA2200SW D'Shannon	
F33A "Bonanza"	L	IO-520-BA (TCM)	OBSOLETE	3A32C76/82NB-2	80.0	78.5	30		13.3		29.0	D-3584 D-3584-2	S S,E	C290D3/T23		1
F33A "Bonanza"	L	IO-520-BA (TCM)	P4065195-02 P4067482-52 P4067482-54	3A32C406/82NDB-2	80.0	78.5	30		13.3		29.0	D-5541 D-5259	P P		SA1166GL D'Shannon	29
F33A "Bonanza"	L	IO-520-BB (TCM)	OBSOLETE	2A36C23/84B-0	84.0	82.0	30		13.3		29.7	D-3396 D-3396-2 D-2822	S S,E S	C290D3/T23		1
F33A "Bonanza"	L	IO-520-BB (TCM)	P2235197-54	2A37C223/90RB-6	84.0	82.0	30		13.3		29.7	D-3396 D-3396-2 D-5255 D-5255-2	S S,E P P,E	C290D3/T23	SA1489GL McCauley PL60306 PL60307 PL60316 PL60317	
F33A "Bonanza"	L	IO-520-BB (TCM)	P2235197-54	2A37C223/90RB-6	84.0	82.0	30		13.3		29.7	D-3396 D-3396-2	S S,E		SA2200SW D'Shannon	
F33A "Bonanza"	L	IO-520-BB (TCM)	OBSOLETE	3A32C76/82NB-2	80.0	78.5	30		13.3		29.0	D-3584 D-3584-2	S S,E	C290D3/T23		1
F33A "Bonanza"	L	IO-520-BB (TCM)	P4065195-02 P4067482-52	3A32C406/82NDB-2	80.0	78.5	30		13.3		29.0	D-7168 D-7168-2 D-5541 D-5259	P P,E P P	C290D3/T23		29
F33A "Bonanza"	L	IO-520-BB (TCM)	P4065195-02 P4067482-52 P4067482-54	3A32C406/82NDB-2	80.0	78.5	30		13.3		29.0	D-5541 D-5259	P P		SA1166GL D'Shannon	29
F33A "Bonanza"	L	IO-550-B (TCM)	OBSOLETE	3A32C76/82NB-2	80.0	78.5	30		13.3		29.0	D-3584 D-3584-2	S S,E		SA2200SW D'Shannon	1

Constant Speed Propeller Applications

Aircraft		Engine		Model	Diameter		Ref		Blade Angles			Spinner		Governors	STC Number STC Holder STC Kit P/N	Notes
Model	Type	Model (Make)	Part Number		Max	Min	Sta	Rev	Low or Flight Idle	Latch or Start Locks	High or Feather	Assembly P/N	Type			
F33A "Bonanza"	L	IO-550-B (STC)	OBSOLETE	3A32C76/82NB-2	80.0	78.0	30								SA5223NM Tornado Alley Turbo	29 93
F33A "Bonanza"	L	IO-550-B (TCM)	P4065195-02 P4067482-52 P4067482-54	3A32C406/82NDB-2	80.0	78.5	30		13.3		29.0	D-5541 D-5259	P P		SA2200SW D'Shannon	29
F33A "Bonanza"	L	IO-550-B (TCM)	OBSOLETE	D3A32C76/82NB-2	80.0	78.5	30		13.3		29.0	D-3584 D-3600	S S	C290D3/T23	SA09619SC Hammock Aviation	1
F33A "Bonanza"	L	IO-550-B (TCM)	P4065195-01 P4067482-51 P4067482-55	3A32C406/82NDB-4	78.0	77.0	30		15.8		34.9	D-7168 D-5541 D-5259	P P P	C290D3/T23	SA09619SC Hammock Aviation	29
F33A "Bonanza"	L	IO-550-B (TCM)	P4065195-02 P4067482-52 P4067482-54	3A32C406/82NDB-2	80.0	78.5	30		13.3		29.0	D-7168 D-5541 D-5259	P P P	C290D3/T23	SA09619SC Hammock Aviation	29
F33A "Bonanza"	L	IO-550-B (STC)		D3A32C409/82NDB-2	80.0	78.0	30								SA5223NM Tornado Alley Turbo	29 93
F33A "Bonanza"	L	IO-550-B (TCM)	P4097757-52	D3A32C409/82NDB-2	80.0	78.5	30		13.7		28.8				SA2682NM Flightcraft	29
F33A "Bonanza"	L	IO-550-B (TCM)	P4097757-52	D3A32C409/82NDB-2	80.0	78.5	30		13.7		28.8	D-5541	P		SA2200SW D'Shannon	29
F33A "Bonanza"	L	IO-550-B (TCM)	P4097757-51 P4097757-52	D3A32C409/82NDB-2	80.0	78.5	30		13.7		28.8	D-7168 D-5541 D-5259	P P P	C290D3/T23	SA09619SC Hammock Aviation	29
F33C "Bonanza"	L	IO-520-B (TCM)	OBSOLETE	2A36C23/84B-0	84.0	82.0	30		13.3		29.7	D-3396 D-3396-2 D-2822	S S,E S	C290D3/T23		1
F33C "Bonanza"	L	IO-520-B (TCM)	P2235197-54	2A37C223/90RB-6	84.0	82.0	30		13.3		29.7	D-3396 D-3396-2 D-5255 D-5255-2	S S,E P P,E	C290D3/T23	SA1489GL McCauley PL60306 PL60307 PL60316 PL60317	
F33C "Bonanza"	L	IO-520-B (TCM)	P2235197-54	2A37C223/90RB-6	84.0	82.0	30		13.3		29.7	D-3396 D-3396-2	S S,E		SA2200SW D'Shannon	
F33C "Bonanza"	L	IO-520-B (TCM)	OBSOLETE	3A32C76/82NB-2	80.0	78.5	30		13.3		29.0	D-3584 D-3584-2	S S,E	C290D3/T23		1
F33C "Bonanza"	L	IO-520-B (TCM)	P4065195-02 P4067482-52 P4067482-54	3A32C406/82NDB-2	80.0	78.5	30		13.3		29.0	D-5541 D-5259	P P		SA1166GL D'Shannon	29
F33C "Bonanza"	L	IO-520-BA (TCM)	OBSOLETE	2A36C23/84B-0	84.0	82.0	30		13.3		29.7	D-3396 D-3396-2 D-2822	S S,E S	C290D3/T23		1
F33C "Bonanza"	L	IO-520-BA (TCM)	P2235197-54	2A37C223/90RB-6	84.0	82.0	30		13.3		29.7	D-3396 D-3396-2 D-5255 D-5255-2	S S,E P P,E	C290D3/T23	SA1489GL McCauley PL60306 PL60307 PL60316 PL60317	
F33C "Bonanza"	L	IO-520-BA (TCM)	P2235197-54	2A37C223/90RB-6	84.0	82.0	30		13.3		29.7	D-3396 D-3396-2	S S,E		SA2200SW D'Shannon	

Constant Speed Propeller Applications

Aircraft		Engine		Model	Diameter		Ref		Blade Angles			Spinner		Governors	STC Number STC Holder STC Kit P/N	Notes
Model	TYPE	Model (Make)	Part Number		Max	Min	Sta	Rev	Low or Flight Idle	Latch or Start Locks	High or Feather	Assembly P/N	Type			
F33C "Bonanza"	L	IO-520-BA (TCM)	OBSOLETE	3A32C76/82NB-2	80.0	78.5	30		13.3		29.0	D-3584 D-3584-2	S S,E	C290D3/T23		1
F33C "Bonanza"	L	IO-520-BA (TCM)	P4065195-02 P4067482-52 P4067482-54	3A32C406/82NDB-2	80.0	78.5	30		13.3		29.0	D-5541 D-5259	P P		SA1166GL D'Shannon	29
F33C "Bonanza"	L	IO-520-BB (TCM)	OBSOLETE	2A36C23/84B-0	84.0	82.0	30		13.3		29.7	D-3396 D-3396-2 D-2822	S S,E S	C290D3/T23		1
F33C "Bonanza"	L	IO-520-BB (TCM)	P2235197-54	2A37C223/90RB-6	84.0	82.0	30		13.3		29.7	D-3396 D-3396-2 D-5255 D-5255-2	S S,E P P,E	C290D3/T23	SA1489GL McCauley PL60306 PL60307 PL60316 PL60317	
F33C "Bonanza"	L	IO-520-BB (TCM)	P2235197-54	2A37C223/90RB-6	84.0	82.0	30		13.3		29.7	D-3396 D-3396-2	S S,E		SA2200SW D'Shannon	
F33C "Bonanza"	L	IO-520-BB (TCM)	OBSOLETE	3A32C76/82NB-2	80.0	78.5	30		13.3		29.0	D-3584 D-3584-2	S S,E	C290D3/T23		1
F33C "Bonanza"	L	IO-520-BB (TCM)	P4065195-02 P4067482-52 P4067482-54	3A32C406/82NDB-2	80.0	78.5	30		13.3		29.0	D-5541 D-5259	P P		SA1166GL D'Shannon	29
F33C "Bonanza"	L	IO-550-B (TCM)	OBSOLETE	3A32C76/82NB-2	80.0	78.5	30		13.3		29.0	D-3584 D-3584-2	S S,E		SA2200SW D'Shannon	1
F33C "Bonanza"	L	IO-550-B (TCM)	P4065195-02 P4067482-52 P4067482-54	3A32C406/82NDB-2	80.0	78.5	30		13.3		29.0	D-5541 D-5259	P P		SA2200SW D'Shannon	29
F33C "Bonanza"	L	IO-550-B (TCM)	P4097757-52	D3A32C409/82NDB-2	80.0	78.5	30		13.7		28.8	D-5541	P		SA2200SW D'Shannon	29
F33C "Bonanza"	L	IO-550-B (TCM)	OBSOLETE	D3A32C76/82NB-2	80.0	78.5	30		13.3		29.0	D-3584 D-3600	S S	C290D3/T23	SA09619SC Hammock Aviation	1
F33C "Bonanza"	L	IO-550-B (TCM)	P4065195-01 P4067482-51 P4067482-55	3A32C406/82NDB-4	78.0	77.0	30		15.8		34.9	D-7168 D-5541 D-5259	P P P	C290D3/T23	SA09619SC Hammock Aviation	29
F33C "Bonanza"	L	IO-550-B (TCM)	P4065195-02 P4067482-52 P4067482-54	3A32C406/82NDB-2	80.0	78.5	30		13.3		29.0	D-7168 D-5541 D-5259	P P P	C290D3/T23	SA09619SC Hammock Aviation	29
F33C "Bonanza"	L	IO-550-B (TCM)	P4097757-51 P4097757-52	D3A32C409/82NDB-2	80.0	78.5	30		13.7		28.8	D-7168 D-5541 D-5259	P P P	C290D3/T23	SA09619SC Hammock Aviation	29
G33 "Bonanza"	L	IO-470-N (TCM)	OBSOLETE	2A36C23/84B-0	84.0	82.0	30		13.3		29.7	D-3290 D-3290-2	S S,E			1 55
G33 "Bonanza"	L	IO-470-N (TCM)	P2235197-54	2A37C223/90RB-6	84.0	82.0	30		13.3		29.7	D-3290 D-3290-2 D-7587 D-7587-2	S S,E P P,E	C290D3/T35	SA1489GL McCauley PL60304 PL60305 PL60314 PL60315	55
G33 "Bonanza"	L	IO-470-N (TCM)	P4237482-54	3A34C423/90DFA-10	80.0	78.0	30		11.8		29.0	D-3600 D-3584 D-5541	S S P	C290D3/T35	SA1691GL D'Shannon	55 82

Constant Speed Propeller Applications

Aircraft		Engine			Diameter		Ref	Blade Angles				Spinner		Governors	STC Number STC Holder STC Kit P/N	Notes
Model	TYPE	Model (Make)	Part Number	Model	Max	Min	Sta	Rev	Low or Flight Idle	Latch or Start Locks	High or Feather	Assembly P/N	Type			
G33 "Bonanza"	L	IO-470-N (TCM)	P4347482-01	3A36C434/80VEA-0	80.0	78.0	30		10.8		33.9	D-3600 D-7062	S P	C290D3/T35	SA00718CH McCauley PL60219 PL60250 PL60223 PL60251	55
G33 "Bonanza"	L	IO-520-B (TCM)	OBSOLETE	2A36C23/84B-0	84.0	82.0	30		13.3		29.7	D-3396 D-3396-2 D-2822	S S,E S		SA2200SW D'Shannon	1
G33 "Bonanza"	L	IO-520-B (TCM)	P2235197-54	2A37C223/90RB-6	84.0	82.0	30		13.3		29.7	D-3396 D-3396-2	S S,E		SA2200SW D'Shannon	
G33 "Bonanza"	L	IO-520-B (TCM)	P4065195-02 P4067482-52 P4067482-54	3A32C406/82NDB-2	80.0	78.5	30		13.3		29.0	D-5541 D-5259	P P		SA2200SW D'Shannon	29
G33 "Bonanza"	L	IO-520-BA (TCM)	OBSOLETE	2A36C23/84B-0	84.0	82.0	30		13.3		29.7	D-3396 D-3396-2 D-2822	S S,E S		SA2200SW D'Shannon	1
G33 "Bonanza"	L	IO-520-BA (TCM)	P2235197-54	2A37C223/90RB-6	84.0	82.0	30		13.3		29.7	D-3396 D-3396-2	S S,E		SA2200SW D'Shannon	
G33 "Bonanza"	L	IO-520-BA (TCM)	P4065195-02 P4067482-52 P4067482-54	3A32C406/82NDB-2	80.0	78.5	30		13.3		29.0	D-5541 D-5259	P P		SA2200SW D'Shannon	29
G33 "Bonanza"	L	IO-520-BB (TCM)	OBSOLETE	2A36C23/84B-0	84.0	82.0	30		13.3		29.7	D-3396 D-3396-2 D-2822	S S,E S		SA2200SW D'Shannon	1
G33 "Bonanza"	L	IO-520-BB (TCM)	P2235197-54	2A37C223/90RB-6	84.0	82.0	30		13.3		29.7	D-3396 D-3396-2	S S,E		SA2200SW D'Shannon	
G33 "Bonanza"	L	IO-520-BB (TCM)	P4065195-02 P4067482-52 P4067482-54	3A32C406/82NDB-2	80.0	78.5	30		13.3		29.0	D-5541 D-5259	P P		SA2200SW D'Shannon	29
G33 "Bonanza"	L	IO-550-B (TCM)	OBSOLETE	3A32C76/82NB-2	80.0	78.5	30		13.3		29.0	D-3584 D-3584-2	S S,E		SA2200SW D'Shannon	1
G33 "Bonanza"	L	IO-550-B (STC)	OBSOLETE	3A32C76/82NB-2	80.0	78.0	30								SA5223NM Tornado Alley Turbo	29 93
G33 "Bonanza"	L	IO-550-B (TCM)	P4065195-02 P4067482-52 P4067482-54	3A32C406/82NDB-2	80.0	78.5	30		13.3		29.0	D-5541 D-5259	P P		SA2200SW D'Shannon	29
G33 "Bonanza"	L	IO-550-B (TCM)	OBSOLETE	D3A32C76/82NB-2	80.0	78.5	30		13.3		29.0	D-3584 D-3600	S S	C290D3/T23	SA09619SC Hammock Aviation	1
G33 "Bonanza"	L	IO-550-B (TCM)	P4065195-01 P4067482-51 P4067482-55	3A32C406/82NDB-4	78.0	77.0	30		15.8		34.9	D-7168 D-5541 D-5259	P P P	C290D3/T23	SA09619SC Hammock Aviation	29
G33 "Bonanza"	L	IO-550-B (TCM)	P4065195-02 P4067482-52 P4067482-54	3A32C406/82NDB-2	80.0	78.5	30		13.3		29.0	D-7168 D-5541 D-5259	P P P	C290D3/T23	SA09619SC Hammock Aviation	29
G33 "Bonanza"	L	IO-550-B (TCM)	P4097757-52	D3A32C409/82NDB-2	80.0	78.5	30		13.7		28.8	D-5541	P		SA2200SW D'Shannon	29
G33 "Bonanza"	L	IO-550-B (STC)		D3A32C409/82NDB-2	80.0	78.0	30								SA5223NM Tornado Alley Turbo	29 93

Constant Speed Propeller Applications

Aircraft		Engine			Diameter		Ref		Blade Angles			Spinner		Governors	STC Number STC Holder STC Kit P/N	Notes
Model	T Y P E	Model (Make)	Part Number	Model	Max	Min	Sta	Rev	Low or Flight Idle	Latch or Start Locks	High or Feather	Assembly P/N	T y p e			
G33 "Bonanza"	L	IO-550-B (TCM)	P4097757-51 P4097757-52	D3A32C409/82NDB-2	80.0	78.5	30		13.7		28.8	D-7168 D-5541 D-5259	P P P	C290D3/T23	SA09619SC Hammock Aviation	29
A35 "Bonanza"	L	IO-470-C (TCM)	OBSOLETE	2A36C23/84B-0	84.0	82.0	30		13.0		29.2	D-3290	S		SA09603SC Hammock Aviation	1 55
A35 "Bonanza"	L	IO-470-C (TCM)	P2235197-54	2A37C223/90RB-6	84.0	82.0	30		13.3		29.7	D-3290 D-7587	S P	C290D3/T35	SA09603SC Hammock Aviation	55
A35 "Bonanza"	L	IO-470-C (TCM)	P4347482-01	3A36C434/80VEA-0	80.0	78.0	30		10.8		33.9	D-7062 D-3600	P S	C290D3/T35	SA09603SC Hammock Aviation	55
A35 "Bonanza"	L	IO-470-N (TCM)	OBSOLETE	2A36C23/84B-0	84.0	82.0	30		13.0		29.2	D-3290	S		SA09603SC Hammock Aviation	1 55
A35 "Bonanza"	L	IO-470-N (TCM)	P2235197-54	2A37C223/90RB-6	84.0	82.0	30		13.3		29.7	D-3290 D-7587	S P	C290D3/T35	SA09603SC Hammock Aviation	55
A35 "Bonanza"	L	IO-470-N (TCM)	P4347482-01	3A36C434/80VEA-0	80.0	78.0	30		10.8		33.9	D-7062 D-3600	P S	C290D3/T35	SA09603SC Hammock Aviation	55
A35 "Bonanza"	L	IO-520-B (TCM)	OBSOLETE	2A36C23/84B-0	84.0	82.0	30		13.3		29.7	D-3396 D-2822	S S		SA2200SW D'Shannon	1
A35 "Bonanza"	L	IO-520-B (TCM)	P2235197-54	2A37C223/90RB-6	84.0	82.0	30		13.3		29.7	D-3396 D-3396-2	S S,E		SA2200SW D'Shannon	
A35 "Bonanza"	L	IO-520-B (TCM)	P4065195-02 P4067482-52 P4067482-54	3A32C406/82NDB-2	80.0	78.5	30		13.3		29.0	D-5541 D-5259	P P		SA2200SW D'Shannon	29
A35 "Bonanza"	L	IO-520-BA (TCM)	OBSOLETE	2A36C23/84B-0	84.0	82.0	30		13.3		29.7	D-3396 D-2822	S S		SA2200SW D'Shannon	1
A35 "Bonanza"	L	IO-520-BA (TCM)	P2235197-54	2A37C223/90RB-6	84.0	82.0	30		13.3		29.7	D-3396 D-3396-2	S S,E		SA2200SW D'Shannon	
A35 "Bonanza"	L	IO-520-BA (TCM)	P4065195-02 P4067482-52 P4067482-54	3A32C406/82NDB-2	80.0	78.5	30		13.3		29.0	D-5541 D-5259	P P		SA2200SW D'Shannon	29
A35 "Bonanza"	L	IO-520-BB (TCM)	OBSOLETE	2A36C23/84B-0	84.0	82.0	30		13.3		29.7	D-3396 D-2822	S S		SA2200SW D'Shannon	1
A35 "Bonanza"	L	IO-520-BB (TCM)	P2235197-54	2A37C223/90RB-6	84.0	82.0	30		13.3		29.7	D-3396 D-3396-2	S S,E		SA2200SW D'Shannon	
A35 "Bonanza"	L	IO-520-BB (TCM)	P4065195-02 P4067482-52 P4067482-54	3A32C406/82NDB-2	80.0	78.5	30		13.3		29.0	D-5541 D-5259	P P		SA2200SW D'Shannon	29
A35 "Bonanza"	L	IO-550-B (TCM)	OBSOLETE	3A32C76/82NB-2	80.0	78.5	30		13.3		29.0	D-3584 D-3584-2	S S,E		SA2200SW D'Shannon	1
A35 "Bonanza"	L	IO-550-B (TCM)	P4065195-02 P4067482-52 P4067482-54	3A32C406/82NDB-2	80.0	78.5	30		13.3		29.0	D-5541 D-5259	P P		SA2200SW D'Shannon	29
A35 "Bonanza"	L	IO-550-B (TCM)	P4097757-52	D3A32C409/82NDB-2	80.0	78.5	30		13.7		28.8	D-5541	P		SA2200SW D'Shannon	29
B35 "Bonanza"	L	IO-470-C (TCM)	OBSOLETE	2A36C23/84B-0	84.0	82.0	30		13.0		29.2	D-3290	S		SA09603SC Hammock Aviation	1 55

Constant Speed Propeller Applications

Aircraft		Engine			Diameter		Ref		Blade Angles			Spinner		Governors	STC Number STC Holder STC Kit P/N	Notes
Model	TYPE	Model (Make)	Part Number	Model	Max	Min	Sta	Rev	Low or Flight Idle	Latch or Start Locks	High or Feather	Assembly P/N	Type			
B35 "Bonanza"	L	IO-470-C (TCM)	P2235197-54	2A37C223/90RB-6	84.0	82.0	30		13.3		29.7	D-3290 D-7587	S P	C290D3/T35	SA09603SC Hammock Aviation	55
B35 "Bonanza"	L	IO-470-C (TCM)	P4347482-01	3A36C434/80VEA-0	80.0	78.0	30		10.8		33.9	D-7062 D-3600	P S	C290D3/T35	SA09603SC Hammock Aviation	55
B35 "Bonanza"	L	IO-470-N (TCM)	OBSOLETE	2A36C23/84B-0	84.0	82.0	30		13.0		29.2	D-3290	S		SA09603SC Hammock Aviation	1 55
B35 "Bonanza"	L	IO-470-N (TCM)	P2235197-54	2A37C223/90RB-6	84.0	82.0	30		13.3		29.7	D-3290 D-7587	S P	C290D3/T35	SA09603SC Hammock Aviation	55
B35 "Bonanza"	L	IO-470-N (TCM)	P4347482-01	3A36C434/80VEA-0	80.0	78.0	30		10.8		33.9	D-7062 D-3600	P S	C290D3/T35	SA09603SC Hammock Aviation	55
B35 "Bonanza"	L	IO-520-B (TCM)	OBSOLETE	2A36C23/84B-0	84.0	82.0	30		13.3		29.7	D-3396 D-2822	S S		SA2200SW D'Shannon	1
B35 "Bonanza"	L	IO-520-B (TCM)	P2235197-54	2A37C223/90RB-6	84.0	82.0	30		13.3		29.7	D-3396 D-3396-2	S S,E		SA2200SW D'Shannon	
B35 "Bonanza"	L	IO-520-B (TCM)	P4065195-02 P4067482-52 P4067482-54	3A32C406/82NDB-2	80.0	78.5	30		13.3		29.0	D-5541 D-5259	P P		SA2200SW D'Shannon	29
B35 "Bonanza"	L	IO-520-BA (TCM)	OBSOLETE	2A36C23/84B-0	84.0	82.0	30		13.3		29.7	D-3396 D-2822	S S		SA2200SW D'Shannon	1
B35 "Bonanza"	L	IO-520-BA (TCM)	P2235197-54	2A37C223/90RB-6	84.0	82.0	30		13.3		29.7	D-3396 D-3396-2	S S,E		SA2200SW D'Shannon	
B35 "Bonanza"	L	IO-520-BA (TCM)	P4065195-02 P4067482-52 P4067482-54	3A32C406/82NDB-2	80.0	78.5	30		13.3		29.0	D-5541 D-5259	P P		SA2200SW D'Shannon	29
B35 "Bonanza"	L	IO-520-BB (TCM)	OBSOLETE	2A36C23/84B-0	84.0	82.0	30		13.3		29.7	D-3396 D-2822	S S		SA2200SW D'Shannon	1
B35 "Bonanza"	L	IO-520-BB (TCM)	P2235197-54	2A37C223/90RB-6	84.0	82.0	30		13.3		29.7	D-3396 D-3396-2	S S,E		SA2200SW D'Shannon	
B35 "Bonanza"	L	IO-520-BB (TCM)	P4065195-02 P4067482-52 P4067482-54	3A32C406/82NDB-2	80.0	78.5	30		13.3		29.0	D-5541 D-5259	P P		SA2200SW D'Shannon	29
B35 "Bonanza"	L	IO-550-B (TCM)	OBSOLETE	3A32C76/82NB-2	80.0	78.5	30		13.3		29.0	D-3584 D-3584-2	S S,E		SA2200SW D'Shannon	1
B35 "Bonanza"	L	IO-550-B (TCM)	P4065195-02 P4067482-52 P4067482-54	3A32C406/82NDB-2	80.0	78.5	30		13.3		29.0	D-5541 D-5259	P P		SA2200SW D'Shannon	29
B35 "Bonanza"	L	IO-550-B (TCM)	P4097757-52	D3A32C409/82NDB-2	80.0	78.5	30		13.7		28.8	D-5541	P		SA2200SW D'Shannon	29
C35 "Bonanza"	L	IO-470-C (TCM)	OBSOLETE	2A36C23/84B-0	84.0	82.0	30		13.0		29.2	D-3290	S		SA09603SC Hammock Aviation	1 55
C35 "Bonanza"	L	IO-470-C (TCM)	P2235197-54	2A37C223/90RB-6	84.0	82.0	30		13.3		29.7	D-3290 D-7587	S P	C290D3/T35	SA09603SC Hammock Aviation	55
C35 "Bonanza"	L	IO-470-C (TCM)	P4347482-01	3A36C434/80VEA-0	80.0	78.0	30		10.8		33.9	D-7062 D-3600	P S	C290D3/T35	SA09603SC Hammock Aviation	55

Constant Speed Propeller Applications

Aircraft		Engine		Model	Diameter		Ref		Blade Angles			Spinner		Governors	STC Number STC Holder STC Kit P/N	Notes
Model	TYPE	Model (Make)	Part Number		Max	Min	Sta	Rev	Low or Flight Idle	Latch or Start Locks	High or Feather	Assembly P/N	Type			
C35 "Bonanza"	L	IO-470-N (TCM)	OBSOLETE	2A36C23/84B-0	84.0	82.0	30		13.0		29.2	D-3290	S		SA09603SC Hammock Aviation	1 55
C35 "Bonanza"	L	IO-470-N (TCM)	OBSOLETE	2A36C23/84B-0	84.0	82.0	30		13.3		29.7	D-3290	S		SA2361SW D'Shannon	1 55
C35 "Bonanza"	L	IO-470-N (TCM)	P2235197-54	2A37C223/90RB-6	84.0	82.0	30		13.3		29.7	D-3290 D-7587	S P	C290D3/T35	SA09603SC Hammock Aviation	55
C35 "Bonanza"	L	IO-470-N (TCM)	P2235197-54	2A37C223/90RB-6	84.0	82.0	30		13.3		29.7	D-3290 D-3290-2	S S,E		SA2361SW D'Shannon	55
C35 "Bonanza"	L	IO-470-N (TCM)	P4347482-01	3A36C434/80VEA-0	80.0	78.0	30		10.8		33.9	D-7062 D-3600	P S	C290D3/T35	SA09603SC Hammock Aviation	55
C35 "Bonanza"	L	IO-520-B (TCM)	OBSOLETE	2A36C23/84B-0	84.0	82.0	30		13.3		29.7	D-3396 D-2822	S S		SA2200SW D'Shannon	1
C35 "Bonanza"	L	IO-520-B (TCM)	P2235197-54	2A37C223/90RB-6	84.0	82.0	30		13.3		29.7	D-3396 D-3396-2	S S,E		SA2200SW D'Shannon	
C35 "Bonanza"	L	IO-520-B (TCM)	P4065195-02 P4067482-52 P4067482-54	3A32C406/82NDB-2	80.0	78.5	30		13.3		29.0	D-5541 D-5259	P P		SA2200SW D'Shannon	29
C35 "Bonanza"	L	IO-520-BA (TCM)	OBSOLETE	2A36C23/84B-0	84.0	82.0	30		13.3		29.7	D-3396 D-2822	S S		SA2200SW D'Shannon	1
C35 "Bonanza"	L	IO-520-BA (TCM)	P2235197-54	2A37C223/90RB-6	84.0	82.0	30		13.3		29.7	D-3396 D-3396-2	S S,E		SA2200SW D'Shannon	
C35 "Bonanza"	L	IO-520-BA (TCM)	P4065195-02 P4067482-52 P4067482-54	3A32C406/82NDB-2	80.0	78.5	30		13.3		29.0	D-5541 D-5259	P P		SA2200SW D'Shannon	29
C35 "Bonanza"	L	IO-520-BB (TCM)	OBSOLETE	2A36C23/84B-0	84.0	82.0	30		13.3		29.7	D-3396 D-2822	S S		SA2200SW D'Shannon	1
C35 "Bonanza"	L	IO-520-BB (TCM)	P2235197-54	2A37C223/90RB-6	84.0	82.0	30		13.3		29.7	D-3396 D-3396-2	S S,E		SA2200SW D'Shannon	
C35 "Bonanza"	L	IO-520-BB (TCM)	P4065195-02 P4067482-52 P4067482-54	3A32C406/82NDB-2	80.0	78.5	30		13.3		29.0	D-5541 D-5259	P P		SA2200SW D'Shannon	29
C35 "Bonanza"	L	IO-550-B (TCM)	OBSOLETE	3A32C76/82NB-2	80.0	78.5	30		13.3		29.0	D-3584 D-3584-2	S S,E		SA2200SW D'Shannon	1
C35 "Bonanza"	L	IO-550-B (TCM)	P4065195-02 P4067482-52 P4067482-54	3A32C406/82NDB-2	80.0	78.5	30		13.3		29.0	D-5541 D-5259	P P		SA2200SW D'Shannon	29
C35 "Bonanza"	L	IO-550-B (TCM)	P4097757-52	D3A32C409/82NDB-2	80.0	78.5	30		13.7		28.8	D-5541	P		SA2200SW D'Shannon	29
D35 "Bonanza"	L	IO-470-C (TCM)	OBSOLETE	2A36C23/84B-0	84.0	82.0	30		13.0		29.2	D-3290	S		SA09603SC Hammock Aviation	1 55
D35 "Bonanza"	L	IO-470-C (TCM)	P2235197-54	2A37C223/90RB-6	84.0	82.0	30		13.3		29.7	D-3290 D-7587	S P	C290D3/T35	SA09603SC Hammock Aviation	55
D35 "Bonanza"	L	IO-470-C (TCM)	P4347482-01	3A36C434/80VEA-0	80.0	78.0	30		10.8		33.9	D-7062 D-3600	P S	C290D3/T35	SA09603SC Hammock Aviation	55

Constant Speed Propeller Applications

Aircraft		Engine		Model	Diameter		Ref		Blade Angles			Spinner		Governors	STC Number STC Holder STC Kit P/N	Notes
Model	TYPE	Model (Make)	Part Number		Max	Min	Sta	Rev	Low or Flight Idle	Latch or Start Locks	High or Feather	Assembly P/N	Type			
D35 "Bonanza"	L	IO-470-N (TCM)	OBSOLETE	2A36C23/84B-0	84.0	82.0	30		13.0		29.2	D-3290	S		SA09603SC Hammock Aviation	1 55
D35 "Bonanza"	L	IO-470-N (TCM)	P2235197-54	2A37C223/90RB-6	84.0	82.0	30		13.3		29.7	D-3290 D-7587	SP	C290D3/T35	SA09603SC Hammock Aviation	55
D35 "Bonanza"	L	IO-470-N (TCM)	P4347482-01	3A36C434/80VEA-0	80.0	78.0	30		10.8		33.9	D-7062 D-3600	PS	C290D3/T35	SA09603SC Hammock Aviation	55
D35 "Bonanza"	L	IO-520-B (TCM)	OBSOLETE	2A36C23/84B-0	84.0	82.0	30		13.3		29.7	D-3396 D-2822	SS		SA2200SW D'Shannon	1
D35 "Bonanza"	L	IO-520-B (TCM)	P2235197-54	2A37C223/90RB-6	84.0	82.0	30		13.3		29.7	D-3396 D-3396-2	SE		SA2200SW D'Shannon	
D35 "Bonanza"	L	IO-520-B (TCM)	P4065195-02 P4067482-52 P4067482-54	3A32C406/82NDB-2	80.0	78.5	30		13.3		29.0	D-5541 D-5259	PP		SA2200SW D'Shannon	29
D35 "Bonanza"	L	IO-520-BA (TCM)	OBSOLETE	2A36C23/84B-0	84.0	82.0	30		13.3		29.7	D-3396 D-2822	SS		SA2200SW D'Shannon	1
D35 "Bonanza"	L	IO-520-BA (TCM)	P2235197-54	2A37C223/90RB-6	84.0	82.0	30		13.3		29.7	D-3396 D-3396-2	SE		SA2200SW D'Shannon	
D35 "Bonanza"	L	IO-520-BA (TCM)	P4065195-02 P4067482-52 P4067482-54	3A32C406/82NDB-2	80.0	78.5	30		13.3		29.0	D-5541 D-5259	PP		SA2200SW D'Shannon	29
D35 "Bonanza"	L	IO-520-BB (TCM)	OBSOLETE	2A36C23/84B-0	84.0	82.0	30		13.3		29.7	D-3396 D-2822	SS		SA2200SW D'Shannon	1
D35 "Bonanza"	L	IO-520-BB (TCM)	P2235197-54	2A37C223/90RB-6	84.0	82.0	30		13.3		29.7	D-3396 D-3396-2	SE		SA2200SW D'Shannon	
D35 "Bonanza"	L	IO-520-BB (TCM)	P4065195-02 P4067482-52 P4067482-54	3A32C406/82NDB-2	80.0	78.5	30		13.3		29.0	D-5541 D-5259	PP		SA2200SW D'Shannon	29
D35 "Bonanza"	L	IO-550-B (TCM)	OBSOLETE	3A32C76/82NB-2	80.0	78.5	30		13.3		29.0	D-3584 D-3584-2	SE		SA2200SW D'Shannon	1
D35 "Bonanza"	L	IO-550-B (TCM)	P4065195-02 P4067482-52 P4067482-54	3A32C406/82NDB-2	80.0	78.5	30		13.3		29.0	D-5541 D-5259	PP		SA2200SW D'Shannon	29
D35 "Bonanza"	L	IO-550-B (TCM)	P4097757-52	D3A32C409/82NDB-2	80.0	78.5	30		13.7		28.8	D-5541	P		SA2200SW D'Shannon	29
E35 "Bonanza"	L	IO-470-C (TCM)	OBSOLETE	2A36C23/84B-0	84.0	82.0	30		13.0		29.2	D-3290	S		SA09603SC Hammock Aviation	1 55
E35 "Bonanza"	L	IO-470-C (TCM)	P2235197-54	2A37C223/90RB-6	84.0	82.0	30		13.3		29.7	D-3290 D-7587	SP	C290D3/T35	SA09603SC Hammock Aviation	55
E35 "Bonanza"	L	IO-470-C (TCM)	P4347482-01	3A36C434/80VEA-0	80.0	78.0	30		10.8		33.9	D-7062 D-3600	PS	C290D3/T35	SA09603SC Hammock Aviation	55
E35 "Bonanza"	L	IO-470-N (TCM)	OBSOLETE	2A36C23/84B-0	84.0	82.0	30		13.0		29.2	D-3290	S		SA09603SC Hammock Aviation	1 55
E35 "Bonanza"	L	IO-470-N (TCM)	P2235197-54	2A37C223/90RB-6	84.0	82.0	30		13.3		29.7	D-3290 D-7587	SP	C290D3/T35	SA09603SC Hammock Aviation	55

Constant Speed Propeller Applications

Aircraft		Engine			Diameter		Ref	Blade Angles				Spinner		Governors	STC Number STC Holder STC Kit P/N	Notes
Model	TYPE	Model (Make)	Part Number	Model	Max	Min	Sta	Rev	Low or Flight Idle	Latch or Start Locks	High or Feather	Assembly P/N	Type			
E35 "Bonanza"	L	IO-470-N (TCM)	P4347482-01	3A36C434/80VEA-0	80.0	78.0	30		10.8		33.9	D-7062 D-3600	P S	C290D3/T35	SA09603SC Hammock Aviation	55
E35 "Bonanza"	L	IO-520-B (TCM)	OBSOLETE	2A36C23/84B-0	84.0	82.0	30		13.3		29.7	D-3396 D-2822	S S		SA2200SW D'Shannon	1
E35 "Bonanza"	L	IO-520-B (TCM)	P2235197-54	2A37C223/90RB-6	84.0	82.0	30		13.3		29.7	D-3396 D-3396-2	S S,E		SA2200SW D'Shannon	
E35 "Bonanza"	L	IO-520-B (TCM)	P4065195-02 P4067482-52 P4067482-54	3A32C406/82NDB-2	80.0	78.5	30		13.3		29.0	D-5541 D-5259	P P		SA2200SW D'Shannon	29
E35 "Bonanza"	L	IO-520-BA (TCM)	OBSOLETE	2A36C23/84B-0	84.0	82.0	30		13.3		29.7	D-3396 D-2822	S S		SA2200SW D'Shannon	1
E35 "Bonanza"	L	IO-520-BA (TCM)	P2235197-54	2A37C223/90RB-6	84.0	82.0	30		13.3		29.7	D-3396 D-3396-2	S S,E		SA2200SW D'Shannon	
E35 "Bonanza"	L	IO-520-BA (TCM)	P4065195-02 P4067482-52 P4067482-54	3A32C406/82NDB-2	80.0	78.5	30		13.3		29.0	D-5541 D-5259	P P		SA2200SW D'Shannon	29
E35 "Bonanza"	L	IO-520-BB (TCM)	OBSOLETE	2A36C23/84B-0	84.0	82.0	30		13.3		29.7	D-3396 D-2822	S S		SA2200SW D'Shannon	1
E35 "Bonanza"	L	IO-520-BB (TCM)	P2235197-54	2A37C223/90RB-6	84.0	82.0	30		13.3		29.7	D-3396 D-3396-2	S S,E		SA2200SW D'Shannon	
E35 "Bonanza"	L	IO-520-BB (TCM)	P4065195-02 P4067482-52 P4067482-54	3A32C406/82NDB-2	80.0	78.5	30		13.3		29.0	D-5541 D-5259	P P		SA2200SW D'Shannon	29
E35 "Bonanza"	L	IO-550-B (TCM)	OBSOLETE	3A32C76/82NB-2	80.0	78.5	30		13.3		29.0	D-3584 D-3584-2	S S,E		SA2200SW D'Shannon	1
E35 "Bonanza"	L	IO-550-B (TCM)	P4065195-02 P4067482-52 P4067482-54	3A32C406/82NDB-2	80.0	78.5	30		13.3		29.0	D-5541 D-5259	P P		SA2200SW D'Shannon	29
E35 "Bonanza"	L	IO-550-B (TCM)	P4097757-52	D3A32C409/82NDB-2	80.0	78.5	30		13.7		28.8	D-5541	P		SA2200SW D'Shannon	29
F35 "Bonanza"	L	IO-470-C (TCM)	OBSOLETE	2A36C23/84B-0	84.0	82.0	30		13.0		29.2	D-3290	S		SA09603SC Hammock Aviation	1 55
F35 "Bonanza"	L	IO-470-C (TCM)	P2235197-54	2A37C223/90RB-6	84.0	82.0	30		13.3		29.7	D-3290 D-7587	S P	C290D3/T35	SA09603SC Hammock Aviation	55
F35 "Bonanza"	L	IO-470-C (TCM)	P4347482-01	3A36C434/80VEA-0	80.0	78.0	30		10.8		33.9	D-7062 D-3600	P S	C290D3/T35	SA09603SC Hammock Aviation	55
F35 "Bonanza"	L	IO-470-N (TCM)	OBSOLETE	2A36C23/84B-0	84.0	82.0	30		13.3		29.7	D-3290	S		SA2361SW D'Shannon	1 55
F35 "Bonanza"	L	IO-470-N (TCM)	OBSOLETE	2A36C23/84B-0	84.0	82.0	30		13.0		29.2	D-3290	S		SA09603SC Hammock Aviation	1 55
F35 "Bonanza"	L	IO-470-N (TCM)	P2235197-54	2A37C223/90RB-6	84.0	82.0	30		13.3		29.7	D-3290 D-3290-2	S S,E		SA2361SW D'Shannon	55
F35 "Bonanza"	L	IO-470-N (TCM)	P2235197-54	2A37C223/90RB-6	84.0	82.0	30		13.3		29.7	D-3290 D-7587	S P	C290D3/T35	SA09603SC Hammock Aviation	55

Constant Speed Propeller Applications

Aircraft		Engine			Diameter		Ref	Blade Angles				Spinner		Governors	STC Number STC Holder STC Kit P/N	Notes
Model	TYPE	Model (Make)	Part Number	Model	Max	Min	Sta	Rev	Low or Flight Idle	Latch or Start Locks	High or Feather	Assembly P/N	Type			
F35 "Bonanza"	L	IO-470-N (TCM)	P4347482-01	3A36C434/80VEA-0	80.0	78.0	30		10.8		33.9	D-7062 D-3600	P S	C290D3/T35	SA09603SC Hammock Aviation	55
F35 "Bonanza"	L	IO-520-B (TCM)	OBSOLETE	2A36C23/84B-0	84.0	82.0	30		13.3		29.7	D-3396 D-2822	S S		SA2200SW D'Shannon	1
F35 "Bonanza"	L	IO-520-B (TCM)	P2235197-54	2A37C223/90RB-6	84.0	82.0	30		13.3		29.7	D-3396 D-3396-2	S S,E		SA2200SW D'Shannon	
F35 "Bonanza"	L	IO-520-B (TCM)	P4065195-02 P4067482-52 P4067482-54	3A32C406/82NDB-2	80.0	78.5	30		13.3		29.0	D-5541 D-5259	P P		SA2200SW D'Shannon	29
F35 "Bonanza"	L	IO-520-BA (TCM)	OBSOLETE	2A36C23/84B-0	84.0	82.0	30		13.3		29.7	D-3396 D-2822	S S		SA2200SW D'Shannon	1
F35 "Bonanza"	L	IO-520-BA (TCM)	P2235197-54	2A37C223/90RB-6	84.0	82.0	30		13.3		29.7	D-3396 D-3396-2	S S,E		SA2200SW D'Shannon	
F35 "Bonanza"	L	IO-520-BA (TCM)	P4065195-02 P4067482-52 P4067482-54	3A32C406/82NDB-2	80.0	78.5	30		13.3		29.0	D-5541 D-5259	P P		SA2200SW D'Shannon	29
F35 "Bonanza"	L	IO-520-BB (TCM)	OBSOLETE	2A36C23/84B-0	84.0	82.0	30		13.3		29.7	D-3396 D-2822	S S		SA2200SW D'Shannon	1
F35 "Bonanza"	L	IO-520-BB (TCM)	P2235197-54	2A37C223/90RB-6	84.0	82.0	30		13.3		29.7	D-3396 D-3396-2	S S,E		SA2200SW D'Shannon	
F35 "Bonanza"	L	IO-520-BB (TCM)	P4065195-02 P4067482-52 P4067482-54	3A32C406/82NDB-2	80.0	78.5	30		13.3		29.0	D-5541 D-5259	P P		SA2200SW D'Shannon	29
F35 "Bonanza"	L	IO-550-B (TCM)	OBSOLETE	3A32C76/82NB-2	80.0	78.5	30		13.3		29.0	D-3584 D-3584-2	S S,E		SA2200SW D'Shannon	1
F35 "Bonanza"	L	IO-550-B (TCM)	P4065195-02 P4067482-52 P4067482-54	3A32C406/82NDB-2	80.0	78.5	30		13.3		29.0	D-5541 D-5259	P P		SA2200SW D'Shannon	29
F35 "Bonanza"	L	IO-550-B (TCM)	P4097757-52	D3A32C409/82NDB-2	80.0	78.5	30		13.7		28.8	D-5541	P		SA2200SW D'Shannon	29
G35 "Bonanza"	L	IO-470-C (TCM)	OBSOLETE	2A36C23/84B-0	84.0	82.0	30		13.0		29.2	D-3290	S		SA09603SC Hammock Aviation	1 55
G35 "Bonanza"	L	IO-470-C (TCM)	P2235197-54	2A37C223/90RB-6	84.0	82.0	30		13.3		29.7	D-3290 D-7587	S P	C290D3/T35	SA09603SC Hammock Aviation	55
G35 "Bonanza"	L	IO-470-C (TCM)	P4347482-01	3A36C434/80VEA-0	80.0	78.0	30		10.8		33.9	D-7062 D-3600	P S	C290D3/T35	SA09603SC Hammock Aviation	55
G35 "Bonanza"	L	IO-470-N (TCM)	OBSOLETE	2A36C23/84B-0	84.0	82.0	30		13.3		29.7	D-3290	S		SA2361SW D'Shannon	1 55
G35 "Bonanza"	L	IO-470-N (TCM)	OBSOLETE	2A36C23/84B-0	84.0	82.0	30		13.0		29.2	D-3290	S		SA09603SC Hammock Aviation	1 55
G35 "Bonanza"	L	IO-470-N (TCM)	P2235197-54	2A37C223/90RB-6	84.0	82.0	30		13.3		29.7	D-3290 D-3290-2	S S,E		SA2361SW D'Shannon	55
G35 "Bonanza"	L	IO-470-N (TCM)	P2235197-54	2A37C223/90RB-6	84.0	82.0	30		13.3		29.7	D-3290 D-7587	S P	C290D3/T35	SA09603SC Hammock Aviation	55

Constant Speed Propeller Applications

Aircraft		Engine			Diameter		Ref		Blade Angles			Spinner		Governors	STC Number STC Holder STC Kit P/N	Notes
Model	Type	Model (Make)	Part Number	Model	Max	Min	Sta	Rev	Low or Flight Idle	Latch or Start Locks	High or Feather	Assembly P/N	Type			
G35 "Bonanza"	L	IO-470-N (TCM)	P4347482-01	3A36C434/80VEA-0	80.0	78.0	30		10.8		33.9	D-7062 D-3600	P S	C290D3/T35	SA09603SC Hammock Aviation	55
G35 "Bonanza"	L	IO-520-B (TCM)	OBSOLETE	2A36C23/84B-0	84.0	82.0	30		13.3		29.7	D-3396 D-2822	S S		SA2200SW D'Shannon	1
G35 "Bonanza"	L	IO-520-B (TCM)	P2235197-54	2A37C223/90RB-6	84.0	82.0	30		13.3		29.7	D-3396 D-3396-2	S S,E		SA2200SW D'Shannon	
G35 "Bonanza"	L	IO-520-B (TCM)	P4065195-02 P4067482-52 P4067482-54	3A32C406/82NDB-2	80.0	78.5	30		13.3		29.0	D-5541 D-5259	P P		SA2200SW D'Shannon	29
G35 "Bonanza"	L	IO-520-BA (TCM)	OBSOLETE	2A36C23/84B-0	84.0	82.0	30		13.3		29.7	D-3396 D-2822	S S		SA2200SW D'Shannon	1
G35 "Bonanza"	L	IO-520-BA (TCM)	P2235197-54	2A37C223/90RB-6	84.0	82.0	30		13.3		29.7	D-3396 D-3396-2	S S,E		SA2200SW D'Shannon	
G35 "Bonanza"	L	IO-520-BA (TCM)	P4065195-02 P4067482-52 P4067482-54	3A32C406/82NDB-2	80.0	78.5	30		13.3		29.0	D-5541 D-5259	P P		SA2200SW D'Shannon	29
G35 "Bonanza"	L	IO-520-BB (TCM)	OBSOLETE	2A36C23/84B-0	84.0	82.0	30		13.3		29.7	D-3396 D-2822	S S		SA2200SW D'Shannon	1
G35 "Bonanza"	L	IO-520-BB (TCM)	P2235197-54	2A37C223/90RB-6	84.0	82.0	30		13.3		29.7	D-3396 D-3396-2	S S,E		SA2200SW D'Shannon	
G35 "Bonanza"	L	IO-520-BB (TCM)	P4065195-02 P4067482-52 P4067482-54	3A32C406/82NDB-2	80.0	78.5	30		13.3		29.0	D-5541 D-5259	P P		SA2200SW D'Shannon	29
G35 "Bonanza"	L	IO-550-B (TCM)	OBSOLETE	3A32C76/82NB-2	80.0	78.5	30		13.3		29.0	D-3584 D-3584-2	S S,E		SA2200SW D'Shannon	1
G35 "Bonanza"	L	IO-550-B (TCM)	P4065195-02 P4067482-52 P4067482-54	3A32C406/82NDB-2	80.0	78.5	30		13.3		29.0	D-5541 D-5259	P P		SA2200SW D'Shannon	29
G35 "Bonanza"	L	IO-550-B (TCM)	P4097757-52	D3A32C409/82NDB-2	80.0	78.5	30		13.7		28.8	D-5541	P		SA2200SW D'Shannon	29
H35 "Bonanza"	L	O-470-G (TCM)	OBSOLETE	2A36C23/84B-0	84.0	82.0	30		12.7		29.7	D-3290 D-3290-2	S S,E			1 55
H35 "Bonanza"	L	O-470-G (TCM)	P2235197-52	2A37C223/90RB-6	84.0	82.0	30		12.7		29.7	D-3290 D-3290-2 D-7587 D-7587-2	S S,E P P,E	C290D3/T35	SA1489GL McCauley PL60300 PL60301 PL60310 PL60311	55
H35 "Bonanza"	L	O-470-G (TCM)	P4237482-51	3A34C423/90DFA-10	80.0	78.0	30		10.0		29.0	D-3600 D-3584 D-5541	S S P	C290D3/T35	SA1691GL D'Shannon	55 82
H35 "Bonanza"	L	IO-470-N (TCM)	P4237482-54	3A34C423/90DFA-10	80.0	78.0	30		11.8		29.0	D-3600 D-3584 D-5541	S S P		SA2660SW D'Shannon	55 82
H35 "Bonanza"	L	IO-470-N (TCM)	P4347482-01	3A36C434/80VEA-0	80.0	78.0	30		10.8		33.9	D-3600	S		SA2660SW D'Shannon	55
H35 "Bonanza"	L	IO-470-N (TCM)	OBSOLETE	2A36C23/84B-0	84.0	82.0	30		13.3		29.7	D-3290	S		SA2660SW D'Shannon	1 55
H35 "Bonanza"	L	IO-470-N (TCM)	P2235197-54	2A37C223/90RB-6	84.0	82.0	30		13.3		29.7	D-3290 D-3290-2	S S,E		SA2660SW D'Shannon	55

Constant Speed Propeller Applications

Aircraft		Engine		Part Number	Model	Diameter		Ref		Blade Angles			Spinner		Governors	STC Number STC Holder STC Kit P/N	Notes
Model	TYPE	Model (Make)	Model			Max	Min	Sta	Rev	Low or Flight Idle	Latch or Start Locks	High or Feather	Assembly P/N	Type			
H35 "Bonanza"	L	IO-520-B (TCM)	OBSOLETE	2A36C23/84B-0	84.0	82.0	30		13.3		29.7	D-3396 D-3396-2 D-2822	S S,E S		SA2200SW D'Shannon	1	
H35 "Bonanza"	L	IO-520-B (TCM)	P2235197-54	2A37C223/90RB-6	84.0	82.0	30		13.3		29.7	D-3396 D-3396-2	S S,E		SA2200SW D'Shannon		
H35 "Bonanza"	L	IO-520-B (TCM)	P4065195-02 P4067482-52 P4067482-54	3A32C406/82NDB-2	80.0	78.5	30		13.3		29.0	D-5541 D-5259	P P		SA2200SW D'Shannon	29	
H35 "Bonanza"	L	IO-520-BA (TCM)	OBSOLETE	2A36C23/84B-0	84.0	82.0	30		13.3		29.7	D-3396 D-3396-2 D-2822	S S,E S		SA2200SW D'Shannon	1	
H35 "Bonanza"	L	IO-520-BA (TCM)	P2235197-54	2A37C223/90RB-6	84.0	82.0	30		13.3		29.7	D-3396 D-3396-2	S S,E		SA2200SW D'Shannon		
H35 "Bonanza"	L	IO-520-BA (TCM)	P4065195-02 P4067482-52 P4067482-54	3A32C406/82NDB-2	80.0	78.5	30		13.3		29.0	D-5541 D-5259	P P		SA2200SW D'Shannon	29	
H35 "Bonanza"	L	IO-520-BB (TCM)	OBSOLETE	2A36C23/84B-0	84.0	82.0	30		13.3		29.7	D-3396 D-3396-2 D-2822	S S,E S		SA2200SW D'Shannon	1	
H35 "Bonanza"	L	IO-520-BB (TCM)	P2235197-54	2A37C223/90RB-6	84.0	82.0	30		13.3		29.7	D-3396 D-3396-2	S S,E		SA2200SW D'Shannon		
H35 "Bonanza"	L	IO-520-BB (TCM)	P4065195-02 P4067482-52 P4067482-54	3A32C406/82NDB-2	80.0	78.5	30		13.3		29.0	D-5541 D-5259	P P		SA2200SW D'Shannon	29	
H35 "Bonanza"	L	IO-550-B (TCM)	OBSOLETE	3A32C76/82NB-2	80.0	78.5	30		13.3		29.0	D-3584 D-3584-2	S S,E		SA2200SW D'Shannon	1	
H35 "Bonanza"	L	IO-550-B (TCM)	P4065195-02 P4067482-52 P4067482-54	3A32C406/82NDB-2	80.0	78.5	30		13.3		29.0	D-5541 D-5259	P P		SA2200SW D'Shannon	29	
H35 "Bonanza"	L	IO-550-B (TCM)	P4097757-52	D3A32C409/82NDB-2	80.0	78.5	30		13.7		28.8	D-5541	P		SA2200SW D'Shannon	29	
J35 "Bonanza"	L	IO-470-C (TCM)	OBSOLETE	2A36C23/84B-0	84.0	82.0	30		13.0		29.7	D-3290 D-3290-2	S S,E			1 55	
J35 "Bonanza"	L	IO-470-C (TCM)	P2235197-53	2A37C223/90RB-6	84.0	82.0	30		13.0		29.7	D-3290 D-3290-2 D-7587 D-7587-2	S S,E P P,E	C290D3/T35	SA1489GL McCaughey PL60302 PL60303 PL60312 PL60313	55	
J35 "Bonanza"	L	IO-470-C (TCM)	P4237482-52	3A34C423/90DFA-10	80.0	78.0	30		11.0		29.0	D-3600 D-3584 D-5541	S S P	C290D3/T35	SA1691GL D'Shannon	55 82	
J35 "Bonanza"	L	IO-470-C (TCM)	P4347482-01	3A36C434/80VEA-0	80.0	78.0	30		10.8		33.9	D-3600 D-7062	S P	C290D3/T35	SA00718CH McCaughey PL60219 PL60250 PL60223 PL60251	55	
J35 "Bonanza"	L	IO-470-N (TCM)	P2235197-54	2A37C223/90RB-6	84.0	82.0	30		13.3		29.7	D-3290 D-3290-2	S S,E		SA5635SW D'Shannon	55	

Constant Speed Propeller Applications

Aircraft		Engine			Diameter		Ref		Blade Angles			Spinner		Governors	STC Number STC Holder STC Kit P/N	Notes
Model	TYPE	Model (Make)	Part Number	Model	Max	Min	Sta	Rev	Low or Flight Idle	Latch or Start Locks	High or Feather	Assembly P/N	Type			
J35 "Bonanza"	L	IO-470-N (TCM)	P4237482-54	3A34C423/90DFA-10	80.0	78.0	30		11.8		29.0	D-3600 D-3584 D-5541	S S P		SA5635SW D'Shannon	55 82
J35 "Bonanza"	L	IO-470-N (TCM)	P4347482-01	3A36C434/80VEA-0	80.0	78.0	30		10.8		33.9	D-3600	S		SA5635SW D'Shannon	55
J35 "Bonanza"	L	IO-520-B (TCM)	OBSOLETE	2A36C23/84B-0	84.0	82.0	30		13.3		29.7	D-3396 D-3396-2 D-2822	S S,E S		SA2200SW D'Shannon	1
J35 "Bonanza"	L	IO-520-B (TCM)	P2235197-54	2A37C223/90RB-6	84.0	82.0	30		13.3		29.7	D-3396 D-3396-2	S S,E		SA2200SW D'Shannon	
J35 "Bonanza"	L	IO-520-B (TCM)	P4065195-02 P4067482-52 P4067482-54	3A32C406/82NDB-2	80.0	78.5	30		13.3		29.0	D-5541 D-5259	P P		SA2200SW D'Shannon	29
J35 "Bonanza"	L	IO-520-BA (TCM)	OBSOLETE	2A36C23/84B-0	84.0	82.0	30		13.3		29.7	D-3396 D-3396-2 D-2822	S S,E S		SA2200SW D'Shannon	1
J35 "Bonanza"	L	IO-520-BA (TCM)	P2235197-54	2A37C223/90RB-6	84.0	82.0	30		13.3		29.7	D-3396 D-3396-2	S S,E		SA2200SW D'Shannon	
J35 "Bonanza"	L	IO-520-BA (TCM)	P4065195-02 P4067482-52 P4067482-54	3A32C406/82NDB-2	80.0	78.5	30		13.3		29.0	D-5541 D-5259	P P		SA2200SW D'Shannon	29
J35 "Bonanza"	L	IO-520-BB (TCM)	OBSOLETE	2A36C23/84B-0	84.0	82.0	30		13.3		29.7	D-3396 D-3396-2 D-2822	S S,E S		SA2200SW D'Shannon	1
J35 "Bonanza"	L	IO-520-BB (TCM)	P2235197-54	2A37C223/90RB-6	84.0	82.0	30		13.3		29.7	D-3396 D-3396-2	S S,E		SA2200SW D'Shannon	
J35 "Bonanza"	L	IO-520-BB (TCM)	P4065195-02 P4067482-52 P4067482-54	3A32C406/82NDB-2	80.0	78.5	30		13.3		29.0	D-5541 D-5259	P P		SA2200SW D'Shannon	29
J35 "Bonanza"	L	IO-550-B (TCM)	OBSOLETE	3A32C76/82NB-2	80.0	78.5	30		13.3		29.0	D-3584 D-3584-2	S S,E		SA2200SW D'Shannon	1
J35 "Bonanza"	L	IO-550-B (TCM)	P4065195-02 P4067482-52 P4067482-54	3A32C406/82NDB-2	80.0	78.5	30		13.3		29.0	D-5541 D-5259	P P		SA2200SW D'Shannon	29
J35 "Bonanza"	L	IO-550-B (TCM)	P4097757-52	D3A32C409/82NDB-2	80.0	78.5	30		13.7		28.8	D-5541	P		SA2200SW D'Shannon	29
K35 "Bonanza"	L	IO-470-C (TCM)	OBSOLETE	2A36C23/84B-0	84.0	82.0	30		13.0		29.7	D-3290 D-3290-2	S S,E			1 55
K35 "Bonanza"	L	IO-470-C (TCM)	P2235197-53	2A37C223/90RB-6	84.0	82.0	30		13.0		29.7	D-3290 D-3290-2 D-7587 D-7587-2	S S,E P P,E	C290D3/T35	SA1489GL McCauley PL60302 PL60303 PL60312 PL60313	55
K35 "Bonanza"	L	IO-470-C (TCM)	P4237482-52	3A34C423/90DFA-10	80.0	78.0	30		11.0		29.0	D-3600 D-3584 D-5541	S S P	C290D3/T35	SA1691GL D'Shannon	55 82

Constant Speed Propeller Applications

Aircraft		Engine			Diameter		Ref		Blade Angles			Spinner		Governors	STC Number STC Holder STC Kit P/N	Notes
Model	TYPE	Model (Make)	Part Number	Model	Max	Min	Sta	Rev	Low or Flight Idle	Latch or Start Locks	High or Feather	Assembly P/N	Type			
K35 "Bonanza"	L	IO-470-C (TCM)	P4347482-01	3A36C434/80VEA-0	80.0	78.0	30		10.8		33.9	D-3600 D-7062	S P	C290D3/T35	SA00718CH McCauley PL60219 PL60250 PL60223 PL60251	55
K35 "Bonanza"	L	IO-470-N (TCM)	P2235197-54	2A37C223/90RB-6	84.0	82.0	30		13.3		29.7	D-3290 D-3290-2	S S,E		SA5635SW D'Shannon	55
K35 "Bonanza"	L	IO-470-N (TCM)	P4237482-54	3A34C423/90DFA-10	80.0	78.0	30		11.8		29.0	D-3600 D-3584 D-5541	S S P		SA5635SW D'Shannon	55 82
K35 "Bonanza"	L	IO-470-N (TCM)	P4347482-01	3A36C434/80VEA-0	80.0	78.0	30		10.8		33.9	D-3600	S		SA5635SW D'Shannon	55
K35 "Bonanza"	L	IO-520-B (TCM)	OBSOLETE	2A36C23/84B-0	84.0	82.0	30		13.3		29.7	D-3396 D-3396-2 D-2822	S S,E S		SA2200SW D'Shannon	1
K35 "Bonanza"	L	IO-520-B (TCM)	P2235197-54	2A37C223/90RB-6	84.0	82.0	30		13.3		29.7	D-3396 D-3396-2	S S,E		SA2200SW D'Shannon	
K35 "Bonanza"	L	IO-520-B (TCM)	P4065195-02 P4067482-52 P4067482-54	3A32C406/82NDB-2	80.0	78.5	30		13.3		29.0	D-5541 D-5259	P P		SA2200SW D'Shannon	29
K35 "Bonanza"	L	IO-520-BA (TCM)	OBSOLETE	2A36C23/84B-0	84.0	82.0	30		13.3		29.7	D-3396 D-3396-2 D-2822	S S,E S		SA2200SW D'Shannon	1
K35 "Bonanza"	L	IO-520-BA (TCM)	P2235197-54	2A37C223/90RB-6	84.0	82.0	30		13.3		29.7	D-3396 D-3396-2	S S,E		SA2200SW D'Shannon	
K35 "Bonanza"	L	IO-520-BA (TCM)	P4065195-02 P4067482-52 P4067482-54	3A32C406/82NDB-2	80.0	78.5	30		13.3		29.0	D-5541 D-5259	P P		SA2200SW D'Shannon	29
K35 "Bonanza"	L	IO-520-BB (TCM)	OBSOLETE	2A36C23/84B-0	84.0	82.0	30		13.3		29.7	D-3396 D-3396-2 D-2822	S S,E S		SA2200SW D'Shannon	1
K35 "Bonanza"	L	IO-520-BB (TCM)	P2235197-54	2A37C223/90RB-6	84.0	82.0	30		13.3		29.7	D-3396 D-3396-2	S S,E		SA2200SW D'Shannon	
K35 "Bonanza"	L	IO-520-BB (TCM)	P4065195-02 P4067482-52 P4067482-54	3A32C406/82NDB-2	80.0	78.5	30		13.3		29.0	D-5541 D-5259	P P		SA2200SW D'Shannon	29
K35 "Bonanza"	L	IO-550-B (TCM)	OBSOLETE	3A32C76/82NB-2	80.0	78.5	30		13.3		29.0	D-3584 D-3584-2	S S,E		SA2200SW D'Shannon	1
K35 "Bonanza"	L	IO-550-B (TCM)	P4065195-02 P4067482-52 P4067482-54	3A32C406/82NDB-2	80.0	78.5	30		13.3		29.0	D-5541 D-5259	P P		SA2200SW D'Shannon	29
K35 "Bonanza"	L	IO-550-B (TCM)	P4097757-52	D3A32C409/82NDB-2	80.0	78.5	30		13.7		28.8	D-5541	P		SA2200SW D'Shannon	29
M35 "Bonanza"	L	IO-470-C (TCM)	OBSOLETE	2A36C23/84B-0	84.0	82.0	30		13.0		29.7	D-3290 D-3290-2	S S,E			1 55
M35 "Bonanza"	L	IO-470-C (TCM)	P2235197-53	2A37C223/90RB-6	84.0	82.0	30		13.0		29.7	D-3290 D-3290-2 D-7587 D-7587-2	S S,E P P,E	C290D3/T35	SA1489GL McCauley PL60302 PL60303 PL60312 PL60313	55

Constant Speed Propeller Applications

Aircraft		Engine			Diameter		Ref		Blade Angles			Spinner		Governors	STC Number STC Holder STC Kit P/N	Notes
Model	T Y P E	Model (Make)	Part Number	Model	Max	Min	Sta	Rev	Low or Flight Idle	Latch or Start Locks	High or Feather	Assembly P/N	T y p e			
M35 "Bonanza"	L	IO-470-C (TCM)	P4237482-52	3A34C423/90DFA-10	80.0	78.0	30		11.0		29.0	D-3600 D-3584 D-5541	S S P	C290D3/T35	SA1691GL D'Shannon	55 82
M35 "Bonanza"	L	IO-470-C (TCM)	P4347482-01	3A36C434/80VEA-0	80.0	78.0	30		10.8		33.9	D-3600 D-7062	S P	C290D3/T35	SA00718CH McCauley PL60219 PL60250 PL60223 PL60251	55
M35 "Bonanza"	L	IO-470-N (TCM)	P2235197-54	2A37C223/90RB-6	84.0	82.0	30		13.3		29.7	D-3290 D-3290-2	S S,E		SA5635SW D'Shannon	55
M35 "Bonanza"	L	IO-470-N (TCM)	P4237482-54	3A34C423/90DFA-10	80.0	78.0	30		11.8		29.0	D-3600 D-3584 D-5541	S S P		SA5635SW D'Shannon	55 82
M35 "Bonanza"	L	IO-470-N (TCM)	P4347482-01	3A36C434/80VEA-0	80.0	78.0	30		10.8		33.9	D-3600	S		SA5635SW D'Shannon	55
M35 "Bonanza"	L	IO-520-B (TCM)	OBSOLETE	2A36C23/84B-0	84.0	82.0	30		13.3		29.7	D-3396 D-3396-2 D-2822	S S,E S		SA2200SW D'Shannon	1
M35 "Bonanza"	L	IO-520-B (TCM)	P2235197-54	2A37C223/90RB-6	84.0	82.0	30		13.3		29.7	D-3396 D-3396-2	S S,E		SA2200SW D'Shannon	
M35 "Bonanza"	L	IO-520-B (TCM)	P4065195-02 P4067482-52 P4067482-54	3A32C406/82NDB-2	80.0	78.5	30		13.3		29.0	D-5541 D-5259	P P		SA2200SW D'Shannon	29
M35 "Bonanza"	L	IO-520-BA (TCM)	OBSOLETE	2A36C23/84B-0	84.0	82.0	30		13.3		29.7	D-3396 D-3396-2 D-2822	S S,E S		SA2200SW D'Shannon	1
M35 "Bonanza"	L	IO-520-BA (TCM)	P2235197-54	2A37C223/90RB-6	84.0	82.0	30		13.3		29.7	D-3396 D-3396-2	S S,E		SA2200SW D'Shannon	
M35 "Bonanza"	L	IO-520-BA (TCM)	P4065195-02 P4067482-52 P4067482-54	3A32C406/82NDB-2	80.0	78.5	30		13.3		29.0	D-5541 D-5259	P P		SA2200SW D'Shannon	29
M35 "Bonanza"	L	IO-520-BB (TCM)	OBSOLETE	2A36C23/84B-0	84.0	82.0	30		13.3		29.7	D-3396 D-3396-2 D-2822	S S,E S		SA2200SW D'Shannon	1
M35 "Bonanza"	L	IO-520-BB (TCM)	P2235197-54	2A37C223/90RB-6	84.0	82.0	30		13.3		29.7	D-3396 D-3396-2	S S,E		SA2200SW D'Shannon	
M35 "Bonanza"	L	IO-520-BB (TCM)	P4065195-02 P4067482-52 P4067482-54	3A32C406/82NDB-2	80.0	78.5	30		13.3		29.0	D-5541 D-5259	P P		SA2200SW D'Shannon	29
M35 "Bonanza"	L	IO-550-B (TCM)	OBSOLETE	3A32C76/82NB-2	80.0	78.5	30		13.3		29.0	D-3584 D-3584-2	S S,E		SA2200SW D'Shannon	1
M35 "Bonanza"	L	IO-550-B (TCM)	P4065195-02 P4067482-52 P4067482-54	3A32C406/82NDB-2	80.0	78.5	30		13.3		29.0	D-5541 D-5259	P P		SA2200SW D'Shannon	29
M35 "Bonanza"	L	IO-550-B (TCM)	P4097757-52	D3A32C409/82NDB-2	80.0	78.5	30		13.7		28.8	D-5541	P		SA2200SW D'Shannon	29
N35 "Bonanza"	L	IO-470-N (TCM)	OBSOLETE	2A36C23/84B-0	84.0	82.0	30		13.3		29.7	D-3290 D-3290-2	S S,E			1 55

Constant Speed Propeller Applications

Aircraft		Engine			Diameter		Ref		Blade Angles			Spinner		Governors	STC Number STC Holder STC Kit P/N	Notes
Model	T Y P E	Model (Make)	Part Number	Model	Max	Min	Sta	Rev	Low or Flight Idle	Latch or Start Locks	High or Feather	Assembly P/N	T y p e			
N35 "Bonanza"	L	IO-470-N (TCM)	P2235197-54	2A37C223/90RB-6	84.0	82.0	30		13.3		29.7	D-3290 D-3290-2 D-7587 D-7587-2	S S,E P P,E	C290D3/T35	SA1489GL McCauley PL60304 PL60305 PL60314 PL60315	55
N35 "Bonanza"	L	IO-470-N (TCM)	P4237482-54	3A34C423/90DFA-10	80.0	78.0	30		11.8		29.0	D-3600 D-3584 D-5541	S S P	C290D3/T35	SA1691GL D'Shannon	55 82
N35 "Bonanza"	L	IO-470-N (TCM)	P4347482-01	3A36C434/80VEA-0	80.0	78.0	30		10.8		33.9	D-3600 D-7062	S P	C290D3/T35	SA00718CH McCauley PL60219 PL60250 PL60223 PL60251	55
N35 "Bonanza"	L	IO-520-B (TCM)	OBSOLETE	2A36C23/84B-0	84.0	82.0	30		13.3		29.7	D-3396 D-3396-2 D-2822	S S,E S		SA2200SW D'Shannon	1
N35 "Bonanza"	L	IO-520-B (TCM)	P2235197-54	2A37C223/90RB-6	84.0	82.0	30		13.3		29.7	D-3396 D-3396-2	S S,E		SA2200SW D'Shannon	
N35 "Bonanza"	L	IO-520-B (TCM)	P4065195-02 P4067482-52 P4067482-54	3A32C406/82NDB-2	80.0	78.5	30		13.3		29.0	D-5541 D-5259	P P		SA2200SW D'Shannon	29
N35 "Bonanza"	L	IO-520-BA (TCM)	OBSOLETE	2A36C23/84B-0	84.0	82.0	30		13.3		29.7	D-3396 D-3396-2 D-2822	S S,E S		SA2200SW D'Shannon	1
N35 "Bonanza"	L	IO-520-BA (TCM)	P2235197-54	2A37C223/90RB-6	84.0	82.0	30		13.3		29.7	D-3396 D-3396-2	S S,E		SA2200SW D'Shannon	
N35 "Bonanza"	L	IO-520-BA (TCM)	P4065195-02 P4067482-52 P4067482-54	3A32C406/82NDB-2	80.0	78.5	30		13.3		29.0	D-5541 D-5259	P P		SA2200SW D'Shannon	29
N35 "Bonanza"	L	IO-520-BB (TCM)	OBSOLETE	2A36C23/84B-0	84.0	82.0	30		13.3		29.7	D-3396 D-3396-2 D-2822	S S,E S		SA2200SW D'Shannon	1
N35 "Bonanza"	L	IO-520-BB (TCM)	P2235197-54	2A37C223/90RB-6	84.0	82.0	30		13.3		29.7	D-3396 D-3396-2	S S,E		SA2200SW D'Shannon	
N35 "Bonanza"	L	IO-520-BB (TCM)	P4065195-02 P4067482-52 P4067482-54	3A32C406/82NDB-2	80.0	78.5	30		13.3		29.0	D-5541 D-5259	P P		SA2200SW D'Shannon	29
N35 "Bonanza"	L	IO-550-B (TCM)	OBSOLETE	3A32C76/82NB-2	80.0	78.5	30		13.3		29.0	D-3584 D-3584-2	S S,E		SA2200SW D'Shannon	1
N35 "Bonanza"	L	IO-550-B (TCM)	P4065195-02 P4067482-52 P4067482-54	3A32C406/82NDB-2	80.0	78.5	30		13.3		29.0	D-5541 D-5259	P P		SA2200SW D'Shannon	29
N35 "Bonanza"	L	IO-550-B (TCM)	P4097757-52	D3A32C409/82NDB-2	80.0	78.5	30		13.7		28.8	D-5541	P		SA2200SW D'Shannon	29
P35 "Bonanza"	L	IO-470-N (TCM)	OBSOLETE	2A36C23/84B-0	84.0	82.0	30		13.3		29.7	D-3290 D-3290-2	S S,E			1 55

Constant Speed Propeller Applications

Aircraft		Engine			Diameter		Ref	Blade Angles				Spinner		Governors	STC Number STC Holder STC Kit P/N	Notes
Model	T Y P E	Model (Make)	Part Number	Model	Max	Min	Sta	Rev	Low or Flight Idle	Latch or Start Locks	High or Feather	Assembly P/N	T y p e			
P35 "Bonanza"	L	IO-470-N (TCM)	P2235197-54	2A37C223/90RB-6	84.0	82.0	30		13.3		29.7	D-3290 D-3290-2 D-7587 D-7587-2	S S,E P P,E	C290D3/T35	SA1489GL McCauley PL60304 PL60305 PL60314 PL60315	55
P35 "Bonanza"	L	IO-470-N (TCM)	P4237482-54	3A34C423/90DFA-10	80.0	78.0	30		11.8		29.0	D-3600 D-3584 D-5541	S S P	C290D3/T35	SA1691GL D'Shannon	55 82
P35 "Bonanza"	L	IO-470-N (TCM)	P4347482-01	3A36C434/80VEA-0	80.0	78.0	30		10.8		33.9	D-3600 D-7062	S P	C290D3/T35	SA00718CH McCauley PL60219 PL60250 PL60223 PL60251	55
P35 "Bonanza"	L	IO-520-B (TCM)	OBSOLETE	2A36C23/84B-0	84.0	82.0	30		13.3		29.7	D-3396 D-3396-2 D-2822	S S,E S		SA2200SW D'Shannon	1
P35 "Bonanza"	L	IO-520-B (TCM)	P2235197-54	2A37C223/90RB-6	84.0	82.0	30		13.3		29.7	D-3396 D-3396-2	S S,E		SA2200SW D'Shannon	
P35 "Bonanza"	L	IO-520-B (TCM)	P4065195-02 P4067482-52 P4067482-54	3A32C406/82NDB-2	80.0	78.5	30		13.3		29.0	D-5541 D-5259	P P		SA2200SW D'Shannon	29
P35 "Bonanza"	L	IO-520-BA (TCM)	OBSOLETE	2A36C23/84B-0	84.0	82.0	30		13.3		29.7	D-3396 D-3396-2 D-2822	S S,E S		SA2200SW D'Shannon	1
P35 "Bonanza"	L	IO-520-BA (TCM)	P2235197-54	2A37C223/90RB-6	84.0	82.0	30		13.3		29.7	D-3396 D-3396-2	S S,E		SA2200SW D'Shannon	
P35 "Bonanza"	L	IO-520-BA (TCM)	P4065195-02 P4067482-52 P4067482-54	3A32C406/82NDB-2	80.0	78.5	30		13.3		29.0	D-5541 D-5259	P P		SA2200SW D'Shannon	29
P35 "Bonanza"	L	IO-520-BB (TCM)	OBSOLETE	2A36C23/84B-0	84.0	82.0	30		13.3		29.7	D-3396 D-3396-2 D-2822	S S,E S		SA2200SW D'Shannon	1
P35 "Bonanza"	L	IO-520-BB (TCM)	P2235197-54	2A37C223/90RB-6	84.0	82.0	30		13.3		29.7	D-3396 D-3396-2	S S,E		SA2200SW D'Shannon	
P35 "Bonanza"	L	IO-520-BB (TCM)	P4065195-02 P4067482-52 P4067482-54	3A32C406/82NDB-2	80.0	78.5	30		13.3		29.0	D-5541 D-5259	P P		SA2200SW D'Shannon	29
P35 "Bonanza"	L	IO-550-B (TCM)	OBSOLETE	3A32C76/82NB-2	80.0	78.5	30		13.3		29.0	D-3584 D-3584-2	S S,E		SA2200SW D'Shannon	1
P35 "Bonanza"	L	IO-550-B (TCM)	P4065195-02 P4067482-52 P4067482-54	3A32C406/82NDB-2	80.0	78.5	30		13.3		29.0	D-5541 D-5259	P P		SA2200SW D'Shannon	29
P35 "Bonanza"	L	IO-550-B (TCM)	P4097757-52	D3A32C409/82NDB-2	80.0	78.5	30		13.7		28.8	D-5541	P		SA2200SW D'Shannon	29
S35 "Bonanza"	L	IO-520-B (TCM)	OBSOLETE	2A36C23/84B-0	84.0	82.0	30		13.3		29.7	D-3396 D-3396-2 D-2822	S S,E S			1

Constant Speed Propeller Applications

Aircraft		Engine			Diameter		Ref		Blade Angles			Spinner		Governors	STC Number STC Holder STC Kit P/N	Notes
Model	TYPE	Model (Make)	Part Number	Model	Max	Min	Sta	Rev	Low or Flight Idle	Latch or Start Locks	High or Feather	Assembly P/N	Type			
S35 "Bonanza"	L	IO-520-B (TCM)	P2235197-54	2A37C223/90RB-6	84.0	82.0	30		13.3		29.7	D-3396 D-3396-2 D-5255 D-5255-2	S S,E P P,E	C290D3/T23	SA1489GL McCauley PL60306 PL60307 PL60316 PL60317	
S35 "Bonanza"	L	IO-520-B (TCM)	OBSOLETE	3A32C76/82NB-2	80.0	78.5	30		13.3		29.0	D-3584 D-3584-2	S S,E			1
S35 "Bonanza"	L	IO-520-B (TCM)	P4065195-02 P4067482-52 P4067482-54	3A32C406/82NDB-2	80.0	78.5	30		13.3		29.0	D-5541 D-5259	P P		SA1166GL D'Shannon	29
S35 "Bonanza"	L	IO-520-BA (TCM)	OBSOLETE	2A36C23/84B-0	84.0	82.0	30		13.3		29.7	D-3396 D-3396-2 D-2822	S S,E S			1
S35 "Bonanza"	L	IO-520-BA (TCM)	P2235197-54	2A37C223/90RB-6	84.0	82.0	30		13.3		29.7	D-3396 D-3396-2 D-5255 D-5255-2	S S,E P P,E	C290D3/T23	SA1489GL McCauley PL60306 PL60307 PL60316 PL60317	
S35 "Bonanza"	L	IO-520-BA (TCM)	OBSOLETE	3A32C76/82NB-2	80.0	78.5	30		13.3		29.0	D-3584 D-3584-2	S S,E			1
S35 "Bonanza"	L	IO-520-BA (TCM)	P4065195-02 P4067482-52 P4067482-54	3A32C406/82NDB-2	80.0	78.5	30		13.3		29.0	D-5541 D-5259	P P		SA1166GL D'Shannon	29
S35 "Bonanza"	L	IO-520-BB (TCM)	OBSOLETE	2A36C23/84B-0	84.0	82.0	30		13.3		29.7	D-3396 D-3396-2 D-2822	S S,E S			1
S35 "Bonanza"	L	IO-520-BB (TCM)	P2235197-54	2A37C223/90RB-6	84.0	82.0	30		13.3		29.7	D-3396 D-3396-2 D-5255 D-5255-2	S S,E P P,E	C290D3/T23	SA1489GL McCauley PL60306 PL60307 PL60316 PL60317	
S35 "Bonanza"	L	IO-520-BB (TCM)	OBSOLETE	3A32C76/82NB-2	80.0	78.5	30		13.3		29.0	D-3584 D-3584-2	S S,E			1
S35 "Bonanza"	L	IO-520-BB (TCM)	P4065195-02 P4067482-52 P4067482-54	3A32C406/82NDB-2	80.0	78.5	30		13.3		29.0	D-5541 D-5259	P P		SA1166GL D'Shannon	29
S35 "Bonanza"	L	IO-550-B (TCM)	OBSOLETE	3A32C76/82NB-2	80.0	78.5	30		13.3		29.0	D-3584 D-3584-2	S S,E		SA2200SW D'Shannon	1
S35 "Bonanza"	L	IO-550-B (STC)	OBSOLETE	3A32C76/82NB-2	80.0	78.0	30								SA5223NM Tornado Alley Turbo	29 93
S35 "Bonanza"	L	IO-550-B (TCM)	P4065195-02 P4067482-52 P4067482-54	3A32C406/82NDB-2	80.0	78.5	30		13.3		29.0	D-5541 D-5259	P P		SA2200SW D'Shannon	29
S35 "Bonanza"	L	IO-550-B (TCM)	OBSOLETE	D3A32C76/82NB-2	80.0	78.5	30		13.3		29.0	D-3584 D-3600	S S	C290D3/T23	SA09619SC Hammock Aviation	1

Constant Speed Propeller Applications

Aircraft		Engine		Part Number	Model	Diameter		Ref		Blade Angles			Spinner		Governors	STC Number STC Holder STC Kit P/N	Notes
Model	TYPE	Model (Make)	Model			Max	Min	Sta	Rev	Low or Flight Idle	Latch or Start Locks	High or Feather	Assembly P/N	Type			
S35 "Bonanza"	L	IO-550-B (TCM)	P4065195-02 P4067482-52 P4067482-54	3A32C406/82NDB-2	80.0	78.5	30			13.3		29.0	D-7168 D-5541 D-5259	P P P	C290D3/T23	SA09619SC Hammock Aviation	29
S35 "Bonanza"	L	IO-550-B (TCM)	P4065195-01 P4067482-51 P4067482-55	3A32C406/82NDB-4	78.0	77.0	30			15.8		34.9	D-7168 D-5541 D-5259	P P P	C290D3/T23	SA09619SC Hammock Aviation	29
S35 "Bonanza"	L	IO-550-B (STC)		D3A32C409/82NDB-2	80.0	78.0	30									SA5223NM Tornado Alley Turbo	29 93
S35 "Bonanza"	L	IO-550-B (TCM)	P4097757-52	D3A32C409/82NDB-2	80.0	78.5	30			13.7		28.8	D-5541	P		SA2200SW D'Shannon	29
S35 "Bonanza"	L	IO-550-B (TCM)	P4097757-51 P4097757-52	D3A32C409/82NDB-2	80.0	78.5	30			13.7		28.8	D-7168 D-5541 D-5259	P P P	C290D3/T23	SA09619SC Hammock Aviation	29
S35 "Bonanza"	L	TSIO-520-D (TCM)	OBSOLETE	2A36C82/84B-2	82.0	80.0	30			14.3		34.5	D-3396 D-3396-2 D-2822	S S,E S			1
S35 "Bonanza"	L	TSIO-520-D (TCM)	OBSOLETE	3A32C76/82NB-2	80.0	78.5	30			14.2		34.0	D-3584 D-3584-2	S S,E			1
S35 "Bonanza"	L	TSIO-520-D (TCM)	P4065195-06 P4067482-56	3A32C406/82NDB-4	78.0	77.0	30			14.2		34.9	D-5541 D-5259	P P		SA01154CH D'Shannon	29
S35 "Bonanza"	L	TSIO-520-DB (TCM)	P4065195-06 P4067482-56	3A32C406/82NDB-4	78.0	77.0	30			14.2		34.9	D-5541 D-5259	P P		SA01154CH D'Shannon	29
V35 "Bonanza"	L	IO-520-B (TCM)	OBSOLETE	2A36C23/84B-0	84.0	82.0	30			13.3		29.7	D-3396 D-3396-2 D-2822	S S,E S			1
V35 "Bonanza"	L	IO-520-B (TCM)	P2235197-54	2A37C223/90RB-6	84.0	82.0	30			13.3		29.7	D-3396 D-3396-2 D-5255 D-5255-2	S S,E P P,E	C290D3/T23	SA1489GL McCaughey PL60306 PL60307 PL60316 PL60317	
V35 "Bonanza"	L	IO-520-B (TCM)	OBSOLETE	3A32C76/82NB-2	80.0	78.5	30			13.3		29.0	D-3584 D-3584-2	S S,E			1
V35 "Bonanza"	L	IO-520-B (TCM)	P4065195-02 P4067482-52 P4067482-54	3A32C406/82NDB-2	80.0	78.5	30			13.3		29.0	D-5541 D-5259	P P		SA1166GL D'Shannon	29
V35 "Bonanza"	L	IO-520-BA (TCM)	OBSOLETE	2A36C23/84B-0	84.0	82.0	30			13.3		29.7	D-3396 D-3396-2 D-2822	S S,E S			1
V35 "Bonanza"	L	IO-520-BA (TCM)	P2235197-54	2A37C223/90RB-6	84.0	82.0	30			13.3		29.7	D-3396 D-3396-2 D-5255 D-5255-2	S S,E P P,E	C290D3/T23	SA1489GL McCaughey PL60306 PL60307 PL60316 PL60317	
V35 "Bonanza"	L	IO-520-BA (TCM)	OBSOLETE	3A32C76/82NB-2	80.0	78.5	30			13.3		29.0	D-3584 D-3584-2	S S,E			1
V35 "Bonanza"	L	IO-520-BA (TCM)	P4065195-02 P4067482-52 P4067482-54	3A32C406/82NDB-2	80.0	78.5	30			13.3		29.0	D-5541 D-5259	P P		SA1166GL D'Shannon	29

Constant Speed Propeller Applications

Aircraft		Engine		Part Number	Model	Diameter		Ref		Blade Angles			Spinner		Governors	STC Number STC Holder STC Kit P/N	Notes
Model	TYPE	Model (Make)	Model			Max	Min	Sta	Rev	Low or Flight Idle	Latch or Start Locks	High or Feather	Assembly P/N	Type			
V35 "Bonanza"	L	IO-520-BB (TCM)	OBSOLETE	2A36C23/84B-0	84.0	82.0	30			13.3		29.7	D-3396 D-3396-2 D-2822	S S,E S			1
V35 "Bonanza"	L	IO-520-BB (TCM)	P2235197-54	2A37C223/90RB-6	84.0	82.0	30			13.3		29.7	D-3396 D-3396-2 D-5255 D-5255-2	S S,E P P,E	C290D3/T23	SA1489GL McCauley PL60306 PL60307 PL60316 PL60317	
V35 "Bonanza"	L	IO-520-BB (TCM)	OBSOLETE	3A32C76/82NB-2	80.0	78.5	30			13.3		29.0	D-3584 D-3584-2	S S,E			1
V35 "Bonanza"	L	IO-520-BB (TCM)	P4065195-02 P4067482-52 P4067482-54	3A32C406/82NDB-2	80.0	78.5	30			13.3		29.0	D-5541 D-5259	P P		SA1166GL D'Shannon	29
V35 "Bonanza"	L	IO-550-B (TCM)	OBSOLETE	3A32C76/82NB-2	80.0	78.5	30			13.3		29.0	D-3584 D-3584-2	S S,E		SA2200SW D'Shannon	1
V35 "Bonanza"	L	IO-550-B (STC)	OBSOLETE	3A32C76/82NB-2	80.0	78.0	30									SA5223NM Tornado Alley Turbo	29 93
V35 "Bonanza"	L	IO-550-B (TCM)	P4065195-02 P4067482-52 P4067482-54	3A32C406/82NDB-2	80.0	78.5	30			13.3		29.0	D-5541 D-5259	P P		SA2200SW D'Shannon	29
V35 "Bonanza"	L	IO-550-B (TCM)	OBSOLETE	D3A32C76/82NB-2	80.0	78.5	30			13.3		29.0	D-3584 D-3600	S S	C290D3/T23	SA09619SC Hammock Aviation	1
V35 "Bonanza"	L	IO-550-B (TCM)	P4065195-02 P4067482-52 P4067482-54	3A32C406/82NDB-2	80.0	78.5	30			13.3		29.0	D-7168 D-5541 D-5259	P P P	C290D3/T23	SA09619SC Hammock Aviation	29
V35 "Bonanza"	L	IO-550-B (TCM)	P4065195-01 P4067482-51 P4067482-55	3A32C406/82NDB-4	78.0	77.0	30			15.8		34.9	D-7168 D-5541 D-5259	P P P	C290D3/T23	SA09619SC Hammock Aviation	29
V35 "Bonanza"	L	IO-550-B (TCM)	P4097757-52	D3A32C409/82NDB-2	80.0	78.5	30			13.7		28.8				SA2682NM Flightcraft	29
V35 "Bonanza"	L	IO-550-B (TCM)	P4097757-52	D3A32C409/82NDB-2	80.0	78.5	30			13.7		28.8	D-5541	P		SA2200SW D'Shannon	29
V35 "Bonanza"	L	IO-550-B (STC)		D3A32C409/82NDB-2	80.0	78.0	30									SA5223NM Tornado Alley Turbo	29 93
V35 "Bonanza"	L	IO-550-B (TCM)	P4097757-51 P4097757-52	D3A32C409/82NDB-2	80.0	78.5	30			13.7		28.8	D-7168 D-5541 D-5259	P P P	C290D3/T23	SA09619SC Hammock Aviation	29
V35 "Bonanza"	L	TSIO-520-D (TCM)	OBSOLETE	2A36C82/84B-2	82.0	80.0	30			14.3		34.5	D-3396 D-3396-2 D-2822	S S,E S			1
V35 "Bonanza"	L	TSIO-520-D (TCM)	OBSOLETE	3A32C76/82NB-2	80.0	78.5	30			14.2		34.0	D-3584 D-3584-2	S S,E			1
V35 "Bonanza"	L	TSIO-520-D (TCM)	P4065195-06 P4067482-56	3A32C406/82NDB-4	78.0	77.0	30			14.2		34.9	D-5541 D-5259	P P		SA01154CH D'Shannon	29
V35 "Bonanza"	L	TSIO-520-DB (TCM)	P4065195-06 P4067482-56	3A32C406/82NDB-4	78.0	77.0	30			14.2		34.9	D-5541 D-5259	P P		SA01154CH D'Shannon	29

Constant Speed Propeller Applications

Aircraft		Engine		Part Number	Model	Diameter		Ref		Blade Angles			Spinner		Governors	STC Number STC Holder STC Kit P/N	Notes
Model	TYPE	Model (Make)	Model			Max	Min	Sta	Rev	Low or Flight Idle	Latch or Start Locks	High or Feather	Assembly P/N	Type			
V35A "Bonanza"	L	IO-520-B (TCM)	OBSOLETE	2A36C23/84B-0	84.0	82.0	30			13.3		29.7	D-3396 D-3396-2 D-2822	S S,E S			1
V35A "Bonanza"	L	IO-520-B (TCM)	P2235197-54	2A37C223/90RB-6	84.0	82.0	30			13.3		29.7	D-3396 D-3396-2 D-5255 D-5255-2	S S,E P P,E	C290D3/T23	SA1489GL McCauley PL60306 PL60307 PL60316 PL60317	
V35A "Bonanza"	L	IO-520-B (TCM)	OBSOLETE	3A32C76/82NB-2	80.0	78.5	30			13.3		29.0	D-3584 D-3584-2	S S,E			1
V35A "Bonanza"	L	IO-520-B (TCM)	P4065195-02 P4067482-52 P4067482-54	3A32C406/82NDB-2	80.0	78.5	30			13.3		29.0	D-5541 D-5259	P P		SA1166GL D'Shannon	29
V35A "Bonanza"	L	IO-520-BA (TCM)	OBSOLETE	2A36C23/84B-0	84.0	82.0	30			13.3		29.7	D-3396 D-3396-2 D-2822	S S,E S			1
V35A "Bonanza"	L	IO-520-BA (TCM)	P2235197-54	2A37C223/90RB-6	84.0	82.0	30			13.3		29.7	D-3396 D-3396-2 D-5255 D-5255-2	S S,E P P,E	C290D3/T23	SA1489GL McCauley PL60306 PL60307 PL60316 PL60317	
V35A "Bonanza"	L	IO-520-BA (TCM)	OBSOLETE	3A32C76/82NB-2	80.0	78.5	30			13.3		29.0	D-3584 D-3584-2	S S,E			1
V35A "Bonanza"	L	IO-520-BA (TCM)	P4065195-02 P4067482-52 P4067482-54	3A32C406/82NDB-2	80.0	78.5	30			13.3		29.0	D-5541 D-5259	P P		SA1166GL D'Shannon	29
V35A "Bonanza"	L	IO-520-BB (TCM)	OBSOLETE	2A36C23/84B-0	84.0	82.0	30			13.3		29.7	D-3396 D-3396-2 D-2822	S S,E S			1
V35A "Bonanza"	L	IO-520-BB (TCM)	P2235197-54	2A37C223/90RB-6	84.0	82.0	30			13.3		29.7	D-3396 D-3396-2 D-5255 D-5255-2	S S,E P P,E	C290D3/T23	SA1489GL McCauley PL60306 PL60307 PL60316 PL60317	
V35A "Bonanza"	L	IO-520-BB (TCM)	OBSOLETE	3A32C76/82NB-2	80.0	78.5	30			13.3		29.0	D-3584 D-3584-2	S S,E			1
V35A "Bonanza"	L	IO-520-BB (TCM)	P4065195-02 P4067482-52 P4067482-54	3A32C406/82NDB-2	80.0	78.5	30			13.3		29.0	D-5541 D-5259	P P		SA1166GL D'Shannon	29
V35A "Bonanza"	L	IO-550-B (TCM)	OBSOLETE	3A32C76/82NB-2	80.0	78.5	30			13.3		29.0	D-3584 D-3584-2	S S,E		SA2200SW D'Shannon	1
V35A "Bonanza"	L	IO-550-B (STC)	OBSOLETE	3A32C76/82NB-2	80.0	78.0	30									SA5223NM Tornado Alley Turbo	29 93
V35A "Bonanza"	L	IO-550-B (TCM)	P4065195-02 P4067482-52 P4067482-54	3A32C406/82NDB-2	80.0	78.5	30			13.3		29.0	D-5541 D-5259	P P		SA2200SW D'Shannon	29

Constant Speed Propeller Applications

Aircraft		Engine			Diameter		Ref		Blade Angles			Spinner		Governors	STC Number STC Holder STC Kit P/N	Notes
Model	T Y P E	Model (Make)	Part Number	Model	Max	Min	Sta	Rev	Low or Flight Idle	Latch or Start Locks	High or Feather	Assembly P/N	T y p e			
V35A "Bonanza"	L	IO-550-B (TCM)	OBSOLETE	D3A32C76/82NB-2	80.0	78.5	30		13.3		29.0	D-3584 D-3600	S S	C290D3/T23	SA09619SC Hammock Aviation	1
V35A "Bonanza"	L	IO-550-B (TCM)	P4065195-02 P4067482-52 P4067482-54	3A32C406/82NDB-2	80.0	78.5	30		13.3		29.0	D-7168 D-5541 D-5259	P P P	C290D3/T23	SA09619SC Hammock Aviation	29
V35A "Bonanza"	L	IO-550-B (TCM)	P4065195-01 P4067482-51 P4067482-55	3A32C406/82NDB-4	78.0	77.0	30		15.8		34.9	D-7168 D-5541 D-5259	P P P	C290D3/T23	SA09619SC Hammock Aviation	29
V35A "Bonanza"	L	IO-550-B (TCM)	P4097757-52	D3A32C409/82NDB-2	80.0	78.5	30		13.7		28.8				SA2682NM Flightcraft	29
V35A "Bonanza"	L	IO-550-B (TCM)	P4097757-52	D3A32C409/82NDB-2	80.0	78.5	30		13.7		28.8	D-5541	P		SA2200SW D'Shannon	29
V35A "Bonanza"	L	IO-550-B (STC)		D3A32C409/82NDB-2	80.0	78.0	30								SA5223NM Tornado Alley Turbo	29 93
V35A "Bonanza"	L	IO-550-B (TCM)	P4097757-51 P4097757-52	D3A32C409/82NDB-2	80.0	78.5	30		13.7		28.8	D-7168 D-5541 D-5259	P P P	C290D3/T23	SA09619SC Hammock Aviation	29
V35A "Bonanza"	L	TSIO-520-D (TCM)	OBSOLETE	2A36C82/84B-2	82.0	80.0	30		14.3		34.5	D-3396 D-3396-2 D-2822	S S,E S			1
V35A "Bonanza"	L	TSIO-520-D (TCM)	OBSOLETE	3A32C76/82NB-2	80.0	78.5	30		14.2		34.0	D-3584 D-3584-2	S S,E			1
V35A "Bonanza"	L	TSIO-520-D (TCM)	P4065195-06 P4067482-56	3A32C406/82NDB-4	78.0	77.0	30		14.2		34.9	D-5541 D-5259	P P		SA01154CH D'Shannon	29
V35A "Bonanza"	L	TSIO-520-DB (TCM)	P4065195-06 P4067482-56	3A32C406/82NDB-4	78.0	77.0	30		14.2		34.9	D-5541 D-5259	P P		SA01154CH D'Shannon	29
V35B "Bonanza"	L	IO-520-B (TCM)	OBSOLETE	2A36C23/84B-0	84.0	82.0	30		13.3		29.7	D-3396 D-3396-2 D-2822	S S,E S	C290D3/T23		1
V35B "Bonanza"	L	IO-520-B (TCM)	P2235197-54	2A37C223/90RB-6	84.0	82.0	30		13.3		29.7	D-3396 D-3396-2 D-5255 D-5255-2	S S,E P P,E	C290D3/T23	SA1489GL McCauley PL60306 PL60307 PL60316 PL60317	
V35B "Bonanza"	L	IO-520-B (TCM)	OBSOLETE	3A32C76/82NB-2	80.0	78.5	30		13.3		29.0	D-3584 D-3584-2	S S,E	C290D3/T23		1
V35B "Bonanza"	L	IO-520-B (TCM)	P4065195-02 P4067482-52 P4067482-54	3A32C406/82NDB-2	80.0	78.5	30		13.3		29.0	D-5541 D-5259	P P		SA1166GL D'Shannon	29
V35B "Bonanza"	L	IO-520-BA (TCM)	OBSOLETE	2A36C23/84B-0	84.0	82.0	30		13.3		29.7	D-3396 D-3396-2 D-2822	S S,E S	C290D3/T23		1
V35B "Bonanza"	L	IO-520-BA (TCM)	P2235197-54	2A37C223/90RB-6	84.0	82.0	30		13.3		29.7	D-3396 D-3396-2 D-5255 D-5255-2	S S,E P P,E	C290D3/T23	SA1489GL McCauley PL60306 PL60307 PL60316 PL60317	

Constant Speed Propeller Applications

Aircraft		Engine		Model	Diameter		Ref		Blade Angles			Spinner		Governors	STC Number STC Holder STC Kit P/N	Notes
Model	T Y P E	Model (Make)	Part Number		Max	Min	Sta	Rev	Low or Flight Idle	Latch or Start Locks	High or Feather	Assembly P/N	T y p e			
V35B "Bonanza"	L	IO-520-BA (TCM)	OBSOLETE	3A32C76/82NB-2	80.0	78.5	30		13.3		29.0	D-3584 D-3584-2	S S,E	C290D3/T23		1
V35B "Bonanza"	L	IO-520-BA (TCM)	P4065195-02 P4067482-52 P4067482-54	3A32C406/82NDB-2	80.0	78.5	30		13.3		29.0	D-5541 D-5259	P P		SA1166GL D'Shannon	29
V35B (S/N D-10178 and below) "Bonanza"	L	IO-520-BB (TCM)	OBSOLETE	2A36C23/84B-0	84.0	82.0	30		13.3		29.7	D-3396 D-3396-2 D-2822	S S,E S	C290D3/T23		1
V35B "Bonanza"	L	IO-520-BB (TCM)	P2235197-54	2A37C223/90RB-6	84.0	82.0	30		13.3		29.7	D-3396 D-3396-2 D-5255 D-5255-2	S S,E P P,E	C290D3/T23	SA1489GL McCauley PL60306 PL60307 PL60316 PL60317	
V35B (S/N D-10178 and below) "Bonanza"	L	IO-520-BB (TCM)	OBSOLETE	3A32C76/82NB-2	80.0	78.5	30		13.3		29.0	D-3584 D-3584-2	S S,E	C290D3/T23		1
V35B (S/N D-10179 and up) "Bonanza"	L	IO-520-BB (TCM)	P4065195-02 P4067482-52	3A32C406/82NDB-2	80.0	78.5	30		13.3		29.0	D-7168 D-7168-2 D-5541 D-5259	P P,E P P	C290D3/T23		29
V35B "Bonanza"	L	IO-520-BB (TCM)	P4065195-02 P4067482-52 P4067482-54	3A32C406/82NDB-2	80.0	78.5	30		13.3		29.0	D-5541 D-5259	P P		SA1166GL D'Shannon	29
V35B "Bonanza"	L	IO-550-B (TCM)	OBSOLETE	3A32C76/82NB-2	80.0	78.5	30		13.3		29.0	D-3584 D-3584-2	S S,E		SA2200SW D'Shannon	1
V35B "Bonanza"	L	IO-550-B (STC)	OBSOLETE	3A32C76/82NB-2	80.0	78.0	30								SA5223NM Tornado Alley Turbo	29 93
V35B "Bonanza"	L	IO-550-B (TCM)	P4065195-02 P4067482-52 P4067482-54	3A32C406/82NDB-2	80.0	78.5	30		13.3		29.0	D-5541 D-5259	P P		SA2200SW D'Shannon	29
V35B "Bonanza"	L	IO-550-B (TCM)	OBSOLETE	D3A32C76/82NB-2	80.0	78.5	30		13.3		29.0	D-3584 D-3600	S S	C290D3/T23	SA09619SC Hammock Aviation	1
V35B "Bonanza"	L	IO-550-B (TCM)	P4065195-02 P4067482-52 P4067482-54	3A32C406/82NDB-2	80.0	78.5	30		13.3		29.0	D-7168 D-5541 D-5259	P P P	C290D3/T23	SA09619SC Hammock Aviation	29
V35B "Bonanza"	L	IO-550-B (TCM)	P4065195-01 P4067482-51 P4067482-55	3A32C406/82NDB-4	78.0	77.0	30		15.8		34.9	D-7168 D-5541 D-5259	P P P	C290D3/T23	SA09619SC Hammock Aviation	29
V35B "Bonanza"	L	IO-550-B (TCM)	P4097757-52	D3A32C409/82NDB-2	80.0	78.5	30		13.7		28.8				SA2682NM Flightcraft	29
V35B "Bonanza"	L	IO-550-B (TCM)	P4097757-52	D3A32C409/82NDB-2	80.0	78.5	30		13.7		28.8	D-5541	P		SA2200SW D'Shannon	29
V35B "Bonanza"	L	IO-550-B (STC)		D3A32C409/82NDB-2	80.0	78.0	30								SA5223NM Tornado Alley Turbo	29 93
V35B "Bonanza"	L	IO-550-B (TCM)	P4097757-51 P4097757-52	D3A32C409/82NDB-2	80.0	78.5	30		13.7		28.8	D-7168 D-5541 D-5259	P P P	C290D3/T23	SA09619SC Hammock Aviation	29

Constant Speed Propeller Applications

Aircraft		Engine			Diameter		Ref		Blade Angles			Spinner		Governors	STC Number STC Holder STC Kit P/N	Notes
Model	TYPE	Model (Make)	Part Number	Model	Max	Min	Sta	Rev	Low or Flight Idle	Latch or Start Locks	High or Feather	Assembly P/N	Type			
V35B "Bonanza"	L	TSIO-520-D (TCM)	OBSOLETE	2A36C82/84B-2	82.0	80.0	30		14.3		34.5	D-3396 D-3396-2 D-2822	S S,E S			1
V35B "Bonanza"	L	TSIO-520-D (TCM)	OBSOLETE	3A32C76/82NB-2	80.0	78.5	30		14.2		34.0	D-3584 D-3584-2	S S,E			1
V35B "Bonanza"	L	TSIO-520-D (TCM)	P4065195-06 P4067482-56	3A32C406/82NDB-4	78.0	77.0	30		14.2		34.9	D-5541 D-5259	P P		SA01154CH D'Shannon	29
V35B "Bonanza"	L	TSIO-520-DB (TCM)	P4065195-06 P4067482-56	3A32C406/82NDB-4	78.0	77.0	30		14.2		34.9	D-5541 D-5259	P P		SA01154CH D'Shannon	29
36 "Bonanza"	L	IO-520-B (TCM)	OBSOLETE	2A36C23/84B-0	84.0	82.0	30		13.3		29.7	D-3396 D-3396-2 D-2822	S S,E S			1
36 "Bonanza"	L	IO-520-B (TCM)	P2235197-54	2A37C223/90RB-6	84.0	82.0	30		13.3		29.7	D-3396 D-3396-2 D-5255 D-5255-2	S S,E P P,E	C290D3/T23	SA1489GL McCauley PL60306 PL60307 PL60316 PL60317	
36 "Bonanza"	L	IO-520-B (TCM)	OBSOLETE	3A32C76/82NB-2	80.0	78.5	30		13.3		29.0	D-3584 D-3584-2	S S,E			1
36 "Bonanza"	L	IO-520-B (TCM)	P4065195-02 P4067482-52 P4067482-54	3A32C406/82NDB-2	80.0	78.5	30		13.3		29.0	D-5541 D-5259	P P		SA1166GL D'Shannon	29
36 "Bonanza"	L	IO-520-BA (TCM)	OBSOLETE	2A36C23/84B-0	84.0	82.0	30		13.3		29.7	D-3396 D-3396-2 D-2822	S S,E S			1
36 "Bonanza"	L	IO-520-BA (TCM)	P2235197-54	2A37C223/90RB-6	84.0	82.0	30		13.3		29.7	D-3396 D-3396-2 D-5255 D-5255-2	S S,E P P,E	C290D3/T23	SA1489GL McCauley PL60306 PL60307 PL60316 PL60317	
36 "Bonanza"	L	IO-520-BA (TCM)	OBSOLETE	3A32C76/82NB-2	80.0	78.5	30		13.3		29.0	D-3584 D-3584-2	S S,E			1
36 "Bonanza"	L	IO-520-BA (TCM)	P4065195-02 P4067482-52 P4067482-54	3A32C406/82NDB-2	80.0	78.5	30		13.3		29.0	D-5541 D-5259	P P		SA1166GL D'Shannon	29
36 "Bonanza"	L	IO-520-BB (TCM)	OBSOLETE	2A36C23/84B-0	84.0	82.0	30		13.3		29.7	D-3396 D-3396-2 D-2822	S S,E S			1
36 "Bonanza"	L	IO-520-BB (TCM)	P2235197-54	2A37C223/90RB-6	84.0	82.0	30		13.3		29.7	D-3396 D-3396-2 D-5255 D-5255-2	S S,E P P,E	C290D3/T23	SA1489GL McCauley PL60306 PL60307 PL60316 PL60317	
36 "Bonanza"	L	IO-520-BB (TCM)	OBSOLETE	3A32C76/82NB-2	80.0	78.5	30		13.3		29.0	D-3584 D-3584-2	S S,E			1
36 "Bonanza"	L	IO-520-BB (TCM)	P4065195-02 P4067482-52 P4067482-54	3A32C406/82NDB-2	80.0	78.5	30		13.3		29.0	D-5541 D-5259	P P		SA1166GL D'Shannon	29

Constant Speed Propeller Applications

Aircraft		Engine		Model	Diameter		Ref		Blade Angles			Spinner		Governors	STC Number STC Holder STC Kit P/N	Notes
Model	T Y P E	Model (Make)	Part Number		Max	Min	Sta	Rev	Low or Flight Idle	Latch or Start Locks	High or Feather	Assembly P/N	T y p e			
36 "Bonanza"	L	TSIO-520-D (TCM)	OBSOLETE	2A36C82/84B-2	82.0	80.0	30		14.3		34.5	D-3396 D-3396-2 D-2822	S S,E S		SA994NW Flightcraft	1
36 "Bonanza"	L	TSIO-520-D (TCM)	OBSOLETE	3A32C76/82NB-2	80.0	78.5	30		14.2		34.0	D-3584 D-3584-2	S S,E		SA994NW Flightcraft	1
36 "Bonanza"	L	IO-550-B (TCM)	OBSOLETE	3A32C76/82NB-2	80.0	78.5	30		13.3		29.0	D-3584 D-3584-2	S S,E		SA2200SW D'Shannon	1
36 "Bonanza"	L	IO-550-B (STC)	OBSOLETE	3A32C76/82NB-2	80.0	78.0	30								SA5223NM Tornado Alley Turbo	29 93
36 "Bonanza"	L	IO-550-B (TCM)	P4065195-02 P4067482-52 P4067482-54	3A32C406/82NDB-2	80.0	78.5	30		13.3		29.0	D-5541 D-5259	P P		SA2200SW D'Shannon	29
36 "Bonanza"	L	IO-550-B (TCM)	OBSOLETE	D3A32C76/82NB-2	80.0	78.5	30		13.3		29.0	D-3584 D-3600	S S	C290D3/T23	SA09619SC Hammock Aviation	1
36 "Bonanza"	L	IO-550-B (TCM)	P4065195-02 P4067482-52 P4067482-54	3A32C406/82NDB-2	80.0	78.5	30		13.3		29.0	D-7168 D-5541 D-5259	P P P	C290D3/T23	SA09619SC Hammock Aviation	29
36 "Bonanza"	L	IO-550-B (TCM)	P4065195-01 P4067482-51 P4067482-55	3A32C406/82NDB-4	78.0	77.0	30		15.8		34.9	D-7168 D-5541 D-5259	P P P	C290D3/T23	SA09619SC Hammock Aviation	29
36 "Bonanza"	L	IO-550-B (STC)		D3A32C409/82NDB-2	80.0	78.0	30								SA5223NM Tornado Alley Turbo	29 93
36 "Bonanza"	L	IO-550-B (TCM)	P4097757-52	D3A32C409/82NDB-2	80.0	78.5	30		13.7		28.8				SA2682NM Flightcraft	29
36 "Bonanza"	L	IO-550-B (TCM)	P4097757-52	D3A32C409/82NDB-2	80.0	78.5	30		13.7		28.8	D-5541	P		SA2200SW D'Shannon	29
36 "Bonanza"	L	IO-550-B (TCM)	P4097757-51 P4097757-52	D3A32C409/82NDB-2	80.0	78.5	30		13.7		28.8	D-7168 D-5541 D-5259	P P P	C290D3/T23	SA09619SC Hammock Aviation	29
A36 (S/N E-185 - E-1370) "Bonanza"	L	IO-520-B (TCM)	OBSOLETE	2A36C23/84B-0	84.0	82.0	30		13.3		29.7	D-3396 D-3396-2 D-2822	S S,E S	C290D3/T23		1
A36 "Bonanza"	L	IO-520-B (TCM)	P2235197-54	2A37C223/90RB-6	84.0	82.0	30		13.3		29.7	D-3396 D-3396-2 D-5255 D-5255-2	S S,E P P,E	C290D3/T23	SA1489GL McCauley PL60306 PL60307 PL60316 PL60317	
A36 (S/N E-185 - E-1370) "Bonanza"	L	IO-520-B (TCM)	OBSOLETE	3A32C76/82NB-2	80.0	78.5	30		13.3		29.0	D-3584 D-3584-2	S S,E	C290D3/T23		1
A36 "Bonanza"	L	IO-520-B (TCM)	P4065195-02 P4067482-52 P4067482-54	3A32C406/82NDB-2	80.0	78.5	30		13.3		29.0	D-5541 D-5259	P P		SA1166GL D'Shannon	29
A36 (S/N E-185 - E-1370) "Bonanza"	L	IO-520-BA (TCM)	OBSOLETE	2A36C23/84B-0	84.0	82.0	30		13.3		29.7	D-3396 D-3396-2 D-2822	S S,E S	C290D3/T23		1

Constant Speed Propeller Applications

Aircraft		Engine			Diameter		Ref		Blade Angles			Spinner		Governors	STC Number STC Holder STC Kit P/N	Notes
Model	TYPE	Model (Make)	Part Number	Model	Max	Min	Sta	Rev	Low or Flight Idle	Latch or Start Locks	High or Feather	Assembly P/N	Type			
A36 "Bonanza"	L	IO-520-BA (TCM)	P2235197-54	2A37C223/90RB-6	84.0	82.0	30		13.3		29.7	D-3396 D-3396-2 D-5255 D-5255-2	S S,E P P,E	C290D3/T23	SA1489GL McCauley PL60306 PL60307 PL60316 PL60317	
A36 (S/N E-185 - E-1370) "Bonanza"	L	IO-520-BA (TCM)	OBSOLETE	3A32C76/82NB-2	80.0	78.5	30		13.3		29.0	D-3584 D-3584-2	S S,E	C290D3/T23		1
A36 "Bonanza"	L	IO-520-BA (TCM)	P4065195-02 P4067482-52 P4067482-54	3A32C406/82NDB-2	80.0	78.5	30		13.3		29.0	D-5541 D-5259	P P		SA1166GL D'Shannon	29
A36 (S/N E-185 - E-1240) "Bonanza"	L	IO-520-BB (TCM)	OBSOLETE	2A36C23/84B-0	84.0	82.0	30		13.3		29.7	D-3396 D-3396-2 D-2822	S S,E S	C290D3/T23		1
A36 "Bonanza"	L	IO-520-BB (TCM)	P2235197-54	2A37C223/90RB-6	84.0	82.0	30		13.3		29.7	D-3396 D-3396-2 D-5255 D-5255-2	S S,E P P,E	C290D3/T23	SA1489GL McCauley PL60306 PL60307 PL60316 PL60317	
A36 (S/N E-185 - E-1240) "Bonanza"	L	IO-520-BB (TCM)	OBSOLETE	3A32C76/82NB-2	80.0	78.5	30		13.3		29.0	D-3584 D-3584-2	S S,E	C290D3/T23		1
A36 (S/N E-1111, E-1241 - E-2110, except E-1946 and E-2104) "Bonanza"	L	IO-520-BB (TCM)	P4065195-02 P4067482-52	3A32C406/82NDB-2	80.0	78.5	30		13.3		29.0	D-7168 D-7168-2 D-5541 D-5259	P P,E P P	C290D3/T23		29
A36 "Bonanza"	L	IO-520-BB (TCM)	P4065195-02 P4067482-52 P4067482-54	3A32C406/82NDB-2	80.0	78.5	30		13.3		29.0	D-5541 D-5259	P P		SA1166GL D'Shannon	29
A36 "Bonanza"	L	TSIO-520-D (TCM)	OBSOLETE	2A36C82/84B-2	82.0	80.0	30		14.3		34.5	D-3396 D-3396-2 D-2822	S S,E S		SA994NW Flightcraft	1
A36 "Bonanza"	L	TSIO-520-D (TCM)	OBSOLETE	3A32C76/82NB-2	80.0	78.5	30		14.2		34.0	D-3584 D-3584-2	S S,E		SA994NW Flightcraft	1
A36 "Bonanza"	L	IO-550-B (STC)	OBSOLETE	3A32C76/82NB-2	80.0	78.0	30								SA5223NM Tornado Alley Turbo	29 93
A36 "Bonanza"	L	IO-550-B (TCM)	P4065195-02 P4067482-52 P4067482-54	3A32C406/82NDB-2	80.0	78.5	30		13.3		29.0	D-5541 D-5259	P P		SA2200SW D'Shannon	29
A36 "Bonanza"	L	IO-550-B (TCM)	OBSOLETE	D3A32C76/82NB-2	80.0	78.5	30		13.3		29.0	D-3584 D-3600	S S	C290D3/T23	SA09619SC Hammock Aviation	1
A36 "Bonanza"	L	IO-550-B (TCM)	P4065195-02 P4067482-52 P4067482-54	3A32C406/82NDB-2	80.0	78.5	30		13.3		29.0	D-7168 D-5541 D-5259	P P P	C290D3/T23	SA09619SC Hammock Aviation	29
A36 "Bonanza"	L	IO-550-B (TCM)	P4065195-01 P4067482-51 P4067482-55	3A32C406/82NDB-4	78.0	77.0	30		15.8		34.9	D-7168 D-5541 D-5259	P P P	C290D3/T23	SA09619SC Hammock Aviation	29

Constant Speed Propeller Applications

Aircraft		Engine		Part Number	Model	Diameter		Ref	Blade Angles				Spinner		Governors	STC Number STC Holder STC Kit P/N	Notes
Model	T Y P E	Model (Make)				Max	Min		Sta	Rev	Low or Flight Idle	Latch or Start Locks	High or Feather	Assembly P/N			
A36 (S/N E-1946, E-2104, E-2111 - E-3635, except E-3630) "Bonanza"	L	IO-550-B (TCM)	P4097757-51	D3A32C409/82NDB-2	80.0	78.5	30		13.7		28.8	D-7168 D-7168-2 D-5541 D-5259	P P,E P	C290D3/T23		29	
A36 "Bonanza"	L	IO-550-B (TCM)	P4097757-52	D3A32C409/82NDB-2	80.0	78.5	30		13.7		28.8	D-5541	P		SA2200SW D'Shannon	29	
A36 "Bonanza"	L	IO-550-B (TCM)	P4097757-51 P4097757-52	D3A32C409/82NDB-2	80.0	78.5	30		13.7		28.8	D-7168 D-5541 D-5259	P P P	C290D3/T23	SA09619SC Hammock Aviation	29	
A36 "Bonanza"	L	IO-550-B (TCM)	P4097757-52	D3A32C409/82NDB-2	80.0	78.5	30		13.7		28.8				SA2682NM Flightcraft	29	
A36 "Bonanza"	L	IO-550-B (STC)		D3A32C409/82NDB-2	80.0	78.0	30								SA5223NM Tornado Alley Turbo	29 93	
A36 (S/N E-1946, E-2104, E-2111 - E-3635, except E-3630) "Bonanza"	L	IO-550-B (TCM)		Hartzell - See note 22 in aircraft TCDS										C290D3/T23			
A36 (S/N E-2581 and up) "Bonanza"	L	IO-550-B (TCM)		Hartzell - See aircraft TCDS										C290D3/T37		51	
A36TC "Bonanza"	L	TSIO-520-U (TCM)	OBSOLETE	3A32C76/82NB-2	80.0	78.5	30		15.0		34.0	D-3584 D-3584-2	S S,E	C290D3/T23		1	
A36TC "Bonanza"	L	TSIO-520-U (TCM)	P4065195-01 P4067482-51	3A32C406/82NDB-4	78.0	77.0	30		15.8		34.9	D-5541 D-5259	P P		SA619CH D'Shannon	29	
A36TC "Bonanza"	L	TSIO-520-U (TCM)		Hartzell - See aircraft TCDS										C290D3/T23			
A36TC "Bonanza"	L	TSIO-520-UB (TCM)	OBSOLETE	3A32C76/82NB-2	80.0	78.5	30		15.0		34.0	D-3584 D-3584-2	S S,E	C290D3/T23		1	
A36TC "Bonanza"	L	TSIO-520-UB (TCM)	P4065195-01 P4067482-51	3A32C406/82NDB-4	78.0	77.0	30		15.8		34.9	D-5541 D-5259	P P		SA619CH D'Shannon	29	
A36TC "Bonanza"	L	TSIO-520-UB (TCM)		Hartzell - See aircraft TCDS										C290D3/T23			
B36TC "Bonanza"	L	TSIO-520-UB (TCM)	P4065195-01 P4067482-51	3A32C406/82NDB-4	78.0	77.0	30		15.8		34.9	D-7168 D-7168-2 D-5541 D-5259	P P,E P	C290D3/T23		29	
G36 "Bonanza"	L	IO-550-B (TCM)		Hartzell - See aircraft TCDS										C290D3/T23			
A45 "Mentor" "Military T-34A, B-45"	L	IO-520-B (TCM)	OBSOLETE	2A36C23/84B-0	84.0	82.0	30		13.0		29.2				SA1450SW Parks Industries	1	
A45 "Mentor" "Military T-34A, B-45"	L	IO-520-B (TCM)	OBSOLETE	2A36C23/84B-0	84.0	82.0	30					D-3396	S		SA1864SW Nogle and Black Aviation	1	
A45 "Mentor" "Military T-34A, B-45"	L	IO-520-B (TCM)	OBSOLETE	3A32C76/82NB-2	80.0	78.5	30					D-3584	S		SA1864SW Nogle and Black Aviation	1	

Constant Speed Propeller Applications

Aircraft		Engine		Part Number	Model	Diameter		Ref		Blade Angles			Spinner		Governors	STC Number STC Holder STC Kit P/N	Notes
Model	TYPE	Model (Make)	Model			Max	Min	Sta	Rev	Low or Flight Idle	Latch or Start Locks	High or Feather	Assembly P/N	Type			
A45 "Mentor" "Military T-34A, B-45"	L	IO-520-BA (TCM)	OBSOLETE	2A36C23/84B-0	84.0	82.0	30			13.0		29.2			SA1450SW Parks Industries	1	
A45 "Mentor" "Military T-34A, B-45"	L	IO-520-BA (TCM)	OBSOLETE	2A36C23/84B-0	84.0	82.0	30					D-3396	S		SA1864SW Nogle and Black Aviation	1	
A45 "Mentor" "Military T-34A, B-45"	L	IO-520-BA (TCM)	OBSOLETE	3A32C76/82NB-2	80.0	78.0	30			13.3		30.0			SA1450SW Parks Industries	1	
A45 "Mentor" "Military T-34A, B-45"	L	IO-520-BA (TCM)	OBSOLETE	3A32C76/82NB-2	80.0	78.5	30					D-3584	S		SA1864SW Nogle and Black Aviation	1	
A45 "Mentor" "Military T-34A, B-45"	L	IO-520-BB (TCM)	OBSOLETE	2A36C23/84B-0	84.0	82.0	30			13.0		29.2			SA1450SW Parks Industries	1	
A45 "Mentor" "Military T-34A, B-45"	L	IO-520-BB (TCM)	OBSOLETE	2A36C23/84B-0	84.0	82.0	30					D-3396	S		SA1864SW Nogle and Black Aviation	1	
A45 "Mentor" "Military T-34A, B-45"	L	IO-520-BB (TCM)	OBSOLETE	3A32C76/82NB-2	80.0	78.5	30			13.3		30.0			SA1450SW Parks Industries	1	
A45 "Mentor" "Military T-34A, B-45"	L	IO-520-BB (TCM)	OBSOLETE	3A32C76/82NB-2	80.0	78.5	30					D-3584	S		SA1864SW Nogle and Black Aviation	1	
A45 "Mentor" "Military T-34A, B-45"	L	IO-520-BB (TCM)		3A32C406/82NDB-2	80.0		30					D-5259 D-5541	P P		SA1864SW Nogle and Black Aviation	29	
A45 "Mentor" "Military T-34A, B-45"	L	IO-550-B (TCM)	P4097757-52	D3A32C409/82NDB-2	80.0	78.5	30			13.7		28.8	D-5541	P	SA1450SW Parks Industries	29	
A45 "Mentor" "Military T-34A, B-45"	L	IO-550-B (TCM)		D3A32C409/82NDB-2	80.0	78.5	30					D-5259 D-5541	P P		SA1864SW Nogle and Black Aviation	29	
D45 "Mentor" "Military T-34B"	L	IO-520-B (TCM)	OBSOLETE	2A36C23/84B-0	84.0	82.0	30			13.0		29.2			SA1450SW Parks Industries	1	
D45 "Mentor" "Military T-34B"	L	IO-520-B (TCM)	OBSOLETE	2A36C23/84B-0	84.0	82.0	30					D-3396	S		SA1864SW Nogle and Black Aviation	1	
D45 "Mentor" "Military T-34B"	L	IO-520-B (TCM)	OBSOLETE	3A32C76/82NB-2	80.0	78.5	30					D-3584	S		SA1864SW Nogle and Black Aviation	1	
D45 "Mentor" "Military T-34B"	L	IO-520-BA (TCM)	OBSOLETE	2A36C23/84B-0	84.0	82.0	30			13.0		29.2			SA1450SW Parks Industries	1	
D45 "Mentor" "Military T-34B"	L	IO-520-BA (TCM)	OBSOLETE	2A36C23/84B-0	84.0	82.0	30					D-3396	S		SA1864SW Nogle and Black Aviation	1	
D45 "Mentor" "Military T-34B"	L	IO-520-BA (TCM)	OBSOLETE	3A32C76/82NB-2	80.0	78.0	30			13.3		30.0			SA1450SW Parks Industries	1	

Constant Speed Propeller Applications

Aircraft		Engine		Model	Diameter		Ref		Blade Angles			Spinner		Governors	STC Number STC Holder STC Kit P/N	Notes
Model	Type	Model (Make)	Part Number		Max	Min	Sta	Rev	Low or Flight Idle	Latch or Start Locks	High or Feather	Assembly P/N	Type			
D45 "Mentor" "Military T-34B"	L	IO-520-BA (TCM)	OBSOLETE	3A32C76/82NB-2	80.0	78.5	30					D-3584	S		SA1864SW Nogle and Black Aviation	1
D45 "Mentor" "Military T-34B"	L	IO-520-BB (TCM)	OBSOLETE	2A36C23/84B-0	84.0	82.0	30		13.0		29.2				SA1450SW Parks Industries	1
D45 "Mentor" "Military T-34B"	L	IO-520-BB (TCM)	OBSOLETE	2A36C23/84B-0	84.0	82.0	30					D-3396	S		SA1864SW Nogle and Black Aviation	1
D45 "Mentor" "Military T-34B"	L	IO-520-BB (TCM)	OBSOLETE	3A32C76/82NB-2	80.0	78.5	30		13.3		30.0				SA1450SW Parks Industries	1
D45 "Mentor" "Military T-34B"	L	IO-520-BB (TCM)	OBSOLETE	3A32C76/82NB-2	80.0	78.5	30					D-3584	S		SA1864SW Nogle and Black Aviation	1
D45 "Mentor" "Military T-34B"	L	IO-520-BB (TCM)		3A32C406/82NDB-2	80.0		30					D-5259 D-5541	P P		SA1864SW Nogle and Black Aviation	29
D45 "Mentor" "Military T-34B"	L	IO-550-B (TCM)	P4097757-52	D3A32C409/82NDB-2	80.0	78.5			13.7		28.8	D-5541	P		SA1450SW Parks Industries	29
D45 "Mentor" "Military T-34B"	L	IO-550-B (TCM)		D3A32C409/82NDB-2	80.0	78.5	30					D-5259 D-5541	P P		SA1864SW Nogle and Black Aviation	29
B50 "Twin Bonanza" "Military L-23B"	L	GO-480-G2D6 (LY)	P5247549-01 P5247549-0182	3AF32C524/90UMB-0	90.0	88.0	30		13.0	16.8	82.6	D-5215	P,A		SA00860CH McCauley PL60236 PL60237	
B50 "Twin Bonanza" "Military L-23B"	L	GO-480-G2F6 (LY)	P5247549-01 P5247549-0182	3AF32C524/90UMB-0	90.0	88.0	30		13.0	16.8	82.6	D-5215	P,A		SA00860CH McCauley PL60236 PL60237	
C50 "Twin Bonanza"	L	GO-480-G2D6 (LY)	P5247549-01 P5247549-0182	3AF32C524/90UMB-0	90.0	88.0	30		13.0	16.8	82.6	D-5215	P,A		SA00860CH McCauley PL60236 PL60237	
C50 "Twin Bonanza"	L	GO-480-G2F6 (LY)	P5247549-01 P5247549-0182	3AF32C524/90UMB-0	90.0	88.0	30		13.0	16.8	82.6	D-5215	P,A		SA00860CH McCauley PL60236 PL60237	
D50 "Twin Bonanza" "Military L-23E"	L	GO-480-C2C6 (LY)	P5247549-01 P5247549-0182	3AF32C524/90UMB-0	90.0	88.0	30		13.0	16.8	82.6	D-5215	P,A		SA00860CH McCauley PL60236 PL60237	
D50 "Twin Bonanza" "Military L-23E"	L	GO-480-C2D6 (LY)	P5247549-01 P5247549-0182	3AF32C524/90UMB-0	90.0	88.0	30		13.0	16.8	82.6	D-5215	P,A		SA00860CH McCauley PL60236 PL60237	
D50 "Twin Bonanza" "Military L-23E"	L	GO-480-G2D6 (LY)	P5247549-01 P5247549-0182	3AF32C524/90UMB-0	90.0	88.0	30		13.0	16.8	82.6	D-5215	P,A		SA00860CH McCauley PL60236 PL60237	

Constant Speed Propeller Applications

Aircraft		Engine		Part Number	Model	Diameter		Ref		Blade Angles			Spinner		Governors	STC Number STC Holder STC Kit P/N	Notes
Model	TYPE	Model (Make)	Model (Make)			Max	Min	Sta	Rev	Low or Flight Idle	Latch or Start Locks	High or Feather	Assembly P/N	Type			
D50A "Twin Bonanza"	L	GO-480-G2D6 (LY)	P5247549-01 P5247549-0182	3AF32C524/90UMB-0	90.0	88.0	30		13.0	16.8	82.6	D-5215	P,A		SA00860CH McCaughey PL60236 PL60237		
D50B "Twin Bonanza"	L	GO-480-G2D6 (LY)	P5247549-01 P5247549-0182	3AF32C524/90UMB-0	90.0	88.0	30		13.0	16.8	82.6	D-5215	P,A		SA00860CH McCaughey PL60236 PL60237		
D50C "Twin Bonanza"	L	GO-480-G2D6 (LY)	P5247549-01 P5247549-0182	3AF32C524/90UMB-0	90.0	88.0	30		13.0	16.8	82.6	D-5215	P,A		SA00860CH McCaughey PL60236 PL60237		
D50E "Twin Bonanza"	L	GO-480-G2F6 (LY)	P5247549-01 P5247549-0182	3AF32C524/90UMB-0	90.0	88.0	30		13.0	16.8	82.6	D-5215	P,A		SA00860CH McCaughey PL60236 PL60237		
95-55 "Baron"	L	IO-470-L (TCM)	OBSOLETE	2AF36C39/78BFM-0	78.0	76.0	30		14.6	18.2	83.0	D-2802 D-2749	S,A S			1	
95-55 "Baron"	L	IO-470-L (TCM)	OBSOLETE	2AF34C55/78FF-0	78.0	76.0	30		15.0	19.3	79.0	D-3831 D-2802-1 D-2749	S,A S,A S			1	
95-55 "Baron"	L	IO-470-L (TCM)	OBSOLETE	2AF36C89/78BFS-0	78.0	76.0	30		15.0	19.3	79.0	D-2802 D-2749	S,A S			1	
95-55 "Baron"	L	IO-470-L (TCM)	OBSOLETE	3AF32C75/82NB-6	76.0		30		14.0	17.1	81.2	D-3499 D-3605	S,E S,A		SA2882WE US Prop of Connecticut		
95-55 "Baron"	L	IO-470-L (TCM)	P5045186-10 P5045186-1081 P5045186-1052	3AF32C504/82NEA-4	78.0	76.0	30		12.5	16.3	81.3	D-7777	P,A,E		SA01848CH McCaughey PL60340 PL60341 PL60342		
95-55 "Baron"	L	IO-470-L-MOD (STC)	OBSOLETE	2AF34C55/78FF-0	78.0	76.0	30		15.0	16.3	79.0				SA02262CH Chuck Ney Enterprises	1	
95-55 "Baron"	L	IO-470-L-MOD (STC)	OBSOLETE	3AF32C75/82NB-6	76.0	76.0	30		14.0	16.3	81.2				SA02262CH Chuck Ney Enterprises	1	
95-55 "Baron"	L	IO-470-L-MOD (STC)		3AF32C504/82NEA-4	78.0	76.5	30		14.2	16.3	81.2	D-7777	P,A,E		SA02262CH Chuck Ney Enterprises		
95-A55 "Baron"	L	IO-470-L (TCM)	OBSOLETE	2AF36C39/78BFM-0	78.0	76.0	30		14.6	18.2	83.0	D-2802 D-2749	S,A S			1	
95-A55 "Baron"	L	IO-470-L (TCM)	OBSOLETE	2AF34C55/78FF-0	78.0	76.0	30		15.0	19.3	79.0	D-3831 D-2802-1 D-2749	S,A S,A S			1	
95-A55 "Baron"	L	IO-470-L (TCM)	OBSOLETE	2AF36C89/78BFS-0	78.0	76.0	30		15.0	19.3	79.0	D-2802 D-2749	S,A S			1	
95-A55 "Baron"	L	IO-470-L (TCM)	OBSOLETE	3AF32C75/82NB-6	76.0		30		14.0	17.1	81.2	D-3499 D-3605	S,E S,A		SA2882WE US Prop of Connecticut		

Constant Speed Propeller Applications

Aircraft		Engine		Part Number	Model	Diameter		Ref		Blade Angles			Spinner		Governors	STC Number STC Holder STC Kit P/N	Notes
Model	TYPE	Model (Make)	Model			Max	Min	Sta	Rev	Low or Flight Idle	Latch or Start Locks	High or Feather	Assembly P/N	Type			
95-A55 "Baron"	L	IO-470-L (TCM)	P5045186-10 P5045186-1081 P5045186-1052	3AF32C504/82NEA-4	78.0	76.0	30		12.5	16.3	81.3	D-7777	P,A,E		SA01848CH McCauley PL60340 PL60341 PL60342		
95-A55 "Baron"	L	IO-470-L-MOD (STC)	OBSOLETE	2AF34C55/78FF-0	78.0	76.0	30		15.0	16.3	79.0				SA02262CH Chuck Ney Enterprises	1	
95-A55 "Baron"	L	IO-470-L-MOD (STC)	OBSOLETE	3AF32C75/82NB-6	76.0	76.0	30		14.0	16.3	81.2				SA02262CH Chuck Ney Enterprises	1	
95-A55 "Baron"	L	IO-470-L-MOD (STC)		3AF32C504/82NEA-4	78.0	76.5	30		14.2	16.3	81.2	D-7777	P,A,E		SA02262CH Chuck Ney Enterprises		
95-B55 "Baron"	L	IO-470-L (TCM)	OBSOLETE	2AF34C55/78FF-0	78.0	76.0	30		15.0	19.3	79.0	D-3831 D-3462 D-3420 D-3404-3 D-2802-1 D-2749	S,A S,A S S,E S,A S			1 44	
95-B55 "Baron"	L	IO-470-L (TCM)	OBSOLETE	3AF32C75/82NB-6	76.0		30		14.0	17.1	81.2	D-3499 D-3605	S,E S,A		SA2882WE US Prop of Connecticut		
95-B55 "Baron"	L	IO-470-L (TCM)	P5045186-10 P5045186-1081 P5045186-1052	3AF32C504/82NEA-4	78.0	76.0	30		12.5	16.3	81.3	D-7777	P,A,E		SA01848CH McCauley PL60340 PL60341 PL60342		
95-B55 "Baron"	L	IO-470-L-MOD (STC)	OBSOLETE	2AF34C55/78FF-0	78.0	76.0	30		15.0	16.3	79.0				SA02262CH Chuck Ney Enterprises	1	
95-B55 "Baron"	L	IO-470-L-MOD (STC)	OBSOLETE	3AF32C75/82NB-6	76.0	76.0	30		14.0	16.3	81.2				SA02262CH Chuck Ney Enterprises	1	
95-B55 "Baron"	L	IO-470-L-MOD (STC)		3AF32C504/82NEA-4	78.0	76.5	30		14.2	16.3	81.2	D-7777	P,A,E		SA02262CH Chuck Ney Enterprises		
95-B55A "Baron"	L	IO-470-L (TCM)	OBSOLETE	2AF34C55/78FF-0	78.0	76.0	30		15.0	19.3	79.0	D-3831 D-3462 D-3420 D-3404-3 D-2802-1 D-2749	S,A S,A S S,E S,A S			1 44	
95-B55A "Baron"	L	IO-470-L (TCM)	OBSOLETE	3AF32C75/82NB-6	76.0		30		14.0	17.1	81.2	D-3499 D-3605	S,E S,A		SA2882WE US Prop of Connecticut		
95-B55A "Baron"	L	IO-470-L (TCM)	P5045186-10 P5045186-1081 P5045186-1052	3AF32C504/82NEA-4	78.0	76.0	30		12.5	16.3	81.3	D-7777	P,A,E		SA01848CH McCauley PL60340 PL60341 PL60342		

Constant Speed Propeller Applications

Aircraft		Engine		Part Number	Model	Diameter		Ref		Blade Angles			Spinner		Governors	STC Number STC Holder STC Kit P/N	Notes
Model	T Y P E	Model (Make)	Model (Make)			Max	Min	Sta	Rev	Low or Flight Idle	Latch or Start Locks	High or Feather	Assembly P/N	T y p e			
95-B55B "Baron, USAF T-42A"	L	IO-470-L (TCM)	OBSOLETE	2AF34C55/78FF-0	78.0	76.0	30			15.0	19.3	79.0	D-3831 D-3462 D-3420 D-3404-3 D-2802-1 D-2749	S,A S,A S S,E S,A S			1
95-B55B "Baron, USAF T-42A"	L	IO-470-L (TCM)	OBSOLETE	3AF32C75/82NB-6	76.0		30			14.0	17.1	81.2	D-3499 D-3605	S,E S,A		SA2882WE US Prop of Connecticut	
95-B55B "Baron, USAF T-42A"	L	IO-470-L (TCM)	P5045186-10 P5045186-1081 P5045186-1052	3AF32C504/82NEA-4	78.0	76.0	30			12.5	16.3	81.3	D-7777	P,A,E		SA01848CH McCauley PL60340 PL60341 PL60342	
95-C55 "Baron"	L	IO-520-C (TCM)	OBSOLETE	2AF34C55/78FF-0	78.0	76.0	30			15.0	19.3	79.0	D-3462 D-3420 D-3404-3	S,A S S,E			1
95-C55 "Baron"	L	IO-520-C (TCM)	OBSOLETE	3AF32C75/82NB-6	76.0	76.0	30			14.0	17.3	81.2	D-3605 D-3499	S,A S,E			1
95-C55 "Baron"	L	IO-520-C (TCM)		3AF32C504/82NEA-												SA00616AT Colemill	
95-C55 "Baron"	L	IO-520-CB (TCM)	OBSOLETE	2AF34C55/78FF-0	78.0	76.0	30			15.0	19.3	79.0	D-3462 D-3420 D-3404-3	S,A S S,E			1
95-C55 "Baron"	L	IO-520-CB (TCM)	OBSOLETE	3AF32C75/82NB-6	76.0	76.0	30			14.0	17.3	81.2	D-3605 D-3499	S,A S,E			1
95-C55 "Baron"	L	IO-520-CB (TCM)		3AF32C504/82NEA-												SA00616AT Colemill	
95-C55 "Baron"	L	IO-550-C (TCM)	P5125358-01	3AF32C512/82NEA-5	77.0	76.5	30			15.2	18.5	82.4				SA3845SW D'Shannon	
95-C55A "Baron"	L	IO-520-C (TCM)	OBSOLETE	2AF34C55/78FF-0	78.0	76.0	30			15.0	19.3	79.0	D-3462 D-3420 D-3404-3	S,A S S,E			1
95-C55A "Baron"	L	IO-520-C (TCM)	OBSOLETE	3AF32C75/82NB-6	76.0	76.0	30			14.0	17.3	81.2	D-3605 D-3499	S,A S,E			1
95-C55A "Baron"	L	IO-520-C (TCM)		3AF32C504/82NEA-												SA00616AT Colemill	
95-C55A "Baron"	L	IO-520-CB (TCM)	OBSOLETE	2AF34C55/78FF-0	78.0	76.0	30			15.0	19.3	79.0	D-3462 D-3420 D-3404-3	S,A S S,E			1
95-C55A "Baron"	L	IO-520-CB (TCM)	OBSOLETE	3AF32C75/82NB-6	76.0	76.0	30			14.0	17.3	81.2	D-3605 D-3499	S,A S,E			1
95-C55A "Baron"	L	IO-520-CB (TCM)		3AF32C504/82NEA-												SA00616AT Colemill	
D55 "Baron"	L	IO-520-C (TCM)	OBSOLETE	2AF34C55/78FF-0	78.0	76.0	30			15.0	19.3	79.0	D-3462 D-3420 D-3404-3	S,A S S,E			1
D55 "Baron"	L	IO-520-C (TCM)	OBSOLETE	3AF32C75/82NB-6	76.0	76.0	30			14.0	17.3	81.2	D-3605 D-3499	S,A S,E			1
D55 "Baron"	L	IO-520-C (TCM)		3AF32C504/82NEA-												SA00616AT Colemill	

Constant Speed Propeller Applications

Aircraft		Engine			Diameter		Ref		Blade Angles			Spinner		Governors	STC Number STC Holder STC Kit P/N	Notes
Model	T Y P E	Model (Make)	Part Number	Model	Max	Min	Sta	Rev	Low or Flight Idle	Latch or Start Locks	High or Feather	Assembly P/N	T y p e			
D55 "Baron"	L	IO-520-CB (TCM)	OBSOLETE	2AF34C55/78FF-0	78.0	76.0	30		15.0	19.3	79.0	D-3462 D-3420 D-3404-3	S,A S S,E			1
D55 "Baron"	L	IO-520-CB (TCM)	OBSOLETE	3AF32C75/82NB-6	76.0	76.0	30		14.0	17.3	81.2	D-3605 D-3499	S,A S,E			1
D55 "Baron"	L	IO-520-CB (TCM)		3AF32C504/82NEA-											SA00616AT Colemill	
D55 "Baron"	L	IO-550-C (TCM)	P5125358-01	3AF32C512/82NEA-5	77.0	76.5	30		15.2	18.5	82.4				SA3845SW D'Shannon	
D55A "Baron"	L	IO-520-C (TCM)	OBSOLETE	2AF34C55/78FF-0	78.0	76.0	30		15.0	19.3	79.0	D-3462 D-3420 D-3404-3	S,A S S,E			1
D55A "Baron"	L	IO-520-C (TCM)	OBSOLETE	3AF32C75/82NB-6	76.0	76.0	30		14.0	17.3	81.2	D-3605 D-3499	S,A S,E			1
D55A "Baron"	L	IO-520-C (TCM)		3AF32C504/82NEA-											SA00616AT Colemill	
D55A "Baron"	L	IO-520-CB (TCM)	OBSOLETE	2AF34C55/78FF-0	78.0	76.0	30		15.0	19.3	79.0	D-3462 D-3420 D-3404-3	S,A S S,E			1
D55A "Baron"	L	IO-520-CB (TCM)	OBSOLETE	3AF32C75/82NB-6	76.0	76.0	30		14.0	17.3	81.2	D-3605 D-3499	S,A S,E			1
D55A "Baron"	L	IO-520-CB (TCM)		3AF32C504/82NEA-											SA00616AT Colemill	
E55 "Baron"	L	IO-520-C (TCM)	OBSOLETE	2AF34C55/78FF-0	78.0	76.0	30		15.0	19.3	79.0	D-3462 D-3420 D-3404-3	S,A S S,E			1 45
E55 "Baron"	L	IO-520-C (TCM)	OBSOLETE	3AF32C75/82NB-6	76.0	76.0	30		14.0	17.3	81.2	D-3605 D-3499	S,A S,E			1 45
E55 "Baron"	L	IO-520-C (TCM)		3AF32C504/82NEA-											SA00616AT Colemill	
E55 "Baron"	L	IO-520-CB (TCM)	OBSOLETE	2AF34C55/78FF-0	78.0	76.0	30		15.0	19.3	79.0	D-3462 D-3420 D-3404-3	S,A S S,E			1 45
E55 "Baron"	L	IO-520-CB (TCM)	OBSOLETE	3AF32C75/82NB-6	76.0	76.0	30		14.0	17.3	81.2	D-3605 D-3499	S,A S,E			1 45
E55 "Baron"	L	IO-520-CB (TCM)		3AF32C504/82NEA-											SA00616AT Colemill	
E55 "Baron"	L	IO-550-C (TCM)	P5125358-01	3AF32C512/82NEA-5	77.0	76.5	30		15.2	18.5	82.4				SA3845SW D'Shannon	
E55A "Baron"	L	IO-520-C (TCM)	OBSOLETE	2AF34C55/78FF-0	78.0	76.0	30		15.0	19.3	79.0	D-3462 D-3420 D-3404-3	S,A S S,E			1 45
E55A "Baron"	L	IO-520-C (TCM)	OBSOLETE	3AF32C75/82NB-6	76.0	76.0	30		14.0	17.3	81.2	D-3605 D-3499	S,A S,E			1 45
E55A "Baron"	L	IO-520-C (TCM)		3AF32C504/82NEA-											SA00616AT Colemill	
E55A "Baron"	L	IO-520-CB (TCM)	OBSOLETE	2AF34C55/78FF-0	78.0	76.0	30		15.0	19.3	79.0	D-3462 D-3420 D-3404-3	S,A S S,E			1 45
E55A "Baron"	L	IO-520-CB (TCM)	OBSOLETE	3AF32C75/82NB-6	76.0	76.0	30		14.0	17.3	81.2	D-3605 D-3499	S,A S,E			1 45

Constant Speed Propeller Applications

Aircraft		Engine		Part Number	Model	Diameter		Ref		Blade Angles			Spinner		Governors	STC Number STC Holder STC Kit P/N	Notes
Model	TYPE	Model (Make)	Model			Max	Min	Sta	Rev	Low or Flight Idle	Latch or Start Locks	High or Feather	Assembly P/N	Type			
E55A "Baron"	L	IO-520-CB (TCM)			3AF32C504/82NEA-											SA00616AT Colemill	
58 (S/N TH-1 - TH-1395, except TH-1389) "Baron"	L	IO-520-C (TCM)	OBSOLETE		D2AF34C30/78FF-0	78.0	76.0	30		15.0	19.3	79.0	D-4046 D-3953	S,A S			1 46
58 (S/N TH-1 - TH-1395, except TH-1389) "Baron"	L	IO-520-C (TCM)	OBSOLETE		D3AF32C35/82NB-6	76.0	76.0	30		14.0	17.3	81.2	D-4069 D-4068	S,A S			1 46
58 "Baron"	L	IO-520-C (TCM)			3AF32C512/82NEA											SA00616AT Colemill	
58 (S/N TH-1 - TH-1395, except TH-1389) "Baron"	L	IO-520-CB (TCM)	OBSOLETE		D2AF34C30/78FF-0	78.0	76.0	30		15.0	19.3	79.0	D-4046 D-3953	S,A S			1 46
58 (S/N TH-1 - TH-1395, except TH-1389) "Baron"	L	IO-520-CB (TCM)	OBSOLETE		D3AF32C35/82NB-6	76.0	76.0	30		14.0	17.3	81.2	D-4069 D-4068	S,A S			1 46
58 "Baron"	L	IO-520-CB (TCM)			3AF32C512/82NEA											SA00616AT Colemill	
58 (S/N TH-1389, TH-1396 and up) "Baron"	L	IO-550-C (TCM)	P5125358-01		3AF32C512/82NEA-5	77.0	76.5	30		15.2	18.5	82.4	D-5309 D-5310	E,P, NAC E,P, WAC			
58 "Baron"	L	IO-550-C (TCM)	P5125358-01		3AF32C512/82NEA-5	77.0	76.5	30		15.2	18.5	82.4				SA3845SW D'Shannon	
58A (S/N TH-1 - TH-1395, except TH-1389) "Baron"	L	IO-520-C (TCM)	OBSOLETE		D2AF34C30/78FF-0	78.0	76.0	30		15.0	19.3	79.0	D-4046 D-3953	S,A S			1 46
58A (S/N TH-1 - TH-1395, except TH-1389) "Baron"	L	IO-520-C (TCM)	OBSOLETE		D3AF32C35/82NB-6	76.0	76.0	30		14.0	17.3	81.2	D-4069 D-4068	S,A S			1 46
58A "Baron"	L	IO-520-C (TCM)			3AF32C512/82NEA											SA00616AT Colemill	
58A (S/N TH-1 - TH-1395, except TH-1389) "Baron"	L	IO-520-CB (TCM)	OBSOLETE		D2AF34C30/78FF-0	78.0	76.0	30		15.0	19.3	79.0	D-4046 D-3953	S,A S			1 46
58A (S/N TH-1 - TH-1395, except TH-1389) "Baron"	L	IO-520-CB (TCM)	OBSOLETE		D3AF32C35/82NB-6	76.0	76.0	30		14.0	17.3	81.2	D-4069 D-4068	S,A S			1 46
58A "Baron"	L	IO-520-CB (TCM)			3AF32C512/82NEA											SA00616AT Colemill	
58A (S/N TH-1389, TH-1396 and up) "Baron"	L	IO-550-C (TCM)	P5125358-01		3AF32C512/82NEA-5	77.0	76.5	30		15.2	18.5	82.4	D-5309 D-5310	E,P, NAC E,P, WAC			

Constant Speed Propeller Applications

Aircraft		Engine		Model	Diameter		Ref		Blade Angles			Spinner		Governors	STC Number STC Holder STC Kit P/N	Notes
Model	T Y P E	Model (Make)	Part Number		Max	Min	Sta	Rev	Low or Flight Idle	Latch or Start Locks	High or Feather	Assembly P/N	T y p e			
58A "Baron"	L	IO-550-C (TCM)	P5125358-01	3AF32C512/82NEA-5	77.0	76.5	30		15.2	18.5	82.4				SA3845SW D'Shannon	
58P (S/N TJ-169 - TJ-435, TJ-437 - TJ-443) "Pressurized Baron"	L	TSIO-520-WB (TCM)	P5115358-01	3AF32C511/82NEA-4	78.0	77.5	30		16.1	19.4	82.5	D-5311	P,E			
58P (S/N TJ-436, TJ-444 and up) "Pressurized Baron"	L	TSIO-520-WB (TCM)	P5115358-01 P5115358-0152	3AF32C511/82NEA-4	78.0	77.5	30		16.1	19.4	82.5	D-5311	P,E			
58P "Pressurized Baron"	L	TSIO-520-WB (TCM)	P5215358-01 P5215358-0118 P5215358-0152	3AF32C521/82NLA-4	78.0		30		14.0	17.3	82.2	D-5311	P,E		SA09022SC Ram Aircraft	
58PA (S/N TJ-169 - TJ-435, TJ-437 - TJ-443) "Pressurized Baron"	L	TSIO-520-WB (TCM)	P5115358-01	3AF32C511/82NEA-4	78.0	77.5	30		16.1	19.4	82.5	D-5311	P,E			
58PA (S/N TJ-436, TJ-444 and up) "Pressurized Baron"	L	TSIO-520-WB (TCM)	P5115358-01 P5115358-0152	3AF32C511/82NEA-4	78.0	77.5	30		16.1	19.4	82.5	D-5311	P,E			
58PA "Pressurized Baron"	L	TSIO-520-WB (TCM)	P5215358-01 P5215358-0118 P5215358-0152	3AF32C521/82NLA-4	78.0		30		14.0	17.3	82.2	D-5311	P,E		SA09022SC Ram Aircraft	
58TC (S/N TK-1 - TK-84) "Turbocharged Baron"	L	TSIO-520-L (TCM)	P5115358-01	3AF32C511/82NEA-4	78.0	77.5	30		16.1	19.4	82.5	D-5311	P,E			
58TC "Turbocharged Baron"	L	TSIO-520-L (TCM)	P5215358-01 P5215358-0118 P5215358-0152	3AF32C521/82NLA-4	78.0		30		14.0	17.3	82.2	D-5311	P,E		SA09022SC Ram Aircraft	
58TC (S/N TK-1 - TK-84) "Turbocharged Baron"	L	TSIO-520-LB (TCM)	P5115358-01	3AF32C511/82NEA-4	78.0	77.5	30		16.1	19.4	82.5	D-5311	P,E			
58TC "Turbocharged Baron"	L	TSIO-520-LB (TCM)	P5215358-01 P5215358-0118 P5215358-0152	3AF32C521/82NLA-4	78.0		30		14.0	17.3	82.2	D-5311	P,E		SA09022SC Ram Aircraft	
58TC (S/N TK-85 - TK-146, TK-148 - TK-150) "Turbocharged Baron"	L	TSIO-520-WB (TCM)	P5115358-01	3AF32C511/82NEA-4	78.0	77.5	30		16.1	19.4	82.5	D-5311	P,E			
58TC (S/N TK-147, TK-151 and up) "Turbocharged Baron"	L	TSIO-520-WB (TCM)	P5115358-01 P5115358-0152	3AF32C511/82NEA-4	78.0	77.5	30		16.1	19.4	82.5	D-5311	P,E			
58TC "Turbocharged Baron"	L	TSIO-520-WB (TCM)	P5215358-01 P5215358-0118 P5215358-0152	3AF32C521/82NLA-4	78.0		30		14.0	17.3	82.2	D-5311	P,E		SA09022SC Ram Aircraft	
58TCA (S/N TK-1 - TK-84) "Turbocharged Baron"	L	TSIO-520-L (TCM)	P5115358-01	3AF32C511/82NEA-4	78.0	77.5	30		16.1	19.4	82.5	D-5311	P,E			
58TCA "Turbocharged Baron"	L	TSIO-520-L (TCM)	P5215358-01 P5215358-0118 P5215358-0152	3AF32C521/82NLA-4	78.0		30		14.0	17.3	82.2	D-5311	P,E		SA09022SC Ram Aircraft	

Constant Speed Propeller Applications

Aircraft		Engine		Model	Diameter		Ref		Blade Angles			Spinner		Governors	STC Number STC Holder STC Kit P/N	Notes
Model	T Y P E	Model (Make)	Part Number		Max	Min	Sta	Rev	Low or Flight Idle	Latch or Start Locks	High or Feather	Assembly P/N	T y p e			
58TCA (S/N TK-1 - TK-84) "Turbocharged Baron"	L	TSIO-520-LB (TCM)	P5115358-01	3AF32C511/82NEA-4	78.0	77.5	30		16.1	19.4	82.5	D-5311	P,E			
58TCA "Turbocharged Baron"	L	TSIO-520-LB (TCM)	P5215358-01 P5215358-0118 P5215358-0152	3AF32C521/82NLA-4	78.0		30		14.0	17.3	82.2	D-5311	P,E		SA09022SC Ram Aircraft	
58TCA (S/N TK-85 - TK-146, TK-148 - TK-150) "Turbocharged Baron"	L	TSIO-520-WB (TCM)	P5115358-01	3AF32C511/82NEA-4	78.0	77.5	30		16.1	19.4	82.5	D-5311	P,E			
58TCA (S/N TK-147, TK-151 and up) "Turbocharged Baron"	L	TSIO-520-WB (TCM)	P5115358-01 P5115358-0152	3AF32C511/82NEA-4	78.0	77.5	30		16.1	19.4	82.5	D-5311	P,E			
58TCA "Turbocharged Baron"	L	TSIO-520-WB (TCM)	P5215358-01 P5215358-0118 P5215358-0152	3AF32C521/82NLA-4	78.0		30		14.0	17.3	82.2	D-5311	P,E		SA09022SC Ram Aircraft	
G58	L	IO-550-C (TCM)	P5125358-01	3AF32C512/82NEA-5	77.0	76.5	30		15.2		82.4	D-5309 D-5310	E,P, NAC E,P, WAC			
65-A90 "King Air"	L	PT6A-20 (PW)	P7636223-0152	4HFR34C763/94LMA-4	90.0	89.0	30	-10.0	18.3		85.5	E-5643	P,E		SA1241GL McCaughey PL60032	73
65-A90-1 "King Air" "Military U-21A, RU-21A, RU-21D, JU-21A, U21G, RU-21H"	L	PT6A-20 (PW)	P7636223-0152	4HFR34C763/94LMA-4	90.0	89.0	30	-10.0	18.3		85.5	E-5643	P,E		SA1241GL McCaughey PL60032	73
65-A90-4 "King Air" "Military RU-21E, RU21H"	L	PT6A-20 (PW)	P7636223-0152	4HFR34C763/94LMA-4	90.0	89.0	30	-10.0	18.3		85.5	E-5643	P,E		SA1241GL McCaughey PL60032	73
B90 "King Air"	L	PT6A-20 (PW)	P7636223-0152	4HFR34C763/94LMA-4	90.0	89.0	30	-10.0	18.3		85.5	E-5643	P,E		SA1241GL McCaughey PL60032	73
C90 (S/N LJ-502 thru LJ-583, and LJ-585, LJ-590, LJ-592, LJ-593, LJ601, LJ-604, LJ-612, LJ-619, LJ-620, LJ-622, LJ-652) "King Air"	L	PT6A-20 (PW)	P7636223-0152	4HFR34C763/94LMA-4	90.0	89.0	30	-10.0	18.3		85.5	E-5643	P,E		SA1241GL McCaughey PL60032	73
C90 (S/N LJ-670 and LJ-584 thru LJ-667 except for LJ-585, LJ-590, LJ-592, LJ-593, LJ601, LJ-604, LJ-612, LJ-619, LJ-620, LJ-622, LJ-652) "King Air"	L	PT6A-20A (PW)	P7625550-0152	4HFR34C762/94LMA-4	90.0	89.0	30	-10.0	18.3		85.8	E-5643	P,E		SA1241GL McCaughey PL60020	73 97

Constant Speed Propeller Applications

Aircraft		Engine		Part Number	Model	Diameter		Ref		Blade Angles			Spinner		Governors	STC Number STC Holder STC Kit P/N	Notes
Model	T Y P E	Model (Make)	Model			Max	Min	Sta	Rev	Low or Flight Idle	Latch or Start Locks	High or Feather	Assembly P/N	T y p e			
C90 (S/N LJ-668 thru LJ-1062 except for LJ-670) "King Air"	L	PT6A-21 (PW)	P7625550-0152	4HFR34C762/94LMA-4	90.0	89.0	30	-10.0	18.3		85.8	E-5643	P,E		SA1241GL McCaughey PL60020	73 97	
C90 "King Air"	L	PT6A-135A (PW)	P7625550-0152	4HFR34C762/94LMA-4	90.0	89.0	30	-10.0	18.3		85.8	E-5643	P,E		SA10364SC Blackhawk Mod	73	
C90 "King Air"	L	PT6A-135A (PW)	P7686790-0156	4HFR34C768/94LMA-4	90.0	89.0	30	-10.0	18.3		85.8				SA10364SC Blackhawk Mod	73	
C90 "King Air"	L	TPE331-10 (HW)	P11057393-0156	5HFR34C1105/96LRB-9	87.0	86.0	30	-12.4	2.0	8.0	84.4	E-7389-3	P,E		SA02388AT Kilo Alpha 290	76	
C90A (S/N LJ-1063 and up) "King Air"	L	PT6A-21 (PW)	P7625550-0152	4HFR34C762/94LMA-4	90.0	89.0	30	-10.0	18.3		85.8	E-5643	P,E		SA1241GL McCaughey PL60020	73	
C90A (S/N LJ-1288, LJ-1295, LJ-1302, LJ-1303, LJ-1305 - LJ-1308, LJ-1311, LJ-1312, LJ-1314 - LJ-1316, LJ-1318, LJ-1320 - LJ-1366, LJ-1368 - LJ-1372, LJ-1374 - LJ-1376, LJ-1378 - LJ-1383, LJ-1385, LJ-1387, LJ-1388, LJ-1390 - LJ-1393, LJ-1395, LJ-1396, LJ-1398 - LJ-1402, LJ-1404 - LJ-1410, LJ-1412 - LJ-1424, LJ-1426 - LJ-1430, LJ-1432 - LJ-1434, LJ-1436 and up) "King Air, C90B"	L	PT6A-21 (PW)	P7686790-0156	4HFR34C768/94LMA-4	90.0	89.0	30	-10.0	18.3		85.8	E-6662	P,E			50	
E90 "King Air"	L	PT6A-28 (PW)	P7625550-0152	4HFR34C762/94LMA-4	90.0	89.0	30	-10.0	18.3		85.8	E-5643	P,E		SA1241GL McCaughey PL60020	73 97	
E90 "King Air"	L	PT6A-135A (PW)	P7625550-0152	4HFR34C762/94LMA-4	90.0	89.0	30	-10.0	18.3		85.8	E-5643	P,E		SA10364SC Blackhawk Mod	73	
E90 "King Air"	L	PT6A-135A (PW)	P7686790-0156	4HFR34C768/94LMA-4	90.0	89.0	30	-10.0	18.3		85.8				SA10364SC Blackhawk Mod	73	
E90 "King Air"	L	TPE331-10 (HW)	P11057393-0156	5HFR34C1105/96LRB-9	87.0	86.0	30	-12.4	2.0	8.0	84.4	E-7389-3	P,E		SA02388AT Kilo Alpha 290	76	
99 "Airliner"	L	PT6A-20 (PW)	P7736790-0156	4HFR34C773/94LMA-4	90.0	89.0	30	-10.0	18.3		85.8	E-6350	P,E		SA1351GL McCaughey PL60171	73	
99A "Airliner"	L	PT6A-27 (PW)	P7696790-0156	4HFR34C769/94LMA-4	90.0	89.0	30	-10.0	18.3		85.8	E-6350	P,E		SA1351GL McCaughey PL60172	73	

Constant Speed Propeller Applications

Aircraft		Engine		Part Number	Model	Diameter		Ref		Blade Angles			Spinner		Governors	STC Number STC Holder STC Kit P/N	Notes
Model	T Y P E	Model (Make)	Model			Max	Min	Sta	Rev	Low or Flight Idle	Latch or Start Locks	High or Feather	Assembly P/N	T y p e			
99A "Airliner"	L	PT6A-28 (PW)	P7696790-0156	4HFR34C769/94LMA-4	90.0	89.0	30	-10.0	18.3		85.8	E-6350	P,E	SA1351GL McCauley PL60172	73		
A99 "Airliner"	L	PT6A-20 (PW)	P7736790-0156	4HFR34C773/94LMA-4	90.0	89.0	30	-10.0	18.3		85.8	E-6350	P,E	SA1351GL McCauley PL60171	73		
A99A "Airliner"	L	PT6A-27 (PW)	P7696790-0156	4HFR34C769/94LMA-4	90.0	89.0	30	-10.0	18.3		85.8	E-6350	P,E	SA1351GL McCauley PL60172	73		
A99A "Airliner"	L	PT6A-28 (PW)	P7696790-0156	4HFR34C769/94LMA-4	90.0	89.0	30	-10.0	18.3		85.8	E-6350	P,E	SA1351GL McCauley PL60172	73		
B99 "Airliner"	L	PT6A-27 (PW)	P7696790-0156	4HFR34C769/94LMA-4	90.0	89.0	30	-10.0	18.3		85.8	E-6350	P,E	SA1351GL McCauley PL60172	73		
B99 "Airliner"	L	PT6A-28 (PW)	P7696790-0156	4HFR34C769/94LMA-4	90.0	89.0	30	-10.0	18.3		85.8	E-6350	P,E	SA1351GL McCauley PL60172	73		
C99 "Airliner"	L	PT6A-36 (PW)	P7696790-0156	4HFR34C769/94LMA-4	90.0	89.0	30	-10.0	18.3		85.8	E-6350	P,E	SA1351GL McCauley PL60173	73		
100 "King Air"	L	PT6A-28 (PW)	P7625550-0152	4HFR34C762/94LMA-4	90.0	89.0	30	-10.0	18.3		85.8	E-5643	P,E	SA1351GL McCauley PL60045	73		
A100 "King Air"	L	PT6A-28 (PW)	P7625550-0152	4HFR34C762/94LMA-4	90.0	89.0	30	-10.0	18.3		85.8	E-5643	P,E	SA1351GL McCauley PL60045	73		
A100 "King Air"	L	PT6A-34 (PW)	P7625550-0152	4HFR34C762/94LMA-4	90.0	89.0	30	-10.0	18.3		85.8	E-5643	P,E	SA1351GL McCauley PL60045	73		
A100-1 "Super King Air" "U-21J"	L	PT6A-41 (PW)	P7545550-0252	4HFR34C754/94LA-0	94.0	93.5	30	-10.0	20.8		87.2	E-5643	P,E	SA01058CH McCauley PL60036	73 100 101		
B100 "King Air"	L	TPE331-6 (HW)	P11057393-0156	5HFR34C1105/96LRB-9	87.0	86.0	30	-12.4	2.0	8.0	84.4	E-7389-3	P,E	SA01647AT McCauley PL60207	76		
B100 "King Air"	L	TPE331-10 (HW)	P11057393-0156	5HFR34C1105/96LRB-9	87.0	86.0	30	-12.4	2.0	8.0	84.4	E-7389-3	P,E	SA01647AT McCauley PL60207	76		
200 "Super King Air"	L	PT6A-41 (PW)	P7545550-0252	4HFR34C754/94LA-0	94.0	93.5	30	-10.0	20.8		87.2	E-5643	P,E	SA1036GL McCauley PL60036	73 100 101		
200 "Super King Air"	L	PT6A-41 (PW)	P7716790-0156	4HFR34C771/94LA-0	94.0	93.5	30	-10.0	20.8		87.2	E-6662	P,E	SA1036GL McCauley PL60144	73 100 101		
200 "Super King Air"	L	PT6A-41 (PW)	P10087604-0156	5HFR34C1008/96LTA-0	96.0	95.0	30	-10.0	19.6		86.2	E-7590-1 E-7590-2	P,E S,E	SA01157CH McCauley PL60294 PL60324	77 100 101		
200 "Super King Air"	L	PT6A-52 (PW)	P7545550-0252	4HFR34C754/94LA-0	94.0	93.5	30	-10.0	20.8		87.2	E-5643	P,E	SA10842SC Enhanced Aero	73 101		

Constant Speed Propeller Applications

Aircraft		Engine		Part Number	Model	Diameter		Ref		Blade Angles			Spinner		Governors	STC Number STC Holder STC Kit P/N	Notes
Model	TYPE	Model (Make)	Model			Max	Min	Sta	Rev	Low or Flight Idle	Latch or Start Locks	High or Feather	Assembly P/N	Type			
200 "Super King Air"	L	PT6A-52 (PW)	P7716790-0156	4HFR34C771/94LA-0	94.0	93.5	30	-10.0	20.8		87.2	E-6662	P,E		SA10842SC Enhanced Aero	73 101	
200C "Super King Air"	L	PT6A-41 (PW)	P7545550-0252	4HFR34C754/94LA-0	94.0	93.5	30	-10.0	20.8		87.2	E-5643	P,E		SA1036GL McCaughey PL60036	73 100 101	
200C "Super King Air"	L	PT6A-41 (PW)	P7716790-0156	4HFR34C771/94LA-0	94.0	93.5	30	-10.0	20.8		87.2	E-6662	P,E		SA1036GL McCaughey PL60144	73 100 101	
200C "Super King Air"	L	PT6A-41 (PW)	P10087604-0156	5HFR34C1008/96LTA-0	96.0	95.0	30	-10.0	19.6		86.2	E-7590-1 E-7590-2	P,E S,E		SA01157CH McCaughey PL60294 PL60324	77 100 101	
200C "Super King Air"	L	PT6A-52 (PW)	P7545550-0252	4HFR34C754/94LA-0	94.0	93.5	30	-10.0	20.8		87.2	E-5643	P,E		SA10842SC Enhanced Aero	73 101	
200C "Super King Air"	L	PT6A-52 (PW)	P7716790-0156	4HFR34C771/94LA-0	94.0	93.5	30	-10.0	20.8		87.2	E-6662	P,E		SA10842SC Enhanced Aero	73 101	
200CT "Super King Air"	L	PT6A-41 (PW)	P7545550-0252	4HFR34C754/94LA-0	94.0	93.5	30	-10.0	20.8		87.2	E-5643	P,E		SA1036GL McCaughey PL60036	73 100 101	
200CT "Super King Air"	L	PT6A-41 (PW)	P7716790-0156	4HFR34C771/94LA-0	94.0	93.5	30	-10.0	20.8		87.2	E-6662	P,E		SA1036GL McCaughey PL60144	73 100 101	
200CT "Super King Air"	L	PT6A-41 (PW)	P10087604-0156	5HFR34C1008/96LTA-0	96.0	95.0	30	-10.0	19.6		86.2	E-7590-1 E-7590-2	P,E S,E		SA01157CH McCaughey PL60294 PL60324	77 100 101	
200T "Super King Air"	L	PT6A-41 (PW)	P7545550-0252	4HFR34C754/94LA-0	94.0	93.5	30	-10.0	20.8		87.2	E-5643	P,E		SA1036GL McCaughey PL60036	73 100 101	
200T "Super King Air"	L	PT6A-41 (PW)	P7716790-0156	4HFR34C771/94LA-0	94.0	93.5	30	-10.0	20.8		87.2	E-6662	P,E		SA1036GL McCaughey PL60144	73 100 101	
200T "Super King Air"	L	PT6A-41 (PW)	P10087604-0156	5HFR34C1008/96LTA-0	96.0	95.0	30	-10.0	19.6		86.2	E-7590-1 E-7590-2	P,E S,E		SA01157CH McCaughey PL60294 PL60324	77 100 101	
A200C "Super King Air" "UC-12B"	L	PT6A-41 (PW)	P7545550-0252	4HFR34C754/94LA-0	94.0	93.5	30	-10.0	20.8		87.2	E-5643	P,E		SA1036GL McCaughey PL60036	73 100 101	
A200C "Super King Air" "UC-12B"	L	PT6A-41 (PW)	P7716790-0156	4HFR34C771/94LA-0	94.0	93.5	30	-10.0	20.8		87.2	E-6662	P,E		SA1036GL McCaughey PL60144	73 100 101	
A200C "Super King Air" "UC-12B"	L	PT6A-41 (PW)	P10087604-0156	5HFR34C1008/96LTA-0	96.0	95.0	30	-10.0	19.6		86.2	E-7590-1 E-7590-2	P,E S,E		SA01157CH McCaughey PL60294 PL60324	77 100 101	
A200CT "Super King Air" "C-12D, RC-12D, FWC-12D"	L	PT6A-41 (PW)	P7545550-0252	4HFR34C754/94LA-0	94.0	93.5	30	-10.0	20.8		87.2	E-5643	P,E		SA1036GL McCaughey PL60036	73 100 101	

Constant Speed Propeller Applications

Aircraft		Engine		Part Number	Model	Diameter		Ref		Blade Angles			Spinner		Governors	STC Number STC Holder STC Kit P/N	Notes
Model	TYPE	Model (Make)	Model			Max	Min	Sta	Rev	Low or Flight Idle	Latch or Start Locks	High or Feather	Assembly P/N	Type			
A200CT "Super King Air" "C-12D, RC-12D, FWC-12D"	L	PT6A-41 (PW)	P7716790-0156	4HFR34C771/94LA-0	94.0	93.5	30	-10.0	20.8		87.2	E-6662	P,E		SA1036GL McCauley PL60144	73 100 101	
A200CT "Super King Air" "C-12D, RC-12D, FWC-12D"	L	PT6A-41 (PW)	P10087604-0156	5HFR34C1008/96LTA-0	96.0	95.0	30	-10.0	19.6		86.2	E-7590-1 E-7590-2	P,E S,E		SA01157CH McCauley PL60294 PL60324	77 100 101	
A200CT "Super King Air" "C-12D, RC-12D, FWC-12D"	L	PT6A-42 (PW)	P7545550-0252	4HFR34C754/94LA-0	94.0	93.5	30	-10.0	20.8		87.2	E-5643	P,E		SA1036GL McCauley PL60036	73 101	
A200CT "Super King Air" "C-12D, RC-12D, FWC-12D"	L	PT6A-42 (PW)	P7716790-0156	4HFR34C771/94LA-0	94.0	93.5	30	-10.0	20.8		87.2	E-6662	P,E		SA1036GL McCauley PL60144	73 101	
A200CT "Super King Air" "C-12D, RC-12D, FWC-12D"	L	PT6A-42 (PW)	P10087604-0156	5HFR34C1008/96LTA-0	96.0	95.0	30	-10.0	19.6		86.2	E-7590-1 E-7590-2	P,E S,E		SA01157CH McCauley PL60294 PL60324	77 101	
A200CT "RC-12K, RC-12L, RC-12N, RC-12P, RC-12Q"	L	PT6A-67 (PW)	P7585745-0154	4JFR34C758/106LNA-1	105.0	104.0	30	-9.0	23.5		87.0	E-5732	S,E			48	
B200 (S/N BB-1193 - BB-1438, BB-1440 - BB-1443, BB-1463) "Super King Air"	L	PT6A-42 (PW)	P7025423-0150	3GFR34C702/100LA-2	98.0	97.0	30	-10.0	23.0		86.8	E-5586	P,E				
B200 (S/N BB-1439, BB-1444 and up, except BB-1463) "Super King Air"	L	PT6A-42 (PW)	P7716790-0156	4HFR34C771/94LA-0	94.0	93.5	30	-10.0	20.8		87.5	E-6662	P,E			47	
B200 "Super King Air"	L	PT6A-42 (PW)	P7545550-0252	4HFR34C754/94LA-0	94.0	93.5	30	-10.0	20.8		87.2	E-5643	P,E		SA1036GL McCauley PL60036	73 101	
B200 "Super King Air"	L	PT6A-42 (PW)	P7716790-0156	4HFR34C771/94LA-0	94.0	93.5	30	-10.0	20.8		87.2	E-6662	P,E		SA1036GL McCauley PL60144	73 101	
B200 "Super King Air"	L	PT6A-42 (PW)	P10087604-0156	5HFR34C1008/96LTA-0	96.0	95.0	30	-10.0	19.6		86.2	E-7590-1 E-7590-2	P,E S,E		SA01157CH McCauley PL60294 PL60324	77 101	
B200 "Super King Air"	L	PT6A-52 (PW)	P7545550-0252	4HFR34C754/94LA-0	94.0	93.5	30	-10.0	20.8		87.2	E-5643	P,E		SA10842SC Enhanced Aero	73 101	
B200 "Super King Air"	L	PT6A-52 (PW)	P7716790-0156	4HFR34C771/94LA-0	94.0	93.5	30	-10.0	20.8		87.2	E-6662	P,E		SA10842SC Enhanced Aero	73 101	
B200C (S/N BL-73 - BL-123) "C-12F"	L	PT6A-42 (PW)	P7545550-0152	4HFR34C754/94LA-0	94.0	93.0	30	-10.0	20.6		87.2	E-5543	S,E			47	
B200C (S/N BL-124 - BL-138) "C-12F"	L	PT6A-42 (PW)	P7025423-0151	3GFR34C702/100LA-2	98.0	97.0	30	-10.0	23.0		86.8	E-5586-1	S,E				

Constant Speed Propeller Applications

Aircraft		Engine			Diameter		Ref		Blade Angles			Spinner		Governors	STC Number STC Holder STC Kit P/N	Notes
Model	T Y P E	Model (Make)	Part Number	Model	Max	Min	Sta	Rev	Low or Flight Idle	Latch or Start Locks	High or Feather	Assembly P/N	T y p e			
B200C (S/N BL-139 and up) "C-12F"	L	PT6A-42 (PW)	P7716790-0156	4HFR34C771/94LA-0	94.0	93.5	30	-10.0	20.8		87.5	E-6662	P,E			47
B200C (S/N BP-64 and up) "C-12F"	L	PT6A-42 (PW)	P7025423-0151	3GFR34C702/100LA-2	98.0	97.0	30	-10.0	23.0		86.8	E-5586-1	S,E			
B200C "Super King Air" "C-12F"	L	PT6A-42 (PW)	P7545550-0252	4HFR34C754/94LA-0	94.0	93.5	30	-10.0	20.8		87.2	E-5643	P,E		SA1036GL McCauley PL60036	73 101
B200C "Super King Air" "C-12F"	L	PT6A-42 (PW)	P7716790-0156	4HFR34C771/94LA-0	94.0	93.5	30	-10.0	20.8		87.2	E-6662	P,E		SA1036GL McCauley PL60144	73 101
B200C "Super King Air" "C-12F"	L	PT6A-42 (PW)	P10087604-0156	5HFR34C1008/96LTA-0	96.0	95.0	30	-10.0	19.6		86.2	E-7590-1 E-7590-2	P,E S,E		SA01157CH McCauley PL60294 PL60324	77 101
B200C (S/N BV-1 and up) "UC-12M"	L	PT6A-42 (PW)	P7025423-0152	3GFR34C702/100LA-2	98.0	97.0	30	-10.0	23.0		86.8	E-5586	P,E			
B200C (S/N BW-1 and up) "C-12R"	L	PT6A-42 (PW)	P7716790-0156	4HFR34C771/94LA-0	94.0	93.5	30	-10.0	20.8		87.5	E-6662	P,E			47
B200C "Super King Air"	L	PT6A-52 (PW)	P7545550-0252	4HFR34C754/94LA-0	94.0	93.5	30	-10.0	20.8		87.2	E-5643	P,E		SA10842SC Enhanced Aero	73 101
B200C "Super King Air"	L	PT6A-52 (PW)	P7716790-0156	4HFR34C771/94LA-0	94.0	93.5	30	-10.0	20.8		87.2	E-6662	P,E		SA10842SC Enhanced Aero	73 101
B200CT (S/N BN-5 and up) "Super King Air"	L	PT6A-42 (PW)	P7025423-0150	3GFR34C702/100LA-2	98.0	97.0	30	-10.0	23.0		86.8	E-5586	P,E			
B200CT (S/N BN-5 and up) "Super King Air"	L	PT6A-42 (PW)	P7716790-0156	4HFR34C771/94LA-0	94.0	93.5	30	-10.0	20.8		87.5	E-6662	P,E			47
B200CT "Super King Air"	L	PT6A-42 (PW)	P7545550-0252	4HFR34C754/94LA-0	94.0	93.5	30	-10.0	20.8		87.2	E-5643	P,E		SA1036GL McCauley PL60036	73 101
B200CT "Super King Air"	L	PT6A-42 (PW)	P7716790-0156	4HFR34C771/94LA-0	94.0	93.5	30	-10.0	20.8		87.2	E-6662	P,E		SA1036GL McCauley PL60144	73 101
B200CT "Super King Air"	L	PT6A-42 (PW)	P10087604-0156	5HFR34C1008/96LTA-0	96.0	95.0	30	-10.0	19.6		86.2	E-7590-1 E-7590-2	P,E S,E		SA01157CH McCauley PL60294 PL60324	77 101
B200T (S/N BT-31 - BT-34) "Super King Air"	L	PT6A-42 (PW)	P7025423-0150	3GFR34C702/100LA-2	98.0	97.0	30	-10.0	23.0		86.8	E-5586	P,E			
B200T (S/N BT-34 and up) "Super King Air"	L	PT6A-42 (PW)	P7716790-0156	4HFR34C771/94LA-0	94.0	93.5	30	-10.0	20.8		87.5	E-6662	P,E			47

Constant Speed Propeller Applications

Aircraft		Engine		Part Number	Model	Diameter		Ref		Blade Angles			Spinner		Governors	STC Number STC Holder STC Kit P/N	Notes
Model	T Y P E	Model (Make)	Model			Max	Min	Sta	Rev	Low or Flight Idle	Latch or Start Locks	High or Feather	Assembly P/N	T y p e			
B200T "Super King Air"	L	PT6A-42 (PW)	P7545550-0252	4HFR34C754/94LA-0	94.0	93.5	30	-10.0	20.8		87.2	E-5643	P,E		SA1036GL McCauley PL60036	73 101	
B200T "Super King Air"	L	PT6A-42 (PW)	P7716790-0156	4HFR34C771/94LA-0	94.0	93.5	30	-10.0	20.8		87.2	E-6662	P,E		SA1036GL McCauley PL60144	73 101	
B200T "Super King Air"	L	PT6A-42 (PW)	P10087604-0156	5HFR34C1008/96LTA-0	96.0	95.0	30	-10.0	19.6		86.2	E-7590-1 E-7590-2	P,E S,E		SA01157CH McCauley PL60294 PL60324	77 101	
2000 (left engine) "Starship I"	L	PT6A-67A (PW)	P10036062-03	5JFR36C1003/L104DSZ-0	104.0	104.0	30	-7.0	24.0		90.9	E-6063	S			49	
2000 (right engine) "Starship I"	L	PT6A-67A (PW)	P10036062-04	5JFR36C1003/L104DSZ-0	104.0	104.0	30	-7.0	24.0		91.7	E-6063	S			49	
BELLANCA (Alexandria Aircraft LLC)																	
14-19-2 "Cruisemaster"	L	O-470-K (TCM)	OBSOLETE	2A36C18/90M-12	78.0	76.0	36		10.0		23.0	D-2845	S			1	
14-19-3 "Bellanca 260"	L	IO-470-F (TCM)	OBSOLETE	B2A36C31/90M-8	82.0	80.0	36		11.0		27.3	D-2845	S			1	
14-19-3 "Bellanca 260"	L	IO-470-F (TCM)	OBSOLETE	D2A36C31/90M-8	82.0	80.0	36		11.0		26.3	D-2771	S			1	
14-19-3 "Bellanca 260"	L	IO-470-F (TCM)	OBSOLETE	D2A36C33/90M-8	82.0	80.0	36		10.8		25.8	D-2845-1 D-2771-1	S S			1 30	
14-19-3A "Bellanca 260A"	L	IO-470-F (TCM)	OBSOLETE	D3A32C90/82NC-4	78.0	76.0	30		11.7		28.1	D-3867, D-3669	S S			1	
17-30 "Viking 300"	L	IO-520-D (TCM)	OBSOLETE	D2A34C58/90AT-10	80.0	78.0	36		8.2		27.3	D-3766, D-2771	S S			1	
17-30 "Viking 300"	L	IO-520-D (TCM)	OBSOLETE	D3A32C90/82NC-4	78.0	76.0	30		11.7		28.1	D-3867, D-3669	S S			1	
17-30A "Super Viking"	L	IO-520-K (TCM)	OBSOLETE	D2A34C58/90AT-10	80.0	78.0	36		8.2		27.3	D-3766, D-2771	S S			1	
17-30A "Super Viking"	L	IO-520-K (TCM)	OBSOLETE	D3A32C90/82NC-4	78.0	76.0	30		11.7		28.1	D-3867, D-3669	S S			1	
17-30A "Super Viking"	L	IO-520-K (TCM)	P4014808-02	D3A34C401/90DFA-12	78.0	76.0	30		10.0		28.5	D-5027, D-3867, D-3669	S S S			52	
17-30A "Super Viking"	L	IO-550-F (TCM)	P4014808-10	D3A34C401/90DFA-10	80.0	78.0	30		11.8		28.5	D-5027	S			52	
BOISAVIA																	
B601 L "Mercury"	L	O-360-A1A (LY)	OBSOLETE	2D36C14/78KM-4	74.0	74.0	30		12.7		27.5	D-2137	S			1 42	
BURNS (Mael Aircraft Corporation)																	
BA-42	L	IO-360-D (TCM)	OBSOLETE	D2AF34C59/76C-2	74.0	74.0	30		11.2	14.9	79.0					1 6	
CALLAIR (Aircraft Parts & Development Corp.)																	
A-6	L	O-360-A1A (LY)	OBSOLETE	2D36C14/78KM-4	74.0	72.0	30		13.5		27.0	D-2137	S			1 42	
A-6	L	O-360-C1A (LY)	OBSOLETE	2D36C14/78KM-4	74.0	72.0	30		13.5		27.0	D-2137	S			1 42	
A-9 "Sparrow Commander"	L	O-540-B2B5 (LY)	OBSOLETE	2D34CT69/84HF-0	84.0	82.0	30		14.0		17.0	D-2809	S			1 2	

Constant Speed Propeller Applications

Aircraft		Engine			Diameter		Ref		Blade Angles			Spinner		Governors	STC Number STC Holder STC Kit P/N	Notes
Model	T Y P E	Model (Make)	Part Number	Model	Max	Min	Sta	Rev	Low or Flight Idle	Latch or Start Locks	High or Feather	Assembly P/N	T y p e			
A-9A *Sparrow Commander	L	O-540-B2B5 (LY)	OBSOLETE	2D34CT69/84HF-0	84.0	82.0	30		14.0		17.0	D-2809	S			1
CESSNA																
170A	L	C-145-2H (TCM)	OBSOLETE	2B36C7/78K-2	76.0	74.5	30		13.0		17.5					1
170A		6A-335-B (FR)	OBSOLETE	2A31C21/84S-4	80.0	76.0	30								SA1048NW Classic Aire	1
170A		6A-350-C1 (FR)	OBSOLETE	2A31C21/84S-4	80.0	76.0	30		11.2		20.5			C290D7/T2	SA293NW Franklin Acft Engines	1 95
170A		6A-350-C1R (FR)	OBSOLETE	2A31C21/84S-4	80.0	76.0	30								SA1048NW Classic Aire	1
170A		6A-350-C1R (FR)	OBSOLETE	2A34C22/84S-4	80.0	74.0	30					D-4101	S		SA1048NW Classic Aire	1
170A		6A-350-C1R (FR)		2A34C201/90DA-2	88.0	76.0	30					D-7569	P		SA1048NW Classic Aire	105
170A		6A-350-C1R (FR)		2A34C201/90DA-10	80.0	76.0								C290D7/T2	SA293NW Franklin Acft Engines	
170A		6A-350-C2 (FR)	OBSOLETE	2A31C21/84S-4	80.0	76.0	30		11.2		20.5			C290D7/T2	SA293NW Franklin Acft Engines	1 95
170A		6A-350-C2 (FR)	OBSOLETE	2A31C21/84S-4	80.0	76.0	30								SA1048NW Classic Aire	1
170A		6A-350-C2 (FR)	OBSOLETE	2A34C22/84S-4	80.0	74.0	30					D-4101	S		SA1048NW Classic Aire	1
170A		6A-350-C2 (FR)		2A34C201/90DA-2	88.0	76.0	30					D-7569	P		SA1048NW Classic Aire	105
170A	F	6A-350-C2 (FR)		2A34C201/90DA-2	88.0	76.0	30					D-7569	P		SA1048NW Classic Aire	
170B	L	C-145-2H (TCM)	OBSOLETE	2B36C7/78K-2	76.0	74.5	30		13.0		17.5					1
170B		6A-350-C1 (FR)	OBSOLETE	2A31C21/84S-4	80.0	76.0	30		11.2		20.5			C290D7/T2	SA293NW Franklin Acft Engines	1 95
170B		6A-350-C2 (FR)	OBSOLETE	2A31C21/84S-4	80.0	76.0	30		11.2		20.5			C290D7/T2	SA293NW Franklin Acft Engines	1 95
170B		6A-350-C1R (FR)		2A34C201/90DA-10	80.0	76.0								C290D7/T2	SA293NW Franklin Acft Engines	
172	L	O-300-A (TCM)	OBSOLETE	2B36C7/78K-2	76.0	74.5	30		13.0		17.5				SA3-11 McCauley	1
172	L	O-300-A (TCM)	OBSOLETE	2B36C7/78K-4	74.0	72.5	30								SA3-11 McCauley	1
172	L	O-360-A1A (LY)	OBSOLETE	2D36C14/78KM-4	74.0	72.0	30		12.7		27.5				SA420CE Williams	1
172	L	O-360-A1D (LY)	OBSOLETE	2D36C14/78KM-4	74.0	72.0	30		12.7		27.5				SA420CE Williams	1
172		6A-350-C1 (FR)	OBSOLETE	2A31C21/84S-4	80.0	76.0	30		11.2		20.5			C290D7/T2	SA293NW Franklin Acft Engines	1 95

Constant Speed Propeller Applications

Aircraft		Engine		Part Number	Model	Diameter		Ref		Blade Angles			Spinner		Governors	STC Number STC Holder STC Kit P/N	Notes
Model	TYPE	Model (Make)	Model			Max	Min	Sta	Rev	Low or Flight Idle	Latch or Start Locks	High or Feather	Assembly P/N	Type			
172		6A-350-C2 (FR)	OBSOLETE	2A31C21/84S-4	80.0	76.0	30			11.2		20.5			C290D7/T2	SA293NW Franklin Acft Engines	1 95
172A	L	O-360-A1A (LY)	OBSOLETE	2D36C14/78KM-4	74.0	72.0	30			12.7		27.5				SA420CE Williams	1
172A	L	O-360-A1D (LY)	OBSOLETE	2D36C14/78KM-4	74.0	72.0	30			12.7		27.5				SA420CE Williams	1
172A		6A-350-C1 (FR)	OBSOLETE	2A31C21/84S-4	80.0	76.0	30			11.2		20.5			C290D7/T2	SA293NW Franklin Acft Engines	1 95
172A		6A-350-C2 (FR)	OBSOLETE	2A31C21/84S-4	80.0	76.0	30			11.2		20.5			C290D7/T2	SA293NW Franklin Acft Engines	1 95
172B	L	O-360-A1A (LY)	OBSOLETE	2D36C14/78KM-4	74.0	72.0	30			12.7		27.5				SA420CE Williams	1
172B	L	O-360-A1D (LY)	OBSOLETE	2D36C14/78KM-4	74.0	72.0	30			12.7		27.5				SA420CE Williams	1
172B		6A-350-C1 (FR)	OBSOLETE	2A31C21/84S-4	80.0	76.0	30			11.2		20.5			C290D7/T2	SA293NW Franklin Acft Engines	1 95
172B		6A-350-C2 (FR)	OBSOLETE	2A31C21/84S-4	80.0	76.0	30			11.2		20.5			C290D7/T2	SA293NW Franklin Acft Engines	1 95
172C	L	O-360-A1A (LY)	OBSOLETE	2D36C14/78KM-4	74.0	72.0	30			12.7		27.5				SA420CE Williams	1
172C	L	O-360-A1D (LY)	OBSOLETE	2D36C14/78KM-4	74.0	72.0	30			12.7		27.5				SA420CE Williams	1
172C		6A-350-C1 (FR)	OBSOLETE	2A31C21/84S-4	80.0	76.0	30			11.2		20.5			C290D7/T2	SA293NW Franklin Acft Engines	1 95
172C		6A-350-C2 (FR)	OBSOLETE	2A31C21/84S-4	80.0	76.0	30			11.2		20.5			C290D7/T2	SA293NW Franklin Acft Engines	1 95
172D	L	O-360-A1A (LY)	OBSOLETE	2D36C14/78KM-4	74.0	72.0	30			12.7		27.5				SA420CE Williams	1
172D	L	O-360-A1D (LY)	OBSOLETE	2D36C14/78KM-4	74.0	72.0	30			12.7		27.5				SA420CE Williams	1
172D		6A-350-C1 (FR)	OBSOLETE	2A31C21/84S-4	80.0	76.0	30			11.2		20.5			C290D7/T2	SA293NW Franklin Acft Engines	1 95
172D		6A-350-C2 (FR)	OBSOLETE	2A31C21/84S-4	80.0	76.0	30			11.2		20.5			C290D7/T2	SA293NW Franklin Acft Engines	1 95
172E	F	O-360-A1A (LY)	OBSOLETE	2D36C14/78KM-4	74.0	72.0	30			12.7		27.5				SA420CE Williams	1
172E	F	O-360-A1D (LY)	OBSOLETE	2D36C14/78KM-4	74.0	72.0	30			12.7		27.5				SA420CE Williams	1
172E		6A-350-C1 (FR)	OBSOLETE	2A31C21/84S-4	80.0	76.0	30			11.2		20.5			C290D7/T2	SA293NW Franklin Acft Engines	1 95

Constant Speed Propeller Applications

Aircraft		Engine		Part Number	Model	Diameter		Ref		Blade Angles			Spinner		Governors	STC Number STC Holder STC Kit P/N	Notes
Model	TYPE	Model (Make)	Model			Max	Min	Sta	Rev	Low or Flight Idle	Latch or Start Locks	High or Feather	Assembly P/N	Type			
172E		6A-350-C2 (FR)	OBSOLETE	2A31C21/84S-4	80.0	76.0	30		11.2		20.5			C290D7/T2	SA293NW Franklin Acft Engines	1 95	
172F	F L	O-360-A1A (LY)	OBSOLETE	2D36C14/78KM-4	74.0	72.0	30		12.7		27.5				SA420CE Williams	1	
172F	F L	O-360-A1D (LY)	OBSOLETE	2D36C14/78KM-4	74.0	72.0	30		12.7		27.5				SA420CE Williams	1	
172F		6A-350-C1 (FR)	OBSOLETE	2A31C21/84S-4	80.0	76.0	30		11.2		20.5			C290D7/T2	SA293NW Franklin Acft Engines	1 95	
172F		6A-350-C2 (FR)	OBSOLETE	2A31C21/84S-4	80.0	76.0	30		11.2		20.5			C290D7/T2	SA293NW Franklin Acft Engines	1 95	
172G	F L	O-360-A1A (LY)	OBSOLETE	2D36C14/78KM-4	74.0	72.0	30		12.7		27.5				SA420CE Williams	1	
172G	F L	O-360-A1D (LY)	OBSOLETE	2D36C14/78KM-4	74.0	72.0	30		12.7		27.5				SA420CE Williams	1	
172G		6A-350-C1 (FR)	OBSOLETE	2A31C21/84S-4	80.0	76.0	30		11.2		20.5			C290D7/T2	SA293NW Franklin Acft Engines	1 95	
172G		6A-350-C2 (FR)	OBSOLETE	2A31C21/84S-4	80.0	76.0	30		11.2		20.5			C290D7/T2	SA293NW Franklin Acft Engines	1 95	
172H	F L	O-360-A1A (LY)	OBSOLETE	2D36C14/78KM-4	74.0	72.0	30		12.7		27.5				SA420CE Williams	1	
172H	F L	O-360-A1D (LY)	OBSOLETE	2D36C14/78KM-4	74.0	72.0	30		12.7		27.5				SA420CE Williams	1	
172H		6A-350-C1 (FR)	OBSOLETE	2A31C21/84S-4	80.0	76.0	30		11.2		20.5			C290D7/T2	SA293NW Franklin Acft Engines	1 95	
172H		6A-350-C2 (FR)	OBSOLETE	2A31C21/84S-4	80.0	76.0	30		11.2		20.5			C290D7/T2	SA293NW Franklin Acft Engines	1 95	
172I		6A-350-C1 (FR)	OBSOLETE	2A31C21/84S-4	80.0	76.0	30		11.2		20.5			C290D7/T2	SA293NW Franklin Acft Engines	1 95	
172I		6A-350-C2 (FR)	OBSOLETE	2A31C21/84S-4	80.0	76.0	30		11.2		20.5			C290D7/T2	SA293NW Franklin Acft Engines	1 95	
172K		6A-350-C1 (FR)	OBSOLETE	2A31C21/84S-4	80.0	76.0	30		11.2		20.5			C290D7/T2	SA293NW Franklin Acft Engines	1 95	
172K		6A-350-C2 (FR)	OBSOLETE	2A31C21/84S-4	80.0	76.0	30		11.2		20.5			C290D7/T2	SA293NW Franklin Acft Engines	1 95	
172L		6A-350-C1 (FR)	OBSOLETE	2A31C21/84S-4	80.0	76.0	30		11.2		20.5			C290D7/T2	SA293NW Franklin Acft Engines	1 95	
172L		6A-350-C2 (FR)	OBSOLETE	2A31C21/84S-4	80.0	76.0	30		11.2		20.5			C290D7/T2	SA293NW Franklin Acft Engines	1 95	

Constant Speed Propeller Applications

Aircraft		Engine		Model	Diameter		Ref		Blade Angles			Spinner		Governors	STC Number STC Holder STC Kit P/N	Notes
Model	Type	Model (Make)	Part Number		Max	Min	Sta	Rev	Low or Flight Idle	Latch or Start Locks	High or Feather	Assembly P/N	Type			
172M		6A-350-C1 (FR)	OBSOLETE	2A31C21/84S-4	80.0	76.0	30		11.2		20.5			C290D7/T2	SA293NW Franklin Acft Engines	1 95
172M		6A-350-C2 (FR)	OBSOLETE	2A31C21/84S-4	80.0	76.0	30		11.2		20.5			C290D7/T2	SA293NW Franklin Acft Engines	1 95
172N		6A-350-C1 (FR)	OBSOLETE	2A31C21/84S-4	80.0	76.0	30		11.2		20.5			C290D7/T2	SA293NW Franklin Acft Engines	1 95
172N		6A-350-C2 (FR)	OBSOLETE	2A31C21/84S-4	80.0	76.0	30		11.2		20.5			C290D7/T2	SA293NW Franklin Acft Engines	1 95
172P		6A-350-C1 (FR)	OBSOLETE	2A31C21/84S-4	80.0	76.0	30		11.2		20.5			C290D7/T2	SA293NW Franklin Acft Engines	1 95
172P		6A-350-C2 (FR)	OBSOLETE	2A31C21/84S-4	80.0	76.0	30		11.2		20.5			C290D7/T2	SA293NW Franklin Acft Engines	1 95
172RG "Cutlass RG"	L	O-360-F1A6 (LY)	P2205060-01	B2D34C220/80VHA-3.5	76.5	75.5	30		12.1		26.4			DC290D1/T6 C290D3/T18		53
172RG "Cutlass RG"	L	O-360-F1A6 (LY)	P4295038-01	B3D36C429/82NPA-6	76.0	75.0	30		9.5		33.8	D-7290	P	DC290D1/T6 C290D3/T18	SA495CH McCauley PL60166	60
P172D "Skyhawk Powermatic"	L	GO-300-E (TCM)	OBSOLETE	2A31C21/84S-0	84.0	82.0	30		13.0		26.5					1
R172E "USAF T-41B,T-41C,T-41D"	L	IO-360-D (TCM)	OBSOLETE	D2A34C67/76C-0	76.0	74.5	30		11.7		22.5			C290D3/T6 C290D2/T6		1
R172E "USAF T-41B"	L	IO-360-D (TCM)	P2094447-51	2A34C209/78CCA-2	76.0	74.5	30		11.3		22.0			C290D3/T6 C290D2/T6		
R172E "USAF T-41B,T-41C,T-41D"	L	IO-360-DB (TCM)	OBSOLETE	D2A34C67/76C-0	76.0	74.5	30		11.7		22.5			C290D3/T6 C290D2/T6		1
R172E "USAF T-41B"	L	IO-360-DB (TCM)	P2094447-51	2A34C209/78CCA-2	76.0	74.5	30		11.3		22.0			C290D3/T6 C290D2/T6		
R172F "USAF T-41D"	L	IO-360-D (TCM)	OBSOLETE	D2A34C67/76C-0	76.0	74.5	30		11.7		22.5			C290D3/T6 C290D2/T6		1
R172F "USAF T-41D"	L	IO-360-DB (TCM)	OBSOLETE	D2A34C67/76C-0	76.0	74.5	30		11.7		22.5			C290D3/T6 C290D2/T6		1
R172G "USAF T-41C,T-41D"	L	IO-360-C (TCM)	OBSOLETE	D2A34C67/76C-0	76.0	74.5	30		11.7		22.5			C290D3/T6 C290D2/T6		1
R172G "USAF T-41C,T-41D"	L	IO-360-CB (TCM)	OBSOLETE	D2A34C67/76C-0	76.0	74.5	30		11.7		22.5			C290D3/T6 C290D2/T6		1
R172G "USAF T-41C,T-41D"	L	IO-360-D (TCM)	OBSOLETE	D2A34C67/76C-0	76.0	74.5	30		11.7		22.5			C290D3/T6 C290D2/T6		1
R172G "USAF T-41C,T-41D"	L	IO-360-DB (TCM)	OBSOLETE	D2A34C67/76C-0	76.0	74.5	30		11.7		22.5			C290D3/T6 C290D2/T6		1
R172H "USAF T-41D"	L	IO-360-C (TCM)	OBSOLETE	D2A34C67/76C-0	76.0	74.5	30		11.7		22.5			C290D3/T6 C290D2/T6		1
R172H "USAF T-41D"	L	IO-360-C (TCM)	P2094447-51	2A34C209/78CCA-2	76.0	74.5	30		11.3		22.0			C290D3/T6 C290D2/T6		
R172H "USAF T-41D"	L	IO-360-CB (TCM)	OBSOLETE	D2A34C67/76C-0	76.0	74.5	30		11.7		22.5			C290D3/T6 C290D2/T6		1

Constant Speed Propeller Applications

Aircraft		Engine			Diameter		Ref		Blade Angles				Spinner		Governors	STC Number STC Holder STC Kit P/N	Notes
Model	TYPE	Model (Make)	Part Number	Model	Max	Min	Sta	Rev	Low or Flight Idle	Latch or Start Locks	High or Feather	Assembly P/N	Type				
R172H "USAF T-41D"	L	IO-360-CB (TCM)	P2094447-51	2A34C209/78CCA-2	76.0	74.5	30		11.3		22.0			C290D3/T6 C290D2/T6			
R172H "USAF T-41D"	L	IO-360-D (TCM)	OBSOLETE	D2A34C67/76C-0	76.0	74.5	30		11.7		22.5			C290D3/T6 C290D2/T6		1	
R172H "USAF T-41D"	L	IO-360-D (TCM)	P2094447-51	2A34C209/78CCA-2	76.0	74.5	30		11.3		22.0			C290D3/T6 C290D2/T6			
R172H "USAF T-41D"	L	IO-360-DB (TCM)	OBSOLETE	D2A34C67/76C-0	76.0	74.5	30		11.7		22.5			C290D3/T6 C290D2/T6		1	
R172H "USAF T-41D"	L	IO-360-DB (TCM)	P2094447-51	2A34C209/78CCA-2	76.0	74.5	30		11.3		22.0			C290D3/T6 C290D2/T6			
R172H "USAF T-41D"	L	IO-360-H (TCM)	OBSOLETE	D2A34C67/76C-0	76.0	74.5	30		11.7		22.5			C290D3/T6 C290D2/T6		1	
R172H "USAF T-41D"	L	IO-360-H (TCM)	P2094447-51	2A34C209/78CCA-2	76.0	74.5	30		11.3		22.0			C290D3/T6 C290D2/T6			
R172H "USAF T-41D"	L	IO-360-HB (TCM)	OBSOLETE	D2A34C67/76C-0	76.0	74.5	30		11.7		22.5			C290D3/T6 C290D2/T6		1	
R172H "USAF T-41D"	L	IO-360-HB (TCM)	P2094447-51	2A34C209/78CCA-2	76.0	74.5	30		11.3		22.0			C290D3/T6 C290D2/T6			
R172J	L	IO-360-H (TCM)	P2094447-51	2A34C209/78CCA-2	76.0	74.5	30		11.3		22.0			C290D3/T6 C290D2/T6			
R172J	L	IO-360-H (TCM)	OBSOLETE	2A34C209/78CCA-0	78.0	74.5	30		10.6		22.0			C290D3/T6 C290D2/T6		1	
R172J	L	IO-360-HB (TCM)	P2094447-51	2A34C209/78CCA-2	76.0	74.5	30		11.3		22.0			C290D3/T6 C290D2/T6			
R172J	L	IO-360-HB (TCM)	OBSOLETE	2A34C209/78CCA-0	78.0	74.5	30		10.6		22.0			C290D3/T6 C290D2/T6		1	
R172K (1977, 1978 models) "Hawk XP"	L	IO-360-K (TCM)	P2033909-53	2A34C203/90DCA-14	76.0	74.5	30		12.0		25.1			C290D3/T15			
R172K (SP) (1977, 1978 models) "Hawk XP"	L	IO-360-K (TCM)	P2033909-54	2A34C203/90DCA-10	80.0	78.5	30		11.3		24.8			C290D3/T15			
R172K (1977, 1978 models) "Hawk XP"	L	IO-360-KB (TCM)	P2033909-53	2A34C203/90DCA-14	76.0	74.5	30		12.0		25.1			C290D3/T15			
R172K (SP) (1977, 1978 models) "Hawk XP"	L	IO-360-KB (TCM)	P2033909-54	2A34C203/90DCA-10	80.0	78.5	30		11.3		24.8			C290D3/T15			
R172K (1979 - 1981 models) "Hawk XP"	L	IO-360-KB (TCM)	P2033909-53	2A34C203/90DCA-14	76.0	74.5	30		12.0		25.1			C290D3/T15			
R172K "Hawk XP" (SP) (1979 - 1981 models)	L	IO-360-KB (TCM)	P2033909-54	2A34C203/90DCA-10	80.0	78.5	30		11.3		24.8			C290D3/T15			
R172K "Hawk XP"	F L	IO-360-KBC (STC)		2A34C203/90DCA-10	80.0	78.5	30		9.8		25.0			C290D3/T6	SA1437CE Isham Aircraft		
R172K "Hawk XP"	F L	IO-360-KBC (STC)		2A34C203/90DCA-14	76.0	74.5	30		9.7		25.0			C290D3/T6	SA1437CE Isham Aircraft		
R172K "Hawk XP"	F L	IO-360-KC (STC)		2A34C203/90DCA-10	80.0	78.5	30		9.8		25.0			C290D3/T6	SA1437CE Isham Aircraft		
R172K "Hawk XP"	F L	IO-360-KC (STC)		2A34C203/90DCA-14	76.0	74.5	30		9.7		25.0			C290D3/T6	SA1437CE Isham Aircraft		

Constant Speed Propeller Applications

Aircraft		Engine			Diameter		Ref		Blade Angles			Spinner		Governors	STC Number STC Holder STC Kit P/N	Notes
Model	T Y P E	Model (Make)	Part Number	Model	Max	Min	Sta	Rev	Low or Flight Idle	Latch or Start Locks	High or Feather	Assembly P/N	T y p e			
175 "Skylark"	L	O-360-A1A (LY)	OBSOLETE	2D36C14/78KM-4	74.0	72.0	30		12.7		27.5	D-2137	S	C290D3/T18	SA424CE Williams	1 42
175 "Skylark"	L	O-360-A1D (LY)	OBSOLETE	2D36C14/78KM-4	74.0	72.0	30		12.7		27.5	D-2137	S	C290D3/T18	SA424CE Williams	1 42
175 "Skylark"		6A-350-C1 (FR)	OBSOLETE	2A31C21/84S-4	80.0	76.0	30		11.2		20.5			C290D7/T2	SA293NW Franklin Acft Engines	1 95
175 "Skylark"		6A-350-C2 (FR)	OBSOLETE	2A31C21/84S-4	80.0	76.0	30		11.2		20.5			C290D7/T2	SA293NW Franklin Acft Engines	1 95
175A "Skylark"	L	O-360-A1A (LY)	OBSOLETE	2D36C14/78KM-4	74.0	72.0	30		12.7		27.5	D-2137	S	C290D3/T18	SA424CE Williams	1 42
175A "Skylark"	L	O-360-A1D (LY)	OBSOLETE	2D36C14/78KM-4	74.0	72.0	30		12.7		27.5	D-2137	S	C290D3/T18	SA424CE Williams	1 42
175A "Skylark"		6A-350-C1 (FR)	OBSOLETE	2A31C21/84S-4	80.0	76.0	30		11.2		20.5			C290D7/T2	SA293NW Franklin Acft Engines	1 95
175A "Skylark"		6A-350-C2 (FR)	OBSOLETE	2A31C21/84S-4	80.0	76.0	30		11.2		20.5			C290D7/T2	SA293NW Franklin Acft Engines	1 95
175B "Skylark"	L	O-360-A1A (LY)	OBSOLETE	2D36C14/78KM-4	74.0	72.0	30		12.7		27.5	D-2137	S	C290D3/T18	SA424CE Williams	1 42
175B "Skylark"	L	O-360-A1D (LY)	OBSOLETE	2D36C14/78KM-4	74.0	72.0	30		12.7		27.5	D-2137	S	C290D3/T18	SA424CE Williams	1 42
175B "Skylark"		6A-350-C1 (FR)	OBSOLETE	2A31C21/84S-4	80.0	76.0	30		11.2		20.5			C290D7/T2	SA293NW Franklin Acft Engines	1 95
175B "Skylark"		6A-350-C2 (FR)	OBSOLETE	2A31C21/84S-4	80.0	76.0	30		11.2		20.5			C290D7/T2	SA293NW Franklin Acft Engines	1 95
175C "Skylark"	L	GO-300-E (TCM)	OBSOLETE	2A31C21/84S-0	84.0	82.0	30		13.0		26.5					1
175C "Skylark"		6A-350-C1 (FR)	OBSOLETE	2A31C21/84S-4	80.0	76.0	30		11.2		20.5			C290D7/T2	SA293NW Franklin Acft Engines	1 95
175C "Skylark"		6A-350-C2 (FR)	OBSOLETE	2A31C21/84S-4	80.0	76.0	30		11.2		20.5			C290D7/T2	SA293NW Franklin Acft Engines	1 95
177B "Cardinal"	L	O-360-A1F6 (LY)	OBSOLETE	2D34C202/82PA-6	76.0	75.0	30		12.1		26.0			DC290D1/T2 C290D3/T11 C290D2/T11		1 9 83
177B "Cardinal"	L	O-360-A1F6 (LY)	OBSOLETE	B2D34C206/78TA-0	78.0	74.0	30		11.6		27.5			DC290D1/T2 C290D3/T11 C290D2/T11		1 10 83
177B "Cardinal"	L	O-360-A1F6 (LY)	OBSOLETE	B2D34C208/82PA-6	76.0	75.0	30		12.1		26.0			DC290D1/T2 C290D3/T11 C290D2/T11		1 9 83
177B "Cardinal"	L	O-360-A1F6 (LY)	P2114392-21	B2D34C211/82PCA-6	76.0	75.0	30		12.1		26.0			DC290D1/T2 C290D3/T11 C290D2/T11		9 83

Constant Speed Propeller Applications

Aircraft		Engine		Part Number	Model	Diameter		Ref		Blade Angles			Spinner		Governors	STC Number STC Holder STC Kit P/N	Notes
Model	TYPE	Model (Make)	Model (Make)			Max	Min	Sta	Rev	Low or Flight Idle	Latch or Start Locks	High or Feather	Assembly P/N	Type			
177B "Cardinal"	L	O-360-A1F6 (LY)	P4287151-02	B3D36C428/82NPA-2	76.0	75.0	30		9.5		3.8	D-6614	P	DC290D1/T2 C290D3/T11 C290D2/T11	SA477CH McCauley PL60164	60 83	
177B "Cardinal"	L	O-360-A1F6D (LY)	OBSOLETE	2D34C202/82PA-6	76.0	75.0	30		12.1		26.0			DC290D1/T3 C290D3/T12 C290D2/T12		1 9 83	
177B "Cardinal"	L	O-360-A1F6D (LY)	OBSOLETE	B2D34C206/78TA-0	78.0	74.0	30		11.6		27.5			DC290D1/T3 C290D3/T12 C290D2/T12		1 10 83	
177B "Cardinal"	L	O-360-A1F6D (LY)	OBSOLETE	B2D34C208/82PA-6	76.0	75.0	30		12.1		26.0			DC290D1/T3 C290D3/T12 C290D2/T12		1 9 83	
177B "Cardinal"	L	O-360-A1F6D (LY)	P2114392-21	B2D34C211/82PCA-6	76.0	75.0	30		12.1		26.0			DC290D1/T3 C290D3/T12 C290D2/T12		9 83	
177B "Cardinal"	L	O-360-A1F6D (LY)	P4287151-02	B3D36C428/82NPA-2	76.0	75.0	30		9.5		3.8	D-6614	P	DC290D1/T3 C290D3/T12 C290D2/T12	SA477CH McCauley PL60164	60 83	
177RG "Cardinal RG"	L	IO-360-A1B6 (LY)	OBSOLETE	B2D34C206/78TA-0	78.0	76.5	30		12.9		27.5			DC290D1/T2 C290D3/T11 C290D2/T11		1 10 83	
177RG "Cardinal RG"	L	IO-360-A1B6 (LY)	P2074392-01	B2D34C207/78TCA-0	78.0	76.5	30		12.9		27.5			DC290D1/T2 C290D3/T11 C290D2/T11		10 83	
177RG "Cardinal RG"	L	IO-360-A1B6 (LY)	P4155922-01	C3D36C415/82NGA-8	74.0	72.0	30		10.9		33.8	D-6614	P	DC290D1/T2 C290D3/T11 C290D2/T11	SA838NE US Prop of Connecticut	92	
177RG "Cardinal RG"	L	IO-360-A1B6 (LY)	P4287151-01	B3D36C428/82NPA-2	76.0	75.0	30		10.5		33.8	D-6614	P	DC290D1/T2 C290D3/T11 C290D2/T11	SA477CH McCauley PL60161	60 83	
177RG "Cardinal RG"	L	IO-360-A1B6D (LY)	OBSOLETE	B2D34C206/78TA-0	78.0	76.5	30		12.9		27.5			DC290D1/T3 C290D3/T12 C290D2/T12		1 10 83	
177RG "Cardinal RG"	L	IO-360-A1B6D (LY)	P2074392-01	B2D34C207/78TCA-0	78.0	76.5	30		12.9		27.5			DC290D1/T3 C290D3/T12 C290D2/T12		10 83	
177RG "Cardinal RG"	L	IO-360-A1B6D (LY)	P4155922-01	C3D36C415/82NGA-8	74.0	72.0	30		10.9		33.8	D-6614	P	DC290D1/T3 C290D3/T12 C290D2/T12	SA838NE US Prop of Connecticut	92	
177RG "Cardinal RG"	L	IO-360-A1B6D (LY)	P4287151-01	B3D36C428/82NPA-2	76.0	75.0	30		10.5		33.8	D-6614	P	DC290D1/T3 C290D3/T12 C290D2/T12	SA477CH McCauley PL60161	60 83	
180		O-470-A (TCM)	OBSOLETE	2A36C1-U/90M-2	88.0	86.0	36		8.0		22.0			C290D3/T1 C290D2/T1		1	
180		O-470-A (TCM)	OBSOLETE	2A36C1-U/90M-8	82.0	80.0	36		10.5		22.0			C290D3/T1 C290D2/T1		1	
180		O-470-A (TCM)	OBSOLETE	2A36C18/90M-2	88.0	86.0	36		8.0		22.0			C290D3/T1 C290D2/T1		1	
180		O-470-A (TCM)	OBSOLETE	2A36C18/90M-8	82.0	80.0	36		10.5		22.0			C290D3/T1 C290D2/T1		1	
180		O-470-A (TCM)	OBSOLETE	2A36C29/90M-2	88.0	86.0	36		8.0		22.0			C290D3/T1 C290D2/T1		1	

Constant Speed Propeller Applications

Aircraft		Engine		Part Number	Model	Diameter		Ref		Blade Angles			Spinner		Governors	STC Number STC Holder STC Kit P/N	Notes
Model	T Y P E	Model (Make)				Max	Min	Sta	Rev	Low or Flight Idle	Latch or Start Locks	High or Feather	Assembly P/N	T y p e			
180		O-470-A (TCM)	OBSOLETE	2A36C29/90M-8	82.0	80.0	36		10.5		22.0			C290D3/T1 C290D2/T1		1	
180		O-470-A (TCM)	OBSOLETE	2A34C50/90A-2	88.0	86.0	36		10.5		22.0			C290D3/T1 C290D2/T1		1	
180		O-470-A (TCM)	OBSOLETE	2A34C50/90A-8	82.0	80.0	36		10.5		22.0			C290D3/T1 C290D2/T1		1	
180		O-470-A (TCM)	OBSOLETE	2A34C66/90AT-2	88.0	86.0	36		8.0		22.0			C290D3/T1 C290D2/T1		1	
180		O-470-A (TCM)	OBSOLETE	2A34C66/90AT-8	82.0	80.0	36		10.5		22.0			C290D3/T1 C290D2/T1		1	
180	A F L	O-470-A (TCM)	P2017294-52	2A34C201/90DA-2	88.0	86.5	30		10.5		24.5			C290D3/T1 C290D2/T1	SA2229CE Northwest	81	
180	L	O-470-A (TCM)	P2017294-51	2A34C201/90DA-8	82.0	80.0	30		13.0		24.5			C290D3/T1 C290D2/T1	SA2229CE Northwest	81	
180	A F L S	O-470-A (TCM)	P2033909-52	2A34C203/90DCA-2	88.0	86.5	30		10.0		24.5			C290D3/T1 C290D2/T1		25	
180	A F	O-470-A (TCM)	P2033909-57	2A34C203/90DCA-2	88.0	86.5	30		10.0		24.5	D-7519-1	P	C290D3/T1 C290D2/T1	SA01033CH McCauley PL60289 PL60292	81	
180	A F L	O-470-A (TCM)	P2033909-52 P2033909-57	2A34C203/90DCA-2	88.0	86.5	30		10.0		24.5			C290D3/T1 C290D2/T1	SA2229CE Northwest	81	
180	A F	O-470-A (TCM)	P2033909-52 P2033909-57	2A34C203/90DCA-2	88.0	86.5	30		10.0		24.5			C290D3/T1 C290D2/T1	SA3237NM American	81	
180		O-470-A (TCM)	P2033909-51	2A34C203/90DCA-8	82.0	80.5	30		12.5		25.0			C290D3/T1 C290D2/T1		24	
180		O-470-A (TCM)	P2033909-56	2A34C203/90DCA-8	82.0	80.5	30		12.5		25.0	D-7519-1	P	C290D3/T1 C290D2/T1	SA01033CH McCauley PL60287 PL60291	81	
180	L	O-470-A (TCM)		2A34C203/90DCA-8	82.0	80.5	30		12.5		24.0			C290D3/T1 C290D2/T1	SA2229CE Northwest	81	
180	L	O-470-A (TCM)	P2033909-51 P2033909-56	2A34C203/90DCA-8	82.0	80.5	30		12.5		25.0			C290D3/T1 C290D2/T1	SA3237NM American	81	
180	A F L	O-470-A (TCM)		C2A34C204/90DCB-2	88.0	86.5	30		10.5		24.5			C290D3/T1 C290D2/T1	SA2229CE Northwest	81	
180	L	O-470-A (TCM)		C2A34C204/90DCB-8	82.0	80.5	30		13.0		24.5			C290D3/T1 C290D2/T1	SA2229CE Northwest	81	
180		O-470-A (TCM)	P4357483-01	D3A36C435/80VEA-0	80.0	78.0	30		10.8		33.9	D-7510-1	P	C290D3/T1 C290D2/T1	SA00819CH McCauley PL60228 PL60239		
180		O-470-J (TCM)	OBSOLETE	2A36C1-U/90M-2	88.0	86.0	36		8.0		22.0			C290D3/T1 C290D2/T1		1	
180		O-470-J (TCM)	OBSOLETE	2A36C1-U/90M-8	82.0	80.0	36		10.5		22.0			C290D3/T1 C290D2/T1		1	

Constant Speed Propeller Applications

Aircraft		Engine		Model	Diameter		Ref		Blade Angles			Spinner		Governors	STC Number STC Holder STC Kit P/N	Notes
Model	TYPE	Model (Make)	Part Number		Max	Min	Sta	Rev	Low or Flight Idle	Latch or Start Locks	High or Feather	Assembly P/N	Type			
180		O-470-J (TCM)	OBSOLETE	2A36C18/90M-2	88.0	86.0	36		8.0		22.0			C290D3/T1 C290D2/T1		1
180		O-470-J (TCM)	OBSOLETE	2A36C18/90M-8	82.0	80.0	36		10.5		22.0			C290D3/T1 C290D2/T1		1
180		O-470-J (TCM)	OBSOLETE	2A36C29/90M-2	88.0	86.0	36		8.0		22.0			C290D3/T1 C290D2/T1		1
180		O-470-J (TCM)	OBSOLETE	2A36C29/90M-8	82.0	80.0	36		10.5		22.0			C290D3/T1 C290D2/T1		1
180		O-470-J (TCM)	OBSOLETE	2A34C50/90A-2	88.0	86.0	36		10.5		22.0			C290D3/T1 C290D2/T1		1
180		O-470-J (TCM)	OBSOLETE	2A34C50/90A-8	82.0	80.0	36		10.5		22.0			C290D3/T1 C290D2/T1		1
180		O-470-J (TCM)	OBSOLETE	2A34C66/90AT-2	88.0	86.0	36		8.0		22.0			C290D3/T1 C290D2/T1		1
180		O-470-J (TCM)	OBSOLETE	2A34C66/90AT-8	82.0	80.0	36		10.5		22.0			C290D3/T1 C290D2/T1		1
180	AFL	O-470-J (TCM)	P2017294-52	2A34C201/90DA-2	88.0	86.5	30		10.5		24.5			C290D3/T1 C290D2/T1	SA2229CE Northwest	
180	L	O-470-J (TCM)	P2017294-51	2A34C201/90DA-8	82.0	80.0	30		13.0		24.5			C290D3/T1 C290D2/T1	SA2229CE Northwest	
180	AFLS	O-470-J (TCM)	P2033909-52	2A34C203/90DCA-2	88.0	86.5	30		10.0		24.5			C290D3/T1 C290D2/T1		25
180	AF	O-470-J (TCM)	P2033909-57	2A34C203/90DCA-2	88.0	86.5	30		10.0		24.5	D-7519-1	P	C290D3/T1 C290D2/T1	SA01033CH McCauley PL60289 PL60292	
180	AFL	O-470-J (TCM)	P2033909-52 P2033909-57	2A34C203/90DCA-2	88.0	86.5	30		10.0		24.5			C290D3/T1 C290D2/T1	SA2229CE Northwest	
180	AF	O-470-J (TCM)	P2033909-52 P2033909-57	2A34C203/90DCA-2	88.0	86.5	30		10.0		24.5			C290D3/T1 C290D2/T1	SA3237NM American	
180		O-470-J (TCM)	P2033909-51	2A34C203/90DCA-8	82.0	80.5	30		12.5		25.0			C290D3/T1 C290D2/T1		24
180		O-470-J (TCM)	P2033909-56	2A34C203/90DCA-8	82.0	80.5	30		12.5		25.0	D-7519-1	P	C290D3/T1 C290D2/T1	SA01033CH McCauley PL60287 PL60291	
180	L	O-470-J (TCM)		2A34C203/90DCA-8	82.0	80.5	30		12.5		24.0			C290D3/T1 C290D2/T1	SA2229CE Northwest	
180	L	O-470-J (TCM)	P2033909-51 P2033909-56	2A34C203/90DCA-8	82.0	80.5	30		12.5		25.0			C290D3/T1 C290D2/T1	SA3237NM American	
180	AFL	O-470-J (TCM)		C2A34C204/90DCB-2	88.0	86.5	30		10.5		24.5			C290D3/T1 C290D2/T1	SA2229CE Northwest	
180	L	O-470-J (TCM)		C2A34C204/90DCB-8	82.0	80.5	30		13.0		24.5			C290D3/T1 C290D2/T1	SA2229CE Northwest	

Constant Speed Propeller Applications

Aircraft		Engine		Part Number	Model	Diameter		Ref		Blade Angles			Spinner		Governors	STC Number STC Holder STC Kit P/N	Notes
Model	T Y P E	Model (Make)	Model (Make)			Max	Min	Sta	Rev	Low or Flight Idle	Latch or Start Locks	High or Feather	Assembly P/N	T y p e			
180		O-470-J (TCM)	P4357483-01	D3A36C435/80VEA-0	80.0	78.0	30		10.8		33.9	D-7510-1	P	C290D3/T1 C290D2/T1	SA00819CH McCauley PL60228 PL60239		
180		O-470-K (TCM)	OBSOLETE	2A36C1-U/90M-2	88.0	86.0	36		8.0		22.0			C290D3/T1 C290D2/T1		1	
180		O-470-K (TCM)	OBSOLETE	2A36C1-U/90M-8	82.0	80.0	36		10.5		22.0			C290D3/T1 C290D2/T1		1	
180		O-470-K (TCM)	OBSOLETE	2A36C18/90M-2	88.0	86.0	36		8.0		22.0			C290D3/T1 C290D2/T1		1	
180		O-470-K (TCM)	OBSOLETE	2A36C18/90M-8	82.0	80.0	36		10.5		22.0			C290D3/T1 C290D2/T1		1	
180		O-470-K (TCM)	OBSOLETE	2A36C29/90M-2	88.0	86.0	36		8.0		22.0			C290D3/T1 C290D2/T1		1	
180		O-470-K (TCM)	OBSOLETE	2A36C29/90M-8	82.0	80.0	36		10.5		22.0			C290D3/T1 C290D2/T1		1	
180		O-470-K (TCM)	OBSOLETE	2A34C50/90A-2	88.0	86.0	36		10.5		22.0			C290D3/T1 C290D2/T1		1	
180		O-470-K (TCM)	OBSOLETE	2A34C50/90A-8	82.0	80.0	36		10.5		22.0			C290D3/T1 C290D2/T1		1	
180		O-470-K (TCM)	OBSOLETE	2A34C66/90AT-2	88.0	86.0	36		8.0		22.0			C290D3/T1 C290D2/T1		1	
180		O-470-K (TCM)	OBSOLETE	2A34C66/90AT-8	82.0	80.0	36		10.5		22.0			C290D3/T1 C290D2/T1		1	
180	A F L	O-470-K (TCM)	P2017294-52	2A34C201/90DA-2	88.0	86.5	30		10.5		24.5			C290D3/T1 C290D2/T1	SA2229CE Northwest		
180	L	O-470-K (TCM)	P2017294-51	2A34C201/90DA-8	82.0	80.0	30		13.0		24.5			C290D3/T1 C290D2/T1	SA2229CE Northwest		
180	A F L S	O-470-K (TCM)	P2033909-52	2A34C203/90DCA-2	88.0	86.5	30		10.0		24.5			C290D3/T1 C290D2/T1		25	
180	A F	O-470-K (TCM)	P2033909-57	2A34C203/90DCA-2	88.0	86.5	30		10.0		24.5	D-7519-1	P	C290D3/T1 C290D2/T1	SA01033CH McCauley PL60289 PL60292		
180	A F L	O-470-K (TCM)	P2033909-52 P2033909-57	2A34C203/90DCA-2	88.0	86.5	30		10.0		24.5			C290D3/T1 C290D2/T1	SA2229CE Northwest		
180	A F	O-470-K (TCM)	P2033909-52 P2033909-57	2A34C203/90DCA-2	88.0	86.5	30		10.0		24.5			C290D3/T1 C290D2/T1	SA3237NM American		
180		O-470-K (TCM)	P2033909-51	2A34C203/90DCA-8	82.0	80.5	30		12.5		25.0			C290D3/T1 C290D2/T1		24	
180		O-470-K (TCM)	P2033909-56	2A34C203/90DCA-8	82.0	80.5	30		12.5		25.0	D-7519-1	P	C290D3/T1 C290D2/T1	SA01033CH McCauley PL60287 PL60291		
180	L	O-470-K (TCM)		2A34C203/90DCA-8	82.0	80.5	30		12.5		24.0			C290D3/T1 C290D2/T1	SA2229CE Northwest		
180	L	O-470-K (TCM)	P2033909-51 P2033909-56	2A34C203/90DCA-8	82.0	80.5	30		12.5		25.0			C290D3/T1 C290D2/T1	SA3237NM American		

Constant Speed Propeller Applications

Aircraft		Engine		Part Number	Model	Diameter		Ref		Blade Angles			Spinner		Governors	STC Number STC Holder STC Kit P/N	Notes
Model	TYPE	Model (Make)	Model			Max	Min	Sta	Rev	Low or Flight Idle	Latch or Start Locks	High or Feather	Assembly P/N	Type			
180	AFL	O-470-K (TCM)			C2A34C204/90DCB-2	88.0	86.5	30		10.5		24.5			C290D3/T1 C290D2/T1	SA2229CE Northwest	
180	L	O-470-K (TCM)			C2A34C204/90DCB-8	82.0	80.5	30		13.0		24.5			C290D3/T1 C290D2/T1	SA2229CE Northwest	
180		O-470-K (TCM)	P4357483-01		D3A36C435/80VEA-0	80.0	78.0	30		10.8		33.9	D-7510-1	P	C290D3/T1 C290D2/T1	SA00819CH McCaughey PL60228 PL60239	
180		O-470-U-TS (STC)			C2A34C204/90DCB-8	82.0	80.5	30		10.4		29.4				SA8950SW Texas Skyways	
180		O-470-50 (STC)			D3A34C401/90DFA-10	80.0	78.5	30		10.4		28.0	D-3669 D-3867	S S		SA00468WI P. Ponk	
180		O-470-50 (STC)			D3A34C401/90DFA-8	82.0	80.5	30		10.4		28.0	D-3669 D-3867	S S		SA00468WI P. Ponk	
180		O-470-50 (STC)			D3A34C401/90DFA-6	84.0	82.5	30		10.0		28.0	D-3669 D-3867	S S		SA00468WI P. Ponk	
180		O-470-50 (STC)			D3A34C401/90DFA-4	86.0	84.5	30		10.0		28.0	D-3669 D-3867	S S		SA00468WI P. Ponk	
180		O-470-50 (STC)			D3A34C401/90DFA-2	88.0	86.5	30		10.0		28.0	D-3669 D-3867	S S		SA00468WI P. Ponk	
180		IO-470-L (TCM)			D3A32C90/82NC-			30								SA5463SW Chris Rice	
180		O-520-F-TS (STC)	P4014808-07		D3A34C401/90DFA-2	88.0	87.0	30		8.8		28.5	D-3867-1 D-6594	P P		SA09400SC Texas Skyways	112
180		O-520-F-TS (STC)	P4014808-04		D3A34C401/90DFA-10	80.0	76.0	30		10.4		28.5	D-3867-1 D-6594	P P		SA09018SC Texas Skyways	
180		O-520-LC-TS (STC)	P4014808-07		D3A34C401/90DFA-2	88.0	87.0	30		8.8		28.5	D-3867-1 D-6594	P P		SA09400SC Texas Skyways	112
180		O-520-U-TS (STC)	P4014808-04		D3A34C401/90DFA-10	80.0	76.0	30		10.4		28.5	D-3867-1 D-6594	P P		SA09018SC Texas Skyways	
180		O-550-F-TS (STC)	P4014808-07		D3A34C401/90DFA-2	88.0	87.0	30		8.8		28.5	D-3867-1 D-6594	P P		SA09400SC Texas Skyways	112
180		O-550-F-TS (STC)			D3A34C401/90DFA-10	80.0	76.0	30		10.0		28.5	D-6594	P		SA09132SC Texas Skyways	
180		IO-520 series (TCM)	P4014808-09		D3A34C401/90DFA-2	88.0	86.0	30		10.0		28.5	D-3867 D-3669	S S		SA00531WI Air Plains	88
180		IO-520 series (TCM)	P4014808-12		D3A34C401/90DFA-4	86.0	84.0	30		10.0		28.0	D-3867 D-3669	S S		SA00531WI Air Plains	84
180		IO-520 series (TCM)	P4014808-13		D3A34C401/90DFA-6	84.0	82.0	30		10.0		28.0	D-3867 D-3669	S S		SA00531WI Air Plains	
180		IO-520 series (TCM)	P4014808-14		D3A34C401/90DFA-8	82.0	80.0	30		10.4		28.5	D-3867 D-3669	S S		SA00531WI Air Plains	
180		IO-520 series (TCM)	P4014808-04		D3A34C401/90DFA-10	80.0	78.0	30		10.4		28.5	D-3867 D-3669	S S		SA00531WI Air Plains	89

Constant Speed Propeller Applications

Aircraft		Engine		Model	Diameter		Ref		Blade Angles			Spinner		Governors	STC Number STC Holder STC Kit P/N	Notes
Model	TYPE	Model (Make)	Part Number		Max	Min	Sta	Rev	Low or Flight Idle	Latch or Start Locks	High or Feather	Assembly P/N	Type			
180		IO-550 series (TCM)	P4014808-09	D3A34C401/90DFA-2	88.0	86.0	30		10.0		28.5	D-3867 D-3669	SS		SA00531WI Air Plains	88
180		IO-550 series (TCM)	P4014808-12	D3A34C401/90DFA-4	86.0	84.0	30		10.0		28.0	D-3867 D-3669	SS		SA00531WI Air Plains	84
180		IO-550 series (TCM)	P4014808-13	D3A34C401/90DFA-6	84.0	82.0	30		10.0		28.0	D-3867 D-3669	SS		SA00531WI Air Plains	90
180		IO-550 series (TCM)	P4014808-14	D3A34C401/90DFA-8	82.0	80.0	30		10.4		28.5	D-3867 D-3669	SS		SA00531WI Air Plains	
180		IO-550 series (TCM)	P4014808-04	D3A34C401/90DFA-10	80.0	78.0	30		10.4		28.5	D-3867 D-3669	SS		SA00531WI Air Plains	89
180A		O-470-K (TCM)	OBSOLETE	2A36C1-U/90M-2	88.0	86.0	36		8.0		22.0			C290D3/T1 C290D2/T1		1
180A		O-470-K (TCM)	OBSOLETE	2A36C1-U/90M-8	82.0	80.0	36		10.5		22.0			C290D3/T1 C290D2/T1		1
180A		O-470-K (TCM)	OBSOLETE	2A36C18/90M-2	88.0	86.0	36		8.0		22.0			C290D3/T1 C290D2/T1		1
180A		O-470-K (TCM)	OBSOLETE	2A36C18/90M-8	82.0	80.0	36		10.5		22.0			C290D3/T1 C290D2/T1		1
180A		O-470-K (TCM)	OBSOLETE	2A36C29/90M-2	88.0	86.0	36		8.0		22.0			C290D3/T1 C290D2/T1		1
180A		O-470-K (TCM)	OBSOLETE	2A36C29/90M-8	82.0	80.0	36		10.5		22.0			C290D3/T1 C290D2/T1		1
180A		O-470-K (TCM)	OBSOLETE	2A34C50/90A-2	88.0	86.0	36		10.5		22.0			C290D3/T1 C290D2/T1		1
180A		O-470-K (TCM)	OBSOLETE	2A34C50/90A-8	82.0	80.0	36		10.5		22.0			C290D3/T1 C290D2/T1		1
180A		O-470-K (TCM)	OBSOLETE	2A34C66/90AT-2	88.0	86.0	36		8.0		22.0			C290D3/T1 C290D2/T1		1
180A		O-470-K (TCM)	OBSOLETE	2A34C66/90AT-8	82.0	80.0	36		10.5		22.0			C290D3/T1 C290D2/T1		1
180A	AF	O-470-K (TCM)	P2017294-52	2A34C201/90DA-2	88.0	86.5	30		10.5		24.5			C290D3/T1 C290D2/T1	SA2229CE Northwest	
180A	L	O-470-K (TCM)	P2017294-51	2A34C201/90DA-8	82.0	80.0	30		13.0		24.5			C290D3/T1 C290D2/T1	SA2229CE Northwest	
180A	AF LS	O-470-K (TCM)	P2033909-52	2A34C203/90DCA-2	88.0	86.5	30		10.0		24.5			C290D3/T1 C290D2/T1		25
180A	AF	O-470-K (TCM)	P2033909-57	2A34C203/90DCA-2	88.0	86.5	30		10.0		24.5	D-7519-1	P	C290D3/T1 C290D2/T1	SA01033CH McCauley PL60289 PL60292	
180A	AF L	O-470-K (TCM)	P2033909-52 P2033909-57	2A34C203/90DCA-2	88.0	86.5	30		10.0		24.5			C290D3/T1 C290D2/T1	SA2229CE Northwest	
180A	AF	O-470-K (TCM)	P2033909-52 P2033909-57	2A34C203/90DCA-2	88.0	86.5	30		10.0		24.5			C290D3/T1 C290D2/T1	SA3237NM American	
180A		O-470-K (TCM)	P2033909-51	2A34C203/90DCA-8	82.0	80.5	30		12.5		25.0			C290D3/T1 C290D2/T1		24

Constant Speed Propeller Applications

Aircraft		Engine		Part Number	Model	Diameter		Ref		Blade Angles			Spinner		Governors	STC Number STC Holder STC Kit P/N	Notes
Model	T Y P E	Model (Make)	Model			Max	Min	Sta	Rev	Low or Flight Idle	Latch or Start Locks	High or Feather	Assembly P/N	T y p e			
180A		O-470-K (TCM)	P2033909-56	2A34C203/90DCA-8	82.0	80.5	30		12.5		25.0	D-7519-1	P	C290D3/T1 C290D2/T1	SA01033CH McCauley PL60287 PL60291		
180A	L	O-470-K (TCM)		2A34C203/90DCA-8	82.0	80.5	30		12.5		24.0			C290D3/T1 C290D2/T1	SA2229CE Northwest		
180A	L	O-470-K (TCM)	P2033909-51 P2033909-56	2A34C203/90DCA-8	82.0	80.5	30		12.5		25.0			C290D3/T1 C290D2/T1	SA3237NM American		
180A	A F L	O-470-K (TCM)		C2A34C204/90DCB-2	88.0	86.5	30		10.5		24.5			C290D3/T1 C290D2/T1	SA2229CE Northwest		
180A	L	O-470-K (TCM)		C2A34C204/90DCB-8	82.0	80.5	30		13.0		24.5			C290D3/T1 C290D2/T1	SA2229CE Northwest		
180A		O-470-K (TCM)	P4114808-02	D3A32C411/82NDA-2	80.0	78.0	30		11.0		25.6	D-6594	P	C290D3/T1 C290D2/T1	SA2BO US Propeller of Connecticut		
180A		O-470-K (TCM)	P4357483-01	D3A36C435/80VEA-0	80.0	78.0	30		10.8		33.9	D-7510-1	P	C290D3/T1 C290D2/T1	SA00819CH McCauley PL60228 PL60239		
180A		O-470-U-TS (STC)		C2A34C204/90DCB-8	82.0	80.5	30		10.4		29.4				SA8950SW Texas Skyways		
180A		O-470-50 (STC)		D3A34C401/90DFA-10	80.0	78.5	30		10.4		28.0	D-3669 D-3867	S S		SA00468WI P. Ponk		
180A		O-470-50 (STC)		D3A34C401/90DFA-8	82.0	80.5	30		10.4		28.0	D-3669 D-3867	S S		SA00468WI P. Ponk		
180A		O-470-50 (STC)		D3A34C401/90DFA-6	84.0	82.5	30		10.0		28.0	D-3669 D-3867	S S		SA00468WI P. Ponk		
180A		O-470-50 (STC)		D3A34C401/90DFA-4	86.0	84.5	30		10.0		28.0	D-3669 D-3867	S S		SA00468WI P. Ponk		
180A		O-470-50 (STC)		D3A34C401/90DFA-2	88.0	86.5	30		10.0		28.0	D-3669 D-3867	S S		SA00468WI P. Ponk		
180A		O-520-F-TS (STC)	P4014808-07	D3A34C401/90DFA-2	88.0	87.0	30		8.8		28.5	D-3867-1 D-6594	P P		SA09400SC Texas Skyways	112	
180A		O-520-F-TS (STC)	P4014808-04	D3A34C401/90DFA-10	80.0	76.0	30		10.4		28.5	D-3867-1 D-6594	P P		SA09018SC Texas Skyways		
180A		O-520-LC-TS (STC)	P4014808-07	D3A34C401/90DFA-2	88.0	87.0	30		8.8		28.5	D-3867-1 D-6594	P P		SA09400SC Texas Skyways	112	
180A		O-520-U-TS (STC)	P4014808-04	D3A34C401/90DFA-10	80.0	76.0	30		10.4		28.5	D-3867-1 D-6594	P P		SA09018SC Texas Skyways		
180A		IO-520 series (TCM)	P4014808-09	D3A34C401/90DFA-2	88.0	86.0	30		10.0		28.5	D-3867 D-3669	S S		SA00531WI Air Plains	88	
180A		IO-520 series (TCM)	P4014808-12	D3A34C401/90DFA-4	86.0	84.0	30		10.0		28.0	D-3867 D-3669	S S		SA00531WI Air Plains	84	
180A		IO-520 series (TCM)	P4014808-13	D3A34C401/90DFA-6	84.0	82.0	30		10.0		28.0	D-3867 D-3669	S S		SA00531WI Air Plains		

Constant Speed Propeller Applications

Aircraft		Engine		Model	Diameter		Ref		Blade Angles			Spinner		Governors	STC Number STC Holder STC Kit P/N	Notes
Model	TYPE	Model (Make)	Part Number		Max	Min	Sta	Rev	Low or Flight Idle	Latch or Start Locks	High or Feather	Assembly P/N	Type			
180A		IO-520 series (TCM)	P4014808-14	D3A34C401/90DFA-8	82.0	80.0	30		10.4		28.5	D-3867 D-3669	SS		SA00531WI Air Plains	
180A		IO-520 series (TCM)	P4014808-04	D3A34C401/90DFA-10	80.0	78.0	30		10.4		28.5	D-3867 D-3669	SS		SA00531WI Air Plains	89
180A		O-550-F-TS (STC)	P4014808-07	D3A34C401/90DFA-2	88.0	87.0	30		8.8		28.5	D-3867-1 D-6594	PP		SA09400SC Texas Skyways	112
180A		O-550-F-TS (STC)		D3A34C401/90DFA-10	80.0	76.0	30		10.0		28.5	D-6594	P		SA09132SC Texas Skyways	
180A		IO-550 series (TCM)	P4014808-09	D3A34C401/90DFA-2	88.0	86.0	30		10.0		28.5	D-3867 D-3669	SS		SA00531WI Air Plains	88
180A		IO-550 series (TCM)	P4014808-12	D3A34C401/90DFA-4	86.0	84.0	30		10.0		28.0	D-3867 D-3669	SS		SA00531WI Air Plains	84
180A		IO-550 series (TCM)	P4014808-13	D3A34C401/90DFA-6	84.0	82.0	30		10.0		28.0	D-3867 D-3669	SS		SA00531WI Air Plains	90
180A		IO-550 series (TCM)	P4014808-14	D3A34C401/90DFA-8	82.0	80.0	30		10.4		28.5	D-3867 D-3669	SS		SA00531WI Air Plains	
180A		IO-550 series (TCM)	P4014808-04	D3A34C401/90DFA-10	80.0	78.0	30		10.4		28.5	D-3867 D-3669	SS		SA00531WI Air Plains	89
180B		O-470-K (TCM)	OBSOLETE	2A36C1-U/90M-2	88.0	86.0	36		8.0		22.0			C290D3/T1 C290D2/T1		1
180B		O-470-K (TCM)	OBSOLETE	2A36C1-U/90M-8	82.0	80.0	36		10.5		22.0			C290D3/T1 C290D2/T1		1
180B		O-470-K (TCM)	OBSOLETE	2A36C18/90M-2	88.0	86.0	36		8.0		22.0			C290D3/T1 C290D2/T1		1
180B		O-470-K (TCM)	OBSOLETE	2A36C18/90M-8	82.0	80.0	36		10.5		22.0			C290D3/T1 C290D2/T1		1
180B		O-470-K (TCM)	OBSOLETE	2A36C29/90M-2	88.0	86.0	36		8.0		22.0			C290D3/T1 C290D2/T1		1
180B		O-470-K (TCM)	OBSOLETE	2A36C29/90M-8	82.0	80.0	36		10.5		22.0			C290D3/T1 C290D2/T1		1
180B		O-470-K (TCM)	OBSOLETE	2A34C50/90A-2	88.0	86.0	36		10.5		22.0			C290D3/T1 C290D2/T1		1
180B		O-470-K (TCM)	OBSOLETE	2A34C50/90A-8	82.0	80.0	36		10.5		22.0			C290D3/T1 C290D2/T1		1
180B		O-470-K (TCM)	OBSOLETE	2A34C66/90AT-2	88.0	86.0	36		8.0		22.0			C290D3/T1 C290D2/T1		1
180B		O-470-K (TCM)	OBSOLETE	2A34C66/90AT-8	82.0	80.0	36		10.5		22.0			C290D3/T1 C290D2/T1		1
180B	AFL	O-470-K (TCM)	P2017294-52	2A34C201/90DA-2	88.0	86.5	30		10.5		24.5			C290D3/T1 C290D2/T1	SA2229CE Northwest	
180B	L	O-470-K (TCM)	P2017294-51	2A34C201/90DA-8	82.0	80.0	30		13.0		24.5			C290D3/T1 C290D2/T1	SA2229CE Northwest	
180B	AFLS	O-470-K (TCM)	P2033909-52	2A34C203/90DCA-2	88.0	86.5	30		10.0		24.5			C290D3/T1 C290D2/T1		25

Constant Speed Propeller Applications

Aircraft		Engine		Model	Diameter		Ref		Blade Angles			Spinner		Governors	STC Number STC Holder STC Kit P/N	Notes
Model	T Y P E	Model (Make)	Part Number		Max	Min	Sta	Rev	Low or Flight Idle	Latch or Start Locks	High or Feather	Assembly P/N	T y p e			
180B	A F	O-470-K (TCM)	P2033909-57	2A34C203/90DCA-2	88.0	86.5	30		10.0		24.5	D-7519-1	P	C290D3/T1 C290D2/T1	SA01033CH McCauley PL60289 PL60292	
180B	A F L	O-470-K (TCM)	P2033909-52 P2033909-57	2A34C203/90DCA-2	88.0	86.5	30		10.0		24.5			C290D3/T1 C290D2/T1	SA2229CE Northwest	
180B	A F	O-470-K (TCM)	P2033909-52 P2033909-57	2A34C203/90DCA-2	88.0	86.5	30		10.0		24.5			C290D3/T1 C290D2/T1	SA3237NM American	
180B		O-470-K (TCM)	P2033909-51	2A34C203/90DCA-8	82.0	80.5	30		12.5		25.0			C290D3/T1 C290D2/T1		24
180B		O-470-K (TCM)	P2033909-56	2A34C203/90DCA-8	82.0	80.5	30		12.5		25.0	D-7519-1	P	C290D3/T1 C290D2/T1	SA01033CH McCauley PL60287 PL60291	
180B	L	O-470-K (TCM)		2A34C203/90DCA-8	82.0	80.5	30		12.5		24.0			C290D3/T1 C290D2/T1	SA2229CE Northwest	
180B	L	O-470-K (TCM)	P2033909-51 P2033909-56	2A34C203/90DCA-8	82.0	80.5	30		12.5		25.0			C290D3/T1 C290D2/T1	SA3237NM American	
180B	A F L	O-470-K (TCM)		C2A34C204/90DCB-2	88.0	86.5	30		10.5		24.5			C290D3/T1 C290D2/T1	SA2229CE Northwest	
180B	L	O-470-K (TCM)		C2A34C204/90DCB-8	82.0	80.5	30		13.0		24.5			C290D3/T1 C290D2/T1	SA2229CE Northwest	
180B		O-470-K (TCM)	P4114808-02	D3A32C411/82NDA-2	80.0	78.0	30		11.0		25.6	D-6594	P	C290D3/T1 C290D2/T1	SA2BO US Propeller of Connecticut	
180B		O-470-K (TCM)	P4357483-01	D3A36C435/80VEA-0	80.0	78.0	30		10.8		33.9	D-7510-1	P	C290D3/T1 C290D2/T1	SA00819CH McCauley PL60228 PL60239	
180B		O-470-U-TS (STC)		C2A34C204/90DCB-8	82.0	80.5	30		10.4		29.4				SA8950SW Texas Skyways	
180B		O-470-50 (STC)		D3A34C401/90DFA-10	80.0	78.5	30		10.4		28.0	D-3669 D-3867	S S		SA00468WI P. Ponk	
180B		O-470-50 (STC)		D3A34C401/90DFA-8	82.0	80.5	30		10.4		28.0	D-3669 D-3867	S S		SA00468WI P. Ponk	
180B		O-470-50 (STC)		D3A34C401/90DFA-6	84.0	82.5	30		10.0		28.0	D-3669 D-3867	S S		SA00468WI P. Ponk	
180B		O-470-50 (STC)		D3A34C401/90DFA-4	86.0	84.5	30		10.0		28.0	D-3669 D-3867	S S		SA00468WI P. Ponk	
180B		O-470-50 (STC)		D3A34C401/90DFA-2	88.0	86.5	30		10.0		28.0	D-3669 D-3867	S S		SA00468WI P. Ponk	
180B		O-520-F-TS (STC)	P4014808-07	D3A34C401/90DFA-2	88.0	87.0	30		8.8		28.5	D-3867-1 D-6594	P P		SA09400SC Texas Skyways	112
180B		O-520-F-TS (STC)	P4014808-04	D3A34C401/90DFA-10	80.0	76.0	30		10.4		28.5	D-3867-1 D-6594	P P		SA09018SC Texas Skyways	

Constant Speed Propeller Applications

Aircraft		Engine		Model	Diameter		Ref		Blade Angles			Spinner		Governors	STC Number STC Holder STC Kit P/N	Notes	
Model	TYPE	Model (Make)	Part Number		Max	Min	Sta	Rev	Low or Flight Idle	Latch or Start Locks	High or Feather	Assembly P/N	Type				
180B		O-520-LC-TS (STC)	P4014808-07	D3A34C401/90DFA-2	88.0	87.0	30		8.8		28.5	D-3867-1 D-6594	P P		SA09400SC Texas Skyways	112	
180B		O-520-U-TS (STC)	P4014808-04	D3A34C401/90DFA-10	80.0	76.0	30		10.4		28.5	D-3867-1 D-6594	P P		SA09018SC Texas Skyways		
180B		IO-520 series (TCM)	P4014808-09	D3A34C401/90DFA-2	88.0	86.0	30		10.0		28.5	D-3867 D-3669	S S		SA00531WI Air Plains	88	
180B		IO-520 series (TCM)	P4014808-12	D3A34C401/90DFA-4	86.0	84.0	30		10.0		28.0	D-3867 D-3669	S S		SA00531WI Air Plains	84	
180B		IO-520 series (TCM)	P4014808-13	D3A34C401/90DFA-6	84.0	82.0	30		10.0		28.0	D-3867 D-3669	S S		SA00531WI Air Plains		
180B		IO-520 series (TCM)	P4014808-14	D3A34C401/90DFA-8	82.0	80.0	30		10.4		28.5	D-3867 D-3669	S S		SA00531WI Air Plains		
180B		IO-520 series (TCM)	P4014808-04	D3A34C401/90DFA-10	80.0	78.0	30		10.4		28.5	D-3867 D-3669	S S		SA00531WI Air Plains	89	
180B		O-550-F-TS (STC)	P4014808-07	D3A34C401/90DFA-2	88.0	87.0	30		8.8		28.5	D-3867-1 D-6594	P P		SA09400SC Texas Skyways	112	
180B		O-550-F-TS (STC)		D3A34C401/90DFA-10	80.0	76.0	30		10.0		28.5	D-6594	P		SA09132SC Texas Skyways		
180B		IO-550 series (TCM)	P4014808-09	D3A34C401/90DFA-2	88.0	86.0	30		10.0		28.5	D-3867 D-3669	S S		SA00531WI Air Plains	88	
180B		IO-550 series (TCM)	P4014808-12	D3A34C401/90DFA-4	86.0	84.0	30		10.0		28.0	D-3867 D-3669	S S		SA00531WI Air Plains	84	
180B		IO-550 series (TCM)	P4014808-13	D3A34C401/90DFA-6	84.0	82.0	30		10.0		28.0	D-3867 D-3669	S S		SA00531WI Air Plains	90	
180B		IO-550 series (TCM)	P4014808-14	D3A34C401/90DFA-8	82.0	80.0	30		10.4		28.5	D-3867 D-3669	S S		SA00531WI Air Plains		
180B		IO-550 series (TCM)	P4014808-04	D3A34C401/90DFA-10	80.0	78.0	30		10.4		28.5	D-3867 D-3669	S S		SA00531WI Air Plains	89	
180C		O-470-L (TCM)	OBSOLETE	2A36C1-U/90M-2	88.0	86.0	36		8.0		22.0				C290D3/T1 C290D2/T1		1
180C		O-470-L (TCM)	OBSOLETE	2A36C1-U/90M-8	82.0	80.0	36		10.5		22.0				C290D3/T1 C290D2/T1		1
180C		O-470-L (TCM)	OBSOLETE	2A36C18/90M-2	88.0	86.0	36		8.0		22.0				C290D3/T1 C290D2/T1		1
180C		O-470-L (TCM)	OBSOLETE	2A36C18/90M-8	82.0	80.0	36		10.5		22.0				C290D3/T1 C290D2/T1		1
180C		O-470-L (TCM)	OBSOLETE	2A36C29/90M-2	88.0	86.0	36		8.0		22.0				C290D3/T1 C290D2/T1		1
180C		O-470-L (TCM)	OBSOLETE	2A36C29/90M-8	82.0	80.0	36		10.5		22.0				C290D3/T1 C290D2/T1		1
180C		O-470-L (TCM)	OBSOLETE	2A34C50/90A-2	88.0	86.0	36		10.5		22.0				C290D3/T1 C290D2/T1		1
180C		O-470-L (TCM)	OBSOLETE	2A34C50/90A-8	82.0	80.0	36		10.5		22.0				C290D3/T1 C290D2/T1		1
180C		O-470-L (TCM)	OBSOLETE	2A34C66/90AT-2	88.0	86.0	36		8.0		22.0				C290D3/T1 C290D2/T1		1
180C		O-470-L (TCM)	OBSOLETE	2A34C66/90AT-8	82.0	80.0	36		10.5		22.0				C290D3/T1 C290D2/T1		1

Constant Speed Propeller Applications

Aircraft		Engine			Diameter		Ref		Blade Angles			Spinner		Governors	STC Number STC Holder STC Kit P/N	Notes
Model	T Y P E	Model (Make)	Part Number	Model	Max	Min	Sta	Rev	Low or Flight Idle	Latch or Start Locks	High or Feather	Assembly P/N	T y p e			
180C	A F L	O-470-L (TCM)	P2017294-52	2A34C201/90DA-2	88.0	86.5	30		10.5		24.5			C290D3/T1 C290D2/T1	SA2229CE Northwest	
180C	L	O-470-L (TCM)	P2017294-51	2A34C201/90DA-8	82.0	80.0	30		13.0		24.5			C290D3/T1 C290D2/T1	SA2229CE Northwest	
180C	A F L S	O-470-L (TCM)	P2033909-52	2A34C203/90DCA-2	88.0	86.5	30		10.0		24.5			C290D3/T1 C290D2/T1		25
180C	A F	O-470-L (TCM)	P2033909-57	2A34C203/90DCA-2	88.0	86.5	30		10.0		24.5	D-7519-1	P	C290D3/T1 C290D2/T1	SA01033CH McCaughey PL60289 PL60292	
180C	A F L	O-470-L (TCM)	P2033909-52 P2033909-57	2A34C203/90DCA-2	88.0	86.5	30		10.0		24.5			C290D3/T1 C290D2/T1	SA2229CE Northwest	
180C	A F	O-470-L (TCM)	P2033909-52 P2033909-57	2A34C203/90DCA-2	88.0	86.5	30		10.0		24.5			C290D3/T1 C290D2/T1	SA3237NM American	
180C		O-470-L (TCM)	P2033909-51	2A34C203/90DCA-8	82.0	80.5	30		12.5		25.0			C290D3/T1 C290D2/T1		24
180C		O-470-L (TCM)	P2033909-56	2A34C203/90DCA-8	82.0	80.5	30		12.5		25.0	D-7519-1	P	C290D3/T1 C290D2/T1	SA01033CH McCaughey PL60287 PL60291	
180C	L	O-470-L (TCM)		2A34C203/90DCA-8	82.0	80.5	30		12.5		24.0			C290D3/T1 C290D2/T1	SA2229CE Northwest	
180C	L	O-470-L (TCM)	P2033909-51 P2033909-56	2A34C203/90DCA-8	82.0	80.5	30		12.5		25.0			C290D3/T1 C290D2/T1	SA3237NM American	
180C	A F L	O-470-L (TCM)		C2A34C204/90DCB-2	88.0	86.5	30		10.5		24.5			C290D3/T1 C290D2/T1	SA2229CE Northwest	
180C	L	O-470-L (TCM)		C2A34C204/90DCB-8	82.0	80.5	30		13.0		24.5			C290D3/T1 C290D2/T1	SA2229CE Northwest	
180C		O-470-L (TCM)	P4114808-02	D3A32C411/82NDA-2	80.0	78.0	30		11.0		25.6	D-6594	P	C290D3/T1 C290D2/T1	SA2BO US Propeller of Connecticut	
180C		O-470-L (TCM)	P4357483-01	D3A36C435/80VEA-0	80.0	78.0	30		10.8		33.9	D-7510-1	P	C290D3/T1 C290D2/T1	SA00819CH McCaughey PL60228 PL60239	
180C		O-470-R (TCM)	OBSOLETE	2A36C1-U/90M-2	88.0	86.0	36		8.0		22.0			C290D3/T1 C290D2/T1		1
180C		O-470-R (TCM)	OBSOLETE	2A36C1-U/90M-8	82.0	80.0	36		10.5		22.0			C290D3/T1 C290D2/T1		1
180C		O-470-R (TCM)	OBSOLETE	2A36C18/90M-2	88.0	86.0	36		8.0		22.0			C290D3/T1 C290D2/T1		1
180C		O-470-R (TCM)	OBSOLETE	2A36C18/90M-8	82.0	80.0	36		10.5		22.0			C290D3/T1 C290D2/T1		1
180C		O-470-R (TCM)	OBSOLETE	2A36C29/90M-2	88.0	86.0	36		8.0		22.0			C290D3/T1 C290D2/T1		1
180C		O-470-R (TCM)	OBSOLETE	2A36C29/90M-8	82.0	80.0	36		10.5		22.0			C290D3/T1 C290D2/T1		1

Constant Speed Propeller Applications

Aircraft		Engine		Model	Diameter		Ref		Blade Angles			Spinner		Governors	STC Number STC Holder STC Kit P/N	Notes
Model	TYPE	Model (Make)	Part Number		Max	Min	Sta	Rev	Low or Flight Idle	Latch or Start Locks	High or Feather	Assembly P/N	Type			
180C		O-470-R (TCM)	OBSOLETE	2A34C50/90A-2	88.0	86.0	36		10.5		22.0			C290D3/T1 C290D2/T1		1
180C		O-470-R (TCM)	OBSOLETE	2A34C50/90A-8	82.0	80.0	36		10.5		22.0			C290D3/T1 C290D2/T1		1
180C		O-470-R (TCM)	OBSOLETE	2A34C66/90AT-2	88.0	86.0	36		8.0		22.0			C290D3/T1 C290D2/T1		1
180C		O-470-R (TCM)	OBSOLETE	2A34C66/90AT-8	82.0	80.0	36		10.5		22.0			C290D3/T1 C290D2/T1		1
180C	A F L	O-470-R (TCM)	P2017294-52	2A34C201/90DA-2	88.0	86.5	30		10.5		24.5			C290D3/T1 C290D2/T1	SA2229CE Northwest	
180C	L	O-470-R (TCM)	P2017294-51	2A34C201/90DA-8	82.0	80.0	30		13.0		24.5			C290D3/T1 C290D2/T1	SA2229CE Northwest	
180C	A F L S	O-470-R (TCM)	P2033909-52	2A34C203/90DCA-2	88.0	86.5	30		10.0		24.5			C290D3/T1 C290D2/T1		25
180C	A F	O-470-R (TCM)	P2033909-57	2A34C203/90DCA-2	88.0	86.5	30		10.0		24.5	D-7519-1	P	C290D3/T1 C290D2/T1	SA01033CH McCauley PL60289 PL60292	
180C	A F L	O-470-R (TCM)	P2033909-52 P2033909-57	2A34C203/90DCA-2	88.0	86.5	30		10.0		24.5			C290D3/T1 C290D2/T1	SA2229CE Northwest	
180C	A F	O-470-R (TCM)	P2033909-52 P2033909-57	2A34C203/90DCA-2	88.0	86.5	30		10.0		24.5			C290D3/T1 C290D2/T1	SA3237NM American	
180C		O-470-R (TCM)	P2033909-51	2A34C203/90DCA-8	82.0	80.5	30		12.5		25.0			C290D3/T1 C290D2/T1		24
180C		O-470-R (TCM)	P2033909-56	2A34C203/90DCA-8	82.0	80.5	30		12.5		25.0	D-7519-1	P	C290D3/T1 C290D2/T1	SA01033CH McCauley PL60287 PL60291	
180C	L	O-470-R (TCM)		2A34C203/90DCA-8	82.0	80.5	30		12.5		24.0			C290D3/T1 C290D2/T1	SA2229CE Northwest	
180C	L	O-470-R (TCM)	P2033909-51 P2033909-56	2A34C203/90DCA-8	82.0	80.5	30		12.5		25.0			C290D3/T1 C290D2/T1	SA3237NM American	
180C	A F L	O-470-R (TCM)		C2A34C204/90DCB-2	88.0	86.5	30		10.5		24.5			C290D3/T1 C290D2/T1	SA2229CE Northwest	
180C	L	O-470-R (TCM)		C2A34C204/90DCB-8	82.0	80.5	30		13.0		24.5			C290D3/T1 C290D2/T1	SA2229CE Northwest	
180C		O-470-R (TCM)	P4114808-02	D3A32C411/82NDA-2	80.0	78.0	30		11.0		25.6	D-6594	P	C290D3/T1 C290D2/T1	SA2BO US Propeller of Connecticut	
180C		O-470-R (TCM)	P4357483-01	D3A36C435/80VEA-0	80.0	78.0	30		10.8		33.9	D-7510-1	P	C290D3/T1 C290D2/T1	SA00819CH McCauley PL60228 PL60239	
180C		O-470-U-TS (STC)		C2A34C204/90DCB-8	82.0	80.5	30		10.4		29.4				SA8950SW Texas Skyways	

Constant Speed Propeller Applications

Aircraft		Engine		Diameter	Ref	Blade Angles					Spinner		Governors	STC Number STC Holder STC Kit P/N	Notes	
Model	TYPE	Model (Make)	Part Number			Model	Max	Min	Sta	Rev	Low or Flight Idle	Latch or Start Locks				High or Feather
180C		O-470-50 (STC)		D3A34C401/90DFA-10	80.0	78.5	30		10.4		28.0	D-3669 D-3867	S S	SA00468WI P. Ponk		
180C		O-470-50 (STC)		D3A34C401/90DFA-8	82.0	80.5	30		10.4		28.0	D-3669 D-3867	S S	SA00468WI P. Ponk		
180C		O-470-50 (STC)		D3A34C401/90DFA-6	84.0	82.5	30		10.0		28.0	D-3669 D-3867	S S	SA00468WI P. Ponk		
180C		O-470-50 (STC)		D3A34C401/90DFA-4	86.0	84.5	30		10.0		28.0	D-3669 D-3867	S S	SA00468WI P. Ponk		
180C		O-470-50 (STC)		D3A34C401/90DFA-2	88.0	86.5	30		10.0		28.0	D-3669 D-3867	S S	SA00468WI P. Ponk		
180C		O-520-F-TS (STC)	P4014808-07	D3A34C401/90DFA-2	88.0	87.0	30		8.8		28.5	D-3867-1 D-6594	P P	SA09400SC Texas Skyways	112	
180C		O-520-F-TS (STC)	P4014808-04	D3A34C401/90DFA-10	80.0	76.0	30		10.4		28.5	D-3867-1 D-6594	P P	SA09018SC Texas Skyways		
180C		O-520-LC-TS (STC)	P4014808-07	D3A34C401/90DFA-2	88.0	87.0	30		8.8		28.5	D-3867-1 D-6594	P P	SA09400SC Texas Skyways	112	
180C		O-520-U-TS (STC)	P4014808-04	D3A34C401/90DFA-10	80.0	76.0	30		10.4		28.5	D-3867-1 D-6594	P P	SA09018SC Texas Skyways		
180C		IO-520 series (TCM)	P4014808-09	D3A34C401/90DFA-2	88.0	86.0	30		10.0		28.5	D-3867 D-3669	S S	SA00531WI Air Plains	88	
180C		IO-520 series (TCM)	P4014808-12	D3A34C401/90DFA-4	86.0	84.0	30		10.0		28.0	D-3867 D-3669	S S	SA00531WI Air Plains	84	
180C		IO-520 series (TCM)	P4014808-13	D3A34C401/90DFA-6	84.0	82.0	30		10.0		28.0	D-3867 D-3669	S S	SA00531WI Air Plains		
180C		IO-520 series (TCM)	P4014808-14	D3A34C401/90DFA-8	82.0	80.0	30		10.4		28.5	D-3867 D-3669	S S	SA00531WI Air Plains		
180C		IO-520 series (TCM)	P4014808-04	D3A34C401/90DFA-10	80.0	78.0	30		10.4		28.5	D-3867 D-3669	S S	SA00531WI Air Plains	89	
180C		O-550-F-TS (STC)	P4014808-07	D3A34C401/90DFA-2	88.0	87.0	30		8.8		28.5	D-3867-1 D-6594	P P	SA09400SC Texas Skyways	112	
180C		O-550-F-TS (STC)		D3A34C401/90DFA-10	80.0	76.0	30		10.0		28.5	D-6594	P	SA09132SC Texas Skyways		
180C		IO-550 series (TCM)	P4014808-09	D3A34C401/90DFA-2	88.0	86.0	30		10.0		28.5	D-3867 D-3669	S S	SA00531WI Air Plains	88	
180C		IO-550 series (TCM)	P4014808-12	D3A34C401/90DFA-4	86.0	84.0	30		10.0		28.0	D-3867 D-3669	S S	SA00531WI Air Plains	84	
180C		IO-550 series (TCM)	P4014808-13	D3A34C401/90DFA-6	84.0	82.0	30		10.0		28.0	D-3867 D-3669	S S	SA00531WI Air Plains	90	
180C		IO-550 series (TCM)	P4014808-14	D3A34C401/90DFA-8	82.0	80.0	30		10.4		28.5	D-3867 D-3669	S S	SA00531WI Air Plains		
180C		IO-550 series (TCM)	P4014808-04	D3A34C401/90DFA-10	80.0	78.0	30		10.4		28.5	D-3867 D-3669	S S	SA00531WI Air Plains	89	
180D		O-470-L (TCM)	OBSOLETE	2A36C1-U/90M-2	88.0	86.0	36		8.0		22.0			C290D3/T1 C290D2/T1		1
180D		O-470-L (TCM)	OBSOLETE	2A36C1-U/90M-8	82.0	80.0	36		10.5		22.0			C290D3/T1 C290D2/T1		1

Constant Speed Propeller Applications

Aircraft		Engine		Model	Diameter		Ref		Blade Angles			Spinner		Governors	STC Number STC Holder STC Kit P/N	Notes
Model	TYPE	Model (Make)	Part Number		Max	Min	Sta	Rev	Low or Flight Idle	Latch or Start Locks	High or Feather	Assembly P/N	Type			
180D		O-470-L (TCM)	OBSOLETE	2A36C18/90M-2	88.0	86.0	36		8.0		22.0			C290D3/T1 C290D2/T1		1
180D		O-470-L (TCM)	OBSOLETE	2A36C18/90M-8	82.0	80.0	36		10.5		22.0			C290D3/T1 C290D2/T1		1
180D		O-470-L (TCM)	OBSOLETE	2A36C29/90M-2	88.0	86.0	36		8.0		22.0			C290D3/T1 C290D2/T1		1
180D		O-470-L (TCM)	OBSOLETE	2A36C29/90M-8	82.0	80.0	36		10.5		22.0			C290D3/T1 C290D2/T1		1
180D		O-470-L (TCM)	OBSOLETE	2A34C50/90A-2	88.0	86.0	36		10.5		22.0			C290D3/T1 C290D2/T1		1
180D		O-470-L (TCM)	OBSOLETE	2A34C50/90A-8	82.0	80.0	36		10.5		22.0			C290D3/T1 C290D2/T1		1
180D		O-470-L (TCM)	OBSOLETE	2A34C66/90AT-2	88.0	86.0	36		8.0		22.0			C290D3/T1 C290D2/T1		1
180D		O-470-L (TCM)	OBSOLETE	2A34C66/90AT-8	82.0	80.0	36		10.5		22.0			C290D3/T1 C290D2/T1		1
180D	AFL	O-470-L (TCM)	P2017294-52	2A34C201/90DA-2	88.0	86.5	30		10.5		24.5			C290D3/T1 C290D2/T1	SA2229CE Northwest	
180D	L	O-470-L (TCM)	P2017294-51	2A34C201/90DA-8	82.0	80.0	30		13.0		24.5			C290D3/T1 C290D2/T1	SA2229CE Northwest	
180D	AFLS	O-470-L (TCM)	P2033909-52	2A34C203/90DCA-2	88.0	86.5	30		10.0		24.5			C290D3/T1 C290D2/T1		25
180D	AF	O-470-L (TCM)	P2033909-57	2A34C203/90DCA-2	88.0	86.5	30		10.0		24.5	D-7519-1	P	C290D3/T1 C290D2/T1	SA01033CH McCauley PL60289 PL60292	
180D	AFL	O-470-L (TCM)	P2033909-52 P2033909-57	2A34C203/90DCA-2	88.0	86.5	30		10.0		24.5			C290D3/T1 C290D2/T1	SA2229CE Northwest	
180D	AF	O-470-L (TCM)	P2033909-52 P2033909-57	2A34C203/90DCA-2	88.0	86.5	30		10.0		24.5			C290D3/T1 C290D2/T1	SA3237NM American	
180D		O-470-L (TCM)	P2033909-51	2A34C203/90DCA-8	82.0	80.5	30		12.5		25.0			C290D3/T1 C290D2/T1		24
180D		O-470-L (TCM)	P2033909-56	2A34C203/90DCA-8	82.0	80.5	30		12.5		25.0	D-7519-1	P	C290D3/T1 C290D2/T1	SA01033CH McCauley PL60287 PL60291	
180D	L	O-470-L (TCM)		2A34C203/90DCA-8	82.0	80.5	30		12.5		24.0			C290D3/T1 C290D2/T1	SA2229CE Northwest	
180D	L	O-470-L (TCM)	P2033909-51 P2033909-56	2A34C203/90DCA-8	82.0	80.5	30		12.5		25.0			C290D3/T1 C290D2/T1	SA3237NM American	
180D	AFL	O-470-L (TCM)		C2A34C204/90DCB-2	88.0	86.5	30		10.5		24.5			C290D3/T1 C290D2/T1	SA2229CE Northwest	
180D	L	O-470-L (TCM)		C2A34C204/90DCB-8	82.0	80.5	30		13.0		24.5			C290D3/T1 C290D2/T1	SA2229CE Northwest	
180D		O-470-L (TCM)	P4114808-02	D3A32C411/82NDA-2	80.0	78.0	30		11.0		25.6	D-6594	P	C290D3/T1 C290D2/T1	SA2BO US Propeller of Connecticut	

Constant Speed Propeller Applications

Aircraft		Engine		Part Number	Model	Diameter		Ref		Blade Angles			Spinner		Governors	STC Number STC Holder STC Kit P/N	Notes
Model	T Y P E	Model (Make)	Model (Make)			Max	Min	Sta	Rev	Low or Flight Idle	Latch or Start Locks	High or Feather	Assembly P/N	T y p e			
180D		O-470-L (TCM)	P4357483-01	D3A36C435/80VEA-0	80.0	78.0	30		10.8		33.9	D-7510-1	P	C290D3/T1 C290D2/T1	SA00819CH McCauley PL60228 PL60239		
180D		O-470-R (TCM)	OBSOLETE	2A36C1-U/90M-2	88.0	86.0	36		8.0		22.0			C290D3/T1 C290D2/T1		1	
180D		O-470-R (TCM)	OBSOLETE	2A36C1-U/90M-8	82.0	80.0	36		10.5		22.0			C290D3/T1 C290D2/T1		1	
180D		O-470-R (TCM)	OBSOLETE	2A36C18/90M-2	88.0	86.0	36		8.0		22.0			C290D3/T1 C290D2/T1		1	
180D		O-470-R (TCM)	OBSOLETE	2A36C18/90M-8	82.0	80.0	36		10.5		22.0			C290D3/T1 C290D2/T1		1	
180D		O-470-R (TCM)	OBSOLETE	2A36C29/90M-2	88.0	86.0	36		8.0		22.0			C290D3/T1 C290D2/T1		1	
180D		O-470-R (TCM)	OBSOLETE	2A36C29/90M-8	82.0	80.0	36		10.5		22.0			C290D3/T1 C290D2/T1		1	
180D		O-470-R (TCM)	OBSOLETE	2A34C50/90A-2	88.0	86.0	36		10.5		22.0			C290D3/T1 C290D2/T1		1	
180D		O-470-R (TCM)	OBSOLETE	2A34C50/90A-8	82.0	80.0	36		10.5		22.0			C290D3/T1 C290D2/T1		1	
180D		O-470-R (TCM)	OBSOLETE	2A34C66/90AT-2	88.0	86.0	36		8.0		22.0			C290D3/T1 C290D2/T1		1	
180D		O-470-R (TCM)	OBSOLETE	2A34C66/90AT-8	82.0	80.0	36		10.5		22.0			C290D3/T1 C290D2/T1		1	
180D	A F L	O-470-R (TCM)	P2017294-52	2A34C201/90DA-2	88.0	86.5	30		10.5		24.5			C290D3/T1 C290D2/T1	SA2229CE Northwest		
180D	L	O-470-R (TCM)	P2017294-51	2A34C201/90DA-8	82.0	80.0	30		13.0		24.5			C290D3/T1 C290D2/T1	SA2229CE Northwest		
180D	A F L S	O-470-R (TCM)	P2033909-52	2A34C203/90DCA-2	88.0	86.5	30		10.0		24.5			C290D3/T1 C290D2/T1		25	
180D	A F	O-470-R (TCM)	P2033909-57	2A34C203/90DCA-2	88.0	86.5	30		10.0		24.5	D-7519-1	P	C290D3/T1 C290D2/T1	SA01033CH McCauley PL60289 PL60292		
180D	A F L	O-470-R (TCM)	P2033909-52 P2033909-57	2A34C203/90DCA-2	88.0	86.5	30		10.0		24.5			C290D3/T1 C290D2/T1	SA2229CE Northwest		
180D	A F	O-470-R (TCM)	P2033909-52 P2033909-57	2A34C203/90DCA-2	88.0	86.5	30		10.0		24.5			C290D3/T1 C290D2/T1	SA3237NM American		
180D		O-470-R (TCM)	P2033909-51	2A34C203/90DCA-8	82.0	80.5	30		12.5		25.0			C290D3/T1 C290D2/T1		24	
180D		O-470-R (TCM)	P2033909-56	2A34C203/90DCA-8	82.0	80.5	30		12.5		25.0	D-7519-1	P	C290D3/T1 C290D2/T1	SA01033CH McCauley PL60287 PL60291		
180D	L	O-470-R (TCM)		2A34C203/90DCA-8	82.0	80.5	30		12.5		24.0			C290D3/T1 C290D2/T1	SA2229CE Northwest		
180D	L	O-470-R (TCM)	P2033909-51 P2033909-56	2A34C203/90DCA-8	82.0	80.5	30		12.5		25.0			C290D3/T1 C290D2/T1	SA3237NM American		

Constant Speed Propeller Applications

Aircraft		Engine		Part Number	Model	Diameter		Ref		Blade Angles			Spinner		Governors	STC Number STC Holder STC Kit P/N	Notes
Model	TYPE	Model (Make)	Model			Max	Min	Sta	Rev	Low or Flight Idle	Latch or Start Locks	High or Feather	Assembly P/N	Type			
180D	AF	O-470-R (TCM)			C2A34C204/90DCB-2	88.0	86.5	30		10.5		24.5			C290D3/T1 C290D2/T1	SA2229CE Northwest	
180D	L	O-470-R (TCM)			C2A34C204/90DCB-8	82.0	80.5	30		13.0		24.5			C290D3/T1 C290D2/T1	SA2229CE Northwest	
180D		O-470-R (TCM)	P4114808-02		D3A32C411/82NDA-2	80.0	78.0	30		11.0		25.6	D-6594	P	C290D3/T1 C290D2/T1	SA2BO US Propeller of Connecticut	
180D		O-470-R (TCM)	P4357483-01		D3A36C435/80VEA-0	80.0	78.0	30		10.8		33.9	D-7510-1	P	C290D3/T1 C290D2/T1	SA00819CH McCauley PL60228 PL60239	
180D		O-470-U-TS (STC)			C2A34C204/90DCB-8	82.0	80.5	30		10.4		29.4				SA8950SW Texas Skyways	
180D		O-470-50 (STC)			D3A34C401/90DFA-10	80.0	78.5	30		10.4		28.0	D-3669 D-3867	SS		SA00468WI P. Ponk	
180D		O-470-50 (STC)			D3A34C401/90DFA-8	82.0	80.5	30		10.4		28.0	D-3669 D-3867	SS		SA00468WI P. Ponk	
180D		O-470-50 (STC)			D3A34C401/90DFA-6	84.0	82.5	30		10.0		28.0	D-3669 D-3867	SS		SA00468WI P. Ponk	
180D		O-470-50 (STC)			D3A34C401/90DFA-4	86.0	84.5	30		10.0		28.0	D-3669 D-3867	SS		SA00468WI P. Ponk	
180D		O-470-50 (STC)			D3A34C401/90DFA-2	88.0	86.5	30		10.0		28.0	D-3669 D-3867	SS		SA00468WI P. Ponk	
180D		O-520-F-TS (STC)	P4014808-07		D3A34C401/90DFA-2	88.0	87.0	30		8.8		28.5	D-3867-1 D-6594	PP		SA09400SC Texas Skyways	112
180D		O-520-F-TS (STC)	P4014808-04		D3A34C401/90DFA-10	80.0	76.0	30		10.4		28.5	D-3867-1 D-6594	PP		SA09018SC Texas Skyways	
180D		O-520-LC-TS (STC)	P4014808-07		D3A34C401/90DFA-2	88.0	87.0	30		8.8		28.5	D-3867-1 D-6594	PP		SA09400SC Texas Skyways	112
180D		O-520-U-TS (STC)	P4014808-04		D3A34C401/90DFA-10	80.0	76.0	30		10.4		28.5	D-3867-1 D-6594	PP		SA09018SC Texas Skyways	
180D		IO-520 series (TCM)	P4014808-09		D3A34C401/90DFA-2	88.0	86.0	30		10.0		28.5	D-3867 D-3669	SS		SA00531WI Air Plains	88
180D		IO-520 series (TCM)	P4014808-12		D3A34C401/90DFA-4	86.0	84.0	30		10.0		28.0	D-3867 D-3669	SS		SA00531WI Air Plains	84
180D		IO-520 series (TCM)	P4014808-13		D3A34C401/90DFA-6	84.0	82.0	30		10.0		28.0	D-3867 D-3669	SS		SA00531WI Air Plains	
180D		IO-520 series (TCM)	P4014808-14		D3A34C401/90DFA-8	82.0	80.0	30		10.4		28.5	D-3867 D-3669	SS		SA00531WI Air Plains	
180D		IO-520 series (TCM)	P4014808-04		D3A34C401/90DFA-10	80.0	78.0	30		10.4		28.5	D-3867 D-3669	SS		SA00531WI Air Plains	89
180D		O-550-F-TS (STC)	P4014808-07		D3A34C401/90DFA-2	88.0	87.0	30		8.8		28.5	D-3867-1 D-6594	PP		SA09400SC Texas Skyways	112

Constant Speed Propeller Applications

Aircraft		Engine		Model	Diameter		Ref		Blade Angles			Spinner		Governors	STC Number STC Holder STC Kit P/N	Notes
Model	TYPE	Model (Make)	Part Number		Max	Min	Sta	Rev	Low or Flight Idle	Latch or Start Locks	High or Feather	Assembly P/N	Type			
180D		O-550-F-TS (STC)		D3A34C401/90DFA-10	80.0	76.0	30		10.0		28.5	D-6594	P		SA09132SC Texas Skyways	
180D		IO-550 series (TCM)	P4014808-09	D3A34C401/90DFA-2	88.0	86.0	30		10.0		28.5	D-3867 D-3669	SS		SA00531WI Air Plains	88
180D		IO-550 series (TCM)	P4014808-12	D3A34C401/90DFA-4	86.0	84.0	30		10.0		28.0	D-3867 D-3669	SS		SA00531WI Air Plains	84
180D		IO-550 series (TCM)	P4014808-13	D3A34C401/90DFA-6	84.0	82.0	30		10.0		28.0	D-3867 D-3669	SS		SA00531WI Air Plains	90
180D		IO-550 series (TCM)	P4014808-14	D3A34C401/90DFA-8	82.0	80.0	30		10.4		28.5	D-3867 D-3669	SS		SA00531WI Air Plains	
180D		IO-550 series (TCM)	P4014808-04	D3A34C401/90DFA-10	80.0	78.0	30		10.4		28.5	D-3867 D-3669	SS		SA00531WI Air Plains	89
180E		O-470-L (TCM)	OBSOLETE	2A36C1-U/90M-8	82.0	80.0	36		10.5		22.0			C290D3/T1 C290D2/T1		1
180E		O-470-L (TCM)	OBSOLETE	2A36C18/90M-2	88.0	86.0	36		8.0		22.0			C290D3/T1 C290D2/T1		1
180E		O-470-L (TCM)	OBSOLETE	2A36C18/90M-8	82.0	80.0	36		10.5		22.0			C290D3/T1 C290D2/T1		1
180E		O-470-L (TCM)	OBSOLETE	2A36C29/90M-2	88.0	86.0	36		8.0		22.0			C290D3/T1 C290D2/T1		1
180E		O-470-L (TCM)	OBSOLETE	2A36C29/90M-8	82.0	80.0	36		10.5		22.0			C290D3/T1 C290D2/T1		1
180E		O-470-L (TCM)	OBSOLETE	2A34C50/90A-2	88.0	86.0	36		10.5		22.0			C290D3/T1 C290D2/T1		1
180E		O-470-L (TCM)	OBSOLETE	2A34C50/90A-8	82.0	80.0	36		10.5		22.0			C290D3/T1 C290D2/T1		1
180E		O-470-L (TCM)	OBSOLETE	2A34C66/90AT-2	88.0	86.0	36		8.0		22.0			C290D3/T1 C290D2/T1		1
180E		O-470-L (TCM)	OBSOLETE	2A34C66/90AT-8	82.0	80.0	36		10.5		22.0			C290D3/T1 C290D2/T1		1
180E	AFL	O-470-L (TCM)	P2017294-52	2A34C201/90DA-2	88.0	86.5	30		10.5		24.5			C290D3/T1 C290D2/T1	SA2229CE Northwest	
180E	L	O-470-L (TCM)	P2017294-51	2A34C201/90DA-8	82.0	80.0	30		13.0		24.5			C290D3/T1 C290D2/T1	SA2229CE Northwest	
180E	AFLS	O-470-L (TCM)	P2033909-52	2A34C203/90DCA-2	88.0	86.5	30		10.0		24.5			C290D3/T1 C290D2/T1		25
180E	AF	O-470-L (TCM)	P2033909-57	2A34C203/90DCA-2	88.0	86.5	30		10.0		24.5	D-7519-1	P	C290D3/T1 C290D2/T1	SA01033CH McCauley PL60289 PL60292	
180E	AFL	O-470-L (TCM)	P2033909-52 P2033909-57	2A34C203/90DCA-2	88.0	86.5	30		10.0		24.5			C290D3/T1 C290D2/T1	SA2229CE Northwest	
180E	AF	O-470-L (TCM)	P2033909-52 P2033909-57	2A34C203/90DCA-2	88.0	86.5	30		10.0		24.5			C290D3/T1 C290D2/T1	SA3237NM American	
180E		O-470-L (TCM)	P2033909-51	2A34C203/90DCA-8	82.0	80.5	30		12.5		25.0			C290D3/T1 C290D2/T1		24

Constant Speed Propeller Applications

Aircraft		Engine		Part Number	Model	Diameter		Ref		Blade Angles			Spinner		Governors	STC Number STC Holder STC Kit P/N	Notes
Model	T Y P E	Model (Make)				Max	Min	Sta	Rev	Low or Flight Idle	Latch or Start Locks	High or Feather	Assembly P/N	T y p e			
180E		O-470-L (TCM)	P2033909-56	2A34C203/90DCA-8	82.0	80.5	30		12.5		25.0	D-7519-1	P	C290D3/T1 C290D2/T1	SA01033CH McCauley PL60287 PL60291		
180E	L	O-470-L (TCM)		2A34C203/90DCA-8	82.0	80.5	30		12.5		24.0			C290D3/T1 C290D2/T1	SA2229CE Northwest		
180E	L	O-470-L (TCM)	P2033909-51 P2033909-56	2A34C203/90DCA-8	82.0	80.5	30		12.5		25.0			C290D3/T1 C290D2/T1	SA3237NM American		
180E	A F L	O-470-L (TCM)		C2A34C204/90DCB-2	88.0	86.5	30		10.5		24.5			C290D3/T1 C290D2/T1	SA2229CE Northwest		
180E	L	O-470-L (TCM)		C2A34C204/90DCB-8	82.0	80.5	30		13.0		24.5			C290D3/T1 C290D2/T1	SA2229CE Northwest		
180E		O-470-L (TCM)	P4114808-02	D3A32C411/82NDA-2	80.0	78.0	30		11.0		25.6	D-6594	P	C290D3/T1 C290D2/T1	SA2BO US Propeller of Connecticut		
180E		O-470-L (TCM)	P4357483-01	D3A36C435/80VEA-0	80.0	78.0	30		10.8		33.9	D-7510-1	P	C290D3/T1 C290D2/T1	SA00819CH McCauley PL60228 PL60239		
180E		O-470-R (TCM)	OBSOLETE	2A36C1-U/90M-2	88.0	86.0	36		8.0		22.0			C290D3/T1 C290D2/T1		1	
180E		O-470-R (TCM)	OBSOLETE	2A36C1-U/90M-8	82.0	80.0	36		10.5		22.0			C290D3/T1 C290D2/T1		1	
180E		O-470-R (TCM)	OBSOLETE	2A36C18/90M-2	88.0	86.0	36		8.0		22.0			C290D3/T1 C290D2/T1		1	
180E		O-470-R (TCM)	OBSOLETE	2A36C18/90M-8	82.0	80.0	36		10.5		22.0			C290D3/T1 C290D2/T1		1	
180E		O-470-R (TCM)	OBSOLETE	2A36C29/90M-2	88.0	86.0	36		8.0		22.0			C290D3/T1 C290D2/T1		1	
180E		O-470-R (TCM)	OBSOLETE	2A36C29/90M-8	82.0	80.0	36		10.5		22.0			C290D3/T1 C290D2/T1		1	
180E		O-470-R (TCM)	OBSOLETE	2A34C50/90A-2	88.0	86.0	36		10.5		22.0			C290D3/T1 C290D2/T1		1	
180E		O-470-R (TCM)	OBSOLETE	2A34C50/90A-8	82.0	80.0	36		10.5		22.0			C290D3/T1 C290D2/T1		1	
180E		O-470-R (TCM)	OBSOLETE	2A34C66/90AT-2	88.0	86.0	36		8.0		22.0			C290D3/T1 C290D2/T1		1	
180E		O-470-R (TCM)	OBSOLETE	2A34C66/90AT-8	82.0	80.0	36		10.5		22.0			C290D3/T1 C290D2/T1		1	
180E	A F L	O-470-R (TCM)	P2017294-52	2A34C201/90DA-2	88.0	86.5	30		10.5		24.5			C290D3/T1 C290D2/T1	SA2229CE Northwest		
180E	L	O-470-R (TCM)	P2017294-51	2A34C201/90DA-8	82.0	80.0	30		13.0		24.5			C290D3/T1 C290D2/T1	SA2229CE Northwest		
180E	A F L S	O-470-R (TCM)	P2033909-52	2A34C203/90DCA-2	88.0	86.5	30		10.0		24.5			C290D3/T1 C290D2/T1		25	

Constant Speed Propeller Applications

Aircraft		Engine		Model	Diameter		Ref		Blade Angles			Spinner		Governors	STC Number STC Holder STC Kit P/N	Notes
Model	T Y P E	Model (Make)	Part Number		Max	Min	Sta	Rev	Low or Flight Idle	Latch or Start Locks	High or Feather	Assembly P/N	T y p e			
180E	A F	O-470-R (TCM)	P2033909-57	2A34C203/90DCA-2	88.0	86.5	30		10.0		24.5	D-7519-1	P	C290D3/T1 C290D2/T1	SA01033CH McCauley PL60289 PL60292	
180E	A F L	O-470-R (TCM)	P2033909-52 P2033909-57	2A34C203/90DCA-2	88.0	86.5	30		10.0		24.5			C290D3/T1 C290D2/T1	SA2229CE Northwest	
180E	A F	O-470-R (TCM)	P2033909-52 P2033909-57	2A34C203/90DCA-2	88.0	86.5	30		10.0		24.5			C290D3/T1 C290D2/T1	SA3237NM American	
180E		O-470-R (TCM)	P2033909-51	2A34C203/90DCA-8	82.0	80.5	30		12.5		25.0			C290D3/T1 C290D2/T1		24
180E		O-470-R (TCM)	P2033909-56	2A34C203/90DCA-8	82.0	80.5	30		12.5		25.0	D-7519-1	P	C290D3/T1 C290D2/T1	SA01033CH McCauley PL60287 PL60291	
180E	L	O-470-R (TCM)		2A34C203/90DCA-8	82.0	80.5	30		12.5		24.0			C290D3/T1 C290D2/T1	SA2229CE Northwest	
180E	L	O-470-R (TCM)	P2033909-51 P2033909-56	2A34C203/90DCA-8	82.0	80.5	30		12.5		25.0			C290D3/T1 C290D2/T1	SA3237NM American	
180E	A F L	O-470-R (TCM)		C2A34C204/90DCB-2	88.0	86.5	30		10.5		24.5			C290D3/T1 C290D2/T1	SA2229CE Northwest	
180E	L	O-470-R (TCM)		C2A34C204/90DCB-8	82.0	80.5	30		13.0		24.5			C290D3/T1 C290D2/T1	SA2229CE Northwest	
180E		O-470-R (TCM)	P4114808-02	D3A32C411/82NDA-2	80.0	78.0	30		11.0		25.6	D-6594	P	C290D3/T1 C290D2/T1	SA2BO US Propeller of Connecticut	
180E		O-470-R (TCM)	P4357483-01	D3A36C435/80VEA-0	80.0	78.0	30		10.8		33.9	D-7510-1	P	C290D3/T1 C290D2/T1	SA00819CH McCauley PL60228 PL60239	
180E		O-470-U-TS (STC)		C2A34C204/90DCB-8	82.0	80.5	30		10.4		29.4				SA8950SW Texas Skyways	
180E		O-470-50 (STC)		D3A34C401/90DFA-10	80.0	78.5	30		10.4		28.0	D-3669 D-3867	S S		SA00468WI P. Ponk	
180E		O-470-50 (STC)		D3A34C401/90DFA-8	82.0	80.5	30		10.4		28.0	D-3669 D-3867	S S		SA00468WI P. Ponk	
180E		O-470-50 (STC)		D3A34C401/90DFA-6	84.0	82.5	30		10.0		28.0	D-3669 D-3867	S S		SA00468WI P. Ponk	
180E		O-470-50 (STC)		D3A34C401/90DFA-4	86.0	84.5	30		10.0		28.0	D-3669 D-3867	S S		SA00468WI P. Ponk	
180E		O-470-50 (STC)		D3A34C401/90DFA-2	88.0	86.5	30		10.0		28.0	D-3669 D-3867	S S		SA00468WI P. Ponk	
180E		O-520-F-TS (STC)	P4014808-07	D3A34C401/90DFA-2	88.0	87.0	30		8.8		28.5	D-3867-1 D-6594	P P		SA09400SC Texas Skyways	112
180E		O-520-F-TS (STC)	P4014808-04	D3A34C401/90DFA-10	80.0	76.0	30		10.4		28.5	D-3867-1 D-6594	P P		SA09018SC Texas Skyways	

Constant Speed Propeller Applications

Aircraft		Engine		Model	Diameter		Ref		Blade Angles			Spinner		Governors	STC Number STC Holder STC Kit P/N	Notes
Model	TYPE	Model (Make)	Part Number		Max	Min	Sta	Rev	Low or Flight Idle	Latch or Start Locks	High or Feather	Assembly P/N	Type			
180E		O-520-LC-TS (STC)	P4014808-07	D3A34C401/90DFA-2	88.0	87.0	30		8.8		28.5	D-3867-1 D-6594	P P		SA09400SC Texas Skyways	112
180E		O-520-U-TS (STC)	P4014808-04	D3A34C401/90DFA-10	80.0	76.0	30		10.4		28.5	D-3867-1 D-6594	P P		SA09018SC Texas Skyways	
180E		IO-520 series (TCM)	P4014808-09	D3A34C401/90DFA-2	88.0	86.0	30		10.0		28.5	D-3867 D-3669	S S		SA00531WI Air Plains	88
180E		IO-520 series (TCM)	P4014808-12	D3A34C401/90DFA-4	86.0	84.0	30		10.0		28.0	D-3867 D-3669	S S		SA00531WI Air Plains	84
180E		IO-520 series (TCM)	P4014808-13	D3A34C401/90DFA-6	84.0	82.0	30		10.0		28.0	D-3867 D-3669	S S		SA00531WI Air Plains	
180E		IO-520 series (TCM)	P4014808-14	D3A34C401/90DFA-8	82.0	80.0	30		10.4		28.5	D-3867 D-3669	S S		SA00531WI Air Plains	
180E		IO-520 series (TCM)	P4014808-04	D3A34C401/90DFA-10	80.0	78.0	30		10.4		28.5	D-3867 D-3669	S S		SA00531WI Air Plains	89
180E		O-550-F-TS (STC)	P4014808-07	D3A34C401/90DFA-2	88.0	87.0	30		8.8		28.5	D-3867-1 D-6594	P P		SA09400SC Texas Skyways	112
180E		O-550-F-TS (STC)		D3A34C401/90DFA-10	80.0	76.0	30		10.0		28.5	D-6594	P		SA09132SC Texas Skyways	
180E		IO-550 series (TCM)	P4014808-09	D3A34C401/90DFA-2	88.0	86.0	30		10.0		28.5	D-3867 D-3669	S S		SA00531WI Air Plains	88
180E		IO-550 series (TCM)	P4014808-12	D3A34C401/90DFA-4	86.0	84.0	30		10.0		28.0	D-3867 D-3669	S S		SA00531WI Air Plains	84
180E		IO-550 series (TCM)	P4014808-13	D3A34C401/90DFA-6	84.0	82.0	30		10.0		28.0	D-3867 D-3669	S S		SA00531WI Air Plains	90
180E		IO-550 series (TCM)	P4014808-14	D3A34C401/90DFA-8	82.0	80.0	30		10.4		28.5	D-3867 D-3669	S S		SA00531WI Air Plains	
180E		IO-550 series (TCM)	P4014808-04	D3A34C401/90DFA-10	80.0	78.0	30		10.4		28.5	D-3867 D-3669	S S		SA00531WI Air Plains	89
180F		O-470-L (TCM)	OBSOLETE	2A36C1-U/90M-8	82.0	80.0	36		10.5		22.0				C290D3/T1 C290D2/T1	1
180F		O-470-L (TCM)	OBSOLETE	2A36C18/90M-2	88.0	86.0	36		8.0		22.0				C290D3/T1 C290D2/T1	1
180F		O-470-L (TCM)	OBSOLETE	2A36C18/90M-8	82.0	80.0	36		10.5		22.0				C290D3/T1 C290D2/T1	1
180F		O-470-L (TCM)	OBSOLETE	2A36C29/90M-2	88.0	86.0	36		8.0		22.0				C290D3/T1 C290D2/T1	1
180F		O-470-L (TCM)	OBSOLETE	2A36C29/90M-8	82.0	80.0	36		10.5		22.0				C290D3/T1 C290D2/T1	1
180F		O-470-L (TCM)	OBSOLETE	2A34C50/90A-2	88.0	86.0	36		10.5		22.0				C290D3/T1 C290D2/T1	1
180F		O-470-L (TCM)	OBSOLETE	2A34C50/90A-8	82.0	80.0	36		10.5		22.0				C290D3/T1 C290D2/T1	1
180F		O-470-L (TCM)	OBSOLETE	2A34C66/90AT-2	88.0	86.0	36		8.0		22.0				C290D3/T1 C290D2/T1	1
180F		O-470-L (TCM)	OBSOLETE	2A34C66/90AT-8	82.0	80.0	36		10.5		22.0				C290D3/T1 C290D2/T1	1

Constant Speed Propeller Applications

Aircraft		Engine			Diameter		Ref		Blade Angles			Spinner		Governors	STC Number STC Holder STC Kit P/N	Notes
Model	T Y P E	Model (Make)	Part Number	Model	Max	Min	Sta	Rev	Low or Flight Idle	Latch or Start Locks	High or Feather	Assembly P/N	T y p e			
180F	A F L	O-470-L (TCM)	P2017294-52	2A34C201/90DA-2	88.0	86.5	30		10.5		24.5			C290D3/T1 C290D2/T1	SA2229CE Northwest	
180F	L	O-470-L (TCM)	P2017294-51	2A34C201/90DA-8	82.0	80.0	30		13.0		24.5			C290D3/T1 C290D2/T1	SA2229CE Northwest	
180F	A F L S	O-470-L (TCM)	P2033909-52	2A34C203/90DCA-2	88.0	86.5	30		10.0		24.5			C290D3/T1 C290D2/T1		25
180F	A F	O-470-L (TCM)	P2033909-57	2A34C203/90DCA-2	88.0	86.5	30		10.0		24.5	D-7519-1	P	C290D3/T1 C290D2/T1	SA01033CH McCaughey PL60289 PL60292	
180F	A F L	O-470-L (TCM)	P2033909-52 P2033909-57	2A34C203/90DCA-2	88.0	86.5	30		10.0		24.5			C290D3/T1 C290D2/T1	SA2229CE Northwest	
180F	A F	O-470-L (TCM)	P2033909-52 P2033909-57	2A34C203/90DCA-2	88.0	86.5	30		10.0		24.5			C290D3/T1 C290D2/T1	SA3237NM American	
180F		O-470-L (TCM)	P2033909-51	2A34C203/90DCA-8	82.0	80.5	30		12.5		25.0			C290D3/T1 C290D2/T1		24
180F		O-470-L (TCM)	P2033909-56	2A34C203/90DCA-8	82.0	80.5	30		12.5		25.0	D-7519-1	P	C290D3/T1 C290D2/T1	SA01033CH McCaughey PL60287 PL60291	
180F	L	O-470-L (TCM)		2A34C203/90DCA-8	82.0	80.5	30		12.5		24.0			C290D3/T1 C290D2/T1	SA2229CE Northwest	
180F	L	O-470-L (TCM)	P2033909-51 P2033909-56	2A34C203/90DCA-8	82.0	80.5	30		12.5		25.0			C290D3/T1 C290D2/T1	SA3237NM American	
180F	A F L	O-470-L (TCM)		C2A34C204/90DCB-2	88.0	86.5	30		10.5		24.5			C290D3/T1 C290D2/T1	SA2229CE Northwest	
180F	L	O-470-L (TCM)		C2A34C204/90DCB-8	82.0	80.5	30		13.0		24.5			C290D3/T1 C290D2/T1	SA2229CE Northwest	
180F		O-470-L (TCM)	P4114808-02	D3A32C411/82NDA-2	80.0	78.0	30		11.0		25.6	D-6594	P	C290D3/T1 C290D2/T1	SA2BO US Propeller of Connecticut	
180F		O-470-L (TCM)	P4357483-01	D3A36C435/80VEA-0	80.0	78.0	30		10.8		33.9	D-7510-1	P	C290D3/T1 C290D2/T1	SA00819CH McCaughey PL60228 PL60239	
180F		O-470-R (TCM)	OBSOLETE	2A36C1-U/90M-2	88.0	86.0	36		8.0		22.0			C290D3/T1 C290D2/T1		1
180F		O-470-R (TCM)	OBSOLETE	2A36C1-U/90M-8	82.0	80.0	36		10.5		22.0			C290D3/T1 C290D2/T1		1
180F		O-470-R (TCM)	OBSOLETE	2A36C18/90M-2	88.0	86.0	36		8.0		22.0			C290D3/T1 C290D2/T1		1
180F		O-470-R (TCM)	OBSOLETE	2A36C18/90M-8	82.0	80.0	36		10.5		22.0			C290D3/T1 C290D2/T1		1
180F		O-470-R (TCM)	OBSOLETE	2A36C29/90M-2	88.0	86.0	36		8.0		22.0			C290D3/T1 C290D2/T1		1
180F		O-470-R (TCM)	OBSOLETE	2A36C29/90M-8	82.0	80.0	36		10.5		22.0			C290D3/T1 C290D2/T1		1

Constant Speed Propeller Applications

Aircraft		Engine		Model	Diameter		Ref		Blade Angles			Spinner		Governors	STC Number STC Holder STC Kit P/N	Notes
Model	TYPE	Model (Make)	Part Number		Max	Min	Sta	Rev	Low or Flight Idle	Latch or Start Locks	High or Feather	Assembly P/N	Type			
180F		O-470-R (TCM)	OBSOLETE	2A34C50/90A-2	88.0	86.0	36		10.5		22.0			C290D3/T1 C290D2/T1		1
180F		O-470-R (TCM)	OBSOLETE	2A34C50/90A-8	82.0	80.0	36		10.5		22.0			C290D3/T1 C290D2/T1		1
180F		O-470-R (TCM)	OBSOLETE	2A34C66/90AT-2	88.0	86.0	36		8.0		22.0			C290D3/T1 C290D2/T1		1
180F		O-470-R (TCM)	OBSOLETE	2A34C66/90AT-8	82.0	80.0	36		10.5		22.0			C290D3/T1 C290D2/T1		1
180F	AFL	O-470-R (TCM)	P2017294-52	2A34C201/90DA-2	88.0	86.5	30		10.5		24.5			C290D3/T1 C290D2/T1	SA2229CE Northwest	
180F	L	O-470-R (TCM)	P2017294-51	2A34C201/90DA-8	82.0	80.0	30		13.0		24.5			C290D3/T1 C290D2/T1	SA2229CE Northwest	
180F	AFLS	O-470-R (TCM)	P2033909-52	2A34C203/90DCA-2	88.0	86.5	30		10.0		24.5			C290D3/T1 C290D2/T1		25
180F	AF	O-470-R (TCM)	P2033909-57	2A34C203/90DCA-2	88.0	86.5	30		10.0		24.5	D-7519-1	P	C290D3/T1 C290D2/T1	SA01033CH McCauley PL60289 PL60292	
180F	AFL	O-470-R (TCM)	P2033909-52 P2033909-57	2A34C203/90DCA-2	88.0	86.5	30		10.0		24.5			C290D3/T1 C290D2/T1	SA2229CE Northwest	
180F	AF	O-470-R (TCM)	P2033909-52 P2033909-57	2A34C203/90DCA-2	88.0	86.5	30		10.0		24.5			C290D3/T1 C290D2/T1	SA3237NM American	
180F		O-470-R (TCM)	P2033909-51	2A34C203/90DCA-8	82.0	80.5	30		12.5		25.0			C290D3/T1 C290D2/T1		24
180F		O-470-R (TCM)	P2033909-56	2A34C203/90DCA-8	82.0	80.5	30		12.5		25.0	D-7519-1	P	C290D3/T1 C290D2/T1	SA01033CH McCauley PL60287 PL60291	
180F	L	O-470-R (TCM)		2A34C203/90DCA-8	82.0	80.5	30		12.5		24.0			C290D3/T1 C290D2/T1	SA2229CE Northwest	
180F	L	O-470-R (TCM)	P2033909-51 P2033909-56	2A34C203/90DCA-8	82.0	80.5	30		12.5		25.0			C290D3/T1 C290D2/T1	SA3237NM American	
180F	AFL	O-470-R (TCM)		C2A34C204/90DCB-2	88.0	86.5	30		10.5		24.5			C290D3/T1 C290D2/T1	SA2229CE Northwest	
180F	L	O-470-R (TCM)		C2A34C204/90DCB-8	82.0	80.5	30		13.0		24.5			C290D3/T1 C290D2/T1	SA2229CE Northwest	
180F		O-470-R (TCM)	P4114808-02	D3A32C411/82NDA-2	80.0	78.0	30		11.0		25.6	D-6594	P	C290D3/T1 C290D2/T1	SA2BO US Propeller of Connecticut	
180F		O-470-R (TCM)	P4357483-01	D3A36C435/80VEA-0	80.0	78.0	30		10.8		33.9	D-7510-1	P	C290D3/T1 C290D2/T1	SA00819CH McCauley PL60228 PL60239	
180F		O-470-U-TS (STC)		C2A34C204/90DCB-8	82.0	80.5	30		10.4		29.4				SA8950SW Texas Skyways	

Constant Speed Propeller Applications

Aircraft		Engine		Part Number	Model	Diameter		Ref		Blade Angles			Spinner		Governors	STC Number STC Holder STC Kit P/N	Notes
Model	TYPE	Model (Make)	Model			Max	Min	Sta	Rev	Low or Flight Idle	Latch or Start Locks	High or Feather	Assembly P/N	Type			
180F		O-470-50 (STC)			D3A34C401/90DFA-10	80.0	78.5	30		10.4		28.0	D-3669 D-3867	S S		SA00468WI P. Ponk	
180F		O-470-50 (STC)			D3A34C401/90DFA-8	82.0	80.5	30		10.4		28.0	D-3669 D-3867	S S		SA00468WI P. Ponk	
180F		O-470-50 (STC)			D3A34C401/90DFA-6	84.0	82.5	30		10.0		28.0	D-3669 D-3867	S S		SA00468WI P. Ponk	
180F		O-470-50 (STC)			D3A34C401/90DFA-4	86.0	84.5	30		10.0		28.0	D-3669 D-3867	S S		SA00468WI P. Ponk	
180F		O-470-50 (STC)			D3A34C401/90DFA-2	88.0	86.5	30		10.0		28.0	D-3669 D-3867	S S		SA00468WI P. Ponk	
180F		O-520-F-TS (STC)	P4014808-07		D3A34C401/90DFA-2	88.0	87.0	30		8.8		28.5	D-3867-1 D-6594	P P		SA09400SC Texas Skyways	112
180F		O-520-F-TS (STC)	P4014808-04		D3A34C401/90DFA-10	80.0	76.0	30		10.4		28.5	D-3867-1 D-6594	P P		SA09018SC Texas Skyways	
180F		O-520-LC-TS (STC)	P4014808-07		D3A34C401/90DFA-2	88.0	87.0	30		8.8		28.5	D-3867-1 D-6594	P P		SA09400SC Texas Skyways	112
180F		O-520-U-TS (STC)	P4014808-04		D3A34C401/90DFA-10	80.0	76.0	30		10.4		28.5	D-3867-1 D-6594	P P		SA09018SC Texas Skyways	
180F		IO-520 series (TCM)	P4014808-09		D3A34C401/90DFA-2	88.0	86.0	30		10.0		28.5	D-3867 D-3669	S S		SA00531WI Air Plains	88
180F		IO-520 series (TCM)	P4014808-12		D3A34C401/90DFA-4	86.0	84.0	30		10.0		28.0	D-3867 D-3669	S S		SA00531WI Air Plains	84
180F		IO-520 series (TCM)	P4014808-13		D3A34C401/90DFA-6	84.0	82.0	30		10.0		28.0	D-3867 D-3669	S S		SA00531WI Air Plains	
180F		IO-520 series (TCM)	P4014808-14		D3A34C401/90DFA-8	82.0	80.0	30		10.4		28.5	D-3867 D-3669	S S		SA00531WI Air Plains	
180F		IO-520 series (TCM)	P4014808-04		D3A34C401/90DFA-10	80.0	78.0	30		10.4		28.5	D-3867 D-3669	S S		SA00531WI Air Plains	89
180F		O-550-F-TS (STC)	P4014808-07		D3A34C401/90DFA-2	88.0	87.0	30		8.8		28.5	D-3867-1 D-6594	P P		SA09400SC Texas Skyways	112
180F		O-550-F-TS (STC)			D3A34C401/90DFA-10	80.0	76.0	30		10.0		28.5	D-6594	P		SA09132SC Texas Skyways	
180F		IO-550 series (TCM)	P4014808-09		D3A34C401/90DFA-2	88.0	86.0	30		10.0		28.5	D-3867 D-3669	S S		SA00531WI Air Plains	88
180F		IO-550 series (TCM)	P4014808-12		D3A34C401/90DFA-4	86.0	84.0	30		10.0		28.0	D-3867 D-3669	S S		SA00531WI Air Plains	84
180F		IO-550 series (TCM)	P4014808-13		D3A34C401/90DFA-6	84.0	82.0	30		10.0		28.0	D-3867 D-3669	S S		SA00531WI Air Plains	90
180F		IO-550 series (TCM)	P4014808-14		D3A34C401/90DFA-8	82.0	80.0	30		10.4		28.5	D-3867 D-3669	S S		SA00531WI Air Plains	
180F		IO-550 series (TCM)	P4014808-04		D3A34C401/90DFA-10	80.0	78.0	30		10.4		28.5	D-3867 D-3669	S S		SA00531WI Air Plains	89
180G		O-470-L (TCM)	OBSOLETE		2A36C1-U/90M-8	82.0	80.0	36		10.5		22.0			C290D3/T1 C290D2/T1		1
180G		O-470-L (TCM)	OBSOLETE		2A36C18/90M-2	88.0	86.0	36		8.0		22.0			C290D3/T1 C290D2/T1		1

Constant Speed Propeller Applications

Aircraft		Engine		Model	Diameter		Ref		Blade Angles			Spinner		Governors	STC Number STC Holder STC Kit P/N	Notes
Model	T Y P E	Model (Make)	Part Number		Max	Min	Sta	Rev	Low or Flight Idle	Latch or Start Locks	High or Feather	Assembly P/N	T y p e			
180G		O-470-L (TCM)	OBSOLETE	2A36C18/90M-8	82.0	80.0	36		10.5		22.0			C290D3/T1 C290D2/T1		1
180G		O-470-L (TCM)	OBSOLETE	2A36C29/90M-2	88.0	86.0	36		8.0		22.0			C290D3/T1 C290D2/T1		1
180G		O-470-L (TCM)	OBSOLETE	2A36C29/90M-8	82.0	80.0	36		10.5		22.0			C290D3/T1 C290D2/T1		1
180G		O-470-L (TCM)	OBSOLETE	2A34C50/90A-2	88.0	86.0	36		10.5		22.0			C290D3/T1 C290D2/T1		1
180G		O-470-L (TCM)	OBSOLETE	2A34C50/90A-8	82.0	80.0	36		10.5		22.0			C290D3/T1 C290D2/T1		1
180G		O-470-L (TCM)	OBSOLETE	2A34C66/90AT-2	88.0	86.0	36		8.0		22.0			C290D3/T1 C290D2/T1		1
180G		O-470-L (TCM)	OBSOLETE	2A34C66/90AT-8	82.0	80.0	36		10.5		22.0			C290D3/T1 C290D2/T1		1
180G	A F L	O-470-L (TCM)	P2017294-52	2A34C201/90DA-2	88.0	86.5	30		10.5		24.5			C290D3/T1 C290D2/T1	SA2229CE Northwest	
180G	L	O-470-L (TCM)	P2017294-51	2A34C201/90DA-8	82.0	80.0	30		13.0		24.5			C290D3/T1 C290D2/T1	SA2229CE Northwest	
180G	A F L S	O-470-L (TCM)	P2033909-52	2A34C203/90DCA-2	88.0	86.5	30		10.0		24.5			C290D3/T1 C290D2/T1		25
180G	A F L	O-470-L (TCM)	P2033909-52 P2033909-57	2A34C203/90DCA-2	88.0	86.5	30		10.0		24.5			C290D3/T1 C290D2/T1	SA2229CE Northwest	
180G	A F	O-470-L (TCM)	P2033909-52 P2033909-57	2A34C203/90DCA-2	88.0	86.5	30		10.0		24.5			C290D3/T1 C290D2/T1	SA3237NM American	
180G		O-470-L (TCM)	P2033909-51	2A34C203/90DCA-8	82.0	80.5	30		12.5		25.0			C290D3/T1 C290D2/T1		24
180G	L	O-470-L (TCM)		2A34C203/90DCA-8	82.0	80.5	30		12.5		24.0			C290D3/T1 C290D2/T1	SA2229CE Northwest	
180G	L	O-470-L (TCM)	P2033909-51 P2033909-56	2A34C203/90DCA-8	82.0	80.5	30		12.5		25.0			C290D3/T1 C290D2/T1	SA3237NM American	
180G	A F L	O-470-L (TCM)		C2A34C204/90DCB-2	88.0	86.5	30		10.5		24.5			C290D3/T1 C290D2/T1	SA2229CE Northwest	
180G	L	O-470-L (TCM)		C2A34C204/90DCB-8	82.0	80.5	30		13.0		24.5			C290D3/T1 C290D2/T1	SA2229CE Northwest	
180G		O-470-L (TCM)	P4114808-02	D3A32C411/82NDA-2	80.0	78.0	30		11.0		25.6	D-6594	P	C290D3/T1 C290D2/T1	SA2BO US Propeller of Connecticut	
180G		O-470-L (TCM)	P4357483-01	D3A36C435/80VEA-0	80.0	78.0	30		10.8		33.9	D-7510-1	P	C290D3/T1 C290D2/T1	SA00819CH McCauley PL60228 PL60239	
180G		O-470-R (TCM)	OBSOLETE	2A36C1-U/90M-2	88.0	86.0	36		8.0		22.0			C290D3/T1 C290D2/T1		1
180G		O-470-R (TCM)	OBSOLETE	2A36C1-U/90M-8	82.0	80.0	36		10.5		22.0			C290D3/T1 C290D2/T1		1
180G		O-470-R (TCM)	OBSOLETE	2A36C18/90M-2	88.0	86.0	36		8.0		22.0			C290D3/T1 C290D2/T1		1

Constant Speed Propeller Applications

Aircraft		Engine		Model	Diameter		Ref		Blade Angles			Spinner		Governors	STC Number STC Holder STC Kit P/N	Notes
Model	T Y P E	Model (Make)	Part Number		Max	Min	Sta	Rev	Low or Flight Idle	Latch or Start Locks	High or Feather	Assembly P/N	T y p e			
180G		O-470-R (TCM)	OBSOLETE	2A36C18/90M-8	82.0	80.0	36		10.5		22.0			C290D3/T1 C290D2/T1		1
180G		O-470-R (TCM)	OBSOLETE	2A36C29/90M-2	88.0	86.0	36		8.0		22.0			C290D3/T1 C290D2/T1		1
180G		O-470-R (TCM)	OBSOLETE	2A36C29/90M-8	82.0	80.0	36		10.5		22.0			C290D3/T1 C290D2/T1		1
180G		O-470-R (TCM)	OBSOLETE	2A34C50/90A-2	88.0	86.0	36		10.5		22.0			C290D3/T1 C290D2/T1		1
180G		O-470-R (TCM)	OBSOLETE	2A34C50/90A-8	82.0	80.0	36		10.5		22.0			C290D3/T1 C290D2/T1		1
180G		O-470-R (TCM)	OBSOLETE	2A34C66/90AT-2	88.0	86.0	36		8.0		22.0			C290D3/T1 C290D2/T1		1
180G		O-470-R (TCM)	OBSOLETE	2A34C66/90AT-8	82.0	80.0	36		10.5		22.0			C290D3/T1 C290D2/T1		1
180G	A F L	O-470-R (TCM)	P2017294-52	2A34C201/90DA-2	88.0	86.5	30		10.5		24.5			C290D3/T1 C290D2/T1		
180G	A F L	O-470-R (TCM)	P2017294-52	2A34C201/90DA-2	88.0	86.5	30		10.5		24.5			C290D3/T1 C290D2/T1	SA2229CE Northwest	
180G		O-470-R (TCM)	P2017294-51	2A34C201/90DA-8	82.0	80.0	30		13.0		24.5			C290D3/T1 C290D2/T1		
180G	L	O-470-R (TCM)	P2017294-51	2A34C201/90DA-8	82.0	80.0	30		13.0		24.5			C290D3/T1 C290D2/T1	SA2229CE Northwest	
180G	A F L S	O-470-R (TCM)	P2033909-52	2A34C203/90DCA-2	88.0	86.5	30		10.0		24.5			C290D3/T1 C290D2/T1		25
180G	A F L	O-470-R (TCM)	P2033909-52 P2033909-57	2A34C203/90DCA-2	88.0	86.5	30		10.0		24.5			C290D3/T1 C290D2/T1	SA2229CE Northwest	
180G	A F	O-470-R (TCM)	P2033909-52 P2033909-57	2A34C203/90DCA-2	88.0	86.5	30		10.0		24.5			C290D3/T1 C290D2/T1	SA3237NM American	
180G		O-470-R (TCM)	P2033909-51	2A34C203/90DCA-8	82.0	80.5	30		12.5		25.0			C290D3/T1 C290D2/T1		24
180G	L	O-470-R (TCM)		2A34C203/90DCA-8	82.0	80.5	30		12.5		24.0			C290D3/T1 C290D2/T1	SA2229CE Northwest	
180G	L	O-470-R (TCM)	P2033909-51 P2033909-56	2A34C203/90DCA-8	82.0	80.5	30		12.5		25.0			C290D3/T1 C290D2/T1	SA3237NM American	
180G	A F L	O-470-R (TCM)		C2A34C204/90DCB-2	88.0	86.5	30		10.5		24.5			C290D3/T1 C290D2/T1	SA2229CE Northwest	
180G	L	O-470-R (TCM)		C2A34C204/90DCB-8	82.0	80.5	30		13.0		24.5			C290D3/T1 C290D2/T1	SA2229CE Northwest	
180G		O-470-R (TCM)	P4114808-02	D3A32C411/82NDA-2	80.0	78.0	30		11.0		25.6	D-6594	P	C290D3/T1 C290D2/T1	SA2BO US Propeller of Connecticut	
180G		O-470-R (TCM)	P4357483-01	D3A36C435/80VEA-0	80.0	78.0	30		10.8		33.9	D-7510-1	P	C290D3/T1 C290D2/T1	SA00819CH McCauley PL60228 PL60239	

Constant Speed Propeller Applications

Aircraft		Engine		Model	Diameter		Ref		Blade Angles			Spinner		Governors	STC Number STC Holder STC Kit P/N	Notes
Model	TYPE	Model (Make)	Part Number		Max	Min	Sta	Rev	Low or Flight Idle	Latch or Start Locks	High or Feather	Assembly P/N	Type			
180G		O-470-U-TS (STC)		C2A34C204/90DCB-8	82.0	80.5	30		10.4		29.4				SA8950SW Texas Skyways	
180G		O-470-50 (STC)		D3A34C401/90DFA-10	80.0	78.5	30		10.4		28.0	D-3669 D-3867	S S		SA00468WI P. Ponk	
180G		O-470-50 (STC)		D3A34C401/90DFA-8	82.0	80.5	30		10.4		28.0	D-3669 D-3867	S S		SA00468WI P. Ponk	
180G		O-470-50 (STC)		D3A34C401/90DFA-6	84.0	82.5	30		10.0		28.0	D-3669 D-3867	S S		SA00468WI P. Ponk	
180G		O-470-50 (STC)		D3A34C401/90DFA-4	86.0	84.5	30		10.0		28.0	D-3669 D-3867	S S		SA00468WI P. Ponk	
180G		O-470-50 (STC)		D3A34C401/90DFA-2	88.0	86.5	30		10.0		28.0	D-3669 D-3867	S S		SA00468WI P. Ponk	
180G		O-520-F-TS (STC)	P4014808-07	D3A34C401/90DFA-2	88.0	87.0	30		8.8		28.5	D-3867-1 D-6594	P P		SA09400SC Texas Skyways	112
180G		O-520-F-TS (STC)	P4014808-04	D3A34C401/90DFA-10	80.0	76.0	30		10.4		28.5	D-3867-1 D-6594	P P		SA09018SC Texas Skyways	
180G		O-520-LC-TS (STC)	P4014808-07	D3A34C401/90DFA-2	88.0	87.0	30		8.8		28.5	D-3867-1 D-6594	P P		SA09400SC Texas Skyways	112
180G		O-520-U-TS (STC)	P4014808-04	D3A34C401/90DFA-10	80.0	76.0	30		10.4		28.5	D-3867-1 D-6594	P P		SA09018SC Texas Skyways	
180G		O-520KAH-1 (STC)	P4034808-11	D3A34C403/80VA-0	80.0	78.5	30		10.6		25.6			C290D3/T5	SA2069NM Kenmore Air Harbor	
180G		O-520KAH-2 (STC)	P4034808-11	D3A34C403/80VA-0	80.0	78.5	30		10.6		25.6			C290D3/T5	SA2069NM Kenmore Air Harbor	
180G		IO-520 series (TCM)	P4014808-09	D3A34C401/90DFA-2	88.0	86.0	30		10.0		28.5	D-3867 D-3669	S S		SA00531WI Air Plains	88
180G		IO-520 series (TCM)	P4014808-12	D3A34C401/90DFA-4	86.0	84.0	30		10.0		28.0	D-3867 D-3669	S S		SA00531WI Air Plains	84
180G		IO-520 series (TCM)	P4014808-13	D3A34C401/90DFA-6	84.0	82.0	30		10.0		28.0	D-3867 D-3669	S S		SA00531WI Air Plains	
180G		IO-520 series (TCM)	P4014808-14	D3A34C401/90DFA-8	82.0	80.0	30		10.4		28.5	D-3867 D-3669	S S		SA00531WI Air Plains	
180G		IO-520 series (TCM)	P4014808-04	D3A34C401/90DFA-10	80.0	78.0	30		10.4		28.5	D-3867 D-3669	S S		SA00531WI Air Plains	89
180G		O-550-F-TS (STC)	P4014808-07	D3A34C401/90DFA-2	88.0	87.0	30		8.8		28.5	D-3867-1 D-6594	P P		SA09400SC Texas Skyways	112
180G		O-550-F-TS (STC)		D3A34C401/90DFA-10	80.0	76.0	30		10.0		28.5	D-6594	P		SA09132SC Texas Skyways	
180G		IO-550 series (TCM)	P4014808-09	D3A34C401/90DFA-2	88.0	86.0	30		10.0		28.5	D-3867 D-3669	S S		SA00531WI Air Plains	88
180G		IO-550 series (TCM)	P4014808-12	D3A34C401/90DFA-4	86.0	84.0	30		10.0		28.0	D-3867 D-3669	S S		SA00531WI Air Plains	84

Constant Speed Propeller Applications

Aircraft		Engine		Model	Diameter		Ref	Blade Angles				Spinner		Governors	STC Number STC Holder STC Kit P/N	Notes
Model	TYPE	Model (Make)	Part Number		Max	Min	Sta	Rev	Low or Flight Idle	Latch or Start Locks	High or Feather	Assembly P/N	Type			
180G		IO-550 series (TCM)	P4014808-13	D3A34C401/90DFA-6	84.0	82.0	30		10.0		28.0	D-3867 D-3669	SS		SA00531WI Air Plains	90
180G		IO-550 series (TCM)	P4014808-14	D3A34C401/90DFA-8	82.0	80.0	30		10.4		28.5	D-3867 D-3669	SS		SA00531WI Air Plains	
180G		IO-550 series (TCM)	P4014808-04	D3A34C401/90DFA-10	80.0	78.0	30		10.4		28.5	D-3867 D-3669	SS		SA00531WI Air Plains	89
180H "Skywagon"		O-470-L (TCM)	OBSOLETE	2A36C1-U/90M-8	82.0	80.0	36		10.5		22.0			C290D3/T1 C290D2/T1		1
180H "Skywagon"		O-470-L (TCM)	OBSOLETE	2A36C18/90M-8	82.0	80.0	36		10.5		22.0			C290D3/T1 C290D2/T1		1
180H "Skywagon"		O-470-L (TCM)	OBSOLETE	2A36C18/90M-2	88.0	86.0	36		8.0		22.0			C290D3/T1 C290D2/T1		1
180H "Skywagon"		O-470-L (TCM)	OBSOLETE	2A36C29/90M-2	88.0	86.0	36		8.0		22.0			C290D3/T1 C290D2/T1		1
180H "Skywagon"		O-470-L (TCM)	OBSOLETE	2A36C29/90M-8	82.0	80.0	36		10.5		22.0			C290D3/T1 C290D2/T1		1
180H "Skywagon"		O-470-L (TCM)	OBSOLETE	2A34C50/90A-2	88.0	86.0	36		10.5		22.0			C290D3/T1 C290D2/T1		1
180H "Skywagon"		O-470-L (TCM)	OBSOLETE	2A34C50/90A-8	82.0	80.0	36		10.5		22.0			C290D3/T1 C290D2/T1		1
180H "Skywagon"		O-470-L (TCM)	OBSOLETE	2A34C66/90AT-2	88.0	86.0	36		8.0		22.0			C290D3/T1 C290D2/T1		1
180H "Skywagon"		O-470-L (TCM)	OBSOLETE	2A34C66/90AT-8	82.0	80.0	36		10.5		22.0			C290D3/T1 C290D2/T1		1
180H "Skywagon"	AF	O-470-L (TCM)	P2017294-52	2A34C201/90DA-2	88.0	86.5	30		10.5		24.5			C290D3/T1 C290D2/T1	SA2229CE Northwest	
180H "Skywagon"	L	O-470-L (TCM)	P2017294-51	2A34C201/90DA-8	82.0	80.0	30		13.0		24.5			C290D3/T1 C290D2/T1	SA2229CE Northwest	
180H "Skywagon"	AF LS	O-470-L (TCM)	P2033909-52	2A34C203/90DCA-2	88.0	86.5	30		10.0		24.5			C290D3/T1 C290D2/T1		25
180H "Skywagon"	AF L	O-470-L (TCM)	P2033909-52 P2033909-57	2A34C203/90DCA-2	88.0	86.5	30		10.0		24.5			C290D3/T1 C290D2/T1	SA2229CE Northwest	
180H "Skywagon"	AF	O-470-L (TCM)	P2033909-52 P2033909-57	2A34C203/90DCA-2	88.0	86.5	30		10.0		24.5			C290D3/T1 C290D2/T1	SA3237NM American	
180H "Skywagon"		O-470-L (TCM)	P2033909-51	2A34C203/90DCA-8	82.0	80.5	30		12.5		25.0			C290D3/T1 C290D2/T1		24
180H "Skywagon"	L	O-470-L (TCM)		2A34C203/90DCA-8	82.0	80.5	30		12.5		24.0			C290D3/T1 C290D2/T1	SA2229CE Northwest	
180H "Skywagon"	L	O-470-L (TCM)	P2033909-51 P2033909-56	2A34C203/90DCA-8	82.0	80.5	30		12.5		25.0			C290D3/T1 C290D2/T1	SA3237NM American	
180H "Skywagon"	AF L	O-470-L (TCM)		C2A34C204/90DCB-2	88.0	86.5	30		10.5		24.5			C290D3/T1 C290D2/T1	SA2229CE Northwest	
180H "Skywagon"	L	O-470-L (TCM)		C2A34C204/90DCB-8	82.0	80.5	30		13.0		24.5			C290D3/T1 C290D2/T1	SA2229CE Northwest	
180H "Skywagon"		O-470-L (TCM)	P4114808-02	D3A32C411/82NDA-2	80.0	78.0	30		11.0		25.6	D-6594	P	C290D3/T1 C290D2/T1	SA2BO US Propeller of Connecticut	

Constant Speed Propeller Applications

Aircraft		Engine		Model	Diameter		Ref		Blade Angles			Spinner		Governors	STC Number STC Holder STC Kit P/N	Notes
Model	T Y P E	Model (Make)	Part Number		Max	Min	Sta	Rev	Low or Flight Idle	Latch or Start Locks	High or Feather	Assembly P/N	T y p e			
180H "Skywagon"		O-470-L (TCM)	P4357483-01	D3A36C435/80VEA-0	80.0	78.0	30		10.8		33.9	D-7510-1	P	C290D3/T1 C290D2/T1	SA00819CH McCauley PL60228 PL60239	
180H "Skywagon"		O-470-R (TCM)	OBSOLETE	2A36C1-U/90M-2	88.0	86.0	36		8.0		22.0			C290D3/T1 C290D2/T1		1
180H "Skywagon"		O-470-R (TCM)	OBSOLETE	2A36C1-U/90M-8	82.0	80.0	36		10.5		22.0			C290D3/T1 C290D2/T1		1
180H "Skywagon"		O-470-R (TCM)	OBSOLETE	2A36C18/90M-2	88.0	86.0	36		8.0		22.0			C290D3/T1 C290D2/T1		1
180H "Skywagon"		O-470-R (TCM)	OBSOLETE	2A36C18/90M-8	82.0	80.0	36		10.5		22.0			C290D3/T1 C290D2/T1		1
180H "Skywagon"		O-470-R (TCM)	OBSOLETE	2A36C29/90M-2	88.0	86.0	36		8.0		22.0			C290D3/T1 C290D2/T1		1
180H "Skywagon"		O-470-R (TCM)	OBSOLETE	2A36C29/90M-8	82.0	80.0	36		10.5		22.0			C290D3/T1 C290D2/T1		1
180H "Skywagon"		O-470-R (TCM)	OBSOLETE	2A34C50/90A-2	88.0	86.0	36		10.5		22.0			C290D3/T1 C290D2/T1		1
180H "Skywagon"		O-470-R (TCM)	OBSOLETE	2A34C50/90A-8	82.0	80.0	36		10.5		22.0			C290D3/T1 C290D2/T1		1
180H "Skywagon"		O-470-R (TCM)	OBSOLETE	2A34C66/90AT-2	88.0	86.0	36		8.0		22.0			C290D3/T1 C290D2/T1		1
180H "Skywagon"		O-470-R (TCM)	OBSOLETE	2A34C66/90AT-8	82.0	80.0	36		10.5		22.0			C290D3/T1 C290D2/T1		1
180H "Skywagon"		O-470-R (TCM)	P2017294-52	2A34C201/90DA-2	88.0	86.5	30		10.5		24.5			C290D3/T1 C290D2/T1		
180H "Skywagon"	A F L	O-470-R (TCM)	P2017294-52	2A34C201/90DA-2	88.0	86.5	30		10.5		24.5			C290D3/T1 C290D2/T1	SA2229CE Northwest	
180H "Skywagon"		O-470-R (TCM)	P2017294-51	2A34C201/90DA-8	82.0	80.0	30		13.0		24.5			C290D3/T1 C290D2/T1		
180H "Skywagon"	L	O-470-R (TCM)	P2017294-51	2A34C201/90DA-8	82.0	80.0	30		13.0		24.5			C290D3/T1 C290D2/T1	SA2229CE Northwest	
180H "Skywagon"	A F L S	O-470-R (TCM)	P2033909-52	2A34C203/90DCA-2	88.0	86.5	30		10.0		24.5			C290D3/T1 C290D2/T1		25
180H "Skywagon"	A F L	O-470-R (TCM)	P2033909-52 P2033909-57	2A34C203/90DCA-2	88.0	86.5	30		10.0		24.5			C290D3/T1 C290D2/T1	SA2229CE Northwest	
180H "Skywagon"	A F	O-470-R (TCM)	P2033909-52 P2033909-57	2A34C203/90DCA-2	88.0	86.5	30		10.0		24.5			C290D3/T1 C290D2/T1	SA3237NM American	
180H "Skywagon"		O-470-R (TCM)	P2033909-51	2A34C203/90DCA-8	82.0	80.5	30		12.5		25.0			C290D3/T1 C290D2/T1		24
180H "Skywagon"	L	O-470-R (TCM)		2A34C203/90DCA-8	82.0	80.5	30		12.5		24.0			C290D3/T1 C290D2/T1	SA2229CE Northwest	
180H "Skywagon"	L	O-470-R (TCM)	P2033909-51 P2033909-56	2A34C203/90DCA-8	82.0	80.5	30		12.5		25.0			C290D3/T1 C290D2/T1	SA3237NM American	
180H "Skywagon"	A F L	O-470-R (TCM)		C2A34C204/90DCB-2	88.0	86.5	30		10.5		24.5			C290D3/T1 C290D2/T1	SA2229CE Northwest	

Constant Speed Propeller Applications

Aircraft		Engine		Model	Diameter		Ref		Blade Angles			Spinner		Governors	STC Number STC Holder STC Kit P/N	Notes
Model	T Y P E	Model (Make)	Part Number		Max	Min	Sta	Rev	Low or Flight Idle	Latch or Start Locks	High or Feather	Assembly P/N	T y p e			
180H "Skywagon"	L	O-470-R (TCM)		C2A34C204/90DCB-8	82.0	80.5	30		13.0		24.5			C290D3/T1 C290D2/T1	SA2229CE Northwest	
180H "Skywagon"		O-470-R (TCM)	P4114808-02	D3A32C411/82NDA-2	80.0	78.0	30		11.0		25.6	D-6594	P	C290D3/T1 C290D2/T1	SA2BO US Propeller of Connecticut	
180H "Skywagon"		O-470-R (TCM)	P4357483-01	D3A36C435/80VEA-0	80.0	78.0	30		10.8		33.9	D-7510-1	P	C290D3/T1 C290D2/T1	SA00819CH McCaughey PL60228 PL60239	
180H "Skywagon"		O-470-U-TS (STC)		C2A34C204/90DCB-8	82.0	80.5	30		10.4		29.4				SA8950SW Texas Skyways	
180H "Skywagon"		O-470-50 (STC)		D3A34C401/90DFA-10	80.0	78.5	30		10.4		28.0	D-3669 D-3867	S S		SA00468WI P. Ponk	
180H "Skywagon"		O-470-50 (STC)		D3A34C401/90DFA-8	82.0	80.5	30		10.4		28.0	D-3669 D-3867	S S		SA00468WI P. Ponk	
180H "Skywagon"		O-470-50 (STC)		D3A34C401/90DFA-6	84.0	82.5	30		10.0		28.0	D-3669 D-3867	S S		SA00468WI P. Ponk	
180H "Skywagon"		O-470-50 (STC)		D3A34C401/90DFA-4	86.0	84.5	30		10.0		28.0	D-3669 D-3867	S S		SA00468WI P. Ponk	
180H "Skywagon"		O-470-50 (STC)		D3A34C401/90DFA-2	88.0	86.5	30		10.0		28.0	D-3669 D-3867	S S		SA00468WI P. Ponk	
180H "Skywagon"		O-520-F-TS (STC)	P4014808-07	D3A34C401/90DFA-2	88.0	87.0	30		8.8		28.5	D-3867-1 D-6594	P P		SA09400SC Texas Skyways	112
180H "Skywagon"		O-520-F-TS (STC)	P4014808-04	D3A34C401/90DFA-10	80.0	76.0	30		10.4		28.5	D-3867-1 D-6594	P P		SA09018SC Texas Skyways	
180H "Skywagon"		O-520-LC-TS (STC)	P4014808-07	D3A34C401/90DFA-2	88.0	87.0	30		8.8		28.5	D-3867-1 D-6594	P P		SA09400SC Texas Skyways	112
180H "Skywagon"		O-520-U-TS (STC)	P4014808-04	D3A34C401/90DFA-10	80.0	76.0	30		10.4		28.5	D-3867-1 D-6594	P P		SA09018SC Texas Skyways	
180H "Skywagon"		O-520KAH-1 (STC)	P4034808-11	D3A34C403/80VA-0	80.0	78.5	30		10.6		25.6			C290D3/T5	SA2069NM Kenmore Air Harbor	
180H "Skywagon"		O-520KAH-2 (STC)	P4034808-11	D3A34C403/80VA-0	80.0	78.5	30		10.6		25.6			C290D3/T5	SA2069NM Kenmore Air Harbor	
180H "Skywagon"		IO-520 series (TCM)	P4014808-09	D3A34C401/90DFA-2	88.0	86.0	30		10.0		28.5	D-3867 D-3669	S S		SA00531WI Air Plains	88
180H "Skywagon"		IO-520 series (TCM)	P4014808-12	D3A34C401/90DFA-4	86.0	84.0	30		10.0		28.0	D-3867 D-3669	S S		SA00531WI Air Plains	84
180H "Skywagon"		IO-520 series (TCM)	P4014808-13	D3A34C401/90DFA-6	84.0	82.0	30		10.0		28.0	D-3867 D-3669	S S		SA00531WI Air Plains	
180H "Skywagon"		IO-520 series (TCM)	P4014808-14	D3A34C401/90DFA-8	82.0	80.0	30		10.4		28.5	D-3867 D-3669	S S		SA00531WI Air Plains	
180H "Skywagon"		IO-520 series (TCM)	P4014808-04	D3A34C401/90DFA-10	80.0	78.0	30		10.4		28.5	D-3867 D-3669	S S		SA00531WI Air Plains	89

Constant Speed Propeller Applications

Aircraft		Engine		Model	Diameter		Ref		Blade Angles			Spinner		Governors	STC Number STC Holder STC Kit P/N	Notes
Model	TYPE	Model (Make)	Part Number		Max	Min	Sta	Rev	Low or Flight Idle	Latch or Start Locks	High or Feather	Assembly P/N	Type			
180H "Skywagon"		O-550-F-TS (STC)	P4014808-07	D3A34C401/90DFA-2	88.0	87.0	30		8.8		28.5	D-3867-1 D-6594	PP		SA09400SC Texas Skyways	112
180H "Skywagon"		O-550-F-TS (STC)		D3A34C401/90DFA-10	80.0	76.0	30		10.0		28.5	D-6594	P		SA09132SC Texas Skyways	
180H "Skywagon"		IO-550 series (TCM)	P4014808-09	D3A34C401/90DFA-2	88.0	86.0	30		10.0		28.5	D-3867 D-3669	SS		SA00531WI Air Plains	88
180H "Skywagon"		IO-550 series (TCM)	P4014808-12	D3A34C401/90DFA-4	86.0	84.0	30		10.0		28.0	D-3867 D-3669	SS		SA00531WI Air Plains	84
180H "Skywagon"		IO-550 series (TCM)	P4014808-13	D3A34C401/90DFA-6	84.0	82.0	30		10.0		28.0	D-3867 D-3669	SS		SA00531WI Air Plains	90
180H "Skywagon"		IO-550 series (TCM)	P4014808-14	D3A34C401/90DFA-8	82.0	80.0	30		10.4		28.5	D-3867 D-3669	SS		SA00531WI Air Plains	
180H "Skywagon"		IO-550 series (TCM)	P4014808-04	D3A34C401/90DFA-10	80.0	78.0	30		10.4		28.5	D-3867 D-3669	SS		SA00531WI Air Plains	89
180J "Skywagon"		O-470-R (TCM)	OBSOLETE	2A34C66/90AT-2	88.0	86.0	36		8.0		22.0			C290D3/T1 C290D2/T1		1
180J "Skywagon"		O-470-R (TCM)	OBSOLETE	2A34C66/90AT-8	82.0	80.0	36		10.5		22.0			C290D3/T1 C290D2/T1		1
180J "Skywagon"		O-470-R (TCM)	P2017294-52	2A34C201/90DA-2	88.0	86.5	30		10.5		24.5			C290D3/T1 C290D2/T1		
180J "Skywagon"	AF L	O-470-R (TCM)	P2017294-52	2A34C201/90DA-2	88.0	86.5	30		10.5		24.5			C290D3/T1 C290D2/T1	SA2229CE Northwest	
180J "Skywagon"		O-470-R (TCM)	P2017294-51	2A34C201/90DA-8	82.0	80.0	30		13.0		24.5			C290D3/T1 C290D2/T1		
180J "Skywagon"	L	O-470-R (TCM)	P2017294-51	2A34C201/90DA-8	82.0	80.0	30		13.0		24.5			C290D3/T1 C290D2/T1	SA2229CE Northwest	
180J "Skywagon"	AF L S	O-470-R (TCM)	P2033909-52	2A34C203/90DCA-2	88.0	86.5	30		10.0		24.5			C290D3/T1 C290D2/T1		
180J "Skywagon"	AF L	O-470-R (TCM)	P2033909-52 P2033909-57	2A34C203/90DCA-2	88.0	86.5	30		10.0		24.5			C290D3/T1 C290D2/T1	SA2229CE Northwest	
180J "Skywagon"		O-470-R (TCM)	P2033909-51	2A34C203/90DCA-8	82.0	80.5	30		12.5		25.0			C290D3/T1 C290D2/T1		
180J "Skywagon"	L	O-470-R (TCM)		2A34C203/90DCA-8	82.0	80.5	30		12.5		24.0			C290D3/T1 C290D2/T1	SA2229CE Northwest	
180J "Skywagon"	AF L	O-470-R (TCM)		C2A34C204/90DCB-2	88.0	86.5	30		10.5		24.5			C290D3/T1 C290D2/T1	SA2229CE Northwest	
180J "Skywagon"	L	O-470-R (TCM)		C2A34C204/90DCB-8	82.0	80.5	30		13.0		24.5			C290D3/T1 C290D2/T1	SA2229CE Northwest	
180J "Skywagon"		O-470-R (TCM)	P4114808-02	D3A32C411/82NDA-2	80.0	78.0	30		11.0		25.6	D-6594	P		SA2BO US Propeller of Connecticut	
180J "Skywagon"		O-470-S (TCM)	OBSOLETE	2A34C66/90AT-2	88.0	86.0	36		8.0		22.0			C290D3/T1 C290D2/T1		1
180J "Skywagon"		O-470-S (TCM)	OBSOLETE	2A34C66/90AT-8	82.0	80.0	36		10.5		22.0			C290D3/T1 C290D2/T1		1

Constant Speed Propeller Applications

Aircraft		Engine		Part Number	Model	Diameter		Ref		Blade Angles			Spinner		Governors	STC Number STC Holder STC Kit P/N	Notes
Model	T Y P E	Model (Make)				Max	Min	Sta	Rev	Low or Flight Idle	Latch or Start Locks	High or Feather	Assembly P/N	T y p e			
180J "Skywagon"		O-470-S (TCM)	P2017294-52	2A34C201/90DA-2	88.0	86.5	30		10.5		24.5			C290D3/T1 C290D2/T1			
180J "Skywagon"	A F L	O-470-S (TCM)	P2017294-52	2A34C201/90DA-2	88.0	86.5	30		10.5		24.5			C290D3/T1 C290D2/T1	SA2229CE Northwest		
180J "Skywagon"		O-470-S (TCM)	P2017294-51	2A34C201/90DA-8	82.0	80.0	30		13.0		24.5			C290D3/T1 C290D2/T1			
180J "Skywagon"	L	O-470-S (TCM)	P2017294-51	2A34C201/90DA-8	82.0	80.0	30		13.0		24.5			C290D3/T1 C290D2/T1	SA2229CE Northwest		
180J "Skywagon"	A F L S	O-470-S (TCM)	P2033909-52	2A34C203/90DCA-2	88.0	86.5	30		10.0		24.5			C290D3/T1 C290D2/T1			
180J "Skywagon"	A F L	O-470-S (TCM)	P2033909-52 P2033909-57	2A34C203/90DCA-2	88.0	86.5	30		10.0		24.5			C290D3/T1 C290D2/T1	SA2229CE Northwest		
180J "Skywagon"		O-470-S (TCM)	P2033909-51	2A34C203/90DCA-8	82.0	80.5	30		12.5		25.0			C290D3/T1 C290D2/T1			
180J "Skywagon"	L	O-470-S (TCM)		2A34C203/90DCA-8	82.0	80.5	30		12.5		24.0			C290D3/T1 C290D2/T1	SA2229CE Northwest		
180J "Skywagon"	A F L	O-470-S (TCM)		C2A34C204/90DCB-2	88.0	86.5	30		10.5		24.5			C290D3/T1 C290D2/T1	SA2229CE Northwest		
180J "Skywagon"	L	O-470-S (TCM)		C2A34C204/90DCB-8	82.0	80.5	30		13.0		24.5			C290D3/T1 C290D2/T1	SA2229CE Northwest		
180J "Skywagon"		O-470-S (TCM)	P4114808-02	D3A32C411/82NDA-2	80.0	78.0	30		11.0		25.6	D-6594	P	C290D3/T1 C290D2/T1	SA2BO US Propeller of Connecticut		
180J "Skywagon"		O-470-S (TCM)	P4357483-01	D3A36C435/80VEA-0	80.0	78.0	30		10.8		33.9	D-7510-1	P	C290D3/T1 C290D2/T1	SA00819CH McCauley PL60228 PL60239		
180J "Skywagon"		O-470-U-TS (STC)		C2A34C204/90DCB-8	82.0	80.5	30		10.4		29.4				SA8950SW Texas Skyways		
180J "Skywagon"		O-470-50 (STC)		D3A34C401/90DFA-10	80.0	78.5	30		10.4		28.0	D-3669 D-3867	S S		SA00468WI P. Ponk		
180J "Skywagon"		O-470-50 (STC)		D3A34C401/90DFA-8	82.0	80.5	30		10.4		28.0	D-3669 D-3867	S S		SA00468WI P. Ponk		
180J "Skywagon"		O-470-50 (STC)		D3A34C401/90DFA-6	84.0	82.5	30		10.0		28.0	D-3669 D-3867	S S		SA00468WI P. Ponk		
180J "Skywagon"		O-470-50 (STC)		D3A34C401/90DFA-4	86.0	84.5	30		10.0		28.0	D-3669 D-3867	S S		SA00468WI P. Ponk		
180J "Skywagon"		O-470-50 (STC)		D3A34C401/90DFA-2	88.0	86.5	30		10.0		28.0	D-3669 D-3867	S S		SA00468WI P. Ponk		
180J "Skywagon"		O-520-F-TS (STC)	P4014808-07	D3A34C401/90DFA-2	88.0	87.0	30		8.8		28.5	D-3867-1 D-6594	P P		SA09400SC Texas Skyways	112	
180J "Skywagon"		O-520-F-TS (STC)	P4014808-04	D3A34C401/90DFA-10	80.0	76.0	30		10.4		28.5	D-3867-1 D-6594	P P		SA09018SC Texas Skyways		

Constant Speed Propeller Applications

Aircraft		Engine		Model	Diameter		Ref		Blade Angles			Spinner		Governors	STC Number STC Holder STC Kit P/N	Notes
Model	TYPE	Model (Make)	Part Number		Max	Min	Sta	Rev	Low or Flight Idle	Latch or Start Locks	High or Feather	Assembly P/N	Type			
180J "Skywagon"		O-520-LC-TS (STC)	P4014808-07	D3A34C401/90DFA-2	88.0	87.0	30		8.8		28.5	D-3867-1 D-6594	P P		SA09400SC Texas Skyways	112
180J "Skywagon"		O-520-U-TS (STC)	P4014808-04	D3A34C401/90DFA-10	80.0	76.0	30		10.4		28.5	D-3867-1 D-6594	P P		SA09018SC Texas Skyways	
180J "Skywagon"		O-520KAH-1 (STC)	P4034808-11	D3A34C403/80VA-0	80.0	78.5	30		10.6		25.6			C290D3/T5	SA2069NM Kenmore Air Harbor	
180J "Skywagon"		O-520KAH-2 (STC)	P4034808-11	D3A34C403/80VA-0	80.0	78.5	30		10.6		25.6			C290D3/T5	SA2069NM Kenmore Air Harbor	
180J "Skywagon"		IO-520 series (TCM)	P4014808-09	D3A34C401/90DFA-2	88.0	86.0	30		10.0		28.5	D-3867 D-3669	S S		SA00531WI Air Plains	88
180J "Skywagon"		IO-520 series (TCM)	P4014808-12	D3A34C401/90DFA-4	86.0	84.0	30		10.0		28.0	D-3867 D-3669	S S		SA00531WI Air Plains	84
180J "Skywagon"		IO-520 series (TCM)	P4014808-13	D3A34C401/90DFA-6	84.0	82.0	30		10.0		28.0	D-3867 D-3669	S S		SA00531WI Air Plains	
180J "Skywagon"		IO-520 series (TCM)	P4014808-14	D3A34C401/90DFA-8	82.0	80.0	30		10.4		28.5	D-3867 D-3669	S S		SA00531WI Air Plains	
180J "Skywagon"		IO-520 series (TCM)	P4014808-04	D3A34C401/90DFA-10	80.0	78.0	30		10.4		28.5	D-3867 D-3669	S S		SA00531WI Air Plains	89
180J "Skywagon"		O-550-F-TS (STC)	P4014808-07	D3A34C401/90DFA-2	88.0	87.0	30		8.8		28.5	D-3867-1 D-6594	P P		SA09400SC Texas Skyways	112
180J "Skywagon"		O-550-F-TS (STC)		D3A34C401/90DFA-10	80.0	76.0	30		10.0		28.5	D-6594	P		SA09132SC Texas Skyways	
180J "Skywagon"		IO-550 series (TCM)	P4014808-09	D3A34C401/90DFA-2	88.0	86.0	30		10.0		28.5	D-3867 D-3669	S S		SA00531WI Air Plains	88
180J "Skywagon"		IO-550 series (TCM)	P4014808-12	D3A34C401/90DFA-4	86.0	84.0	30		10.0		28.0	D-3867 D-3669	S S		SA00531WI Air Plains	84
180J "Skywagon"		IO-550 series (TCM)	P4014808-13	D3A34C401/90DFA-6	84.0	82.0	30		10.0		28.0	D-3867 D-3669	S S		SA00531WI Air Plains	90
180J "Skywagon"		IO-550 series (TCM)	P4014808-14	D3A34C401/90DFA-8	82.0	80.0	30		10.4		28.5	D-3867 D-3669	S S		SA00531WI Air Plains	
180J "Skywagon"		IO-550 series (TCM)	P4014808-04	D3A34C401/90DFA-10	80.0	78.0	30		10.4		28.5	D-3867 D-3669	S S		SA00531WI Air Plains	89
180K "Skywagon"		O-470-U (TCM)	P2043909-51	C2A34C204/90DCB-0	90.0	88.5	30		12.9		26.0			C290D3/T14		
180K "Skywagon"		O-470-U (TCM)	P2043909-52	C2A34C204/90DCB-8	82.0	80.5	30		15.0		29.4			C290D3/T14		
180K "Skywagon"		O-470-U-TS (STC)		C2A34C204/90DCB-8	82.0	80.5	30		10.4		29.4				SA8950SW Texas Skyways	
180K "Skywagon"		O-470-50 (STC)		D3A34C401/90DFA-10	80.0	78.5	30		10.4		28.0	D-3669 D-3867	S S		SA00468WI P. Ponk	
180K "Skywagon"		O-470-50 (STC)		D3A34C401/90DFA-8	82.0	80.5	30		10.4		28.0	D-3669 D-3867	S S		SA00468WI P. Ponk	
180K "Skywagon"		O-470-50 (STC)		D3A34C401/90DFA-6	84.0	82.5	30		10.0		28.0	D-3669 D-3867	S S		SA00468WI P. Ponk	

Constant Speed Propeller Applications

Aircraft		Engine		Model	Diameter		Ref		Blade Angles			Spinner		Governors	STC Number STC Holder STC Kit P/N	Notes
Model	TYPE	Model (Make)	Part Number		Max	Min	Sta	Rev	Low or Flight Idle	Latch or Start Locks	High or Feather	Assembly P/N	Type			
180K "Skywagon"		O-470-50 (STC)		D3A34C401/90DFA-4	86.0	84.5	30		10.0		28.0	D-3669 D-3867	S S		SA00468WI P. Ponk	
180K "Skywagon"		O-470-50 (STC)		D3A34C401/90DFA-2	88.0	86.5	30		10.0		28.0	D-3669 D-3867	S S		SA00468WI P. Ponk	
180K "Skywagon"		O-520-F-TS (STC)	P4014808-07	D3A34C401/90DFA-2	88.0	87.0	30		8.8		28.5	D-3867-1 D-6594	P P		SA09400SC Texas Skyways	112
180K "Skywagon"		O-520-F-TS (STC)	P4014808-04	D3A34C401/90DFA-10	80.0	76.0	30		10.4		28.5	D-3867-1 D-6594	P P		SA09018SC Texas Skyways	
180K "Skywagon"		O-520-LC-TS (STC)	P4014808-07	D3A34C401/90DFA-2	88.0	87.0	30		8.8		28.5	D-3867-1 D-6594	P P		SA09400SC Texas Skyways	112
180K "Skywagon"		O-520-U-TS (STC)	P4014808-04	D3A34C401/90DFA-10	80.0	76.0	30		10.4		28.5	D-3867-1 D-6594	P P		SA09018SC Texas Skyways	
180K "Skywagon"		O-520KAH-1 (STC)	P4034808-11	D3A34C403/80VA-0	80.0	78.5	30		10.6		25.6			C290D3/T5	SA2069NM Kenmore Air Harbor	
180K "Skywagon"		O-520KAH-2 (STC)	P4034808-11	D3A34C403/80VA-0	80.0	78.5	30		10.6		25.6			C290D3/T5	SA2069NM Kenmore Air Harbor	
180K "Skywagon"		IO-520 series (TCM)	P4014808-09	D3A34C401/90DFA-2	88.0	86.0	30		10.0		28.5	D-3867 D-3669	S S		SA00531WI Air Plains	88
180K "Skywagon"		IO-520 series (TCM)	P4014808-12	D3A34C401/90DFA-4	86.0	84.0	30		10.0		28.0	D-3867 D-3669	S S		SA00531WI Air Plains	84
180K "Skywagon"		IO-520 series (TCM)	P4014808-13	D3A34C401/90DFA-6	84.0	82.0	30		10.0		28.0	D-3867 D-3669	S S		SA00531WI Air Plains	
180K "Skywagon"		IO-520 series (TCM)	P4014808-14	D3A34C401/90DFA-8	82.0	80.0	30		10.4		28.5	D-3867 D-3669	S S		SA00531WI Air Plains	
180K "Skywagon"		IO-520 series (TCM)	P4014808-04	D3A34C401/90DFA-10	80.0	78.0	30		10.4		28.5	D-3867 D-3669	S S		SA00531WI Air Plains	89
180K "Skywagon"		O-550-F-TS (STC)	P4014808-07	D3A34C401/90DFA-2	88.0	87.0	30		8.8		28.5	D-3867-1 D-6594	P P		SA09400SC Texas Skyways	112
180K "Skywagon"		O-550-F-TS (STC)		D3A34C401/90DFA-10	80.0	76.0	30		10.0		28.5	D-6594	P		SA09132SC Texas Skyways	
180K "Skywagon"		IO-550 series (TCM)	P4014808-09	D3A34C401/90DFA-2	88.0	86.0	30		10.0		28.5	D-3867 D-3669	S S		SA00531WI Air Plains	88
180K "Skywagon"		IO-550 series (TCM)	P4014808-12	D3A34C401/90DFA-4	86.0	84.0	30		10.0		28.0	D-3867 D-3669	S S		SA00531WI Air Plains	84
180K "Skywagon"		IO-550 series (TCM)	P4014808-13	D3A34C401/90DFA-6	84.0	82.0	30		10.0		28.0	D-3867 D-3669	S S		SA00531WI Air Plains	90
180K "Skywagon"		IO-550 series (TCM)	P4014808-14	D3A34C401/90DFA-8	82.0	80.0	30		10.4		28.5	D-3867 D-3669	S S		SA00531WI Air Plains	
180K "Skywagon"		IO-550 series (TCM)	P4014808-04	D3A34C401/90DFA-10	80.0	78.0	30		10.4		28.5	D-3867 D-3669	S S		SA00531WI Air Plains	89
182 "Skylane"	L	O-470-L (TCM)	OBSOLETE	2A36C1-U/90M-8	82.0	80.0	36		10.5		22.0			C290D3/T1 C290D2/T1		1
182 "Skylane"	L	O-470-L (TCM)	OBSOLETE	2A36C18/90M-8	82.0	80.0	36		10.5		22.0			C290D3/T1 C290D2/T1		1

Constant Speed Propeller Applications

Aircraft		Engine			Diameter		Ref		Blade Angles			Spinner		Governors	STC Number STC Holder STC Kit P/N	Notes
Model	T Y P E	Model (Make)	Part Number	Model	Max	Min	Sta	Rev	Low or Flight Idle	Latch or Start Locks	High or Feather	Assembly P/N	T y p e			
182 "Skylane"	L	O-470-L (TCM)	OBSOLETE	2A36C29/90M-8	82.0	80.0	36		10.5		22.0			C290D3/T1 C290D2/T1		1
182 "Skylane"	L	O-470-L (TCM)	OBSOLETE	2A34C50/90A-8	82.0	80.0	36		10.5		22.0			C290D3/T1 C290D2/T1		1
182 "Skylane"	L	O-470-L (TCM)	OBSOLETE	2A34C66/90AT-8	82.0	80.0	36		10.5		22.0			C290D3/T1 C290D2/T1		1
182 "Skylane"	L	O-470-L (TCM)	P2017294-51	2A34C201/90DA-8	82.0	80.0	30		13.0		24.5			C290D3/T1 C290D2/T1	SA2253CE Northwest	
182 "Skylane"	A F	O-470-L (TCM)	P2033909-57	2A34C203/90DCA-2	88.0	86.5	30		10.0		24.5	D-7519-1	P	C290D3/T1 C290D2/T1	SA01033CH McCauley PL60289 PL60292	
182 "Skylane"	L	O-470-L (TCM)	P2033909-51	2A34C203/90DCA-8	82.0	80.5	30		12.5		25.0			C290D3/T1 C290D2/T1		21
182 "Skylane"	L	O-470-L (TCM)	P2033909-56	2A34C203/90DCA-8	82.0	80.5	30		12.5		25.0	D-7519-1	P	C290D3/T1 C290D2/T1	SA01033CH McCauley PL60287 PL60291	
182 "Skylane"	L	O-470-L (TCM)	P2033909-51	2A34C203/90DCA-8	82.0	80.5	30		12.5		25.0			C290D3/T1 C290D2/T1	SA2253CE Northwest	
182 "Skylane"	L	O-470-L (TCM)	P2033909-51	2A34C203/90DCA-8	82.0	80.5	30		12.5		25.0			C290D3/T1 C290D2/T1	SA5882SW US Prop of Connecticut	
182 "Skylane"	L	O-470-L (TCM)	P2033909-51 P2033909-56	2A34C203/90DCA-8	82.0	80.5	30		12.5		25.0			C290D3/T1 C290D2/T1	SA3238NM American	
182 "Skylane"	L	O-470-L (TCM)		C2A34C204/90DCB-8	82.0	80.5	30		12.5					C290D3/T1 C290D2/T1	SA2253CE Northwest	
182 "Skylane"		O-470-L (TCM)	P4114808-02	D3A32C411/82NDA-2	80.0	78.0	30		11.0		25.6	D-6594	P	C290D3/T1 C290D2/T1	SA753NE US Prop of Connecticut	
182 "Skylane"	L	O-470-L (TCM)	P4357483-01	D3A36C435/80VEA-0	80.0	78.0	30		10.8		33.9	D-7510-1	P	C290D3/T1 C290D2/T1	SA00819CH McCauley PL60228 PL60239	
182 "Skylane"		O-470-U (TCM)	P2043909-52	C2A34C204/90DCB-8	82.0	80.5	30		15.0		29.4				SA01581AT John Jewell	
182 "Skylane"		O-470-U-TS (STC)		C2A34C204/90DCB-8	82.0	80.5	30		10.4		29.4				SA8951SW Texas Skyways	
182 "Skylane"		O-520-F-TS (STC)		B2A37C238/90REA-4	86.0	84.5	30		10.9		29.5				SA09558SC Texas Skyways	
182 "Skylane"		O-520-F-TS (STC)	P4014808-04	D3A34C401/90DFA-10	80.0	76.0	30		10.4		28.5	D-3867-1 D-6594	P P		SA09026SC Texas Skyways	
182 "Skylane"		O-520-U-TS (STC)	P4014808-04	D3A34C401/90DFA-10	80.0	76.0	30		10.4		28.5	D-3867-1 D-6594	P P		SA09026SC Texas Skyways	
182 "Skylane"		IO-520-D (TCM)		D3A34C401/90DFA-10	80.0	78.5	30								SA01302AT John Jewell	
182 "Skylane"		IO-520 series (TCM)	P4014808-09	D3A34C401/90DFA-2	88.0	86.0	30		10.0		28.5	D-3867 D-3669	S S		SA00727WI Air Plains	88

Constant Speed Propeller Applications

Aircraft		Engine		Model	Diameter		Ref		Blade Angles			Spinner		Governors	STC Number STC Holder STC Kit P/N	Notes
Model	TYPE	Model (Make)	Part Number		Max	Min	Sta	Rev	Low or Flight Idle	Latch or Start Locks	High or Feather	Assembly P/N	Type			
182 "Skylane"		IO-520 series (TCM)	P4014808-12	D3A34C401/90DFA-4	86.0	84.0	30		10.0		28.0	D-3867 D-3669	S S		SA00727WI Air Plains	84
182 "Skylane"		IO-520 series (TCM)	P4014808-13	D3A34C401/90DFA-6	84.0	82.0	30		10.0		28.0	D-3867 D-3669	S S		SA00727WI Air Plains	
182 "Skylane"		IO-520 series (TCM)	P4014808-14	D3A34C401/90DFA-8	82.0	80.0	30		10.4		28.5	D-3867 D-3669	S S		SA00727WI Air Plains	
182 "Skylane"		IO-520 series (TCM)	P4014808-04	D3A34C401/90DFA-10	80.0	80.0	30		10.4		28.5	D-3867 D-3669	S S		SA00727WI Air Plains	89
182 "Skylane"		O-550-F-TS (STC)		B2A37C238/90REA-4	86.0	84.5	30		10.9		29.5				SA09558SC Texas Skyways	
182 "Skylane"		O-550-F-TS (STC)		D3A34C401/90DFA-10	80.0	76.0	30		10.0		28.5	D-6594	P		SA09133SC Texas Skyways	
182 "Skylane"	L	IO-550-D (TCM)		D3A34C401/90DFA-10	80.0	78.5	30								SA01218AT John Jewell	
182 "Skylane"		IO-550 series (TCM)	P4014808-09	D3A34C401/90DFA-2	88.0	86.0	30		10.0		28.5	D-3867 D-3669	S S		SA00727WI Air Plains	88
182 "Skylane"		IO-550 series (TCM)	P4014808-12	D3A34C401/90DFA-4	86.0	84.0	30		10.0		28.0	D-3867 D-3669	S S		SA00727WI Air Plains	84
182 "Skylane"		IO-550 series (TCM)	P4014808-13	D3A34C401/90DFA-6	84.0	82.0	30		10.0		28.0	D-3867 D-3669	S S		SA00727WI Air Plains	90
182 "Skylane"		IO-550 series (TCM)	P4014808-14	D3A34C401/90DFA-8	82.0	80.0	30		10.4		28.5	D-3867 D-3669	S S		SA00727WI Air Plains	
182 "Skylane"		IO-550 series (TCM)	P4014808-04	D3A34C401/90DFA-10	80.0	80.0	30		10.4		28.5	D-3867 D-3669	S S		SA00727WI Air Plains	89
182A "Skylane"	L	O-470-L (TCM)	OBSOLETE	2A36C1-U/90M-8	82.0	80.0	36		10.5		22.0			C290D3/T1 C290D2/T1		1
182A "Skylane"	L	O-470-L (TCM)	OBSOLETE	2A36C18/90M-8	82.0	80.0	36		10.5		22.0			C290D3/T1 C290D2/T1		1
182A "Skylane"	L	O-470-L (TCM)	OBSOLETE	2A36C29/90M-8	82.0	80.0	36		10.5		22.0			C290D3/T1 C290D2/T1		1
182A "Skylane"	L	O-470-L (TCM)	OBSOLETE	2A34C50/90A-8	82.0	80.0	36		10.5		22.0			C290D3/T1 C290D2/T1		1
182A "Skylane"	L	O-470-L (TCM)	OBSOLETE	2A34C66/90AT-8	82.0	80.0	36		10.5		22.0			C290D3/T1 C290D2/T1		1
182A "Skylane"	L	O-470-L (TCM)	P2017294-51	2A34C201/90DA-8	82.0	80.0	30		13.0		24.5			C290D3/T1 C290D2/T1	SA2253CE Northwest	
182A "Skylane"	A F	O-470-L (TCM)	P2033909-57	2A34C203/90DCA-2	88.0	86.5	30		10.0		24.5	D-7519-1	P	C290D3/T1 C290D2/T1	SA01033CH McCaughey PL60289 PL60292	
182A "Skylane"	L	O-470-L (TCM)	P2033909-51	2A34C203/90DCA-8	82.0	80.5	30		12.5		25.0			C290D3/T1 C290D2/T1		21
182A "Skylane"	L	O-470-L (TCM)	P2033909-56	2A34C203/90DCA-8	82.0	80.5	30		12.5		25.0	D-7519-1	P	C290D3/T1 C290D2/T1	SA01033CH McCaughey PL60287 PL60291	
182A "Skylane"	L	O-470-L (TCM)	P2033909-51	2A34C203/90DCA-8	82.0	80.5	30		12.5		25.0			C290D3/T1 C290D2/T1	SA2253CE Northwest	

Constant Speed Propeller Applications

Aircraft		Engine			Diameter		Ref		Blade Angles			Spinner		Governors	STC Number STC Holder STC Kit P/N	Notes
Model	T Y P E	Model (Make)	Part Number	Model	Max	Min	Sta	Rev	Low or Flight Idle	Latch or Start Locks	High or Feather	Assembly P/N	T y p e			
182A "Skylane"	L	O-470-L (TCM)	P2033909-51	2A34C203/90DCA-8	82.0	80.5	30		12.5		25.0			C290D3/T1 C290D2/T1	SA5882SW US Prop of Connecticut	
182A "Skylane"	L	O-470-L (TCM)	P2033909-51 P2033909-56	2A34C203/90DCA-8	82.0	80.5	30		12.5		25.0			C290D3/T1 C290D2/T1	SA3238NM American	
182A "Skylane"	L	O-470-L (TCM)		C2A34C204/90DCB-8	82.0	80.5	30		12.5					C290D3/T1 C290D2/T1	SA2253CE Northwest	
182A "Skylane"		O-470-L (TCM)	P4114808-02	D3A32C411/82NDA-2	80.0	78.0	30		11.0		25.6	D-6594	P	C290D3/T1 C290D2/T1	SA753NE US Prop of Connecticut	
182A "Skylane"	L	O-470-L (TCM)	P4357483-01	D3A36C435/80VEA-0	80.0	78.0	30		10.8		33.9	D-7510-1	P	C290D3/T1 C290D2/T1	SA00819CH McCauley PL60228 PL60239	
182A "Skylane"		O-470-U (TCM)	P2043909-52	C2A34C204/90DCB-8	82.0	80.5	30		15.0		29.4				SA01581AT John Jewell	
182A "Skylane"		O-470-U-TS (STC)		C2A34C204/90DCB-8	82.0	80.5	30		10.4		29.4				SA8951SW Texas Skyways	
182A "Skylane"		O-520-F-TS (STC)		B2A37C238/90REA-4	86.0	84.5	30		10.9		29.5				SA09558SC Texas Skyways	
182A "Skylane"		O-520-F-TS (STC)	P4014808-04	D3A34C401/90DFA-10	80.0	76.0	30		10.4		28.5	D-3867-1 D-6594	P P		SA09026SC Texas Skyways	
182A "Skylane"		O-520-U-TS (STC)	P4014808-04	D3A34C401/90DFA-10	80.0	76.0	30		10.4		28.5	D-3867-1 D-6594	P P		SA09026SC Texas Skyways	
182A "Skylane"		IO-520-D (TCM)		D3A34C401/90DFA-10	80.0	78.5	30								SA01302AT John Jewell	
182A "Skylane"		IO-520 series (TCM)	P4014808-09	D3A34C401/90DFA-2	88.0	86.0	30		10.0		28.5	D-3867 D-3669	S S		SA00727WI Air Plains	88
182A "Skylane"		IO-520 series (TCM)	P4014808-12	D3A34C401/90DFA-4	86.0	84.0	30		10.0		28.0	D-3867 D-3669	S S		SA00727WI Air Plains	84
182A "Skylane"		IO-520 series (TCM)	P4014808-13	D3A34C401/90DFA-6	84.0	82.0	30		10.0		28.0	D-3867 D-3669	S S		SA00727WI Air Plains	
182A "Skylane"		IO-520 series (TCM)	P4014808-14	D3A34C401/90DFA-8	82.0	80.0	30		10.4		28.5	D-3867 D-3669	S S		SA00727WI Air Plains	
182A "Skylane"		IO-520 series (TCM)	P4014808-04	D3A34C401/90DFA-10	80.0	80.0	30		10.4		28.5	D-3867 D-3669	S S		SA00727WI Air Plains	89
182A "Skylane"		O-550-F-TS (STC)		B2A37C238/90REA-4	86.0	84.5	30		10.9		29.5				SA09558SC Texas Skyways	
182A "Skylane"		O-550-F-TS (STC)		D3A34C401/90DFA-10	80.0	76.0	30		10.0		28.5	D-6594	P		SA09133SC Texas Skyways	
182A "Skylane"	L	IO-550-D (TCM)		D3A34C401/90DFA-10	80.0	78.5	30								SA01218AT John Jewell	
182A "Skylane"		IO-550 series (TCM)	P4014808-09	D3A34C401/90DFA-2	88.0	86.0	30		10.0		28.5	D-3867 D-3669	S S		SA00727WI Air Plains	88
182A "Skylane"		IO-550 series (TCM)	P4014808-12	D3A34C401/90DFA-4	86.0	84.0	30		10.0		28.0	D-3867 D-3669	S S		SA00727WI Air Plains	84

Constant Speed Propeller Applications

Aircraft		Engine		Model	Diameter		Ref		Blade Angles			Spinner		Governors	STC Number STC Holder STC Kit P/N	Notes
Model	T Y P E	Model (Make)	Part Number		Max	Min	Sta	Rev	Low or Flight Idle	Latch or Start Locks	High or Feather	Assembly P/N	T y p e			
182A "Skylane"		IO-550 series (TCM)	P4014808-13	D3A34C401/90DFA-6	84.0	82.0	30		10.0		28.0	D-3867 D-3669	S S		SA00727WI Air Plains	90
182A "Skylane"		IO-550 series (TCM)	P4014808-14	D3A34C401/90DFA-8	82.0	80.0	30		10.4		28.5	D-3867 D-3669	S S		SA00727WI Air Plains	
182A "Skylane"		IO-550 series (TCM)	P4014808-04	D3A34C401/90DFA-10	80.0	80.0	30		10.4		28.5	D-3867 D-3669	S S		SA00727WI Air Plains	89
182B "Skylane"	L	O-470-L (TCM)	OBSOLETE	2A36C1-U/90M-8	82.0	80.0	36		10.5		22.0			C290D3/T1 C290D2/T1		1
182B "Skylane"	L	O-470-L (TCM)	OBSOLETE	2A36C18/90M-8	82.0	80.0	36		10.5		22.0			C290D3/T1 C290D2/T1		1
182B "Skylane"	L	O-470-L (TCM)	OBSOLETE	2A36C29/90M-8	82.0	80.0	36		10.5		22.0			C290D3/T1 C290D2/T1		1
182B "Skylane"	L	O-470-L (TCM)	OBSOLETE	2A34C50/90A-8	82.0	80.0	36		10.5		22.0			C290D3/T1 C290D2/T1		1
182B "Skylane"	L	O-470-L (TCM)	OBSOLETE	2A34C66/90AT-8	82.0	80.0	36		10.5		22.0			C290D3/T1 C290D2/T1		1
182B "Skylane"	L	O-470-L (TCM)	P2017294-51	2A34C201/90DA-8	82.0	80.0	30		13.0		24.5			C290D3/T1 C290D2/T1	SA2253CE Northwest	
182B "Skylane"	A F	O-470-L (TCM)	P2033909-57	2A34C203/90DCA-2	88.0	86.5	30		10.0		24.5	D-7519-1	P	C290D3/T1 C290D2/T1	SA01033CH McCaughey PL60289 PL60292	
182B "Skylane"	L	O-470-L (TCM)	P2033909-51	2A34C203/90DCA-8	82.0	80.5	30		12.5		25.0			C290D3/T1 C290D2/T1		21
182B "Skylane"	L	O-470-L (TCM)	P2033909-56	2A34C203/90DCA-8	82.0	80.5	30		12.5		25.0	D-7519-1	P	C290D3/T1 C290D2/T1	SA01033CH McCaughey PL60287 PL60291	
182B "Skylane"	L	O-470-L (TCM)	P2033909-51	2A34C203/90DCA-8	82.0	80.5	30		12.5		25.0			C290D3/T1 C290D2/T1	SA2253CE Northwest	
182B "Skylane"	L	O-470-L (TCM)	P2033909-51	2A34C203/90DCA-8	82.0	80.5	30		12.5		25.0			C290D3/T1 C290D2/T1	SA5882SW US Prop of Connecticut	
182B "Skylane"	L	O-470-L (TCM)	P2033909-51 P2033909-56	2A34C203/90DCA-8	82.0	80.5	30		12.5		25.0			C290D3/T1 C290D2/T1	SA3238NM American	
182B "Skylane"	L	O-470-L (TCM)		C2A34C204/90DCB-8	82.0	80.5	30		12.5					C290D3/T1 C290D2/T1	SA2253CE Northwest	
182B "Skylane"		O-470-L (TCM)	P4114808-02	D3A32C411/82NDA-2	80.0	78.0	30		11.0		25.6	D-6594	P	C290D3/T1 C290D2/T1	SA753NE US Prop of Connecticut	
182B "Skylane"	L	O-470-L (TCM)	P4357483-01	D3A36C435/80VEA-0	80.0	78.0	30		10.8		33.9	D-7510-1	P	C290D3/T1 C290D2/T1	SA00819CH McCaughey PL60228 PL60239	
182B "Skylane"		O-470-U (TCM)	P2043909-52	C2A34C204/90DCB-8	82.0	80.5	30		15.0		29.4				SA01581AT John Jewell	
182B "Skylane"		O-470-U-TS (STC)		C2A34C204/90DCB-8	82.0	80.5	30		10.4		29.4				SA8951SW Texas Skyways	
182B "Skylane"		O-520-F-TS (STC)		B2A37C238/90REA-4	86.0	84.5	30		10.9		29.5				SA09558SC Texas Skyways	

Constant Speed Propeller Applications

Aircraft		Engine		Model	Diameter		Ref		Blade Angles			Spinner		Governors	STC Number STC Holder STC Kit P/N	Notes
Model	TYPE	Model (Make)	Part Number		Max	Min	Sta	Rev	Low or Flight Idle	Latch or Start Locks	High or Feather	Assembly P/N	Type			
182B "Skylane"		O-520-F-TS (STC)	P4014808-04	D3A34C401/90DFA-10	80.0	76.0	30		10.4		28.5	D-3867-1 D-6594	P P		SA09026SC Texas Skyways	
182B "Skylane"		O-520-U-TS (STC)	P4014808-04	D3A34C401/90DFA-10	80.0	76.0	30		10.4		28.5	D-3867-1 D-6594	P P		SA09026SC Texas Skyways	
182B "Skylane"		IO-520-D (TCM)		D3A34C401/90DFA-10	80.0	78.5	30								SA01302AT John Jewell	
182B "Skylane"		IO-520 series (TCM)	P4014808-09	D3A34C401/90DFA-2	88.0	86.0	30		10.0		28.5	D-3867 D-3669	S S		SA00727WI Air Plains	88
182B "Skylane"		IO-520 series (TCM)	P4014808-12	D3A34C401/90DFA-4	86.0	84.0	30		10.0		28.0	D-3867 D-3669	S S		SA00727WI Air Plains	84
182B "Skylane"		IO-520 series (TCM)	P4014808-13	D3A34C401/90DFA-6	84.0	82.0	30		10.0		28.0	D-3867 D-3669	S S		SA00727WI Air Plains	
182B "Skylane"		IO-520 series (TCM)	P4014808-14	D3A34C401/90DFA-8	82.0	80.0	30		10.4		28.5	D-3867 D-3669	S S		SA00727WI Air Plains	
182B "Skylane"		IO-520 series (TCM)	P4014808-04	D3A34C401/90DFA-10	80.0	80.0	30		10.4		28.5	D-3867 D-3669	S S		SA00727WI Air Plains	89
182B "Skylane"		O-550-F-TS (STC)		B2A37C238/90REA-4	86.0	84.5	30		10.9		29.5				SA09558SC Texas Skyways	
182B "Skylane"		O-550-F-TS (STC)		D3A34C401/90DFA-10	80.0	76.0	30		10.0		28.5	D-6594	P		SA09133SC Texas Skyways	
182B "Skylane"	L	IO-550-D (TCM)		D3A34C401/90DFA-10	80.0	78.5	30								SA01218AT John Jewell	
182B "Skylane"		IO-550 series (TCM)	P4014808-09	D3A34C401/90DFA-2	88.0	86.0	30		10.0		28.5	D-3867 D-3669	S S		SA00727WI Air Plains	88
182B "Skylane"		IO-550 series (TCM)	P4014808-12	D3A34C401/90DFA-4	86.0	84.0	30		10.0		28.0	D-3867 D-3669	S S		SA00727WI Air Plains	84
182B "Skylane"		IO-550 series (TCM)	P4014808-13	D3A34C401/90DFA-6	84.0	82.0	30		10.0		28.0	D-3867 D-3669	S S		SA00727WI Air Plains	90
182B "Skylane"		IO-550 series (TCM)	P4014808-14	D3A34C401/90DFA-8	82.0	80.0	30		10.4		28.5	D-3867 D-3669	S S		SA00727WI Air Plains	
182B "Skylane"		IO-550 series (TCM)	P4014808-04	D3A34C401/90DFA-10	80.0	80.0	30		10.4		28.5	D-3867 D-3669	S S		SA00727WI Air Plains	89
182C "Skylane"	L	O-470-L (TCM)	OBSOLETE	2A36C1-U/90M-8	82.0	80.0	36		10.5		22.0			C290D3/T1 C290D2/T1		1
182C "Skylane"	L	O-470-L (TCM)	OBSOLETE	2A36C18/90M-8	82.0	80.0	36		10.5		22.0			C290D3/T1 C290D2/T1		1
182C "Skylane"	L	O-470-L (TCM)	OBSOLETE	2A36C29/90M-8	82.0	80.0	36		10.5		22.0			C290D3/T1 C290D2/T1		1
182C "Skylane"	L	O-470-L (TCM)	OBSOLETE	2A34C50/90A-8	82.0	80.0	36		10.5		22.0			C290D3/T1 C290D2/T1		1
182C "Skylane"	L	O-470-L (TCM)	OBSOLETE	2A34C66/90AT-8	82.0	80.0	36		10.5		22.0			C290D3/T1 C290D2/T1		1
182C "Skylane"	L	O-470-L (TCM)	P2017294-51	2A34C201/90DA-8	82.0	80.0	30		13.0		24.5			C290D3/T1 C290D2/T1	SA2253CE Northwest	
182C "Skylane"	A F	O-470-L (TCM)	P2033909-57	2A34C203/90DCA-2	88.0	86.5	30		10.0		24.5	D-7519-1	P	C290D3/T1 C290D2/T1	SA01033CH McCaughey PL60289 PL60292	

Constant Speed Propeller Applications

Aircraft		Engine		Part Number	Model	Diameter		Ref	Blade Angles			Spinner		Governors	STC Number STC Holder STC Kit P/N	Notes
Model	TYPE	Model (Make)	Model			Max	Min		Sta	Rev	Low or Flight Idle	Latch or Start Locks	High or Feather			
182C "Skylane"	L	O-470-L (TCM)	P2033909-51	2A34C203/90DCA-8	82.0	80.5	30		12.5		25.0			C290D3/T1 C290D2/T1		21
182C "Skylane"	L	O-470-L (TCM)	P2033909-56	2A34C203/90DCA-8	82.0	80.5	30		12.5		25.0	D-7519-1	P	C290D3/T1 C290D2/T1	SA01033CH McCauley PL60287 PL60291	
182C "Skylane"	L	O-470-L (TCM)	P2033909-51	2A34C203/90DCA-8	82.0	80.5	30		12.5		25.0			C290D3/T1 C290D2/T1	SA2253CE Northwest	
182C "Skylane"	L	O-470-L (TCM)	P2033909-51	2A34C203/90DCA-8	82.0	80.5	30		12.5		25.0			C290D3/T1 C290D2/T1	SA5882SW US Prop of Connecticut	
182C "Skylane"	L	O-470-L (TCM)	P2033909-51 P2033909-56	2A34C203/90DCA-8	82.0	80.5	30		12.5		25.0			C290D3/T1 C290D2/T1	SA3238NM American	
182C "Skylane"	L	O-470-L (TCM)		C2A34C204/90DCB-8	82.0	80.5	30		12.5					C290D3/T1 C290D2/T1	SA2253CE Northwest	
182C "Skylane"		O-470-L (TCM)	P4114808-02	D3A32C411/82NDA-2	80.0	78.0	30		11.0		25.6	D-6594	P	C290D3/T1 C290D2/T1	SA753NE US Prop of Connecticut	
182C "Skylane"	L	O-470-L (TCM)	P4357483-01	D3A36C435/80VEA-0	80.0	78.0	30		10.8		33.9	D-7510-1	P	C290D3/T1 C290D2/T1	SA00819CH McCauley PL60228 PL60239	
182C "Skylane"		O-470-U (TCM)	P2043909-52	C2A34C204/90DCB-8	82.0	80.5	30		15.0		29.4				SA01581AT John Jewell	
182C "Skylane"		O-470-U-TS (STC)		C2A34C204/90DCB-8	82.0	80.5	30		10.4		29.4				SA8951SW Texas Skyways	
182C "Skylane"		O-520-F-TS (STC)		B2A37C238/90REA-4	86.0	84.5	30		10.9		29.5				SA09558SC Texas Skyways	
182C "Skylane"		O-520-F-TS (STC)	P4014808-04	D3A34C401/90DFA-10	80.0	76.0	30		10.4		28.5	D-3867-1 D-6594	P P		SA09026SC Texas Skyways	
182C "Skylane"		O-520-U-TS (STC)	P4014808-04	D3A34C401/90DFA-10	80.0	76.0	30		10.4		28.5	D-3867-1 D-6594	P P		SA09026SC Texas Skyways	
182C "Skylane"		IO-520-D (TCM)		D3A34C401/90DFA-10	80.0	78.5	30								SA01302AT John Jewell	
182C "Skylane"		IO-520 series (TCM)	P4014808-09	D3A34C401/90DFA-2	88.0	86.0	30		10.0		28.5	D-3867 D-3669	S S		SA00727WI Air Plains	88
182C "Skylane"		IO-520 series (TCM)	P4014808-12	D3A34C401/90DFA-4	86.0	84.0	30		10.0		28.0	D-3867 D-3669	S S		SA00727WI Air Plains	84
182C "Skylane"		IO-520 series (TCM)	P4014808-13	D3A34C401/90DFA-6	84.0	82.0	30		10.0		28.0	D-3867 D-3669	S S		SA00727WI Air Plains	
182C "Skylane"		IO-520 series (TCM)	P4014808-14	D3A34C401/90DFA-8	82.0	80.0	30		10.4		28.5	D-3867 D-3669	S S		SA00727WI Air Plains	
182C "Skylane"		IO-520 series (TCM)	P4014808-04	D3A34C401/90DFA-10	80.0	80.0	30		10.4		28.5	D-3867 D-3669	S S		SA00727WI Air Plains	89
182C "Skylane"		O-550-F-TS (STC)		B2A37C238/90REA-4	86.0	84.5	30		10.9		29.5				SA09558SC Texas Skyways	

Constant Speed Propeller Applications

Aircraft		Engine		Part Number	Model	Diameter		Ref		Blade Angles			Spinner		Governors	STC Number STC Holder STC Kit P/N	Notes
Model	TYPE	Model (Make)				Max	Min	Sta	Rev	Low or Flight Idle	Latch or Start Locks	High or Feather	Assembly P/N	Type			
182C "Skylane"		O-550-F-TS (STC)		D3A34C401/90DFA-10	80.0	76.0	30		10.0		28.5	D-6594	P		SA09133SC Texas Skyways		
182C "Skylane"	L	IO-550-D (TCM)		D3A34C401/90DFA-10	80.0	78.5	30								SA01218AT John Jewell		
182C "Skylane"		IO-550 series (TCM)	P4014808-09	D3A34C401/90DFA-2	88.0	86.0	30		10.0		28.5	D-3867 D-3669	S S		SA00727WI Air Plains	88	
182C "Skylane"		IO-550 series (TCM)	P4014808-12	D3A34C401/90DFA-4	86.0	84.0	30		10.0		28.0	D-3867 D-3669	S S		SA00727WI Air Plains	84	
182C "Skylane"		IO-550 series (TCM)	P4014808-13	D3A34C401/90DFA-6	84.0	82.0	30		10.0		28.0	D-3867 D-3669	S S		SA00727WI Air Plains	90	
182C "Skylane"		IO-550 series (TCM)	P4014808-14	D3A34C401/90DFA-8	82.0	80.0	30		10.4		28.5	D-3867 D-3669	S S		SA00727WI Air Plains		
182C "Skylane"		IO-550 series (TCM)	P4014808-04	D3A34C401/90DFA-10	80.0	80.0	30		10.4		28.5	D-3867 D-3669	S S		SA00727WI Air Plains	89	
182D "Skylane"	L	O-470-L (TCM)	OBSOLETE	2A36C1-U/90M-8	82.0	80.0	36		10.5		22.0			C290D3/T1 C290D2/T1		1	
182D "Skylane"	L	O-470-L (TCM)	OBSOLETE	2A36C18/90M-8	82.0	80.0	36		10.5		22.0			C290D3/T1 C290D2/T1		1	
182D "Skylane"	L	O-470-L (TCM)	OBSOLETE	2A36C29/90M-8	82.0	80.0	36		10.5		22.0			C290D3/T1 C290D2/T1		1	
182D "Skylane"	L	O-470-L (TCM)	OBSOLETE	2A34C50/90A-8	82.0	80.0	36		10.5		22.0			C290D3/T1 C290D2/T1		1	
182D "Skylane"	L	O-470-L (TCM)	OBSOLETE	2A34C66/90AT-8	82.0	80.0	36		10.5		22.0			C290D3/T1 C290D2/T1		1	
182D "Skylane"	L	O-470-L (TCM)	P2017294-51	2A34C201/90DA-8	82.0	80.0	30		13.0		24.5			C290D3/T1 C290D2/T1	SA2253CE Northwest		
182D "Skylane"	A F	O-470-L (TCM)	P2033909-57	2A34C203/90DCA-2	88.0	86.5	30		10.0		24.5	D-7519-1	P	C290D3/T1 C290D2/T1	SA01033CH McCauley PL60289 PL60292		
182D "Skylane"	L	O-470-L (TCM)	P2033909-51	2A34C203/90DCA-8	82.0	80.5	30		12.5		25.0			C290D3/T1 C290D2/T1		21	
182D "Skylane"	L	O-470-L (TCM)	P2033909-56	2A34C203/90DCA-8	82.0	80.5	30		12.5		25.0	D-7519-1	P	C290D3/T1 C290D2/T1	SA01033CH McCauley PL60287 PL60291		
182D "Skylane"	L	O-470-L (TCM)	P2033909-51	2A34C203/90DCA-8	82.0	80.5	30		12.5		25.0			C290D3/T1 C290D2/T1	SA2253CE Northwest		
182D "Skylane"	L	O-470-L (TCM)	P2033909-51	2A34C203/90DCA-8	82.0	80.5	30		12.5		25.0			C290D3/T1 C290D2/T1	SA5882SW US Prop of Connecticut		
182D "Skylane"	L	O-470-L (TCM)	P2033909-51 P2033909-56	2A34C203/90DCA-8	82.0	80.5	30		12.5		25.0			C290D3/T1 C290D2/T1	SA3238NM American		
182D "Skylane"	L	O-470-L (TCM)		C2A34C204/90DCB-8	82.0	80.5	30		12.5					C290D3/T1 C290D2/T1	SA2253CE Northwest		
182D "Skylane"		O-470-L (TCM)	P4114808-02	D3A32C411/82NDA-2	80.0	78.0	30		11.0		25.6	D-6594	P	C290D3/T1 C290D2/T1	SA753NE US Prop of Connecticut		

Constant Speed Propeller Applications

Aircraft		Engine		Part Number	Model	Diameter		Ref		Blade Angles			Spinner		Governors	STC Number STC Holder STC Kit P/N	Notes
Model	TYPE	Model (Make)	Model			Max	Min	Sta	Rev	Low or Flight Idle	Latch or Start Locks	High or Feather	Assembly P/N	Type			
182D "Skylane"	L	O-470-L (TCM)	P4357483-01	D3A36C435/80VEA-0	80.0	78.0	30		10.8		33.9	D-7510-1	P	C290D3/T1 C290D2/T1	SA00819CH McCauley PL60228 PL60239		
182D "Skylane"		O-470-U (TCM)	P2043909-52	C2A34C204/90DCB-8	82.0	80.5	30		15.0		29.4				SA01581AT John Jewell		
182D "Skylane"		O-470-U-TS (STC)		C2A34C204/90DCB-8	82.0	80.5	30		10.4		29.4				SA8951SW Texas Skyways		
182D "Skylane"		O-520-F-TS (STC)		B2A37C238/90REA-4	86.0	84.5	30		10.9		29.5				SA09558SC Texas Skyways		
182D "Skylane"		O-520-F-TS (STC)	P4014808-04	D3A34C401/90DFA-10	80.0	76.0	30		10.4		28.5	D-3867-1 D-6594	P P		SA09026SC Texas Skyways		
182D "Skylane"		O-520-U-TS (STC)	P4014808-04	D3A34C401/90DFA-10	80.0	76.0	30		10.4		28.5	D-3867-1 D-6594	P P		SA09026SC Texas Skyways		
182D "Skylane"		IO-520-D (TCM)		D3A34C401/90DFA-10	80.0	78.5	30								SA01302AT John Jewell		
182D "Skylane"		IO-520 series (TCM)	P4014808-09	D3A34C401/90DFA-2	88.0	86.0	30		10.0		28.5	D-3867 D-3669	S S		SA00727WI Air Plains	88	
182D "Skylane"		IO-520 series (TCM)	P4014808-12	D3A34C401/90DFA-4	86.0	84.0	30		10.0		28.0	D-3867 D-3669	S S		SA00727WI Air Plains	84	
182D "Skylane"		IO-520 series (TCM)	P4014808-13	D3A34C401/90DFA-6	84.0	82.0	30		10.0		28.0	D-3867 D-3669	S S		SA00727WI Air Plains		
182D "Skylane"		IO-520 series (TCM)	P4014808-14	D3A34C401/90DFA-8	82.0	80.0	30		10.4		28.5	D-3867 D-3669	S S		SA00727WI Air Plains		
182D "Skylane"		IO-520 series (TCM)	P4014808-04	D3A34C401/90DFA-10	80.0	80.0	30		10.4		28.5	D-3867 D-3669	S S		SA00727WI Air Plains	89	
182D "Skylane"		O-550-F-TS (STC)		B2A37C238/90REA-4	86.0	84.5	30		10.9		29.5				SA09558SC Texas Skyways		
182D "Skylane"		O-550-F-TS (STC)		D3A34C401/90DFA-10	80.0	76.0	30		10.0		28.5	D-6594	P		SA09133SC Texas Skyways		
182D "Skylane"	L	IO-550-D (TCM)		D3A34C401/90DFA-10	80.0	78.5	30								SA01218AT John Jewell		
182D "Skylane"		IO-550 series (TCM)	P4014808-09	D3A34C401/90DFA-2	88.0	86.0	30		10.0		28.5	D-3867 D-3669	S S		SA00727WI Air Plains	88	
182D "Skylane"		IO-550 series (TCM)	P4014808-12	D3A34C401/90DFA-4	86.0	84.0	30		10.0		28.0	D-3867 D-3669	S S		SA00727WI Air Plains	84	
182D "Skylane"		IO-550 series (TCM)	P4014808-13	D3A34C401/90DFA-6	84.0	82.0	30		10.0		28.0	D-3867 D-3669	S S		SA00727WI Air Plains	90	
182D "Skylane"		IO-550 series (TCM)	P4014808-14	D3A34C401/90DFA-8	82.0	80.0	30		10.4		28.5	D-3867 D-3669	S S		SA00727WI Air Plains		
182D "Skylane"		IO-550 series (TCM)	P4014808-04	D3A34C401/90DFA-10	80.0	80.0	30		10.4		28.5	D-3867 D-3669	S S		SA00727WI Air Plains	89	
182E "Skylane"	L	O-470-L (TCM)	OBSOLETE	2A36C1-U/90M-8	82.0	80.0	36		10.5		22.0			C290D3/T1 C290D2/T1		1	
182E "Skylane"	L	O-470-L (TCM)	OBSOLETE	2A36C18/90M-8	82.0	80.0	36		10.5		22.0			C290D3/T1 C290D2/T1		1	

Constant Speed Propeller Applications

Aircraft		Engine			Diameter		Ref		Blade Angles			Spinner		Governors	STC Number STC Holder STC Kit P/N	Notes
Model	T Y P E	Model (Make)	Part Number	Model	Max	Min	Sta	Rev	Low or Flight Idle	Latch or Start Locks	High or Feather	Assembly P/N	T y p e			
182E "Skylane"	L	O-470-L (TCM)	OBSOLETE	2A36C29/90M-8	82.0	80.0	36		10.5		22.0			C290D3/T1 C290D2/T1		1
182E "Skylane"	L	O-470-L (TCM)	OBSOLETE	2A34C50/90A-8	82.0	80.0	36		10.5		22.0			C290D3/T1 C290D2/T1		1
182E "Skylane"	L	O-470-L (TCM)	OBSOLETE	2A34C66/90AT-8	82.0	80.0	36		10.5		22.0			C290D3/T1 C290D2/T1		1
182E "Skylane"	L	O-470-L (TCM)	P2017294-51	2A34C201/90DA-8	82.0	80.0	30		13.0		24.5			C290D3/T1 C290D2/T1	SA2253CE Northwest	
182E "Skylane"	A F	O-470-L (TCM)	P2033909-57	2A34C203/90DCA-2	88.0	86.5	30		10.0		24.5	D-7519-1	P	C290D3/T1 C290D2/T1	SA01033CH McCauley PL60289 PL60292	
182E "Skylane"	L	O-470-L (TCM)	P2033909-51	2A34C203/90DCA-8	82.0	80.5	30		12.5		25.0			C290D3/T1 C290D2/T1		21
182E "Skylane"	L	O-470-L (TCM)	P2033909-56	2A34C203/90DCA-8	82.0	80.5	30		12.5		25.0	D-7519-1	P	C290D3/T1 C290D2/T1	SA01033CH McCauley PL60287 PL60291	
182E "Skylane"	L	O-470-L (TCM)	P2033909-51	2A34C203/90DCA-8	82.0	80.5	30		12.5		25.0			C290D3/T1 C290D2/T1	SA2253CE Northwest	
182E "Skylane"	L	O-470-L (TCM)	P2033909-51	2A34C203/90DCA-8	82.0	80.5	30		12.5		25.0			C290D3/T1 C290D2/T1	SA5882SW US Prop of Connecticut	
182E "Skylane"	L	O-470-L (TCM)	P2033909-51 P2033909-56	2A34C203/90DCA-8	82.0	80.5	30		12.5		25.0			C290D3/T1 C290D2/T1	SA3238NM American	
182E "Skylane"	L	O-470-L (TCM)		C2A34C204/90DCB-8	82.0	80.5	30		12.5					C290D3/T1 C290D2/T1	SA2253CE Northwest	
182E "Skylane"		O-470-L (TCM)	P4114808-02	D3A32C411/82NDA-2	80.0	78.0	30		11.0		25.6	D-6594	P	C290D3/T1 C290D2/T1	SA753NE US Prop of Connecticut	
182E "Skylane"	L	O-470-L (TCM)	P4357483-01	D3A36C435/80VEA-0	80.0	78.0	30		10.8		33.9	D-7510-1	P	C290D3/T1 C290D2/T1	SA00819CH McCauley PL60228 PL60239	
182E "Skylane"	L	O-470-R (TCM)	OBSOLETE	2A36C1-U/90M-8	82.0	80.0	36		10.5		22.0			C290D3/T1 C290D2/T1		1
182E "Skylane"	L	O-470-R (TCM)	OBSOLETE	2A36C18/90M-8	82.0	80.0	36		10.5		22.0			C290D3/T1 C290D2/T1		1
182E "Skylane"	L	O-470-R (TCM)	OBSOLETE	2A36C29/90M-8	82.0	80.0	36		10.5		22.0			C290D3/T1 C290D2/T1		1
182E "Skylane"	L	O-470-R (TCM)	OBSOLETE	2A34C50/90A-8	82.0	80.0	36		10.5		22.0			C290D3/T1 C290D2/T1		1
182E "Skylane"	L	O-470-R (TCM)	OBSOLETE	2A34C66/90AT-8	82.0	80.0	36		10.5		22.0			C290D3/T1 C290D2/T1		1
182E "Skylane"	L	O-470-R (TCM)	P2017294-51	2A34C201/90DA-8	82.0	80.0	30		13.0		24.5			C290D3/T1 C290D2/T1	SA2253CE Northwest	
182E "Skylane"	A F	O-470-R (TCM)	P2033909-57	2A34C203/90DCA-2	88.0	86.5	30		10.0		24.5	D-7519-1	P	C290D3/T1 C290D2/T1	SA01033CH McCauley PL60289 PL60292	
182E "Skylane"	L	O-470-R (TCM)	P2033909-51	2A34C203/90DCA-8	82.0	80.5	30		12.5		25.0			C290D3/T1 C290D2/T1		21

Constant Speed Propeller Applications

Aircraft		Engine		Part Number	Model	Diameter		Ref		Blade Angles			Spinner		Governors	STC Number STC Holder STC Kit P/N	Notes
Model	T Y P E	Model (Make)	Model (Make)			Max	Min	Sta	Rev	Low or Flight Idle	Latch or Start Locks	High or Feather	Assembly P/N	T y p e			
182E "Skylane"	L	O-470-R (TCM)	P2033909-56	2A34C203/90DCA-8	82.0	80.5	30		12.5		25.0	D-7519-1	P	C290D3/T1 C290D2/T1	SA01033CH McCaughey PL60287 PL60291		
182E "Skylane"	L	O-470-R (TCM)	P2033909-51	2A34C203/90DCA-8	82.0	80.5	30		12.5		25.0			C290D3/T1 C290D2/T1	SA2253CE Northwest		
182E "Skylane"	L	O-470-R (TCM)	P2033909-51	2A34C203/90DCA-8	82.0	80.5	30		12.5		25.0			C290D3/T1 C290D2/T1	SA5882SW US Prop of Connecticut		
182E "Skylane"	L	O-470-R (TCM)	P2033909-51 P2033909-56	2A34C203/90DCA-8	82.0	80.5	30		12.5		25.0			C290D3/T1 C290D2/T1	SA3238NM American		
182E "Skylane"	L	O-470-R (TCM)		C2A34C204/90DCB-8	82.0	80.5	30		12.5					C290D3/T1 C290D2/T1	SA2253CE Northwest		
182E "Skylane"		O-470-R (TCM)	P4114808-02	D3A32C411/82NDA-2	80.0	78.0	30		11.0		25.6	D-6594	P	C290D3/T1 C290D2/T1	SA753NE US Prop of Connecticut		
182E "Skylane"	L	O-470-R (TCM)	P4114808-02	D3A32C411/82NDA-2	80.0	78.0	30		11.0		25.6	D-6594	P	C290D3/T1 C290D2/T1	SA00054WI P.Ponk		
182E "Skylane"	L	O-470-R (TCM)	P4357483-01	D3A36C435/80VEA-0	80.0	78.0	30		10.8		33.9	D-7510-1	P	C290D3/T1 C290D2/T1	SA00819CH McCaughey PL60228 PL60239		
182E "Skylane"		O-470-R (STC)	P2033909-55	2A34C203/90DCA-8	82.0	80.5	30		12.5		29.0				SA1598CE Air Plains		
182E "Skylane"		O-470-S (STC)	P2033909-55	2A34C203/90DCA-8	82.0	80.5	30		12.5		29.0				SA1598CE Air Plains		
182E "Skylane"		O-470-U (TCM)	P2043909-52	C2A34C204/90DCB-8	82.0	80.5	30		15.0		29.4				SA01581AT John Jewell		
182E "Skylane"		O-470-U-TS (STC)		C2A34C204/90DCB-8	82.0	80.5	30		10.4		29.4				SA8951SW Texas Skyways		
182E "Skylane"		IO-470-F (STC)		2A34C50/90A-8	82.0		36								SA3825SW Peterson		
182E "Skylane"		IO-470-F (STC)		D2A34C58/90AT-8	82.0		36								SA3825SW Peterson		
182E "Skylane"		IO-470-F (STC)		2A34C66/90AT-8	82.0		36								SA3825SW Peterson		
182E "Skylane"		O-520-F-TS (STC)		B2A37C238/90REA-4	86.0	84.5	30		10.9		29.5				SA09558SC Texas Skyways		
182E "Skylane"		O-520-F-TS (STC)	P4014808-04	D3A34C401/90DFA-10	80.0	76.0	30		10.4		28.5	D-3867-1 D-6594	P P		SA09026SC Texas Skyways		
182E "Skylane"		O-520-U-TS (STC)	P4014808-04	D3A34C401/90DFA-10	80.0	76.0	30		10.4		28.5	D-3867-1 D-6594	P P		SA09026SC Texas Skyways		
182E "Skylane"		IO-520-D (TCM)		D3A34C401/90DFA-10	80.0	78.5	30								SA01302AT John Jewell		
182E "Skylane"		IO-520 series (TCM)	P4014808-09	D3A34C401/90DFA-2	88.0	86.0	30		10.0		28.5	D-3867 D-3669	S S		SA00727WI Air Plains	88	
182E "Skylane"		IO-520 series (TCM)	P4014808-12	D3A34C401/90DFA-4	86.0	84.0	30		10.0		28.0	D-3867 D-3669	S S		SA00727WI Air Plains	84	

Constant Speed Propeller Applications

Aircraft		Engine		Model	Diameter		Ref		Blade Angles			Spinner		Governors	STC Number STC Holder STC Kit P/N	Notes
Model	T Y P E	Model (Make)	Part Number		Max	Min	Sta	Rev	Low or Flight Idle	Latch or Start Locks	High or Feather	Assembly P/N	T y p e			
182E "Skylane"		IO-520 series (TCM)	P4014808-13	D3A34C401/90DFA-6	84.0	82.0	30		10.0		28.0	D-3867 D-3669	S S		SA00727WI Air Plains	
182E "Skylane"		IO-520 series (TCM)	P4014808-14	D3A34C401/90DFA-8	82.0	80.0	30		10.4		28.5	D-3867 D-3669	S S		SA00727WI Air Plains	
182E "Skylane"		IO-520 series (TCM)	P4014808-04	D3A34C401/90DFA-10	80.0	80.0	30		10.4		28.5	D-3867 D-3669	S S		SA00727WI Air Plains	89
182E "Skylane"		O-550-F-TS (STC)		B2A37C238/90REA-4	86.0	84.5	30		10.9		29.5				SA09558SC Texas Skyways	
182E "Skylane"		O-550-F-TS (STC)		D3A34C401/90DFA-10	80.0	76.0	30		10.0		28.5	D-6594	P		SA09133SC Texas Skyways	
182E "Skylane"	L	IO-550-D (TCM)		D3A34C401/90DFA-10	80.0	78.5	30								SA01218AT John Jewell	
182E "Skylane"		IO-550 series (TCM)	P4014808-09	D3A34C401/90DFA-2	88.0	86.0	30		10.0		28.5	D-3867 D-3669	S S		SA00727WI Air Plains	88
182E "Skylane"		IO-550 series (TCM)	P4014808-12	D3A34C401/90DFA-4	86.0	84.0	30		10.0		28.0	D-3867 D-3669	S S		SA00727WI Air Plains	84
182E "Skylane"		IO-550 series (TCM)	P4014808-13	D3A34C401/90DFA-6	84.0	82.0	30		10.0		28.0	D-3867 D-3669	S S		SA00727WI Air Plains	90
182E "Skylane"		IO-550 series (TCM)	P4014808-14	D3A34C401/90DFA-8	82.0	80.0	30		10.4		28.5	D-3867 D-3669	S S		SA00727WI Air Plains	
182E "Skylane"		IO-550 series (TCM)	P4014808-04	D3A34C401/90DFA-10	80.0	80.0	30		10.4		28.5	D-3867 D-3669	S S		SA00727WI Air Plains	89
182F "Skylane"	L	O-470-L (TCM)	OBSOLETE	2A36C1-U/90M-8	82.0	80.0	36		10.5		22.0			C290D3/T1 C290D2/T1		1
182F "Skylane"	L	O-470-L (TCM)	OBSOLETE	2A36C18/90M-8	82.0	80.0	36		10.5		22.0			C290D3/T1 C290D2/T1		1
182F "Skylane"	L	O-470-L (TCM)	OBSOLETE	2A36C29/90M-8	82.0	80.0	36		10.5		22.0			C290D3/T1 C290D2/T1		1
182F "Skylane"	L	O-470-L (TCM)	OBSOLETE	2A34C50/90A-8	82.0	80.0	36		10.5		22.0			C290D3/T1 C290D2/T1		1
182F "Skylane"	L	O-470-L (TCM)	OBSOLETE	2A34C66/90AT-8	82.0	80.0	36		10.5		22.0			C290D3/T1 C290D2/T1		1
182F "Skylane"	L	O-470-L (TCM)	P2017294-51	2A34C201/90DA-8	82.0	80.0	30		13.0		24.5			C290D3/T1 C290D2/T1	SA2253CE Northwest	
182F "Skylane"	A F	O-470-L (TCM)	P2033909-57	2A34C203/90DCA-2	88.0	86.5	30		10.0		24.5	D-7519-1	P	C290D3/T1 C290D2/T1	SA01033CH McCauley PL60289 PL60292	
182F "Skylane"	L	O-470-L (TCM)	P2033909-51	2A34C203/90DCA-8	82.0	80.5	30		12.5		25.0			C290D3/T1 C290D2/T1		21
182F "Skylane"	L	O-470-L (TCM)	P2033909-56	2A34C203/90DCA-8	82.0	80.5	30		12.5		25.0	D-7519-1	P	C290D3/T1 C290D2/T1	SA01033CH McCauley PL60287 PL60291	
182F "Skylane"	L	O-470-L (TCM)	P2033909-51	2A34C203/90DCA-8	82.0	80.5	30		12.5		25.0			C290D3/T1 C290D2/T1	SA2253CE Northwest	
182F "Skylane"	L	O-470-L (TCM)	P2033909-51	2A34C203/90DCA-8	82.0	80.5	30		12.5		25.0			C290D3/T1 C290D2/T1	SA5882SW US Prop of Connecticut	

Constant Speed Propeller Applications

Aircraft		Engine		Part Number	Model	Diameter		Ref		Blade Angles			Spinner		Governors	STC Number STC Holder STC Kit P/N	Notes
Model	T Y P E	Model (Make)	Model (Make)			Max	Min	Sta	Rev	Low or Flight Idle	Latch or Start Locks	High or Feather	Assembly P/N	T y p e			
182F "Skylane"	L	O-470-L (TCM)	P2033909-51 P2033909-56	2A34C203/90DCA-8	82.0	80.5	30		12.5		25.0			C290D3/T1 C290D2/T1	SA3238NM American		
182F "Skylane"	L	O-470-L (TCM)		C2A34C204/90DCB-8	82.0	80.5	30		12.5					C290D3/T1 C290D2/T1	SA2253CE Northwest		
182F "Skylane"		O-470-L (TCM)	P4114808-02	D3A32C411/82NDA-2	80.0	78.0	30		11.0		25.6	D-6594	P	C290D3/T1 C290D2/T1	SA753NE US Prop of Connecticut		
182F "Skylane"	L	O-470-L (TCM)	P4357483-01	D3A36C435/80VEA-0	80.0	78.0	30		10.8		33.9	D-7510-1	P	C290D3/T1 C290D2/T1	SA00819CH McCauley PL60228 PL60239		
182F "Skylane"	L	O-470-R (TCM)	OBSOLETE	2A36C1-U/90M-8	82.0	80.0	36		10.5		22.0			C290D3/T1 C290D2/T1		1	
182F "Skylane"	L	O-470-R (TCM)	OBSOLETE	2A36C18/90M-8	82.0	80.0	36		10.5		22.0			C290D3/T1 C290D2/T1		1	
182F "Skylane"	L	O-470-R (TCM)	OBSOLETE	2A36C29/90M-8	82.0	80.0	36		10.5		22.0			C290D3/T1 C290D2/T1		1	
182F "Skylane"	L	O-470-R (TCM)	OBSOLETE	2A34C50/90A-8	82.0	80.0	36		10.5		22.0			C290D3/T1 C290D2/T1		1	
182F "Skylane"	L	O-470-R (TCM)	OBSOLETE	2A34C66/90AT-8	82.0	80.0	36		10.5		22.0			C290D3/T1 C290D2/T1		1	
182F "Skylane"	L	O-470-R (TCM)	P2017294-51	2A34C201/90DA-8	82.0	80.0	30		13.0		24.5			C290D3/T1 C290D2/T1	SA2253CE Northwest		
182F "Skylane"	A F	O-470-R (TCM)	P2033909-57	2A34C203/90DCA-2	88.0	86.5	30		10.0		24.5	D-7519-1	P	C290D3/T1 C290D2/T1	SA01033CH McCauley PL60289 PL60292		
182F "Skylane"	L	O-470-R (TCM)	P2033909-51	2A34C203/90DCA-8	82.0	80.5	30		12.5		25.0			C290D3/T1 C290D2/T1		21	
182F "Skylane"	L	O-470-R (TCM)	P2033909-56	2A34C203/90DCA-8	82.0	80.5	30		12.5		25.0	D-7519-1	P	C290D3/T1 C290D2/T1	SA01033CH McCauley PL60287 PL60291		
182F "Skylane"	L	O-470-R (TCM)	P2033909-51	2A34C203/90DCA-8	82.0	80.5	30		12.5		25.0			C290D3/T1 C290D2/T1	SA2253CE Northwest		
182F "Skylane"	L	O-470-R (TCM)	P2033909-51	2A34C203/90DCA-8	82.0	80.5	30		12.5		25.0			C290D3/T1 C290D2/T1	SA5882SW US Prop of Connecticut		
182F "Skylane"	L	O-470-R (TCM)	P2033909-51 P2033909-56	2A34C203/90DCA-8	82.0	80.5	30		12.5		25.0			C290D3/T1 C290D2/T1	SA3238NM American		
182F "Skylane"	L	O-470-R (TCM)		C2A34C204/90DCB-8	82.0	80.5	30		12.5					C290D3/T1 C290D2/T1	SA2253CE Northwest		
182F "Skylane"		O-470-R (TCM)	P4114808-02	D3A32C411/82NDA-2	80.0	78.0	30		11.0		25.6	D-6594	P	C290D3/T1 C290D2/T1	SA753NE US Prop of Connecticut		
182F "Skylane"	L	O-470-R (TCM)	P4114808-02	D3A32C411/82NDA-2	80.0	78.0	30		11.0		25.6	D-6594	P	C290D3/T1 C290D2/T1	SA0054WI P.Ponk		
182F "Skylane"	L	O-470-R (TCM)	P4357483-01	D3A36C435/80VEA-0	80.0	78.0	30		10.8		33.9	D-7510-1	P	C290D3/T1 C290D2/T1	SA00819CH McCauley PL60228 PL60239		

Constant Speed Propeller Applications

Aircraft		Engine		Model	Diameter		Ref		Blade Angles			Spinner		Governors	STC Number STC Holder STC Kit P/N	Notes
Model	TYPE	Model (Make)	Part Number		Max	Min	Sta	Rev	Low or Flight Idle	Latch or Start Locks	High or Feather	Assembly P/N	Type			
182F "Skylane"		O-470-R (STC)	P2033909-55	2A34C203/90DCA-8	82.0	80.5	30		12.5		29.0				SA1598CE Air Plains	
182F "Skylane"		O-470-S (STC)	P2033909-55	2A34C203/90DCA-8	82.0	80.5	30		12.5		29.0				SA1598CE Air Plains	
182F "Skylane"		O-470-U (TCM)	P2043909-52	C2A34C204/90DCB-8	82.0	80.5	30		15.0		29.4				SA01581AT John Jewell	
182F "Skylane"		O-470-U-TS (STC)		C2A34C204/90DCB-8	82.0	80.5	30		10.4		29.4				SA8951SW Texas Skyways	
182F "Skylane"		IO-470-F (STC)		2A34C50/90A-8	82.0		36								SA3825SW Peterson	
182F "Skylane"		IO-470-F (STC)		D2A34C58/90AT-8	82.0		36								SA3825SW Peterson	
182F "Skylane"		IO-470-F (STC)		2A34C66/90AT-8	82.0		36								SA3825SW Peterson	
182F "Skylane"		O-520-F-TS (STC)		B2A37C238/90REA-4	86.0	84.5	30		10.9		29.5				SA09558SC Texas Skyways	
182F "Skylane"		O-520-F-TS (STC)	P4014808-04	D3A34C401/90DFA-10	80.0	76.0	30		10.4		28.5	D-3867-1 D-6594	P P		SA09026SC Texas Skyways	
182F "Skylane"		O-520-U-TS (STC)	P4014808-04	D3A34C401/90DFA-10	80.0	76.0	30		10.4		28.5	D-3867-1 D-6594	P P		SA09026SC Texas Skyways	
182F "Skylane"		IO-520-D (TCM)		D3A34C401/90DFA-10	80.0	78.5	30								SA01302AT John Jewell	
182F "Skylane"		IO-520 series (TCM)	P4014808-09	D3A34C401/90DFA-2	88.0	86.0	30		10.0		28.5	D-3867 D-3669	S S		SA00727WI Air Plains	88
182F "Skylane"		IO-520 series (TCM)	P4014808-12	D3A34C401/90DFA-4	86.0	84.0	30		10.0		28.0	D-3867 D-3669	S S		SA00727WI Air Plains	84
182F "Skylane"		IO-520 series (TCM)	P4014808-13	D3A34C401/90DFA-6	84.0	82.0	30		10.0		28.0	D-3867 D-3669	S S		SA00727WI Air Plains	
182F "Skylane"		IO-520 series (TCM)	P4014808-14	D3A34C401/90DFA-8	82.0	80.0	30		10.4		28.5	D-3867 D-3669	S S		SA00727WI Air Plains	
182F "Skylane"		IO-520 series (TCM)	P4014808-04	D3A34C401/90DFA-10	80.0	80.0	30		10.4		28.5	D-3867 D-3669	S S		SA00727WI Air Plains	89
182F "Skylane"		O-550-F-TS (STC)		B2A37C238/90REA-4	86.0	84.5	30		10.9		29.5				SA09558SC Texas Skyways	
182F "Skylane"		O-550-F-TS (STC)		D3A34C401/90DFA-10	80.0	76.0	30		10.0		28.5	D-6594	P		SA09133SC Texas Skyways	
182F "Skylane"	L	IO-550-D (TCM)		D3A34C401/90DFA-10	80.0	78.5	30								SA01218AT John Jewell	
182F "Skylane"		IO-550 series (TCM)	P4014808-09	D3A34C401/90DFA-2	88.0	86.0	30		10.0		28.5	D-3867 D-3669	S S		SA00727WI Air Plains	88
182F "Skylane"		IO-550 series (TCM)	P4014808-12	D3A34C401/90DFA-4	86.0	84.0	30		10.0		28.0	D-3867 D-3669	S S		SA00727WI Air Plains	84
182F "Skylane"		IO-550 series (TCM)	P4014808-13	D3A34C401/90DFA-6	84.0	82.0	30		10.0		28.0	D-3867 D-3669	S S		SA00727WI Air Plains	90
182F "Skylane"		IO-550 series (TCM)	P4014808-14	D3A34C401/90DFA-8	82.0	80.0	30		10.4		28.5	D-3867 D-3669	S S		SA00727WI Air Plains	

Constant Speed Propeller Applications

Aircraft		Engine		Model	Diameter		Ref		Blade Angles			Spinner		Governors	STC Number STC Holder STC Kit P/N	Notes
Model	T Y P E	Model (Make)	Part Number		Max	Min	Sta	Rev	Low or Flight Idle	Latch or Start Locks	High or Feather	Assembly P/N	T y p e			
182F "Skylane"		IO-550 series (TCM)	P4014808-04	D3A34C401/90DFA-10	80.0	80.0	30		10.4		28.5	D-3867 D-3669	S S		SA00727WI Air Plains	89
182G "Skylane"	L	O-470-L (TCM)	OBSOLETE	2A36C1-U/90M-8	82.0	80.0	36		10.5		22.0			C290D3/T1 C290D2/T1		1
182G "Skylane"	L	O-470-L (TCM)	OBSOLETE	2A36C18/90M-8	82.0	80.0	36		10.5		22.0			C290D3/T1 C290D2/T1		1
182G "Skylane"	L	O-470-L (TCM)	OBSOLETE	2A36C29/90M-8	82.0	80.0	36		10.5		22.0			C290D3/T1 C290D2/T1		1
182G "Skylane"	L	O-470-L (TCM)	OBSOLETE	2A34C50/90A-8	82.0	80.0	36		10.5		22.0			C290D3/T1 C290D2/T1		1
182G "Skylane"	L	O-470-L (TCM)	OBSOLETE	2A34C66/90AT-8	82.0	80.0	36		10.5		22.0			C290D3/T1 C290D2/T1		1
182G "Skylane"	L	O-470-L (TCM)	P2017294-51	2A34C201/90DA-8	82.0	80.0	30		13.0		24.5			C290D3/T1 C290D2/T1	SA2253CE Northwest	
182G "Skylane"	A F	O-470-L (TCM)	P2033909-57	2A34C203/90DCA-2	88.0	86.5	30		10.0		24.5	D-7519-1	P	C290D3/T1 C290D2/T1	SA01033CH McCauley PL60289 PL60292	
182G "Skylane"	L	O-470-L (TCM)	P2033909-51	2A34C203/90DCA-8	82.0	80.5	30		12.5		25.0			C290D3/T1 C290D2/T1		21
182G "Skylane"	L	O-470-L (TCM)	P2033909-56	2A34C203/90DCA-8	82.0	80.5	30		12.5		25.0	D-7519-1	P	C290D3/T1 C290D2/T1	SA01033CH McCauley PL60287 PL60291	
182G "Skylane"	L	O-470-L (TCM)	P2033909-51	2A34C203/90DCA-8	82.0	80.5	30		12.5		25.0			C290D3/T1 C290D2/T1	SA2253CE Northwest	
182G "Skylane"	L	O-470-L (TCM)	P2033909-51	2A34C203/90DCA-8	82.0	80.5	30		12.5		25.0			C290D3/T1 C290D2/T1	SA5882SW US Prop of Connecticut	
182G "Skylane"	L	O-470-L (TCM)	P2033909-51 P2033909-56	2A34C203/90DCA-8	82.0	80.5	30		12.5		25.0			C290D3/T1 C290D2/T1	SA3238NM American	
182G "Skylane"	L	O-470-L (TCM)		C2A34C204/90DCB-8	82.0	80.5	30		12.5					C290D3/T1 C290D2/T1	SA2253CE Northwest	
182G "Skylane"		O-470-L (TCM)	P4114808-02	D3A32C411/82NDA-2	80.0	78.0	30		11.0		25.6	D-6594	P	C290D3/T1 C290D2/T1	SA753NE US Prop of Connecticut	
182G "Skylane"	L	O-470-L (TCM)	P4357483-01	D3A36C435/80VEA-0	80.0	78.0	30		10.8		33.9	D-7510-1	P	C290D3/T1 C290D2/T1	SA00819CH McCauley PL60228 PL60239	
182G "Skylane"	L	O-470-R (TCM)	OBSOLETE	2A36C1-U/90M-8	82.0	80.0	36		10.5		22.0			C290D3/T1 C290D2/T1		1
182G "Skylane"	L	O-470-R (TCM)	OBSOLETE	2A36C18/90M-8	82.0	80.0	36		10.5		22.0			C290D3/T1 C290D2/T1		1
182G "Skylane"	L	O-470-R (TCM)	OBSOLETE	2A36C29/90M-8	82.0	80.0	36		10.5		22.0			C290D3/T1 C290D2/T1		1
182G "Skylane"	L	O-470-R (TCM)	OBSOLETE	2A34C50/90A-8	82.0	80.0	36		10.5		22.0			C290D3/T1 C290D2/T1		1
182G "Skylane"	L	O-470-R (TCM)	OBSOLETE	2A34C66/90AT-8	82.0	80.0	36		10.5		22.0			C290D3/T1 C290D2/T1		1
182G "Skylane"	L	O-470-R (TCM)	P2017294-51	2A34C201/90DA-8	82.0	80.0	30		13.0		24.5			C290D3/T1 C290D2/T1	SA2253CE Northwest	

Constant Speed Propeller Applications

Aircraft		Engine			Diameter		Ref		Blade Angles			Spinner		Governors	STC Number STC Holder STC Kit P/N	Notes
Model	T Y P E	Model (Make)	Part Number	Model	Max	Min	Sta	Rev	Low or Flight Idle	Latch or Start Locks	High or Feather	Assembly P/N	T y p e			
182G "Skylane"	A F	O-470-R (TCM)	P2033909-57	2A34C203/90DCA-2	88.0	86.5	30		10.0		24.5	D-7519-1	P	C290D3/T1 C290D2/T1	SA01033CH McCauley PL60289 PL60292	
182G "Skylane"	L	O-470-R (TCM)	P2033909-51	2A34C203/90DCA-8	82.0	80.5	30		12.5		25.0			C290D3/T1 C290D2/T1		21
182G "Skylane"	L	O-470-R (TCM)	P2033909-51	2A34C203/90DCA-8	82.0	80.5	30		12.5		25.0			C290D3/T1 C290D2/T1	SA2253CE Northwest	
182G "Skylane"	L	O-470-R (TCM)	P2033909-51	2A34C203/90DCA-8	82.0	80.5	30		12.5		25.0			C290D3/T1 C290D2/T1	SA5882SW US Prop of Connecticut	
182G "Skylane"	L	O-470-R (TCM)	P2033909-51 P2033909-56	2A34C203/90DCA-8	82.0	80.5	30		12.5		25.0			C290D3/T1 C290D2/T1	SA3238NM American	
182G "Skylane"	L	O-470-R (TCM)		C2A34C204/90DCB-8	82.0	80.5	30		12.5					C290D3/T1 C290D2/T1	SA2253CE Northwest	
182G "Skylane"		O-470-R (TCM)	P4114808-02	D3A32C411/82NDA-2	80.0	78.0	30		11.0		25.6	D-6594	P	C290D3/T1 C290D2/T1	SA753NE US Prop of Connecticut	
182G "Skylane"	L	O-470-R (TCM)	P4114808-02	D3A32C411/82NDA-2	80.0	78.0	30		11.0		25.6	D-6594	P	C290D3/T1 C290D2/T1	SA00054WI P.Ponk	
182G "Skylane"	L	O-470-R (TCM)	P4357483-01	D3A36C435/80VEA-0	80.0	78.0	30		10.8		33.9	D-7510-1	P	C290D3/T1 C290D2/T1	SA00819CH McCauley PL60228 PL60239	
182G "Skylane"		O-470-R (STC)	P2033909-55	2A34C203/90DCA-8	82.0	80.5	30		12.5		29.0				SA1598CE Air Plains	
182G "Skylane"		O-470-S (STC)	P2033909-55	2A34C203/90DCA-8	82.0	80.5	30		12.5		29.0				SA1598CE Air Plains	
182G "Skylane"		O-470-U (TCM)	P2043909-52	C2A34C204/90DCB-8	82.0	80.5	30		15.0		29.4				SA01581AT John Jewell	
182G "Skylane"		O-470-U-TS (STC)		C2A34C204/90DCB-8	82.0	80.5	30		10.4		29.4				SA8951SW Texas Skyways	
182G "Skylane"		IO-470-F (STC)		2A34C50/90A-8	82.0		36								SA3825SW Peterson	
182G "Skylane"		IO-470-F (STC)		D2A34C58/90AT-8	82.0		36								SA3825SW Peterson	
182G "Skylane"		IO-470-F (STC)		2A34C66/90AT-8	82.0		36								SA3825SW Peterson	
182G "Skylane"		O-520-F-TS (STC)		B2A37C238/90REA-4	86.0	84.5	30		10.9		29.5				SA09558SC Texas Skyways	
182G "Skylane"		O-520-F-TS (STC)	P4014808-04	D3A34C401/90DFA-10	80.0	76.0	30		10.4		28.5	D-3867-1 D-6594	P P		SA09026SC Texas Skyways	
182G "Skylane"		O-520-U-TS (STC)	P4014808-04	D3A34C401/90DFA-10	80.0	76.0	30		10.4		28.5	D-3867-1 D-6594	P P		SA09026SC Texas Skyways	
182G "Skylane"		IO-520-D (TCM)		D3A34C401/90DFA-10	80.0	78.5	30								SA01302AT John Jewell	
182G "Skylane"		IO-520 series (TCM)	P4014808-09	D3A34C401/90DFA-2	88.0	86.0	30		10.0		28.5	D-3867 D-3669	S S		SA00727WI Air Plains	88

Constant Speed Propeller Applications

Aircraft		Engine		Model	Diameter		Ref		Blade Angles			Spinner		Governors	STC Number STC Holder STC Kit P/N	Notes
Model	T Y P E	Model (Make)	Part Number		Max	Min	Sta	Rev	Low or Flight Idle	Latch or Start Locks	High or Feather	Assembly P/N	T y p e			
182G "Skylane"		IO-520 series (TCM)	P4014808-12	D3A34C401/90DFA-4	86.0	84.0	30		10.0		28.0	D-3867 D-3669	S S		SA00727WI Air Plains	84
182G "Skylane"		IO-520 series (TCM)	P4014808-13	D3A34C401/90DFA-6	84.0	82.0	30		10.0		28.0	D-3867 D-3669	S S		SA00727WI Air Plains	
182G "Skylane"		IO-520 series (TCM)	P4014808-14	D3A34C401/90DFA-8	82.0	80.0	30		10.4		28.5	D-3867 D-3669	S S		SA00727WI Air Plains	
182G "Skylane"		IO-520 series (TCM)	P4014808-04	D3A34C401/90DFA-10	80.0	80.0	30		10.4		28.5	D-3867 D-3669	S S		SA00727WI Air Plains	89
182G "Skylane"		O-550-F-TS (STC)		B2A37C238/90REA-4	86.0	84.5	30		10.9		29.5				SA09558SC Texas Skyways	
182G "Skylane"		O-550-F-TS (STC)		D3A34C401/90DFA-10	80.0	76.0	30		10.0		28.5	D-6594	P		SA09133SC Texas Skyways	
182G "Skylane"	L	IO-550-D (TCM)		D3A34C401/90DFA-10	80.0	78.5	30								SA01218AT John Jewell	
182G "Skylane"		IO-550 series (TCM)	P4014808-09	D3A34C401/90DFA-2	88.0	86.0	30		10.0		28.5	D-3867 D-3669	S S		SA00727WI Air Plains	88
182G "Skylane"		IO-550 series (TCM)	P4014808-12	D3A34C401/90DFA-4	86.0	84.0	30		10.0		28.0	D-3867 D-3669	S S		SA00727WI Air Plains	84
182G "Skylane"		IO-550 series (TCM)	P4014808-13	D3A34C401/90DFA-6	84.0	82.0	30		10.0		28.0	D-3867 D-3669	S S		SA00727WI Air Plains	90
182G "Skylane"		IO-550 series (TCM)	P4014808-14	D3A34C401/90DFA-8	82.0	80.0	30		10.4		28.5	D-3867 D-3669	S S		SA00727WI Air Plains	
182G "Skylane"		IO-550 series (TCM)	P4014808-04	D3A34C401/90DFA-10	80.0	80.0	30		10.4		28.5	D-3867 D-3669	S S		SA00727WI Air Plains	89
182H "Skylane"	L	O-470-R (TCM)	OBSOLETE	2A34C66/90AT-8	82.0	80.0	36		10.5		22.0			C290D3/T1 C290D2/T1		1
182H "Skylane"	L	O-470-R (TCM)	P2017294-51	2A34C201/90DA-8	82.0	80.0	30		13.0		24.5			C290D3/T1 C290D2/T1	SA2253CE Northwest	
182H "Skylane"	L	O-470-R (TCM)	P2033909-51	2A34C203/90DCA-8	82.0	80.5	30		12.5		25.0			C290D3/T1 C290D2/T1		21
182H "Skylane"	L	O-470-R (TCM)	P2033909-56	2A34C203/90DCA-8	82.0	80.5	30		12.5		25.0	D-7520	P	C290D3/T1 C290D2/T1	SA01033CH McCaughey PL60288	
182H "Skylane"	L	O-470-R (TCM)	P2033909-51	2A34C203/90DCA-8	82.0	80.5	30		12.5		25.0			C290D3/T1 C290D2/T1	SA2253CE Northwest	
182H "Skylane"	L	O-470-R (TCM)	P2033909-51	2A34C203/90DCA-8	82.0	80.5	30		12.5		25.0			C290D3/T1 C290D2/T1	SA5882SW US Prop of Connecticut	
182H "Skylane"	L	O-470-R (TCM)	P2033909-51 P2033909-56	2A34C203/90DCA-8	82.0	80.5	30		12.5		25.0			C290D3/T1 C290D2/T1	SA3238NM American	
182H "Skylane"	L	O-470-R (TCM)		C2A34C204/90DCB-8	82.0	80.5	30		12.5					C290D3/T1 C290D2/T1	SA2253CE Northwest	
182H "Skylane"		O-470-R (TCM)	P4114808-02	D3A32C411/82NDA-2	80.0	78.0	30		11.0		25.6	D-6594	P	C290D3/T1 C290D2/T1	SA753NE US Prop of Connecticut	
182H "Skylane"	L	O-470-R (TCM)	P4114808-02	D3A32C411/82NDA-2	80.0	78.0	30		11.0		25.6	D-6594	P	C290D3/T1 C290D2/T1	SA00054WI P.Ponk	
182H "Skylane"	L	O-470-R (TCM)	P4357483-01	D3A36C435/80VEA-0	80.0	78.0	30		10.8		33.9	D-7515	P	C290D3/T1 C290D2/T1	SA00819CH McCaughey PL60232	

Constant Speed Propeller Applications

Aircraft		Engine		Model	Diameter		Ref		Blade Angles			Spinner		Governors	STC Number STC Holder STC Kit P/N	Notes
Model	TYPE	Model (Make)	Part Number		Max	Min	Sta	Rev	Low or Flight Idle	Latch or Start Locks	High or Feather	Assembly P/N	Type			
182H "Skylane"		O-470-R (STC)	OBSOLETE	2A34C66/90AT-8	82.0	80.0	30		13.0		28.4				SA1598CE Air Plains	1
182H "Skylane"		O-470-R (STC)	P2033909-55	2A34C203/90DCA-8	82.0	80.5	30		12.5		29.0				SA1598CE Air Plains	
182H "Skylane"		O-470-R (STC)	P4114808-04	D3A34C411/82NDA-2	80.0	77.0	30		11.0		29.0				SA1598CE Air Plains	
182H "Skylane"		O-470-S (STC)	OBSOLETE	2A34C66/90AT-8	82.0	80.0	30		13.0		28.4				SA1598CE Air Plains	1
182H "Skylane"		O-470-S (STC)	P2033909-55	2A34C203/90DCA-8	82.0	80.5	30		12.5		29.0				SA1598CE Air Plains	
182H "Skylane"		O-470-S (STC)	P4114808-04	D3A34C411/82NDA-2	80.0	77.0	30		11.0		29.0				SA1598CE Air Plains	
182H "Skylane"		O-470-U (TCM)	P2043909-52	C2A34C204/90DCB-8	82.0	80.5	30		15.0		29.4				SA01581AT John Jewell	
182H "Skylane"		O-470-U-TS (STC)		C2A34C204/90DCB-8	82.0	80.5	30		10.4		29.4				SA8951SW Texas Skyways	
182H "Skylane"		O-470-50 (STC)	OBSOLETE	D2A34C58/90AT-8	82.0		36		9.5		25.8				SA5664NM P. Ponk	1
182H "Skylane"		O-470-50 (STC)	OBSOLETE	2A34C66/90AT-8	82.0		36								SA5664NM P. Ponk	1
182H "Skylane"		O-470-50 (STC)	OBSOLETE	D3A32C90/82NC-2	80.0		30								SA5664NM P. Ponk	1
182H "Skylane"		O-470-50 (STC)	P2306949-60	D2A37C230/90REB-8	82.0		30		12.8		28.3				SA5664NM P. Ponk	
182H "Skylane"		O-470-50 (STC)		D3A34C401/90DFA-10	80.0	78.5	30		10.4		28.0				SA5664NM P. Ponk	
182H "Skylane"		IO-470-F (STC)		2A34C50/90A-8	82.0		36								SA3825SW Peterson	
182H "Skylane"		IO-470-F (STC)		D2A34C58/90AT-8	82.0		36								SA3825SW Peterson	
182H "Skylane"		IO-470-F (STC)		2A34C66/90AT-8	82.0		36								SA3825SW Peterson	
182H "Skylane"		O-520-F-TS (STC)		B2A37C238/90REA-4	86.0	84.5	30		10.9		29.5				SA09558SC Texas Skyways	
182H "Skylane"		O-520-F-TS (STC)	P4014808-04	D3A34C401/90DFA-10	80.0	76.0	30		10.4		28.5	D-6594	P		SA09026SC Texas Skyways	
182H "Skylane"		O-520-U-TS (STC)	P4014808-04	D3A34C401/90DFA-10	80.0	76.0	30		10.4		28.5	D-6594	P		SA09026SC Texas Skyways	
182H "Skylane"		IO-520-D (TCM)	OBSOLETE	D2A34C58/90AT-8	82.0	80.5	36		9.5		25.8				SA461NW P. Ponk	1
182H "Skylane"		IO-520-D (TCM)	OBSOLETE	D3A32C90/82NC-2	80.0	74.0	30		10.4		28.0				SA461NW P. Ponk	1
182H "Skylane"		IO-520-D (TCM)		D3A34C401/90DFA-10	80.0	78.5	30								SA01302AT John Jewell	
182H "Skylane"		IO-520 series (TCM)	P4014808-09	D3A34C401/90DFA-2	88.0	86.0	30		10.0		28.5	D-6594	P		SA00727WI Air Plains	88
182H "Skylane"		IO-520 series (TCM)	P4014808-12	D3A34C401/90DFA-4	86.0	84.0	30		10.0		28.0	D-6594	P		SA00727WI Air Plains	84

Constant Speed Propeller Applications

Aircraft		Engine		Model	Diameter		Ref		Blade Angles			Spinner		Governors	STC Number STC Holder STC Kit P/N	Notes
Model	T Y P E	Model (Make)	Part Number		Max	Min	Sta	Rev	Low or Flight Idle	Latch or Start Locks	High or Feather	Assembly P/N	T y p e			
182H "Skylane"		IO-520 series (TCM)	P4014808-13	D3A34C401/90DFA-6	84.0	82.0	30		10.0		28.0	D-6594	P		SA00727WI Air Plains	
182H "Skylane"		IO-520 series (TCM)	P4014808-14	D3A34C401/90DFA-8	82.0	80.0	30		10.4		28.5	D-6594	P		SA00727WI Air Plains	
182H "Skylane"		IO-520 series (TCM)	P4014808-04	D3A34C401/90DFA-10	80.0	80.0	30		10.4		28.5	D-6594	P		SA00727WI Air Plains	89
182H "Skylane"		O-550-F-TS (STC)		B2A37C238/90REA-4	86.0	84.5	30		10.9		29.5				SA09558SC Texas Skyways	
182H "Skylane"		O-550-F-TS (STC)		D3A34C401/90DFA-10	80.0	76.0	30		10.0		28.5	D-6594	P		SA09133SC Texas Skyways	
182H "Skylane"	L	IO-550-D (TCM)		D3A34C401/90DFA-10	80.0	78.5	30								SA01218AT John Jewell	
182H "Skylane"		IO-550 series (TCM)	P4014808-09	D3A34C401/90DFA-2	88.0	86.0	30		10.0		28.5	D-6594	P		SA00727WI Air Plains	88
182H "Skylane"		IO-550 series (TCM)	P4014808-12	D3A34C401/90DFA-4	86.0	84.0	30		10.0		28.0	D-6594	P		SA00727WI Air Plains	84
182H "Skylane"		IO-550 series (TCM)	P4014808-13	D3A34C401/90DFA-6	84.0	82.0	30		10.0		28.0	D-6594	P		SA00727WI Air Plains	90
182H "Skylane"		IO-550 series (TCM)	P4014808-14	D3A34C401/90DFA-8	82.0	80.0	30		10.4		28.5	D-6594	P		SA00727WI Air Plains	
182H "Skylane"		IO-550 series (TCM)	P4014808-04	D3A34C401/90DFA-10	80.0	80.0	30		10.4		28.5	D-6594	P		SA00727WI Air Plains	89
182J "Skylane"	L	O-470-R (TCM)	OBSOLETE	2A34C66/90AT-8	82.0	80.0	36		10.5		22.0			C290D3/T1 C290D2/T1		1
182J "Skylane"	L	O-470-R (TCM)	P2017294-51	2A34C201/90DA-8	82.0	80.0	30		13.0		24.5			C290D3/T1 C290D2/T1	SA2253CE Northwest	
182J "Skylane"	L	O-470-R (TCM)	P2033909-51	2A34C203/90DCA-8	82.0	80.5	30		12.5		25.0			C290D3/T1 C290D2/T1		21
182J "Skylane"	L	O-470-R (TCM)	P2033909-56	2A34C203/90DCA-8	82.0	80.5	30		12.5		25.0	D-7520	P	C290D3/T1 C290D2/T1	SA01033CH McCauley PL60288	
182J "Skylane"	L	O-470-R (TCM)	P2033909-51	2A34C203/90DCA-8	82.0	80.5	30		12.5		25.0			C290D3/T1 C290D2/T1	SA2253CE Northwest	
182J "Skylane"	L	O-470-R (TCM)	P2033909-51 P2033909-56	2A34C203/90DCA-8	82.0	80.5	30		12.5		25.0			C290D3/T1 C290D2/T1	SA5882SW US Prop of Connecticut	
182J "Skylane"	L	O-470-R (TCM)		C2A34C204/90DCB-8	82.0	80.5	30		12.5					C290D3/T1 C290D2/T1	SA3238NM American	
182J "Skylane"		O-470-R (TCM)	P4114808-02	D3A32C411/82NDA-2	80.0	78.0	30		11.0		25.6	D-6594	P	C290D3/T1 C290D2/T1	SA753NE US Prop of Connecticut	
182J "Skylane"	L	O-470-R (TCM)	P4114808-02	D3A32C411/82NDA-2	80.0	78.0	30		11.0		25.6	D-6594	P	C290D3/T1 C290D2/T1	SA00054WI P.Ponk	
182J "Skylane"	L	O-470-R (TCM)	P4357483-01	D3A36C435/80VEA-0	80.0	78.0	30		10.8		33.9	D-7515	P	C290D3/T1 C290D2/T1	SA00819CH McCauley PL60232	
182J "Skylane"		O-470-R (STC)	OBSOLETE	2A34C66/90AT-8	82.0	80.0	30		13.0		28.4				SA1598CE Air Plains	1

Constant Speed Propeller Applications

Aircraft		Engine		Model	Diameter		Ref		Blade Angles			Spinner		Governors	STC Number STC Holder STC Kit P/N	Notes
Model	T Y P E	Model (Make)	Part Number		Max	Min	Sta	Rev	Low or Flight Idle	Latch or Start Locks	High or Feather	Assembly P/N	T y p e			
182J "Skylane"		O-470-R (STC)	P2033909-55	2A34C203/90DCA-8	82.0	80.5	30		12.5		29.0				SA1598CE Air Plains	
182J "Skylane"		O-470-R (STC)	P4114808-04	D3A34C411/82NDA-2	80.0	77.0	30		11.0		29.0				SA1598CE Air Plains	
182J "Skylane"		O-470-S (STC)	OBSOLETE	2A34C66/90AT-8	82.0	80.0	30		13.0		28.4				SA1598CE Air Plains	1
182J "Skylane"		O-470-S (STC)	P2033909-55	2A34C203/90DCA-8	82.0	80.5	30		12.5		29.0				SA1598CE Air Plains	
182J "Skylane"		O-470-S (STC)	P4114808-04	D3A34C411/82NDA-2	80.0	77.0	30		11.0		29.0				SA1598CE Air Plains	
182J "Skylane"		O-470-U (TCM)	P2043909-52	C2A34C204/90DCB-8	82.0	80.5	30		15.0		29.4				SA01581AT John Jewell	
182J "Skylane"		O-470-U-TS (STC)		C2A34C204/90DCB-8	82.0	80.5	30		10.4		29.4				SA8951SW Texas Skyways	
182J "Skylane"		O-470-50 (STC)	OBSOLETE	D2A34C58/90AT-8	82.0		36		9.5		25.8				SA5664NM P. Ponk	1
182J "Skylane"		O-470-50 (STC)	OBSOLETE	2A34C66/90AT-8	82.0		36								SA5664NM P. Ponk	1
182J "Skylane"		O-470-50 (STC)	OBSOLETE	D3A32C90/82NC-2	80.0		30								SA5664NM P. Ponk	1
182J "Skylane"		O-470-50 (STC)		D2A37C230/90REB-8	82.0		30		12.8		28.3				SA5664NM P. Ponk	
182J "Skylane"		O-470-50 (STC)		D3A34C401/90DFA-10	80.0	78.5	30		10.4		28.0				SA5664NM P. Ponk	
182J "Skylane"		IO-470-F (STC)		2A34C50/90A-8	82.0		36								SA3825SW Peterson	
182J "Skylane"		IO-470-F (STC)		D2A34C58/90AT-8	82.0		36								SA3825SW Peterson	
182J "Skylane"		IO-470-F (STC)		2A34C66/90AT-8	82.0		36								SA3825SW Peterson	
182J "Skylane"		O-520-F-TS (STC)		B2A37C238/90REA-4	86.0	84.5	30		10.9		29.5				SA09558SC Texas Skyways	
182J "Skylane"		O-520-F-TS (STC)	P4014808-04	D3A34C401/90DFA-10	80.0	76.0	30		10.4		28.5	D-6594	P		SA09026SC Texas Skyways	
182J "Skylane"		O-520-U-TS (STC)	P4014808-04	D3A34C401/90DFA-10	80.0	76.0	30		10.4		28.5	D-6594	P		SA09026SC Texas Skyways	
182J "Skylane"		IO-520-D (TCM)	OBSOLETE	D2A34C58/90AT-8	82.0	80.5	36		9.5		25.8				SA461NW P. Ponk	1
182J "Skylane"		IO-520-D (TCM)	OBSOLETE	D3A32C90/82NC-2	80.0	74.0	30		10.4		28.0				SA461NW P. Ponk	1
182J "Skylane"		IO-520-D (TCM)		D3A34C401/90DFA-10	80.0	78.5	30								SA01302AT John Jewell	
182J "Skylane"		IO-520 series (TCM)	P4014808-09	D3A34C401/90DFA-2	88.0	86.0	30		10.0		28.5	D-6594	P		SA00727WI Air Plains	88
182J "Skylane"		IO-520 series (TCM)	P4014808-12	D3A34C401/90DFA-4	86.0	84.0	30		10.0		28.0	D-6594	P		SA00727WI Air Plains	84
182J "Skylane"		IO-520 series (TCM)	P4014808-13	D3A34C401/90DFA-6	84.0	82.0	30		10.0		28.0	D-6594	P		SA00727WI Air Plains	

Constant Speed Propeller Applications

Aircraft		Engine		Model	Diameter		Ref		Blade Angles			Spinner		Governors	STC Number STC Holder STC Kit P/N	Notes
Model	T Y P E	Model (Make)	Part Number		Max	Min	Sta	Rev	Low or Flight Idle	Latch or Start Locks	High or Feather	Assembly P/N	T y p e			
182J "Skylane"		IO-520 series (TCM)	P4014808-14	D3A34C401/90DFA-8	82.0	80.0	30		10.4		28.5	D-6594	P		SA00727WI Air Plains	
182J "Skylane"		IO-520 series (TCM)	P4014808-04	D3A34C401/90DFA-10	80.0	80.0	30		10.4		28.5	D-6594	P		SA00727WI Air Plains	89
182J "Skylane"		O-550-F-TS (STC)		B2A37C238/90REA-4	86.0	84.5	30		10.9		29.5				SA09558SC Texas Skyways	
182J "Skylane"		O-550-F-TS (STC)		D3A34C401/90DFA-10	80.0	76.0	30		10.0		28.5	D-6594	P		SA09133SC Texas Skyways	
182J "Skylane"	L	IO-550-D (TCM)		D3A34C401/90DFA-10	80.0	78.5	30								SA01218AT John Jewell	
182J "Skylane"		IO-550 series (TCM)	P4014808-09	D3A34C401/90DFA-2	88.0	86.0	30		10.0		28.5	D-6594	P		SA00727WI Air Plains	88
182J "Skylane"		IO-550 series (TCM)	P4014808-12	D3A34C401/90DFA-4	86.0	84.0	30		10.0		28.0	D-6594	P		SA00727WI Air Plains	84
182J "Skylane"		IO-550 series (TCM)	P4014808-13	D3A34C401/90DFA-6	84.0	82.0	30		10.0		28.0	D-6594	P		SA00727WI Air Plains	90
182J "Skylane"		IO-550 series (TCM)	P4014808-14	D3A34C401/90DFA-8	82.0	80.0	30		10.4		28.5	D-6594	P		SA00727WI Air Plains	
182J "Skylane"		IO-550 series (TCM)	P4014808-04	D3A34C401/90DFA-10	80.0	80.0	30		10.4		28.5	D-6594	P		SA00727WI Air Plains	89
182K "Skylane"	L	O-470-R (TCM)	OBSOLETE	2A34C66/90AT-8	82.0	80.0	36		10.5		22.0			C290D3/T1 C290D2/T1		1
182K "Skylane"	L	O-470-R (TCM)	P2017294-51	2A34C201/90DA-8	82.0	80.0	30		13.0		24.5			C290D3/T1 C290D2/T1	SA2253CE Northwest	
182K "Skylane"	L	O-470-R (TCM)	P2033909-51	2A34C203/90DCA-8	82.0	80.5	30		12.5		25.0			C290D3/T1 C290D2/T1		21
182K "Skylane"	L	O-470-R (TCM)	P2033909-56	2A34C203/90DCA-8	82.0	80.5	30		12.5		25.0	D-7520	P	C290D3/T1 C290D2/T1	SA01033CH McCaughey PL60288	
182K "Skylane"	L	O-470-R (TCM)	P2033909-51	2A34C203/90DCA-8	82.0	80.5	30		12.5		25.0			C290D3/T1 C290D2/T1	SA2253CE Northwest	
182K "Skylane"	L	O-470-R (TCM)	P2033909-51	2A34C203/90DCA-8	82.0	80.5	30		12.5		25.0			C290D3/T1 C290D2/T1	SA5882SW US Prop of Connecticut	
182K "Skylane"	L	O-470-R (TCM)	P2033909-51 P2033909-56	2A34C203/90DCA-8	82.0	80.5	30		12.5		25.0			C290D3/T1 C290D2/T1	SA3238NM American	
182K "Skylane"	L	O-470-R (TCM)		C2A34C204/90DCB-8	82.0	80.5	30		12.5					C290D3/T1 C290D2/T1	SA2253CE Northwest	
182K "Skylane"		O-470-R (TCM)	P4114808-02	D3A32C411/82NDA-2	80.0	78.0	30		11.0		25.6	D-6594	P	C290D3/T1 C290D2/T1	SA753NE US Prop of Connecticut	
182K "Skylane"	L	O-470-R (TCM)	P4114808-02	D3A32C411/82NDA-2	80.0	78.0	30		11.0		25.6	D-6594	P	C290D3/T1 C290D2/T1	SA00054WI P.Ponk	
182K "Skylane"	L	O-470-R (TCM)	P4357483-01	D3A36C435/80VEA-0	80.0	78.0	30		10.8		33.9	D-7515	P	C290D3/T1 C290D2/T1	SA00819CH McCaughey PL60232	
182K "Skylane"		O-470-R (STC)	OBSOLETE	2A34C66/90AT-8	82.0	80.0	30		13.0		28.4				SA1598CE Air Plains	1
182K "Skylane"		O-470-R (STC)	P2033909-55	2A34C203/90DCA-8	82.0	80.5	30		12.5		29.0				SA1598CE Air Plains	

Constant Speed Propeller Applications

Aircraft		Engine		Model	Diameter		Ref		Blade Angles			Spinner		Governors	STC Number STC Holder STC Kit P/N	Notes
Model	T Y P E	Model (Make)	Part Number		Max	Min	Sta	Rev	Low or Flight Idle	Latch or Start Locks	High or Feather	Assembly P/N	T y p e			
182K "Skylane"		O-470-R (STC)	P4114808-04	D3A34C411/82NDA-2	80.0	77.0	30		11.0		29.0				SA1598CE Air Plains	
182K "Skylane"		O-470-S (STC)	OBSOLETE	2A34C66/90AT-8	82.0	80.0	30		13.0		28.4				SA1598CE Air Plains	1
182K "Skylane"		O-470-S (STC)	P2033909-55	2A34C203/90DCA-8	82.0	80.5	30		12.5		29.0				SA1598CE Air Plains	
182K "Skylane"		O-470-S (STC)	P4114808-04	D3A34C411/82NDA-2	80.0	77.0	30		11.0		29.0				SA1598CE Air Plains	
182K "Skylane"		O-470-U (TCM)	P2043909-52	C2A34C204/90DCB-8	82.0	80.5	30		15.0		29.4				SA01581AT John Jewell	
182K "Skylane"		O-470-U-TS (STC)		C2A34C204/90DCB-8	82.0	80.5	30		10.4		29.4				SA8951SW Texas Skyways	
182K "Skylane"		O-470-50 (STC)	OBSOLETE	D2A34C58/90AT-8	82.0		36		9.5		25.8				SA5664NM P. Ponk	1
182K "Skylane"		O-470-50 (STC)	OBSOLETE	2A34C66/90AT-8	82.0		36								SA5664NM P. Ponk	1
182K "Skylane"		O-470-50 (STC)	OBSOLETE	D3A32C90/82NC-2	80.0		30								SA5664NM P. Ponk	1
182K "Skylane"		O-470-50 (STC)		D2A37C230/90REB-8	82.0		30		12.8		28.3				SA5664NM P. Ponk	
182K "Skylane"		O-470-50 (STC)		D3A34C401/90DFA-10	80.0	78.5	30		10.4		28.0				SA5664NM P. Ponk	
182K "Skylane"		IO-470-F (STC)		2A34C50/90A-8	82.0		36								SA3825SW Peterson	
182K "Skylane"		IO-470-F (STC)		D2A34C58/90AT-8	82.0		36								SA3825SW Peterson	
182K "Skylane"		IO-470-F (STC)		2A34C66/90AT-8	82.0		36								SA3825SW Peterson	
182K "Skylane"		O-520-F-TS (STC)		B2A37C238/90REA-4	86.0	84.5	30		10.9		29.5				SA09558SC Texas Skyways	
182K "Skylane"		O-520-F-TS (STC)	P4014808-04	D3A34C401/90DFA-10	80.0	76.0	30		10.4		28.5	D-6594	P		SA09026SC Texas Skyways	
182K "Skylane"		O-520-U-TS (STC)	P4014808-04	D3A34C401/90DFA-10	80.0	76.0	30		10.4		28.5	D-6594	P		SA09026SC Texas Skyways	
182K "Skylane"		IO-520-D (TCM)	OBSOLETE	D2A34C58/90AT-8	82.0	80.5	36		9.5		25.8				SA461NW P. Ponk	1
182K "Skylane"		IO-520-D (TCM)	OBSOLETE	D3A32C90/82NC-2	80.0	74.0	30		10.4		28.0				SA461NW P. Ponk	1
182K "Skylane"		IO-520-D (TCM)		D3A34C401/90DFA-10	80.0	78.5	30								SA01302AT John Jewell	
182K "Skylane"		IO-520 series (TCM)	P4014808-09	D3A34C401/90DFA-2	88.0	86.0	30		10.0		28.5	D-6594	P		SA00727WI Air Plains	88
182K "Skylane"		IO-520 series (TCM)	P4014808-12	D3A34C401/90DFA-4	86.0	84.0	30		10.0		28.0	D-6594	P		SA00727WI Air Plains	84
182K "Skylane"		IO-520 series (TCM)	P4014808-13	D3A34C401/90DFA-6	84.0	82.0	30		10.0		28.0	D-6594	P		SA00727WI Air Plains	
182K "Skylane"		IO-520 series (TCM)	P4014808-14	D3A34C401/90DFA-8	82.0	80.0	30		10.4		28.5	D-6594	P		SA00727WI Air Plains	

Constant Speed Propeller Applications

Aircraft		Engine		Model	Diameter		Ref		Blade Angles			Spinner		Governors	STC Number STC Holder STC Kit P/N	Notes
Model	T Y P E	Model (Make)	Part Number		Max	Min	Sta	Rev	Low or Flight Idle	Latch or Start Locks	High or Feather	Assembly P/N	T y p e			
182K "Skylane"		IO-520 series (TCM)	P4014808-04	D3A34C401/90DFA-10	80.0	80.0	30		10.4		28.5	D-6594	P		SA00727WI Air Plains	89
182K "Skylane"		O-550-F-TS (STC)		B2A37C238/90REA-4	86.0	84.5	30		10.9		29.5				SA09558SC Texas Skyways	
182K "Skylane"		O-550-F-TS (STC)		D3A34C401/90DFA-10	80.0	76.0	30		10.0		28.5	D-6594	P		SA09133SC Texas Skyways	
182K "Skylane"	L	IO-550-D (TCM)		D3A34C401/90DFA-10	80.0	78.5	30								SA01218AT John Jewell	
182K "Skylane"		IO-550 series (TCM)	P4014808-09	D3A34C401/90DFA-2	88.0	86.0	30		10.0		28.5	D-6594	P		SA00727WI Air Plains	88
182K "Skylane"		IO-550 series (TCM)	P4014808-12	D3A34C401/90DFA-4	86.0	84.0	30		10.0		28.0	D-6594	P		SA00727WI Air Plains	84
182K "Skylane"		IO-550 series (TCM)	P4014808-13	D3A34C401/90DFA-6	84.0	82.0	30		10.0		28.0	D-6594	P		SA00727WI Air Plains	90
182K "Skylane"		IO-550 series (TCM)	P4014808-14	D3A34C401/90DFA-8	82.0	80.0	30		10.4		28.5	D-6594	P		SA00727WI Air Plains	
182K "Skylane"		IO-550 series (TCM)	P4014808-04	D3A34C401/90DFA-10	80.0	80.0	30		10.4		28.5	D-6594	P		SA00727WI Air Plains	89
182L "Skylane"	L	O-470-R (TCM)	OBSOLETE	2A34C66/90AT-8	82.0	80.0	36		10.5		22.0			C290D3/T1 C290D2/T1		1
182L "Skylane"	L	O-470-R (TCM)	P2017294-51	2A34C201/90DA-8	82.0	80.0	30		13.0		24.5			C290D3/T1 C290D2/T1	SA2253CE Northwest	
182L "Skylane"	L	O-470-R (TCM)	P2033909-51	2A34C203/90DCA-8	82.0	80.5	30		12.5		25.0			C290D3/T1 C290D2/T1		21
182L "Skylane"	L	O-470-R (TCM)	P2033909-56	2A34C203/90DCA-8	82.0	80.5	30		12.5		25.0	D-7520	P	C290D3/T1 C290D2/T1	SA01033CH McCaughey PL60288	
182L "Skylane"	L	O-470-R (TCM)	P2033909-51	2A34C203/90DCA-8	82.0	80.5	30		12.5		25.0			C290D3/T1 C290D2/T1	SA2253CE Northwest	
182L "Skylane"	L	O-470-R (TCM)	P2033909-51	2A34C203/90DCA-8	82.0	80.5	30		12.5		25.0			C290D3/T1 C290D2/T1	SA5882SW US Prop of Connecticut	
182L "Skylane"	L	O-470-R (TCM)	P2033909-51 P2033909-56	2A34C203/90DCA-8	82.0	80.5	30		12.5		25.0			C290D3/T1 C290D2/T1	SA3238NM American	
182L "Skylane"	L	O-470-R (TCM)		C2A34C204/90DCB-8	82.0	80.5	30		12.5					C290D3/T1 C290D2/T1	SA2253CE Northwest	
182L "Skylane"		O-470-R (TCM)	P4114808-02	D3A32C411/82NDA-2	80.0	78.0	30		11.0		25.6	D-6594	P	C290D3/T1 C290D2/T1	SA753NE US Prop of Connecticut	
182L "Skylane"	L	O-470-R (TCM)	P4114808-02	D3A32C411/82NDA-2	80.0	78.0	30		11.0		25.6	D-6594	P	C290D3/T1 C290D2/T1	SA00054WI P.Ponk	
182L "Skylane"	L	O-470-R (TCM)	P4357483-01	D3A36C435/80VEA-0	80.0	78.0	30		10.8		33.9	D-7515	P	C290D3/T1 C290D2/T1	SA00819CH McCaughey PL60232	
182L "Skylane"		O-470-R (STC)	OBSOLETE	2A34C66/90AT-8	82.0	80.0	30		13.0		28.4				SA1598CE Air Plains	1
182L "Skylane"		O-470-R (STC)	P2033909-55	2A34C203/90DCA-8	82.0	80.5	30		12.5		29.0				SA1598CE Air Plains	
182L "Skylane"		O-470-R (STC)	P4114808-04	D3A34C411/82NDA-2	80.0	77.0	30		11.0		29.0				SA1598CE Air Plains	

Constant Speed Propeller Applications

Aircraft		Engine		Model	Diameter		Ref		Blade Angles			Spinner		Governors	STC Number STC Holder STC Kit P/N	Notes
Model	TYPE	Model (Make)	Part Number		Max	Min	Sta	Rev	Low or Flight Idle	Latch or Start Locks	High or Feather	Assembly P/N	Type			
182L "Skylane"		O-470-S (STC)	OBSOLETE	2A34C66/90AT-8	82.0	80.0	30		13.0		28.4				SA1598CE Air Plains	1
182L "Skylane"		O-470-S (STC)	P2033909-55	2A34C203/90DCA-8	82.0	80.5	30		12.5		29.0				SA1598CE Air Plains	
182L "Skylane"		O-470-S (STC)	P4114808-04	D3A34C411/82NDA-2	80.0	77.0	30		11.0		29.0				SA1598CE Air Plains	
182L "Skylane"		O-470-U (TCM)	P2043909-52	C2A34C204/90DCB-8	82.0	80.5	30		15.0		29.4				SA01581AT John Jewell	
182L "Skylane"		O-470-U-TS (STC)		C2A34C204/90DCB-8	82.0	80.5	30		10.4		29.4				SA8951SW Texas Skyways	
182L "Skylane"		O-470-50 (STC)	OBSOLETE	D2A34C58/90AT-8	82.0		36		9.5		25.8				SA5664NM P. Ponk	1
182L "Skylane"		O-470-50 (STC)	OBSOLETE	2A34C66/90AT-8	82.0		36								SA5664NM P. Ponk	1
182L "Skylane"		O-470-50 (STC)	OBSOLETE	D3A32C90/82NC-2	80.0		30								SA5664NM P. Ponk	1
182L "Skylane"		O-470-50 (STC)		D2A37C230/90REB-8	82.0		30		12.8		28.3				SA5664NM P. Ponk	
182L "Skylane"		O-470-50 (STC)		D3A34C401/90DFA-10	80.0	78.5	30		10.4		28.0				SA5664NM P. Ponk	
182L "Skylane"		IO-470-F (STC)		2A34C50/90A-8	82.0		36								SA3825SW Peterson	
182L "Skylane"		IO-470-F (STC)		D2A34C58/90AT-8	82.0		36								SA3825SW Peterson	
182L "Skylane"		IO-470-F (STC)		2A34C66/90AT-8	82.0		36								SA3825SW Peterson	
182L "Skylane"		O-520-F-TS (STC)		B2A37C238/90REA-4	86.0	84.5	30		10.9		29.5				SA09558SC Texas Skyways	
182L "Skylane"		O-520-F-TS (STC)	P4014808-04	D3A34C401/90DFA-10	80.0	76.0	30		10.4		28.5	D-6594	P		SA09026SC Texas Skyways	
182L "Skylane"		O-520-U-TS (STC)	P4014808-04	D3A34C401/90DFA-10	80.0	76.0	30		10.4		28.5	D-6594	P		SA09026SC Texas Skyways	
182L "Skylane"		IO-520-D (TCM)	OBSOLETE	D2A34C58/90AT-8	82.0	80.5	36		9.5		25.8				SA461NW P. Ponk	1
182L "Skylane"		IO-520-D (TCM)	OBSOLETE	D3A32C90/82NC-2	80.0	74.0	30		10.4		28.0				SA461NW P. Ponk	1
182L "Skylane"		IO-520-D (TCM)		D3A34C401/90DFA-10	80.0	78.5	30								SA01302AT John Jewell	
182L "Skylane"		IO-520 series (TCM)	P4014808-09	D3A34C401/90DFA-2	88.0	86.0	30		10.0		28.5	D-6594	P		SA00727WI Air Plains	88
182L "Skylane"		IO-520 series (TCM)	P4014808-12	D3A34C401/90DFA-4	86.0	84.0	30		10.0		28.0	D-6594	P		SA00727WI Air Plains	84
182L "Skylane"		IO-520 series (TCM)	P4014808-13	D3A34C401/90DFA-6	84.0	82.0	30		10.0		28.0	D-6594	P		SA00727WI Air Plains	
182L "Skylane"		IO-520 series (TCM)	P4014808-14	D3A34C401/90DFA-8	82.0	80.0	30		10.4		28.5	D-6594	P		SA00727WI Air Plains	
182L "Skylane"		IO-520 series (TCM)	P4014808-04	D3A34C401/90DFA-10	80.0	80.0	30		10.4		28.5	D-6594	P		SA00727WI Air Plains	89

Constant Speed Propeller Applications

Aircraft		Engine		Model	Diameter		Ref		Blade Angles			Spinner		Governors	STC Number STC Holder STC Kit P/N	Notes
Model	TYPE	Model (Make)	Part Number		Max	Min	Sta	Rev	Low or Flight Idle	Latch or Start Locks	High or Feather	Assembly P/N	Type			
182L "Skylane"		O-550-F-TS (STC)		B2A37C238/90REA-4	86.0	84.5	30		10.9		29.5				SA09558SC Texas Skyways	
182L "Skylane"		O-550-F-TS (STC)		D3A34C401/90DFA-10	80.0	76.0	30		10.0		28.5	D-6594	P		SA09133SC Texas Skyways	
182L "Skylane"	L	IO-550-D (TCM)		D3A34C401/90DFA-10	80.0	78.5	30								SA01218AT John Jewell	
182L "Skylane"		IO-550 series (TCM)	P4014808-09	D3A34C401/90DFA-2	88.0	86.0	30		10.0		28.5	D-6594	P		SA00727WI Air Plains	88
182L "Skylane"		IO-550 series (TCM)	P4014808-12	D3A34C401/90DFA-4	86.0	84.0	30		10.0		28.0	D-6594	P		SA00727WI Air Plains	84
182L "Skylane"		IO-550 series (TCM)	P4014808-13	D3A34C401/90DFA-6	84.0	82.0	30		10.0		28.0	D-6594	P		SA00727WI Air Plains	90
182L "Skylane"		IO-550 series (TCM)	P4014808-14	D3A34C401/90DFA-8	82.0	80.0	30		10.4		28.5	D-6594	P		SA00727WI Air Plains	
182L "Skylane"		IO-550 series (TCM)	P4014808-04	D3A34C401/90DFA-10	80.0	80.0	30		10.4		28.5	D-6594	P		SA00727WI Air Plains	89
182M "Skylane"	L	O-470-R (TCM)	OBSOLETE	2A34C66/90AT-8	82.0	80.0	36		10.5		22.0			C290D3/T1 C290D2/T1		1
182M "Skylane"	L	O-470-R (TCM)	P2017294-51	2A34C201/90DA-8	82.0	80.0	30		13.0		24.5			C290D3/T1 C290D2/T1		
182M "Skylane"	L	O-470-R (TCM)	P2017294-51	2A34C201/90DA-8	82.0	80.0	30		13.0		24.5			C290D3/T1 C290D2/T1	SA2253CE Northwest	
182M "Skylane"	L	O-470-R (TCM)	P2033909-51	2A34C203/90DCA-8	82.0	80.5	30		12.5		25.0			C290D3/T1 C290D2/T1		
182M "Skylane"	L	O-470-R (TCM)	P2033909-51	2A34C203/90DCA-8	82.0	80.5	30		12.5		25.0			C290D3/T1 C290D2/T1	SA2253CE Northwest	
182M "Skylane"	L	O-470-R (TCM)		C2A34C204/90DCB-8	82.0	80.5	30		12.5					C290D3/T1 C290D2/T1	SA2253CE Northwest	
182M "Skylane"		O-470-R (TCM)	P4114808-02	D3A32C411/82NDA-2	80.0	78.0	30		11.0		25.6	D-6594	P	C290D3/T1 C290D2/T1	SA753NE US Prop of Connecticut	
182M "Skylane"	L	O-470-R (TCM)	P4114808-02	D3A32C411/82NDA-2	80.0	78.0	30		11.0		25.6	D-6594	P	C290D3/T1 C290D2/T1	SA00054WI P.Ponk	
182M "Skylane"	L	O-470-R (TCM)	P4357483-01	D3A36C435/80VEA-0	80.0	78.0	30		10.8		33.9	D-7515	P	C290D3/T1 C290D2/T1	SA00819CH McCauley PL60232	
182M "Skylane"		O-470-R (STC)	OBSOLETE	2A34C66/90AT-8	82.0	80.0	30		13.0		28.4				SA1598CE Air Plains	1
182M "Skylane"		O-470-R (STC)	P2033909-55	2A34C203/90DCA-8	82.0	80.5	30		12.5		29.0				SA1598CE Air Plains	
182M "Skylane"		O-470-R (STC)	P4114808-04	D3A34C411/82NDA-2	80.0	77.0	30		11.0		29.0				SA1598CE Air Plains	
182M "Skylane"		O-470-S (STC)	OBSOLETE	2A34C66/90AT-8	82.0	80.0	30		13.0		28.4				SA1598CE Air Plains	1
182M "Skylane"		O-470-S (STC)	P2033909-55	2A34C203/90DCA-8	82.0	80.5	30		12.5		29.0				SA1598CE Air Plains	
182M "Skylane"		O-470-S (STC)	P4114808-04	D3A34C411/82NDA-2	80.0	77.0	30		11.0		29.0				SA1598CE Air Plains	
182M "Skylane"		O-470-U (TCM)	P2043909-52	C2A34C204/90DCB-8	82.0	80.5	30		15.0		29.4				SA01581AT John Jewell	

Constant Speed Propeller Applications

Aircraft		Engine		Part Number	Model	Diameter		Ref		Blade Angles			Spinner		Governors	STC Number STC Holder STC Kit P/N	Notes
Model	TYPE	Model (Make)	Model			Max	Min	Sta	Rev	Low or Flight Idle	Latch or Start Locks	High or Feather	Assembly P/N	Type			
182M "Skylane"		O-470-U-TS (STC)			C2A34C204/90DCB-8	82.0	80.5	30		10.4		29.4				SA8951SW Texas Skyways	
182M "Skylane"		O-470-50 (STC)	OBSOLETE		D2A34C58/90AT-8	82.0		36		9.5		25.8				SA5664NM P. Ponk	1
182M "Skylane"		O-470-50 (STC)	OBSOLETE		2A34C66/90AT-8	82.0		36								SA5664NM P. Ponk	1
182M "Skylane"		O-470-50 (STC)	OBSOLETE		D3A32C90/82NC-2	80.0		30								SA5664NM P. Ponk	1
182M "Skylane"		O-470-50 (STC)			D2A37C230/90REB-8	82.0		30		12.8		28.3				SA5664NM P. Ponk	
182M "Skylane"		O-470-50 (STC)			D3A34C401/90DFA-10	80.0	78.5	30		10.4		28.0				SA5664NM P. Ponk	
182M "Skylane"		IO-470-F (STC)			2A34C50/90A-8	82.0		36								SA3825SW Peterson	
182M "Skylane"		IO-470-F (STC)			D2A34C58/90AT-8	82.0		36								SA3825SW Peterson	
182M "Skylane"		IO-470-F (STC)			2A34C66/90AT-8	82.0		36								SA3825SW Peterson	
182M "Skylane"		O-520-F-TS (STC)			B2A37C238/90REA-4	86.0	84.5	30		10.9		29.5				SA09558SC Texas Skyways	
182M "Skylane"		O-520-F-TS (STC)	P4014808-04		D3A34C401/90DFA-10	80.0	76.0	30		10.4		28.5	D-6594	P		SA09026SC Texas Skyways	
182M "Skylane"		O-520-U-TS (STC)	P4014808-04		D3A34C401/90DFA-10	80.0	76.0	30		10.4		28.5	D-6594	P		SA09026SC Texas Skyways	
182M "Skylane"		IO-520-D (TCM)	OBSOLETE		D2A34C58/90AT-8	82.0	80.5	36		9.5		25.8				SA461NW P. Ponk	1
182M "Skylane"		IO-520-D (TCM)	OBSOLETE		D3A32C90/82NC-2	80.0	74.0	30		10.4		28.0				SA461NW P. Ponk	1
182M "Skylane"		IO-520-D (TCM)			D3A34C401/90DFA-10	80.0	78.5	30								SA01302AT John Jewell	
182M "Skylane"		IO-520 series (TCM)	P4014808-09		D3A34C401/90DFA-2	88.0	86.0	30		10.0		28.5	D-6594	P		SA00727WI Air Plains	88
182M "Skylane"		IO-520 series (TCM)	P4014808-12		D3A34C401/90DFA-4	86.0	84.0	30		10.0		28.0	D-6594	P		SA00727WI Air Plains	84
182M "Skylane"		IO-520 series (TCM)	P4014808-13		D3A34C401/90DFA-6	84.0	82.0	30		10.0		28.0	D-6594	P		SA00727WI Air Plains	
182M "Skylane"		IO-520 series (TCM)	P4014808-14		D3A34C401/90DFA-8	82.0	80.0	30		10.4		28.5	D-6594	P		SA00727WI Air Plains	
182M "Skylane"		IO-520 series (TCM)	P4014808-04		D3A34C401/90DFA-10	80.0	80.0	30		10.4		28.5	D-6594	P		SA00727WI Air Plains	89
182M "Skylane"		O-550-F-TS (STC)			B2A37C238/90REA-4	86.0	84.5	30		10.9		29.5				SA09558SC Texas Skyways	
182M "Skylane"		O-550-F-TS (STC)			D3A34C401/90DFA-10	80.0	76.0	30		10.0		28.5	D-6594	P		SA09133SC Texas Skyways	
182M "Skylane"	L	IO-550-D (TCM)			D3A34C401/90DFA-10	80.0	78.5	30								SA01218AT John Jewell	

Constant Speed Propeller Applications

Aircraft		Engine		Model	Diameter		Ref		Blade Angles			Spinner		Governors	STC Number STC Holder STC Kit P/N	Notes
Model	TYPE	Model (Make)	Part Number		Max	Min	Sta	Rev	Low or Flight Idle	Latch or Start Locks	High or Feather	Assembly P/N	Type			
182M "Skylane"		IO-550 series (TCM)	P4014808-09	D3A34C401/90DFA-2	88.0	86.0	30		10.0		28.5	D-6594	P		SA00727WI Air Plains	88
182M "Skylane"		IO-550 series (TCM)	P4014808-12	D3A34C401/90DFA-4	86.0	84.0	30		10.0		28.0	D-6594	P		SA00727WI Air Plains	84
182M "Skylane"		IO-550 series (TCM)	P4014808-13	D3A34C401/90DFA-6	84.0	82.0	30		10.0		28.0	D-6594	P		SA00727WI Air Plains	90
182M "Skylane"		IO-550 series (TCM)	P4014808-14	D3A34C401/90DFA-8	82.0	80.0	30		10.4		28.5	D-6594	P		SA00727WI Air Plains	
182M "Skylane"		IO-550 series (TCM)	P4014808-04	D3A34C401/90DFA-10	80.0	80.0	30		10.4		28.5	D-6594	P		SA00727WI Air Plains	89
182N "Skylane"	L	O-470-R (TCM)	OBSOLETE	2A34C66/90AT-8	82.0	80.0	36		10.5		22.0			C290D3/T1 C290D2/T1		1
182N "Skylane"	L	O-470-R (TCM)	P2017294-51	2A34C201/90DA-8	82.0	80.0	30		13.0		24.5			C290D3/T1 C290D2/T1		
182N "Skylane"	L	O-470-R (TCM)	P2017294-51	2A34C201/90DA-8	82.0	80.0	30		13.0		24.5			C290D3/T1 C290D2/T1	SA2253CE Northwest	
182N "Skylane"	L	O-470-R (TCM)	P2033909-51	2A34C203/90DCA-8	82.0	80.5	30		12.5		25.0			C290D3/T1 C290D2/T1		
182N "Skylane"	L	O-470-R (TCM)	P2033909-51	2A34C203/90DCA-8	82.0	80.5	30		12.5		25.0			C290D3/T1 C290D2/T1	SA2253CE Northwest	
182N "Skylane"	L	O-470-R (TCM)		C2A34C204/90DCB-8	82.0	80.5	30		12.5					C290D3/T1 C290D2/T1	SA2253CE Northwest	
182N "Skylane"		O-470-R (TCM)	P4114808-02	D3A32C411/82NDA-2	80.0	78.0	30		11.0		25.6	D-6594	P	C290D3/T1 C290D2/T1	SA753NE US Prop of Connecticut	
182N "Skylane"		O-470-R (STC)	OBSOLETE	2A34C66/90AT-8	82.0	80.0	30		13.0		28.4				SA1598CE Air Plains	1
182N "Skylane"		O-470-R (STC)	P2033909-55	2A34C203/90DCA-8	82.0	80.5	30		12.5		29.0				SA1598CE Air Plains	
182N "Skylane"		O-470-R (STC)	P4114808-04	D3A34C411/82NDA-2	80.0	77.0	30		11.0		29.0				SA1598CE Air Plains	
182N "Skylane"	L	O-470-S (TCM)	OBSOLETE	2A34C66/90AT-8	82.0	80.0	36		10.5		22.0			C290D3/T1 C290D2/T1		1
182N "Skylane"	L	O-470-S (TCM)	P2017294-51	2A34C201/90DA-8	82.0	80.0	30		13.0		24.5			C290D3/T1 C290D2/T1		
182N "Skylane"	L	O-470-S (TCM)	P2017294-51	2A34C201/90DA-8	82.0	80.0	30		13.0		24.5			C290D3/T1 C290D2/T1	SA2253CE Northwest	
182N "Skylane"	L	O-470-S (TCM)	P2033909-51	2A34C203/90DCA-8	82.0	80.5	30		12.5		25.0			C290D3/T1 C290D2/T1		
182N "Skylane"	L	O-470-S (TCM)	P2033909-51	2A34C203/90DCA-8	82.0	80.5	30		12.5		25.0			C290D3/T1 C290D2/T1	SA2253CE Northwest	
182N "Skylane"	L	O-470-S (TCM)		C2A34C204/90DCB-8	82.0	80.5	30		12.5					C290D3/T1 C290D2/T1	SA2253CE Northwest	
182N "Skylane"		O-470-S (TCM)	P4114808-02	D3A32C411/82NDA-2	80.0	78.0	30		11.0		25.6	D-6594	P	C290D3/T1 C290D2/T1	SA753NE US Prop of Connecticut	
182N "Skylane"	L	O-470-S (TCM)	P4357483-01	D3A36C435/80VEA-0	80.0	78.0	30		10.8		33.9	D-7515	P	C290D3/T1 C290D2/T1	SA00819CH McCauley PL60232	
182N "Skylane"		O-470-S (STC)	OBSOLETE	2A34C66/90AT-8	82.0	80.0	30		13.0		28.4				SA1598CE Air Plains	1

Constant Speed Propeller Applications

Aircraft		Engine		Model	Diameter		Ref		Blade Angles			Spinner		Governors	STC Number STC Holder STC Kit P/N	Notes
Model	TYPE	Model (Make)	Part Number		Max	Min	Sta	Rev	Low or Flight Idle	Latch or Start Locks	High or Feather	Assembly P/N	Type			
182N "Skylane"		O-470-S (STC)	P2033909-55	2A34C203/90DCA-8	82.0	80.5	30		12.5		29.0				SA1598CE Air Plains	
182N "Skylane"		O-470-S (STC)	P4114808-04	D3A34C411/82NDA-2	80.0	77.0	30		11.0		29.0				SA1598CE Air Plains	
182N "Skylane"		O-470-U (TCM)	P2043909-52	C2A34C204/90DCB-8	82.0	80.5	30		15.0		29.4				SA01581AT John Jewell	
182N "Skylane"		O-470-U-TS (STC)		C2A34C204/90DCB-8	82.0	80.5	30		10.4		29.4				SA8951SW Texas Skyways	
182N "Skylane"		O-470-50 (STC)	OBSOLETE	D2A34C58/90AT-8	82.0		36		9.5		25.8				SA5664NM P. Ponk	1
182N "Skylane"		O-470-50 (STC)	OBSOLETE	2A34C66/90AT-8	82.0		36								SA5664NM P. Ponk	1
182N "Skylane"		O-470-50 (STC)	OBSOLETE	D3A32C90/82NC-2	80.0		30								SA5664NM P. Ponk	1
182N "Skylane"		O-470-50 (STC)		D2A37C230/90REB-8	82.0		30		12.8		28.3				SA5664NM P. Ponk	
182N "Skylane"		O-470-50 (STC)		D3A34C401/90DFA-10	80.0	78.5	30		10.4		28.0				SA5664NM P. Ponk	
182N "Skylane"		IO-470-F (STC)		2A34C50/90A-8	82.0		36								SA3825SW Peterson	
182N "Skylane"		IO-470-F (STC)		D2A34C58/90AT-8	82.0		36								SA3825SW Peterson	
182N "Skylane"		IO-470-F (STC)		2A34C66/90AT-8	82.0		36								SA3825SW Peterson	
182N "Skylane"		O-520-F-TS (STC)		B2A37C238/90REA-4	86.0	84.5	30		10.9		29.5				SA09558SC Texas Skyways	
182N "Skylane"		O-520-F-TS (STC)	P4014808-04	D3A34C401/90DFA-10	80.0	76.0	30		10.4		28.5	D-6594	P		SA09026SC Texas Skyways	
182N "Skylane"		O-520-U-TS (STC)	P4014808-04	D3A34C401/90DFA-10	80.0	76.0	30		10.4		28.5	D-6594	P		SA09026SC Texas Skyways	
182N "Skylane"		IO-520-D (TCM)	OBSOLETE	D2A34C58/90AT-8	82.0	80.5	36		9.5		25.8				SA461NW P. Ponk	1
182N "Skylane"		IO-520-D (TCM)	OBSOLETE	D3A32C90/82NC-2	80.0	74.0	30		10.4		28.0				SA461NW P. Ponk	1
182N "Skylane"		IO-520-D (TCM)		D3A34C401/90DFA-10	80.0	78.5	30								SA01302AT John Jewell	
182N "Skylane"		IO-520 series (TCM)	P4014808-09	D3A34C401/90DFA-2	88.0	86.0	30		10.0		28.5	D-6594	P		SA00727WI Air Plains	88
182N "Skylane"		IO-520 series (TCM)	P4014808-12	D3A34C401/90DFA-4	86.0	84.0	30		10.0		28.0	D-6594	P		SA00727WI Air Plains	84
182N "Skylane"		IO-520 series (TCM)	P4014808-13	D3A34C401/90DFA-6	84.0	82.0	30		10.0		28.0	D-6594	P		SA00727WI Air Plains	
182N "Skylane"		IO-520 series (TCM)	P4014808-14	D3A34C401/90DFA-8	82.0	80.0	30		10.4		28.5	D-6594	P		SA00727WI Air Plains	
182N "Skylane"		IO-520 series (TCM)	P4014808-04	D3A34C401/90DFA-10	80.0	80.0	30		10.4		28.5	D-6594	P		SA00727WI Air Plains	89

Constant Speed Propeller Applications

Aircraft		Engine			Diameter		Ref	Blade Angles				Spinner		Governors	STC Number STC Holder STC Kit P/N	Notes
Model	TYPE	Model (Make)	Part Number	Model	Max	Min	Sta	Rev	Low or Flight Idle	Latch or Start Locks	High or Feather	Assembly P/N	Type			
182N "Skylane"		O-550-F-TS (STC)		B2A37C238/90REA-4	86.0	84.5	30		10.9		29.5				SA09558SC Texas Skyways	
182N "Skylane"		O-550-F-TS (STC)		D3A34C401/90DFA-10	80.0	76.0	30		10.0		28.5	D-6594	P		SA09133SC Texas Skyways	
182N "Skylane"	L	IO-550-D (TCM)		D3A34C401/90DFA-10	80.0	78.5	30								SA01218AT John Jewell	
182N "Skylane"		IO-550 series (TCM)	P4014808-09	D3A34C401/90DFA-2	88.0	86.0	30		10.0		28.5	D-6594	P		SA00727WI Air Plains	88
182N "Skylane"		IO-550 series (TCM)	P4014808-12	D3A34C401/90DFA-4	86.0	84.0	30		10.0		28.0	D-6594	P		SA00727WI Air Plains	84
182N "Skylane"		IO-550 series (TCM)	P4014808-13	D3A34C401/90DFA-6	84.0	82.0	30		10.0		28.0	D-6594	P		SA00727WI Air Plains	90
182N "Skylane"		IO-550 series (TCM)	P4014808-14	D3A34C401/90DFA-8	82.0	80.0	30		10.4		28.5	D-6594	P		SA00727WI Air Plains	
182N "Skylane"		IO-550 series (TCM)	P4014808-04	D3A34C401/90DFA-10	80.0	80.0	30		10.4		28.5	D-6594	P		SA00727WI Air Plains	89
182P "Skylane"	L	O-470-R (TCM)	OBSOLETE	2A34C66/90AT-8	82.0	80.0	36		10.5		22.0			C290D3/T1 C290D2/T1		1
182P "Skylane"	L	O-470-R (TCM)	P2017294-51	2A34C201/90DA-8	82.0	80.0	30		13.0		24.5			C290D3/T1 C290D2/T1		
182P "Skylane"	L	O-470-R (TCM)	P2017294-51	2A34C201/90DA-8	82.0	80.0	30		13.0		24.5			C290D3/T1 C290D2/T1	SA2253CE Northwest	
182P "Skylane"	L	O-470-R (TCM)	P2033909-51	2A34C203/90DCA-8	82.0	80.5	30		12.5		25.0			C290D3/T1 C290D2/T1		
182P "Skylane"	L	O-470-R (TCM)	P2033909-51	2A34C203/90DCA-8	82.0	80.5	30		12.5		25.0			C290D3/T1 C290D2/T1	SA2253CE Northwest	
182P "Skylane"	L	O-470-R (TCM)		C2A34C204/90DCB-8	82.0	80.5	30		12.5					C290D3/T1 C290D2/T1	SA2253CE Northwest	
182P "Skylane"		O-470-R (TCM)	P4114808-02	D3A32C411/82NDA-2	80.0	78.0	30		11.0		25.6	D-6594	P	C290D3/T1 C290D2/T1	SA753NE US Prop of Connecticut	
182P "Skylane"	L	O-470-R (TCM)	P4114808-02	D3A32C411/82NDA-2	80.0	78.0	30		11.0		25.6	D-6594	P	C290D3/T1 C290D2/T1	SA00054WI P.Ponk	
182P "Skylane"	L	O-470-R (TCM)	P4357483-01	D3A36C435/80VEA-0	80.0	78.0	30		10.8		33.9	D-7515	P	C290D3/T1 C290D2/T1	SA00819CH McCauley PL60232	
182P "Skylane"		O-470-R (STC)	OBSOLETE	2A34C66/90AT-8	82.0	80.0	30		13.0		28.4				SA1598CE Air Plains	1
182P "Skylane"		O-470-R (STC)	P2033909-55	2A34C203/90DCA-8	82.0	80.5	30		12.5		29.0				SA1598CE Air Plains	
182P "Skylane"		O-470-R (STC)	P4114808-04	D3A34C411/82NDA-2	80.0	77.0	30		11.0		29.0				SA1598CE Air Plains	
182P "Skylane"	L	O-470-S (TCM)	OBSOLETE	2A34C66/90AT-8	82.0	80.0	36		10.5		22.0			C290D3/T1 C290D2/T1		1
182P "Skylane"	L	O-470-S (TCM)	P2017294-51	2A34C201/90DA-8	82.0	80.0	30		13.0		24.5			C290D3/T1 C290D2/T1		
182P "Skylane"	L	O-470-S (TCM)	P2017294-51	2A34C201/90DA-8	82.0	80.0	30		13.0		24.5			C290D3/T1 C290D2/T1	SA2253CE Northwest	
182P "Skylane"	L	O-470-S (TCM)	P2033909-51	2A34C203/90DCA-8	82.0	80.5	30		12.5		25.0			C290D3/T1 C290D2/T1		

Constant Speed Propeller Applications

Aircraft		Engine			Diameter		Ref	Blade Angles				Spinner		Governors	STC Number STC Holder STC Kit P/N	Notes
Model	T Y P E	Model (Make)	Part Number	Model	Max	Min	Sta	Rev	Low or Flight Idle	Latch or Start Locks	High or Feather	Assembly P/N	T y p e			
182P "Skylane"	L	O-470-S (TCM)	P2033909-51	2A34C203/90DCA-8	82.0	80.5	30		12.5		25.0			C290D3/T1 C290D2/T1	SA2253CE Northwest	
182P "Skylane"	L	O-470-S (TCM)		C2A34C204/90DCB-8	82.0	80.5	30		12.5					C290D3/T1 C290D2/T1	SA2253CE Northwest	
182P "Skylane"		O-470-S (TCM)	P4114808-02	D3A32C411/82NDA-2	80.0	78.0	30		11.0		25.6	D-6594	P	C290D3/T1 C290D2/T1	SA753NE US Prop of Connecticut	
182P "Skylane"	L	O-470-S (TCM)	P4114808-02	D3A32C411/82NDA-2	80.0	78.0	30		11.0		25.6	D-6594	P	C290D3/T1 C290D2/T1	SA00054WI P.Ponk	
182P "Skylane"	L	O-470-S (TCM)	P4357483-01	D3A36C435/80VEA-0	80.0	78.0	30		10.8		33.9	D-7515	P	C290D3/T1 C290D2/T1	SA00819CH McCaughey PL60232	
182P "Skylane"		O-470-S (STC)	OBSOLETE	2A34C66/90AT-8	82.0	80.0	30		13.0		28.4				SA1598CE Air Plains	1
182P "Skylane"		O-470-S (STC)	P2033909-55	2A34C203/90DCA-8	82.0	80.5	30		12.5		29.0				SA1598CE Air Plains	
182P "Skylane"		O-470-S (STC)	P4114808-04	D3A34C411/82NDA-2	80.0	77.0	30		11.0		29.0				SA1598CE Air Plains	
182P "Skylane"		O-470-U (TCM)	P2043909-52	C2A34C204/90DCB-8	82.0	80.5	30		15.0		29.4				SA01581AT John Jewell	
182P "Skylane"		O-470-U-TS (STC)		C2A34C204/90DCB-8	82.0	80.5	30		10.4		29.4				SA8951SW Texas Skyways	
182P "Skylane"		O-470-50 (STC)	OBSOLETE	D2A34C58/90AT-8	82.0		36		9.5		25.8				SA5664NM P. Ponk	1
182P "Skylane"		O-470-50 (STC)	OBSOLETE	2A34C66/90AT-8	82.0		36								SA5664NM P. Ponk	1
182P "Skylane"		O-470-50 (STC)	OBSOLETE	D3A32C90/82NC-2	80.0		30								SA5664NM P. Ponk	1
182P "Skylane"		O-470-50 (STC)		D2A37C230/90REB-8	82.0		30		12.8		28.3				SA5664NM P. Ponk	
182P "Skylane"		O-470-50 (STC)		D3A34C401/90DFA-10	80.0	78.5	30		10.4		28.0				SA5664NM P. Ponk	
182P "Skylane"		IO-470-F (STC)		2A34C50/90A-8	82.0		36								SA3825SW Peterson	
182P "Skylane"		IO-470-F (STC)		D2A34C58/90AT-8	82.0		36								SA3825SW Peterson	
182P "Skylane"		IO-470-F (STC)		2A34C66/90AT-8	82.0		36								SA3825SW Peterson	
182P "Skylane"		O-520-F-TS (STC)		B2A37C238/90REA-4	86.0	84.5	30		10.9		29.5				SA09558SC Texas Skyways	
182P "Skylane"		O-520-F-TS (STC)	P4014808-04	D3A34C401/90DFA-10	80.0	76.0	30		10.4		28.5	D-6594	P		SA09026SC Texas Skyways	
182P "Skylane"		O-520-U-TS (STC)	P4014808-04	D3A34C401/90DFA-10	80.0	76.0	30		10.4		28.5	D-6594	P		SA09026SC Texas Skyways	
182P "Skylane"		IO-520-D (TCM)	OBSOLETE	D2A34C58/90AT-8	82.0	80.5	36		9.5		25.8				SA461NW P. Ponk	1
182P "Skylane"		IO-520-D (TCM)	OBSOLETE	D3A32C90/82NC-2	80.0	74.0	30		10.4		28.0				SA461NW P. Ponk	1

Constant Speed Propeller Applications

Aircraft		Engine		Model	Diameter		Ref	Blade Angles				Spinner		Governors	STC Number STC Holder STC Kit P/N	Notes
Model	T Y P E	Model (Make)	Part Number		Max	Min		Sta	Rev	Low or Flight Idle	Latch or Start Locks	High or Feather	Assembly P/N			
182P "Skylane"		IO-520-D (TCM)		D3A34C401/90DFA-10	80.0	78.5	30							SA01302AT John Jewell		
182P "Skylane"		IO-520 series (TCM)	P4014808-09	D3A34C401/90DFA-2	88.0	86.0	30		10.0		28.5	D-6594	P	SA00727WI Air Plains	88	
182P "Skylane"		IO-520 series (TCM)	P4014808-12	D3A34C401/90DFA-4	86.0	84.0	30		10.0		28.0	D-6594	P	SA00727WI Air Plains	84	
182P "Skylane"		IO-520 series (TCM)	P4014808-13	D3A34C401/90DFA-6	84.0	82.0	30		10.0		28.0	D-6594	P	SA00727WI Air Plains		
182P "Skylane"		IO-520 series (TCM)	P4014808-14	D3A34C401/90DFA-8	82.0	80.0	30		10.4		28.5	D-6594	P	SA00727WI Air Plains		
182P "Skylane"		IO-520 series (TCM)	P4014808-04	D3A34C401/90DFA-10	80.0	80.0	30		10.4		28.5	D-6594	P	SA00727WI Air Plains	89	
182P "Skylane"		O-550-F-TS (STC)		B2A37C238/90REA-4	86.0	84.5	30		10.9		29.5			SA09558SC Texas Skyways		
182P "Skylane"		O-550-F-TS (STC)		D3A34C401/90DFA-10	80.0	76.0	30		10.0		28.5	D-6594	P	SA09133SC Texas Skyways		
182P "Skylane"	L	IO-550-D (TCM)		D3A34C401/90DFA-10	80.0	78.5	30							SA01218AT John Jewell		
182P "Skylane"		IO-550 series (TCM)	P4014808-09	D3A34C401/90DFA-2	88.0	86.0	30		10.0		28.5	D-6594	P	SA00727WI Air Plains	88	
182P "Skylane"		IO-550 series (TCM)	P4014808-12	D3A34C401/90DFA-4	86.0	84.0	30		10.0		28.0	D-6594	P	SA00727WI Air Plains	84	
182P "Skylane"		IO-550 series (TCM)	P4014808-13	D3A34C401/90DFA-6	84.0	82.0	30		10.0		28.0	D-6594	P	SA00727WI Air Plains	90	
182P "Skylane"		IO-550 series (TCM)	P4014808-14	D3A34C401/90DFA-8	82.0	80.0	30		10.4		28.5	D-6594	P	SA00727WI Air Plains		
182P "Skylane"		IO-550 series (TCM)	P4014808-04	D3A34C401/90DFA-10	80.0	80.0	30		10.4		28.5	D-6594	P	SA00727WI Air Plains	89	
182Q "Skylane"		O-470-R (STC)	OBSOLETE	2A34C66/90AT-8	82.0	80.0	30		13.0		28.4			SA1598CE Air Plains	1	
182Q "Skylane"		O-470-R (STC)	P2033909-55	2A34C203/90DCA-8	82.0	80.5	30		12.5		29.0			SA1598CE Air Plains		
182Q "Skylane"		O-470-R (STC)	P4114808-04	D3A34C411/82NDA-2	80.0	77.0	30		11.0		29.0			SA1598CE Air Plains		
182Q "Skylane"		O-470-S (STC)	OBSOLETE	2A34C66/90AT-8	82.0	80.0	30		13.0		28.4			SA1598CE Air Plains	1	
182Q "Skylane"		O-470-S (STC)	P2033909-55	2A34C203/90DCA-8	82.0	80.5	30		12.5		29.0			SA1598CE Air Plains		
182Q "Skylane"		O-470-S (STC)	P4114808-04	D3A34C411/82NDA-2	80.0	77.0	30		11.0		29.0			SA1598CE Air Plains		
182Q "Skylane"	L	O-470-U (TCM)	P2043909-52	C2A34C204/90DCB-8	82.0	80.5	30		15.0		29.4			C290D3/T14		
182Q "Skylane"	L	O-470-U (TCM)	P4357483-02	D3A36C435/80VEA-0	80.0	78.0	30		13.6		33.9	D-7515	P	C290D3/T14 SA01601CH McCaughey PL60338		
182Q "Skylane"		O-470-U-TS (STC)		C2A34C204/90DCB-8	82.0	80.5	30		10.4		29.4			SA8951SW Texas Skyways		
182Q "Skylane"		O-470-50 (STC)	OBSOLETE	D2A34C58/90AT-8	82.0		36		9.5		25.8			SA5966NM P. Ponk	1	

Constant Speed Propeller Applications

Aircraft		Engine		Model	Diameter		Ref		Blade Angles			Spinner		Governors	STC Number STC Holder STC Kit P/N	Notes
Model	TYPE	Model (Make)	Part Number		Max	Min	Sta	Rev	Low or Flight Idle	Latch or Start Locks	High or Feather	Assembly P/N	Type			
182Q "Skylane"		O-470-50 (STC)	OBSOLETE	2A34C66/90AT-8	82.0		36								SA5966NM P. Ponk	1
182Q "Skylane"		O-470-50 (STC)	OBSOLETE	D3A32C90/82NC-2	80.0		30								SA5966NM P. Ponk	1
182Q "Skylane"		O-470-50 (STC)		D2A37C230/90REB-8	82.0		30		12.8		28.3				SA5966NM P. Ponk	
182Q "Skylane"		O-470-50 (STC)		D3A34C401/90DFA-10	80.0	78.5	30		10.4		28.0				SA5966NM P. Ponk	
182Q "Skylane"		IO-470-F (STC)		2A34C50/90A-8	82.0		36								SA3825SW Peterson	
182Q "Skylane"		IO-470-F (STC)		D2A34C58/90AT-8	82.0		36								SA3825SW Peterson	
182Q "Skylane"		IO-470-F (STC)		2A34C66/90AT-8	82.0		36								SA3825SW Peterson	
182Q "Skylane"		O-520-F-TS (STC)		B2A37C238/90REA-4	86.0	84.5	30		10.9		29.5				SA09558SC Texas Skyways	
182Q "Skylane"		O-520-F-TS (STC)	P4014808-04	D3A34C401/90DFA-10	80.0	76.0	30		10.4		28.5	D-6594	P		SA09026SC Texas Skyways	
182Q "Skylane"		O-520-U-TS (STC)	P4014808-04	D3A34C401/90DFA-10	80.0	76.0	30		10.4		28.5	D-6594	P		SA09026SC Texas Skyways	
182Q "Skylane"		IO-520-D (TCM)		D3A34C401/90DFA-10	80.0	78.5	30								SA01302AT John Jewell	
182Q "Skylane"		IO-520 series (TCM)	P4014808-09	D3A34C401/90DFA-2	88.0	86.0	30		10.0		28.5	D-6594	P		SA00727WI Air Plains	88
182Q "Skylane"		IO-520 series (TCM)	P4014808-12	D3A34C401/90DFA-4	86.0	84.0	30		10.0		28.0	D-6594	P		SA00727WI Air Plains	84
182Q "Skylane"		IO-520 series (TCM)	P4014808-13	D3A34C401/90DFA-6	84.0	82.0	30		10.0		28.0	D-6594	P		SA00727WI Air Plains	
182Q "Skylane"		IO-520 series (TCM)	P4014808-14	D3A34C401/90DFA-8	82.0	80.0	30		10.4		28.5	D-6594	P		SA00727WI Air Plains	
182Q "Skylane"		IO-520 series (TCM)	P4014808-04	D3A34C401/90DFA-10	80.0	80.0	30		10.4		28.5	D-6594	P		SA00727WI Air Plains	89
182Q "Skylane"		O-550-F-TS (STC)		B2A37C238/90REA-4	86.0	84.5	30		10.9		29.5				SA09558SC Texas Skyways	
182Q "Skylane"		O-550-F-TS (STC)		D3A34C401/90DFA-10	80.0	76.0	30		10.0		28.5	D-6594	P		SA09133SC Texas Skyways	
182Q "Skylane"	L	IO-550-D (TCM)		D3A34C401/90DFA-10	80.0	78.5	30								SA01218AT John Jewell	
182Q "Skylane"		IO-550 series (TCM)	P4014808-09	D3A34C401/90DFA-2	88.0	86.0	30		10.0		28.5	D-6594	P		SA00727WI Air Plains	88
182Q "Skylane"		IO-550 series (TCM)	P4014808-12	D3A34C401/90DFA-4	86.0	84.0	30		10.0		28.0	D-6594	P		SA00727WI Air Plains	84
182Q "Skylane"		IO-550 series (TCM)	P4014808-13	D3A34C401/90DFA-6	84.0	82.0	30		10.0		28.0	D-6594	P		SA00727WI Air Plains	90
182Q "Skylane"		IO-550 series (TCM)	P4014808-14	D3A34C401/90DFA-8	82.0	80.0	30		10.4		28.5	D-6594	P		SA00727WI Air Plains	

Constant Speed Propeller Applications

Aircraft		Engine		Model	Diameter		Ref		Blade Angles			Spinner		Governors	STC Number STC Holder STC Kit P/N	Notes
Model	T Y P E	Model (Make)	Part Number		Max	Min	Sta	Rev	Low or Flight Idle	Latch or Start Locks	High or Feather	Assembly P/N	T y p e			
182Q "Skylane"		IO-550 series (TCM)	P4014808-04	D3A34C401/90DFA-10	80.0	80.0	30		10.4		28.5	D-6594	P		SA00727WI Air Plains	89
182R "Skylane"	L	O-470-U (TCM)	P2043909-52	C2A34C204/90DCB-8	82.0	80.5	30		15.0		29.4			C290D3/T14		
182R "Skylane"	L	O-470-U (TCM)	P4357483-02	D3A36C435/80VEA-0	80.0	78.0	30		13.6		33.9	D-7515	P	C290D3/T14	SA01601CH McCauley PL60338	
182R "Skylane"		O-470-U-TS (STC)		C2A34C204/90DCB-8	82.0	80.5	30		10.4		29.4				SA8951SW Texas Skyways	
182R "Skylane"		O-470-50 (STC)	OBSOLETE	D2A34C58/90AT-8	82.0		36		9.5		25.8				SA5966NM P. Ponk	1
182R "Skylane"		O-470-50 (STC)	OBSOLETE	2A34C66/90AT-8	82.0		36								SA5966NM P. Ponk	1
182R "Skylane"		O-470-50 (STC)	OBSOLETE	D3A32C90/82NC-2	80.0		30								SA5966NM P. Ponk	1
182R "Skylane"		O-470-50 (STC)		D2A37C230/90REB-8	82.0		30		12.8		28.3				SA5966NM P. Ponk	
182R "Skylane"		O-470-50 (STC)		D3A34C401/90DFA-10	80.0	78.5	30		10.4		28.0				SA5966NM P. Ponk	
182R "Skylane"		IO-470-F (STC)		2A34C50/90A-8	82.0		36								SA3825SW Peterson	
182R "Skylane"		IO-470-F (STC)		D2A34C58/90AT-8	82.0		36								SA3825SW Peterson	
182R "Skylane"		IO-470-F (STC)		2A34C66/90AT-8	82.0		36								SA3825SW Peterson	
182R "Skylane"		O-520-F-TS (STC)		B2A37C238/90REA-4	86.0	84.5	30		10.9		29.5				SA09558SC Texas Skyways	
182R "Skylane"		O-520-F-TS (STC)	P4014808-04	D3A34C401/90DFA-10	80.0	76.0	30		10.4		28.5	D-6594	P		SA09026SC Texas Skyways	
182R "Skylane"		O-520-U-TS (STC)	P4014808-04	D3A34C401/90DFA-10	80.0	76.0	30		10.4		28.5	D-6594	P		SA09026SC Texas Skyways	
182R "Skylane"		IO-520-D (TCM)		D3A34C401/90DFA-10	80.0	78.5	30								SA01302AT John Jewell	
182R "Skylane"		IO-520 series (TCM)	P4014808-09	D3A34C401/90DFA-2	88.0	86.0	30		10.0		28.5	D-6594	P		SA00727WI Air Plains	88
182R "Skylane"		IO-520 series (TCM)	P4014808-12	D3A34C401/90DFA-4	86.0	84.0	30		10.0		28.0	D-6594	P		SA00727WI Air Plains	84
182R "Skylane"		IO-520 series (TCM)	P4014808-13	D3A34C401/90DFA-6	84.0	82.0	30		10.0		28.0	D-6594	P		SA00727WI Air Plains	
182R "Skylane"		IO-520 series (TCM)	P4014808-14	D3A34C401/90DFA-8	82.0	80.0	30		10.4		28.5	D-6594	P		SA00727WI Air Plains	
182R "Skylane"		IO-520 series (TCM)	P4014808-04	D3A34C401/90DFA-10	80.0	80.0	30		10.4		28.5	D-6594	P		SA00727WI Air Plains	89
182R "Skylane"		O-550-F-TS (STC)		B2A37C238/90REA-4	86.0	84.5	30		10.9		29.5				SA09558SC Texas Skyways	

Constant Speed Propeller Applications

Aircraft		Engine		Model	Diameter		Ref		Blade Angles			Spinner		Governors	STC Number STC Holder STC Kit P/N	Notes
Model	T Y P E	Model (Make)	Part Number		Max	Min	Sta	Rev	Low or Flight Idle	Latch or Start Locks	High or Feather	Assembly P/N	T y p e			
182R "Skylane"		O-550-F-TS (STC)		D3A34C401/90DFA-10	80.0	76.0	30		10.0		28.5	D-6594	P		SA09133SC Texas Skyways	
182R "Skylane"	L	IO-550-D (TCM)		D3A34C401/90DFA-10	80.0	78.5	30								SA01218AT John Jewell	
182R "Skylane"		IO-550 series (TCM)	P4014808-09	D3A34C401/90DFA-2	88.0	86.0	30		10.0		28.5	D-6594	P		SA00727WI Air Plains	88
182R "Skylane"		IO-550 series (TCM)	P4014808-12	D3A34C401/90DFA-4	86.0	84.0	30		10.0		28.0	D-6594	P		SA00727WI Air Plains	84
182R "Skylane"		IO-550 series (TCM)	P4014808-13	D3A34C401/90DFA-6	84.0	82.0	30		10.0		28.0	D-6594	P		SA00727WI Air Plains	90
182R "Skylane"		IO-550 series (TCM)	P4014808-14	D3A34C401/90DFA-8	82.0	80.0	30		10.4		28.5	D-6594	P		SA00727WI Air Plains	
182R "Skylane"		IO-550 series (TCM)	P4014808-04	D3A34C401/90DFA-10	80.0	80.0	30		10.4		28.5	D-6594	P		SA00727WI Air Plains	89
182S "Skylane"	L	IO-540-AB1A5 (LY)	P2357299-02	B2D34C235/90DKB-8E	82.0	80.5	30		17.0		31.8	D-7267-1 D-7267-2	P S	DC290D1/T8		
182S "Skylane"	L	IO-540-AB1A5 (LY)	P4317296-01	B3D36C431/80VSA-1	79.0	77.5	30		14.9		31.7	D-7262-1 D-7262-2	P S	DC290D1/T8		
182S "Skylane"	L	IO-540-D4B5 (LY)	P4317296-04	B3D36C431/80VSA-1	79.0	77.5	30		11.5		29.2	D-7262-1	P	DC290D1/T37	SA02311NY Alamo	
182T "Skylane"	L	IO-540-AB1A5 (LY)	P4317296-01	B3D36C431/80VSA-1	79.0	77.5	30		14.9		31.7	D-7262-1 D-7262-2	P S	DC290D1/T8		
182T "Skylane"	L	IO-540-D4B5 (LY)	P4317296-04	B3D36C431/80VSA-1	79.0		30		11.5		29.2	D-7262-1	P	DC290D1/T37	SA02311NY Alamo	
R182 (S/N R18200001 - R18201313) "Skylane RG"	L	O-540-J3C5D (LY)	P2144392-61	B2D34C214/90DHB-8	82.0	80.5	30		15.8		29.4			DC290D1/T4 C290D3/T16		
R182 (S/N R18200001 - R18201313) "Skylane RG"	L	O-540-J3C5D (LY)	P4337350-02	B3D36C433/80VSA-1	79.0	78.0	30		14.3		31.7	D-6614	P	DC290D1/T4 C290D3/T16	SA00797CH McCaughey PL60231	
R182 (S/N R18200001 - R18201313) "Skylane RG"	L	IO-540-D4B5-AA (STC)	P4337350-03	B3D36C433/80VSA-1	79.0		30							DC290D1/T37	SA10811SC Alamo	
R182 (S/N R18201314 and up) "Skylane RG"	L	O-540-J3C5D (LY)	P2185053-01	B2D34C218/90DHB-8	82.0	80.5	30		15.8		29.4			DC290D1/T8 C290D3/T22		
R182 (S/N R18201314 and up) "Skylane RG"	L	O-540-J3C5D (LY)	P4317296-03	B3D36C431/80VSA-1	79.0	78.0	30		14.3		31.7	D-7499-1	P	DC290D1/T8 C290D3/T22	SA00797CH McCaughey PL60203	
R182 (S/N R18201314 and up) "Skylane RG"	L	IO-540-D4B5-AA (STC)	P4317296-05	B3D36C431/80VSA-1	79.0		30		11.5		29.2	D-7499-1		DC290D1/T37	SA10811SC Alamo	
R182 (S/N R18201629 - R18202041 and note 22) "Skylane RG"	L	O-540-J3C5D (LY)	P4075158-01	B3D32C407/82NDA-3	79.0	78.0	30		16.0		31.7			DC290D1/T8 C290D3/T22		22
T182 "Turbo Skylane"	L	O-540-L3C5D (LY)	P2195054-01	B2D34C219/90DHB-8	82.0	80.5	30		15.8		31.9			DC290D1/T8 C290D3/T22		

Constant Speed Propeller Applications

Aircraft		Engine		Part Number	Model	Diameter		Ref		Blade Angles			Spinner		Governors	STC Number STC Holder STC Kit P/N	Notes
Model	T Y P E	Model (Make)				Max	Min	Sta	Rev	Low or Flight Idle	Latch or Start Locks	High or Feather	Assembly P/N	T y p e			
T182 "Turbo Skylane"	L	O-540-L3C5D (LY)	P4075158-01	B3D32C407/82NDA-3	79.0	78.0	30		16.0		31.7			DC290D1/T8 C290D3/T22			
T182T "Turbo Skylane"	L	TIO-540-AK1A (LY)	P4427296-0153	B3D36C442/80VSB-1	79.0	77.5	30		15.1		35.4	D-7725-2	S	DC290D1/T8			
TR182 (S/N R18200001,R18200584- R18201313) "Turbo Skylane RG"	L	O-540-L3C5D (LY)	P2174990-01	B2D34C217/90DHB-8	82.0	80.5	30		15.8		31.9			DC290D1/T7 C290D3/T21			
TR182 (S/N R18201314 and up) "Turbo Skylane RG"	L	O-540-L3C5D (LY)	P2195054-01	B2D34C219/90DHB-8	82.0	80.5	30		15.8		31.9			DC290D1/T8 C290D3/T22			
TR182 (S/N R18201315, R18201629 and up, and note 23) "Turbo Skylane RG"	L	O-540-L3C5D (LY)	P4075158-01	B3D32C407/82NDA-3	79.0	78.0	30		16.0		31.7			DC290D1/T8 C290D3/T22		23	
185 "Skywagon"		IO-470-F (TCM)	OBSOLETE	D2A36C33/90M-2	88.0	80.5	36		8.0		22.0					1	
185 "Skywagon"		IO-470-F (TCM)	OBSOLETE	D2A34C49/90A-2	88.0	80.5	36		9.2		22.0					1	
185 "Skywagon"		IO-470-F (TCM)	OBSOLETE	D2A34C58/90AT-2	88.0	80.5	36		9.2		22.0					1	
185 "Skywagon"		IO-470-F (TCM)	P2306949-62	D2A37C230/90REB-2	88.0	80.5	30		11.7		24.5			C290D3/T1 C290D2/T1		80	
185 "Skywagon"	A F L	IO-520-B (STC)	OBSOLETE	D2A34C58/90AT-4	86.0		36								SA1750NM Metal Innovations	1	
185 "Skywagon"	A F L	IO-520-B (STC)		D3A34C403/80VA-0	80.0		30								SA1750NM Metal Innovations		
185 "Skywagon"	A F L	IO-520-D (TCM)		D3A34C401/90DFA-2	88.0	86.5	30		8.8		28.0	D-6594 D-3867 D-3867-1	P S P	C290D3/T9	SA00413WI P. Ponk	84	
185 "Skywagon"	A F L	IO-520-D (TCM)		D3A34C401/90DFA-4	86.0	84.5	30		9.0		28.0	D-6594 D-3867 D-3867-1	P S P	C290D3/T9	SA00413WI P. Ponk	84	
185 "Skywagon"	A F L	IO-520-D (TCM)		D3A34C401/90DFA-6	84.0	82.5	30		10.0		28.0	D-6594 D-3867 D-3867-1	P S P	C290D3/T9	SA00413WI P. Ponk	84	
185 "Skywagon"	A F L	IO-520-D (TCM)		D3A34C401/90DFA-8	82.0	80.5	30		10.4		28.0	D-6594 D-3867 D-3867-1	P S P	C290D3/T9	SA00413WI P. Ponk		
185 "Skywagon"		IO-520-D (TCM)	P4014808-14	D3A34C401/90DFA-8	82.0	78.0	30		10.4		28.5	D-6594	P	C290D3/T9	SA00501AT Davis Aviation	103	
185 "Skywagon"	A F L	IO-520-D (TCM)		D3A34C401/90DFA-10	80.0	78.5	30		10.4		28.0	D-6594 D-3867 D-3867-1	P S P	C290D3/T9	SA00413WI P. Ponk		
185 "Skywagon"		IO-520-D (TCM)	P4014808-04	D3A34C401/90DFA-10	80.0	78.0	30		10.4		28.5	D-6594	P	C290D3/T9	SA00501AT Davis Aviation	103	
185 "Skywagon"	A F L	IO-550-D (TCM)	P4014808-09	D3A34C401/90DFA-2	88.0	86.0	30		10.0		28.0				SA00412WI Air Plains	84	

Constant Speed Propeller Applications

Aircraft		Engine			Diameter		Ref		Blade Angles			Spinner		Governors	STC Number STC Holder STC Kit P/N	Notes
Model	T Y P E	Model (Make)	Part Number	Model	Max	Min	Sta	Rev	Low or Flight Idle	Latch or Start Locks	High or Feather	Assembly P/N	T y p e			
185 "Skywagon"	A F L	IO-550-D (TCM)	P4014808-12	D3A34C401/90DFA-4	86.0	84.0	30		10.0		28.0				SA00412WI Air Plains	84
185 "Skywagon"	A F L	IO-550-D (TCM)	P4014808-13	D3A34C401/90DFA-6	84.0	82.0	30		10.0		28.0				SA00412WI Air Plains	
185 "Skywagon"	A F L	IO-550-D (TCM)	P4014808-14	D3A34C401/90DFA-8	82.0	80.0	30		10.4		28.0				SA00412WI Air Plains	
185 "Skywagon"		IO-550-D (TCM)	P4014808-11	D3A34C401/90DFA-8	82.0	78.0	30		11.2		28.5	D-6594	P	C290D3/T19	SA2933SO Davis Aviation	103
185 "Skywagon"		IO-550-D (TCM)	P4014808-05	D3A34C401/90DFA-10	80.0	78.0	30		11.2		28.5	D-6594	P	C290D3/T19	SA2933SO Davis Aviation	103
185 "Skywagon"		IO-550-D (TCM)	P2286737-51	B2A37C228/90RDA-4	86.0	84.0	30		11.5		29.5	D-3396	S	C290D3/T19	SA2933SO Davis Aviation	
185A "Skywagon"		IO-470-F (TCM)	OBSOLETE	D2A36C33/90M-2	88.0	80.5	36		8.0		22.0					1
185A "Skywagon"		IO-470-F (TCM)	OBSOLETE	D2A34C49/90A-2	88.0	80.5	36		9.2		22.0					1
185A "Skywagon"		IO-470-F (TCM)	OBSOLETE	D2A34C58/90AT-2	88.0	80.5	36		9.2		22.0					1
185A "Skywagon"		IO-470-F (TCM)	P2306949-62	D2A37C230/90REB-2	88.0	80.5	30		11.7		24.5			C290D3/T1 C290D2/T1		80
185A "Skywagon"	A F L	IO-520-B (STC)	OBSOLETE	D2A34C58/90AT-4	86.0		36								SA1750NM Metal Innovations	1
185A "Skywagon"	A F L	IO-520-B (STC)		D3A34C403/80VA-0	80.0		30								SA1750NM Metal Innovations	
185A "Skywagon"	A F L	IO-520-D (TCM)		D3A34C401/90DFA-2	88.0	86.5	30		8.8		28.0	D-6594 D-3867 D-3867-1	P S P	C290D3/T9	SA00413WI P. Ponk	84
185A "Skywagon"	A F L	IO-550-D (TCM)	P4014808-09	D3A34C401/90DFA-2	88.0	86.0	30		10.0		28.0				SA00412WI Air Plains	84
185A "Skywagon"	A F L	IO-520-D (TCM)		D3A34C401/90DFA-4	86.0	84.5	30		9.0		28.0	D-6594 D-3867 D-3867-1	P S P	C290D3/T9	SA00413WI P. Ponk	84
185A "Skywagon"	A F L	IO-520-D (TCM)		D3A34C401/90DFA-6	84.0	82.5	30		10.0		28.0	D-6594 D-3867 D-3867-1	P S P	C290D3/T9	SA00413WI P. Ponk	84
185A "Skywagon"	A F L	IO-520-D (TCM)		D3A34C401/90DFA-8	82.0	80.5	30		10.4		28.0	D-6594 D-3867 D-3867-1	P S P	C290D3/T9	SA00413WI P. Ponk	
185A "Skywagon"		IO-520-D (TCM)	P4014808-14	D3A34C401/90DFA-8	82.0	78.0	30		10.4		28.5	D-6594	P	C290D3/T9	SA00501AT Davis Aviation	103
185A "Skywagon"	A F L	IO-520-D (TCM)		D3A34C401/90DFA-10	80.0	78.5	30		10.4		28.0	D-6594 D-3867 D-3867-1	P S P	C290D3/T9	SA00413WI P. Ponk	
185A "Skywagon"		IO-520-D (TCM)	P4014808-04	D3A34C401/90DFA-10	80.0	78.0	30		10.4		28.5	D-6594	P	C290D3/T9	SA00501AT Davis Aviation	103

Constant Speed Propeller Applications

Aircraft		Engine			Diameter		Ref		Blade Angles			Spinner		Governors	STC Number STC Holder STC Kit P/N	Notes
Model	TYPE	Model (Make)	Part Number	Model	Max	Min	Sta	Rev	Low or Flight Idle	Latch or Start Locks	High or Feather	Assembly P/N	Type			
185A "Skywagon"	AF L	IO-550-D (TCM)	P4014808-12	D3A34C401/90DFA-4	86.0	84.0	30		10.0		28.0				SA00412WI Air Plains	84
185A "Skywagon"	AF L	IO-550-D (TCM)	P4014808-13	D3A34C401/90DFA-6	84.0	82.0	30		10.0		28.0				SA00412WI Air Plains	
185A "Skywagon"	AF L	IO-550-D (TCM)	P4014808-14	D3A34C401/90DFA-8	82.0	80.0	30		10.4		28.0				SA00412WI Air Plains	
185A "Skywagon"		IO-550-D (TCM)	P4014808-11	D3A34C401/90DFA-8	82.0	78.0	30		11.2		28.5	D-6594	P	C290D3/T19	SA2933SO Davis Aviation	103
185A "Skywagon"		IO-550-D (TCM)	P4014808-05	D3A34C401/90DFA-10	80.0	78.0	30		11.2		28.5	D-6594	P	C290D3/T19	SA2933SO Davis Aviation	103
185A "Skywagon"		IO-550-D (TCM)	P2286737-51	B2A37C228/90RDA-4	86.0	84.0	30		11.5		29.5	D-3396	S	C290D3/T19	SA2933SO Davis Aviation	
185B "Skywagon"		IO-470-F (TCM)	OBSOLETE	D2A36C33/90M-2	88.0	80.5	36		8.0		22.0					1
185B "Skywagon"		IO-470-F (TCM)	OBSOLETE	D2A34C49/90A-2	88.0	80.5	36		9.2		22.0					1
185B "Skywagon"		IO-470-F (TCM)	OBSOLETE	D2A34C58/90AT-2	88.0	80.5	36		9.2		22.0					1
185B "Skywagon"		IO-470-F (TCM)	P2306949-62	D2A37C230/90REB-2	88.0	80.5	30		11.7		24.5			C290D3/T1 C290D2/T1		80
185B "Skywagon"	AF L	IO-520-B (STC)	OBSOLETE	D2A34C58/90AT-4	86.0		36								SA1750NM Metal Innovations	1
185B "Skywagon"	AF L	IO-520-B (STC)		D3A34C403/80VA-0	80.0		30								SA1750NM Metal Innovations	
185B "Skywagon"	AF L	IO-520-D (TCM)		D3A34C401/90DFA-2	88.0	86.5	30		8.8		28.0	D-6594 D-3867 D-3867-1	P S P	C290D3/T9	SA00413WI P. Ponk	84
185B "Skywagon"	AF L	IO-520-D (TCM)		D3A34C401/90DFA-4	86.0	84.5	30		9.0		28.0	D-6594 D-3867 D-3867-1	P S P	C290D3/T9	SA00413WI P. Ponk	84
185B "Skywagon"	AF L	IO-520-D (TCM)		D3A34C401/90DFA-6	84.0	82.5	30		10.0		28.0	D-6594 D-3867 D-3867-1	P S P	C290D3/T9	SA00413WI P. Ponk	84
185B "Skywagon"	AF L	IO-520-D (TCM)		D3A34C401/90DFA-8	82.0	80.5	30		10.4		28.0	D-6594 D-3867 D-3867-1	P S P	C290D3/T9	SA00413WI P. Ponk	
185B "Skywagon"		IO-520-D (TCM)	P4014808-14	D3A34C401/90DFA-8	82.0	78.0	30		10.4		28.5	D-6594	P	C290D3/T9	SA00501AT Davis Aviation	103
185B "Skywagon"	AF L	IO-520-D (TCM)		D3A34C401/90DFA-10	80.0	78.5	30		10.4		28.0	D-6594 D-3867 D-3867-1	P S P	C290D3/T9	SA00413WI P. Ponk	
185B "Skywagon"		IO-520-D (TCM)	P4014808-04	D3A34C401/90DFA-10	80.0	78.0	30		10.4		28.5	D-6594	P	C290D3/T9	SA00501AT Davis Aviation	103
185B "Skywagon"	AF L	IO-550-D (TCM)	P4014808-09	D3A34C401/90DFA-2	88.0	86.0	30		10.0		28.0				SA00412WI Air Plains	84

Constant Speed Propeller Applications

Aircraft		Engine			Diameter		Ref		Blade Angles			Spinner		Governors	STC Number STC Holder STC Kit P/N	Notes
Model	TYPE	Model (Make)	Part Number	Model	Max	Min	Sta	Rev	Low or Flight Idle	Latch or Start Locks	High or Feather	Assembly P/N	Type			
185B "Skywagon"	AF L	IO-550-D (TCM)	P4014808-12	D3A34C401/90DFA-4	86.0	84.0	30		10.0		28.0				SA00412WI Air Plains	84
185B "Skywagon"	AF L	IO-550-D (TCM)	P4014808-13	D3A34C401/90DFA-6	84.0	82.0	30		10.0		28.0				SA00412WI Air Plains	
185B "Skywagon"	AF L	IO-550-D (TCM)	P4014808-14	D3A34C401/90DFA-8	82.0	80.0	30		10.4		28.0				SA00412WI Air Plains	
185B "Skywagon"		IO-550-D (TCM)	P4014808-11	D3A34C401/90DFA-8	82.0	78.0	30		11.2		28.5	D-6594	P	C290D3/T19	SA2933SO Davis Aviation	103
185B "Skywagon"		IO-550-D (TCM)	P4014808-05	D3A34C401/90DFA-10	80.0	78.0	30		11.2		28.5	D-6594	P	C290D3/T19	SA2933SO Davis Aviation	103
185B "Skywagon"		IO-550-D (TCM)	P2286737-51	B2A37C228/90RDA-4	86.0	84.0	30		11.5		29.5	D-3396	S	C290D3/T19	SA2933SO Davis Aviation	
185C "Skywagon"		IO-470-F (TCM)	OBSOLETE	D2A36C33/90M-2	88.0	80.5	36		8.0		22.0					1
185C "Skywagon"		IO-470-F (TCM)	OBSOLETE	D2A34C49/90A-2	88.0	80.5	36		9.2		22.0					1
185C "Skywagon"		IO-470-F (TCM)	OBSOLETE	D2A34C58/90AT-2	88.0	80.5	36		9.2		22.0					1
185C "Skywagon"		IO-470-F (TCM)	P2306949-62	D2A37C230/90REB-2	88.0	80.5	30		11.7		24.5			C290D3/T1 C290D2/T1		80
185C "Skywagon"	AF L	IO-520-B (STC)	OBSOLETE	D2A34C58/90AT-4	86.0		36								SA1750NM Metal Innovations	1
185C "Skywagon"	AF L	IO-520-B (STC)		D3A34C403/80VA-0	80.0		30								SA1750NM Metal Innovations	
185C "Skywagon"	AF L	IO-520-D (TCM)		D3A34C401/90DFA-2	88.0	86.5	30		8.8		28.0	D-6594 D-3867 D-3867-1	P S P	C290D3/T9	SA00413WI P. Ponk	84
185C "Skywagon"	AF L	IO-520-D (TCM)		D3A34C401/90DFA-4	86.0	84.5	30		9.0		28.0	D-6594 D-3867 D-3867-1	P S P	C290D3/T9	SA00413WI P. Ponk	84
185C "Skywagon"	AF L	IO-520-D (TCM)		D3A34C401/90DFA-6	84.0	82.5	30		10.0		28.0	D-6594 D-3867 D-3867-1	P S P	C290D3/T9	SA00413WI P. Ponk	84
185C "Skywagon"	AF L	IO-520-D (TCM)		D3A34C401/90DFA-8	82.0	80.5	30		10.4		28.0	D-6594 D-3867 D-3867-1	P S P	C290D3/T9	SA00413WI P. Ponk	
185C "Skywagon"		IO-520-D (TCM)	P4014808-14	D3A34C401/90DFA-8	82.0	78.0	30		10.4		28.5	D-6594	P	C290D3/T9	SA00501AT Davis Aviation	103
185C "Skywagon"	AF L	IO-520-D (TCM)		D3A34C401/90DFA-10	80.0	78.5	30		10.4		28.0	D-6594 D-3867 D-3867-1	P S P	C290D3/T9	SA00413WI P. Ponk	
185C "Skywagon"		IO-520-D (TCM)	P4014808-04	D3A34C401/90DFA-10	80.0	78.0	30		10.4		28.5	D-6594	P	C290D3/T9	SA00501AT Davis Aviation	103
185C "Skywagon"	AF L	IO-550-D (TCM)	P4014808-09	D3A34C401/90DFA-2	88.0	86.0	30		10.0		28.0				SA00412WI Air Plains	84

Constant Speed Propeller Applications

Aircraft		Engine			Diameter		Ref		Blade Angles			Spinner		Governors	STC Number STC Holder STC Kit P/N	Notes
Model	TYPE	Model (Make)	Part Number	Model	Max	Min	Sta	Rev	Low or Flight Idle	Latch or Start Locks	High or Feather	Assembly P/N	Type			
185C "Skywagon"	AF L	IO-550-D (TCM)	P4014808-12	D3A34C401/90DFA-4	86.0	84.0	30		10.0		28.0				SA00412WI Air Plains	84
185C "Skywagon"	AF L	IO-550-D (TCM)	P4014808-13	D3A34C401/90DFA-6	84.0	82.0	30		10.0		28.0				SA00412WI Air Plains	
185C "Skywagon"	AF L	IO-550-D (TCM)	P4014808-14	D3A34C401/90DFA-8	82.0	80.0	30		10.4		28.0				SA00412WI Air Plains	
185C "Skywagon"		IO-550-D (TCM)	P4014808-11	D3A34C401/90DFA-8	82.0	78.0	30		11.2		28.5	D-6594	P	C290D3/T19	SA2933SO Davis Aviation	103
185C "Skywagon"		IO-550-D (TCM)	P4014808-05	D3A34C401/90DFA-10	80.0	78.0	30		11.2		28.5	D-6594	P	C290D3/T19	SA2933SO Davis Aviation	103
185C "Skywagon"		IO-550-D (TCM)	P2286737-51	B2A37C228/90RDA-4	86.0	84.0	30		11.5		29.5	D-3396	S	C290D3/T19	SA2933SO Davis Aviation	
185D "Skywagon"		IO-470-F (TCM)	OBSOLETE	D2A36C33/90M-2	88.0	80.5	36		8.0		22.0					1
185D "Skywagon"		IO-470-F (TCM)	OBSOLETE	D2A34C49/90A-2	88.0	80.5	36		9.2		22.0					1
185D "Skywagon"		IO-470-F (TCM)	OBSOLETE	D2A34C58/90AT-2	88.0	80.5	36		9.2		22.0					1
185D "Skywagon"		IO-470-F (TCM)	P2306949-62	D2A37C230/90REB-2	88.0	80.5	30		11.7		24.5			C290D3/T1 C290D2/T1		80
185D "Skywagon"	AF L	IO-520-B (STC)	OBSOLETE	D2A34C58/90AT-4	86.0		36								SA1750NM Metal Innovations	1
185D "Skywagon"	AF L	IO-520-B (STC)		D3A34C403/80VA-0	80.0		30								SA1750NM Metal Innovations	
185D "Skywagon"	AF L	IO-520-D (TCM)		D3A34C401/90DFA-2	88.0	86.5	30		8.8		28.0	D-6594 D-3867 D-3867-1	P S P	C290D3/T9	SA00413WI P. Ponk	84
185D "Skywagon"	AF L	IO-520-D (TCM)		D3A34C401/90DFA-4	86.0	84.5	30		9.0		28.0	D-6594 D-3867 D-3867-1	P S P	C290D3/T9	SA00413WI P. Ponk	84
185D "Skywagon"	AF L	IO-520-D (TCM)		D3A34C401/90DFA-6	84.0	82.5	30		10.0		28.0	D-6594 D-3867 D-3867-1	P S P	C290D3/T9	SA00413WI P. Ponk	84
185D "Skywagon"	AF L	IO-520-D (TCM)		D3A34C401/90DFA-8	82.0	80.5	30		10.4		28.0	D-6594 D-3867 D-3867-1	P S P	C290D3/T9	SA00413WI P. Ponk	
185D "Skywagon"		IO-520-D (TCM)	P4014808-14	D3A34C401/90DFA-8	82.0	78.0	30		10.4		28.5	D-6594	P	C290D3/T9	SA00501AT Davis Aviation	103
185D "Skywagon"	AF L	IO-520-D (TCM)		D3A34C401/90DFA-10	80.0	78.5	30		10.4		28.0	D-6594 D-3867 D-3867-1	P S P	C290D3/T9	SA00413WI P. Ponk	
185D "Skywagon"		IO-520-D (TCM)	P4014808-04	D3A34C401/90DFA-10	80.0	78.0	30		10.4		28.5	D-6594	P	C290D3/T9	SA00501AT Davis Aviation	103
185D "Skywagon"	AF L	IO-550-D (TCM)	P4014808-09	D3A34C401/90DFA-2	88.0	86.0	30		10.0		28.0				SA00412WI Air Plains	84

Constant Speed Propeller Applications

Aircraft		Engine			Diameter		Ref	Blade Angles				Spinner		Governors	STC Number STC Holder STC Kit P/N	Notes
Model	T Y P E	Model (Make)	Part Number	Model	Max	Min	Sta	Rev	Low or Flight Idle	Latch or Start Locks	High or Feather	Assembly P/N	T y p e			
185D "Skywagon"	A F L	IO-550-D (TCM)	P4014808-12	D3A34C401/90DFA-4	86.0	84.0	30		10.0		28.0				SA00412WI Air Plains	84
185D "Skywagon"	A F L	IO-550-D (TCM)	P4014808-13	D3A34C401/90DFA-6	84.0	82.0	30		10.0		28.0				SA00412WI Air Plains	
185D "Skywagon"	A F L	IO-550-D (TCM)	P4014808-14	D3A34C401/90DFA-8	82.0	80.0	30		10.4		28.0				SA00412WI Air Plains	
185D "Skywagon"		IO-550-D (TCM)	P4014808-11	D3A34C401/90DFA-8	82.0	78.0	30		11.2		28.5	D-6594	P	C290D3/T19	SA2933SO Davis Aviation	103
185D "Skywagon"		IO-550-D (TCM)	P4014808-05	D3A34C401/90DFA-10	80.0	78.0	30		11.2		28.5	D-6594	P	C290D3/T19	SA2933SO Davis Aviation	103
185D "Skywagon"		IO-550-D (TCM)	P2286737-51	B2A37C228/90RDA-4	86.0	84.0	30		11.5		29.5	D-3396	S	C290D3/T19	SA2933SO Davis Aviation	
185E "Skywagon"		IO-470-F (TCM)	OBSOLETE	D2A34C49/90A-2	88.0	80.5	36		9.2		22.0			C290D3/T1 C290D2/T1		1
185E "Skywagon"		IO-470-F (TCM)	OBSOLETE	D2A34C58/90AT-2	88.0	80.5	36		9.2		22.0			C290D3/T1 C290D2/T1		1
185E "Skywagon"		IO-470-F (TCM)	P2306949-62	D2A37C230/90REB-2	88.0	80.5	30		11.7		24.5			C290D3/T1 C290D2/T1		80
185E "Skywagon"	A F L	IO-520-B (STC)	OBSOLETE	D2A34C58/90AT-4	86.0		36								SA1750NM Metal Innovations	1
185E "Skywagon"	A F L	IO-520-B (STC)		D3A34C403/80VA-0	80.0		30								SA1750NM Metal Innovations	
185E "Skywagon"	A F L	IO-520-D (TCM)		D3A34C401/90DFA-2	88.0	86.5	30		8.8		28.0	D-6594 D-3867 D-3867-1	P S P	C290D3/T9	SA00413WI P. Ponk	84
185E "Skywagon"	A F L	IO-520-D (TCM)		D3A34C401/90DFA-4	86.0	84.5	30		9.0		28.0	D-6594 D-3867 D-3867-1	P S P	C290D3/T9	SA00413WI P. Ponk	84
185E "Skywagon"	A F L	IO-520-D (TCM)		D3A34C401/90DFA-6	84.0	82.5	30		10.0		28.0	D-6594 D-3867 D-3867-1	P S P	C290D3/T9	SA00413WI P. Ponk	84
185E "Skywagon"	A F L	IO-520-D (TCM)		D3A34C401/90DFA-8	82.0	80.5	30		10.4		28.0	D-6594 D-3867 D-3867-1	P S P	C290D3/T9	SA00413WI P. Ponk	
185E "Skywagon"		IO-520-D (TCM)	P4014808-14	D3A34C401/90DFA-8	82.0	78.0	30		10.4		28.5	D-6594	P	C290D3/T9	SA00501AT Davis Aviation	103
185E "Skywagon"	A F L	IO-520-D (TCM)		D3A34C401/90DFA-10	80.0	78.5	30		10.4		28.0	D-6594 D-3867 D-3867-1	P S P	C290D3/T9	SA00413WI P. Ponk	
185E "Skywagon"		IO-520-D (TCM)	P4014808-04	D3A34C401/90DFA-10	80.0	78.0	30		10.4		28.5	D-6594	P	C290D3/T9	SA00501AT Davis Aviation	103
185E "Skywagon"	A F L	IO-550-D (TCM)	P4014808-09	D3A34C401/90DFA-2	88.0	86.0	30		10.0		28.0				SA00412WI Air Plains	84
185E "Skywagon"	A F L	IO-550-D (TCM)	P4014808-12	D3A34C401/90DFA-4	86.0	84.0	30		10.0		28.0				SA00412WI Air Plains	84

Constant Speed Propeller Applications

Aircraft		Engine			Diameter		Ref		Blade Angles			Spinner		Governors	STC Number STC Holder STC Kit P/N	Notes
Model	T Y P E	Model (Make)	Part Number	Model	Max	Min	Sta	Rev	Low or Flight Idle	Latch or Start Locks	High or Feather	Assembly P/N	T y p e			
185E "Skywagon"	A F L	IO-550-D (TCM)	P4014808-13	D3A34C401/90DFA-6	84.0	82.0	30		10.0		28.0				SA00412WI Air Plains	
185E "Skywagon"	A F L	IO-550-D (TCM)	P4014808-14	D3A34C401/90DFA-8	82.0	80.0	30		10.4		28.0				SA00412WI Air Plains	
185E "Skywagon"		IO-550-D (TCM)	P4014808-11	D3A34C401/90DFA-8	82.0	78.0	30		11.2		28.5	D-6594	P	C290D3/T19	SA2933SO Davis Aviation	103
185E "Skywagon"		IO-550-D (TCM)	P4014808-05	D3A34C401/90DFA-10	80.0	78.0	30		11.2		28.5	D-6594	P	C290D3/T19	SA2933SO Davis Aviation	103
185E "Skywagon"		IO-550-D (TCM)	P2286737-51	B2A37C228/90RDA-4	86.0	84.0	30		11.5		29.5	D-3396	S	C290D3/T19	SA2933SO Davis Aviation	
A185E "Skywagon, AGcarryall"	A F L S	IO-520-B (STC)	OBSOLETE	D2A34C58/90AT-4	86.0		36								SA1750NM Metal Innovations	1
A185E "Skywagon, AGcarryall"	A F L S	IO-520-B (STC)		D3A34C403/80VA-0	80.0		30								SA1750NM Metal Innovations	
A185E "Skywagon, AGcarryall"	A F L	IO-520-D (TCM)	OBSOLETE	D2A34C58/90AT-4	86.0	84.5	36		8.0		25.0			C290D3/T9 C290D2/T9		1
A185E "Skywagon, AGcarryall"		IO-520-D (TCM)	OBSOLETE	D2A34C58/90AT-8	82.0	80.5	36		9.5		25.8			C290D3/T9 C290D2/T9		1
A185E "Skywagon, AGcarryall"	L	IO-520-D (TCM)	OBSOLETE	D3A32C90/82NC-2	80.0	78.0	30		11.5		28.1			C290D3/T9 C290D2/T9	SA501NW US Prop of Connecticut	1
A185E "Skywagon, AGcarryall"	A F L	IO-520-D (TCM)		D3A34C401/90DFA-2	88.0	86.5	30		8.8		28.0	D-6594 D-3867 D-3867-1	P S P	C290D3/T9	SA00413WI P. Ponk	84
A185E "Skywagon, AGcarryall"	A F L	IO-520-D (TCM)		D3A34C401/90DFA-4	86.0	84.5	30		9.0		28.0	D-6594 D-3867 D-3867-1	P S P	C290D3/T9	SA00413WI P. Ponk	84
A185E "Skywagon, AGcarryall"		IO-520-D (TCM)		D3A34C401/90DFA-4	86.0										SA00640SE P. Ponk	
A185E "Skywagon, AGcarryall"	A F L	IO-520-D (TCM)		D3A34C401/90DFA-6	84.0	82.5	30		10.0		28.0	D-6594 D-3867 D-3867-1	P S P	C290D3/T9	SA00413WI P. Ponk	84
A185E "Skywagon, AGcarryall"		IO-520-D (TCM)		D3A34C401/90DFA-6	84.0	82.5	30		10.0		28.0				SA00640SE P. Ponk	
A185E "Skywagon, AGcarryall"	A F L	IO-520-D (TCM)		D3A34C401/90DFA-8	82.0	80.5	30		10.4		28.0	D-6594 D-3867 D-3867-1	P S P	C290D3/T9	SA00413WI P. Ponk	
A185E "Skywagon, AGcarryall"		IO-520-D (TCM)	P4014808-14	D3A34C401/90DFA-8	82.0	78.0	30		10.4		28.5	D-6594	P	C290D3/T9	SA00501AT Davis Aviation	103
A185E "Skywagon, AGcarryall"	A F L	IO-520-D (TCM)		D3A34C401/90DFA-10	80.0	78.5	30		10.4		28.0	D-6594 D-3867 D-3867-1	P S P	C290D3/T9	SA00413WI P. Ponk	
A185E "Skywagon, AGcarryall"		IO-520-D (TCM)	P4014808-04	D3A34C401/90DFA-10	80.0	78.0	30		10.4		28.5	D-6594	P	C290D3/T9	SA00501AT Davis Aviation	103

Constant Speed Propeller Applications

Aircraft		Engine			Diameter		Ref		Blade Angles			Spinner		Governors	STC Number STC Holder STC Kit P/N	Notes
Model	T Y P E	Model (Make)	Part Number	Model	Max	Min	Sta	Rev	Low or Flight Idle	Latch or Start Locks	High or Feather	Assembly P/N	T y p e			
A185E "Skywagon, AGcarryall"	A F L	IO-520-D (TCM)	P4034808-11	D3A34C403/80VA-0	80.0	78.5	30		10.6		25.6			C290D3/T9 C290D2/T9		8
A185E "Skywagon, AGcarryall"		IO-550-D (TCM)	P2286737-51	B2A37C228/90RDA-4	86.0	84.0	30		11.5		29.5	D-3396	S	C290D3/T19	SA2933SO Davis Aviation	
A185E "Skywagon, AGcarryall"	A F L	IO-550-D (TCM)	P4014808-09	D3A34C401/90DFA-2	88.0	86.0	30		10.0		28.0				SA00412WI Air Plains	84
A185E "Skywagon, AGcarryall"	A F L	IO-550-D (TCM)		D3A34C401/90DFA-2	88.0	86.5	30		10.0		28.0				SA00344WI P. Ponk	84
A185E "Skywagon, AGcarryall"	A F L	IO-550-D (TCM)	P4014808-12	D3A34C401/90DFA-4	86.0	84.0	30		10.0		28.0				SA00412WI Air Plains	84
A185E "Skywagon, AGcarryall"	A F L	IO-550-D (TCM)		D3A34C401/90DFA-4	86.0	84.5	30		10.0		28.0				SA00344WI P. Ponk	84
A185E "Skywagon, AGcarryall"	A F L	IO-550-D (TCM)	P4014808-13	D3A34C401/90DFA-6	84.0	82.0	30		10.0		28.0				SA00412WI Air Plains	
A185E "Skywagon, AGcarryall"	A F L	IO-550-D (TCM)		D3A34C401/90DFA-6	84.0	82.5	30		10.0		28.0				SA00344WI P. Ponk	
A185E "Skywagon, AGcarryall"	A F L	IO-550-D (TCM)	P4014808-14	D3A34C401/90DFA-8	82.0	80.0	30		10.4		28.0				SA00412WI Air Plains	
A185E "Skywagon, AGcarryall"	A F L	IO-550-D (TCM)		D3A34C401/90DFA-8	82.0	80.5	30		10.4		28.0				SA00344WI P. Ponk	
A185E "Skywagon, AGcarryall"		IO-550-D (TCM)	P4014808-11	D3A34C401/90DFA-8	82.0	78.0	30		11.2		28.5	D-6594	P	C290D3/T19	SA2933SO Davis Aviation	103
A185E "Skywagon, AGcarryall"	A F L	IO-550-D (TCM)		D3A34C401/90DFA-10	80.0	78.5	30		10.4		28.0				SA00344WI P. Ponk	
A185E "Skywagon, AGcarryall"		IO-550-D (TCM)	P4014808-05	D3A34C401/90DFA-10	80.0	78.0	30		11.2		28.5	D-6594	P	C290D3/T19	SA2933SO Davis Aviation	103
A185E "Skywagon, AGcarryall"		IO-550-D (TCM)		D3A34C401/90DFA-10	80.0	78.0	30								SA1522GL Wipaire	
A185F "Skywagon, AGcarryall"	A F L S	IO-520-B (STC)	OBSOLETE	D2A34C58/90AT-4	86.0		36								SA1750NM Metal Innovations	1
A185F "Skywagon, AGcarryall"	A F L S	IO-520-B (STC)		D3A34C403/80VA-0	80.0		30								SA1750NM Metal Innovations	
A185F "Skywagon, AGcarryall"		IO-520-D (TCM)	OBSOLETE	D2A34C58/90AT-8	82.0	80.5	36		9.5		25.8			C290D3/T9 C290D2/T9		1
A185F "Skywagon, AGcarryall"	A F L	IO-520-D (TCM)	OBSOLETE	D2A34C58/90AT-4	86.0	84.5	36		8.0		25.0			C290D3/T9 C290D2/T9		1

Constant Speed Propeller Applications

Aircraft		Engine		Part Number	Model	Diameter		Ref		Blade Angles			Spinner		Governors	STC Number STC Holder STC Kit P/N	Notes
Model	T Y P E	Model (Make)				Max	Min	Sta	Rev	Low or Flight Idle	Latch or Start Locks	High or Feather	Assembly P/N	T y p e			
A185F "Skywagon, AGcarryall"	L	IO-520-D (TCM)	OBSOLETE	D3A32C90/82NC-2	80.0	78.0	30		11.5		28.1			C290D3/T9 C290D2/T9	SA501NW US Prop of Connecticut	1	
A185F "Skywagon, AGcarryall"	A F L	IO-520-D (TCM)		D3A34C401/90DFA-2	88.0	86.5	30		8.8		28.0	D-6594 D-3867 D-3867-1	P S P	C290D3/T9	SA00413WI P. Ponk	84	
A185F "Skywagon, AGcarryall"		IO-520-D (TCM)		D3A34C401/90DFA-4	86.0										SA00640SE P. Ponk		
A185F "Skywagon, AGcarryall"	A F L	IO-520-D (TCM)		D3A34C401/90DFA-4	86.0	84.5	30		9.0		28.0	D-6594 D-3867 D-3867-1	P S P	C290D3/T9	SA00413WI P. Ponk	84	
A185F "Skywagon, AGcarryall"		IO-520-D (TCM)		D3A34C401/90DFA-6	84.0	82.5	30		10.0		28.0				SA00640SE P. Ponk		
A185F "Skywagon, AGcarryall"	A F L	IO-520-D (TCM)		D3A34C401/90DFA-6	84.0	82.5	30		10.0		28.0	D-6594 D-3867 D-3867-1	P S P	C290D3/T9	SA00413WI P. Ponk	84	
A185F "Skywagon, AGcarryall"	A F L	IO-520-D (TCM)		D3A34C401/90DFA-8	82.0	80.5	30		10.4		28.0	D-6594 D-3867 D-3867-1	P S P	C290D3/T9	SA00413WI P. Ponk		
A185F "Skywagon, AGcarryall"		IO-520-D (TCM)	P4014808-14	D3A34C401/90DFA-8	82.0	78.0	30		10.4		28.5	D-6594	P	C290D3/T9	SA00501AT Davis Aviation	103	
A185F "Skywagon, AGcarryall"	A F L	IO-520-D (TCM)		D3A34C401/90DFA-10	80.0	78.5	30		10.4		28.0	D-6594 D-3867 D-3867-1	P S P	C290D3/T9	SA00413WI P. Ponk		
A185F "Skywagon, AGcarryall"		IO-520-D (TCM)	P4014808-04	D3A34C401/90DFA-10	80.0	78.0	30		10.4		28.5	D-6594	P	C290D3/T9	SA00501AT Davis Aviation	103	
A185F "Skywagon, AGcarryall"	A F L	IO-520-D (TCM)	P4034808-11	D3A34C403/80VA-0	80.0	78.5	30		10.6		25.6			C290D3/T9 C290D2/T9		8	
A185F "Skywagon, AGcarryall"		IO-550-D (TCM)	P2286737-51	B2A37C228/90RDA-4	86.0	84.0	30		11.5		29.5	D-3396	S	C290D3/T19	SA2933SO Davis Aviation		
A185F "Skywagon, AGcarryall"	A F L	IO-550-D (TCM)	P4014808-09	D3A34C401/90DFA-2	88.0	86.0	30		10.0		28.0			C290D3/T9 C290D2/T9	SA00412WI Air Plains	84	
A185F "Skywagon, AGcarryall"	A F L	IO-550-D (TCM)		D3A34C401/90DFA-2	88.0	86.5	30		10.0		28.0				SA00344WI P. Ponk	84	
A185F "Skywagon, AGcarryall"	A F L	IO-550-D (TCM)	P4014808-12	D3A34C401/90DFA-4	86.0	84.0	30		10.0		28.0			C290D3/T9 C290D2/T9	SA00412WI Air Plains	84	
A185F "Skywagon, AGcarryall"	A F L	IO-550-D (TCM)		D3A34C401/90DFA-4	86.0	84.5	30		10.0		28.0				SA00344WI P. Ponk	84	
A185F "Skywagon, AGcarryall"	A F L	IO-550-D (TCM)	P4014808-13	D3A34C401/90DFA-6	84.0	82.0	30		10.0		28.0			C290D3/T9 C290D2/T9	SA00412WI Air Plains		
A185F "Skywagon, AGcarryall"	A F L	IO-550-D (TCM)		D3A34C401/90DFA-6	84.0	82.5	30		10.0		28.0				SA00344WI P. Ponk		
A185F "Skywagon, AGcarryall"	A F L	IO-550-D (TCM)	P4014808-14	D3A34C401/90DFA-8	82.0	80.0	30		10.4		28.0			C290D3/T9 C290D2/T9	SA00412WI Air Plains		

Constant Speed Propeller Applications

Aircraft		Engine		Part Number	Model	Diameter		Ref		Blade Angles			Spinner		Governors	STC Number STC Holder STC Kit P/N	Notes
Model	T Y P E	Model (Make)				Max	Min	Sta	Rev	Low or Flight Idle	Latch or Start Locks	High or Feather	Assembly P/N	T y p e			
A185F "Skywagon, AGcarryall"	A F L	IO-550-D (TCM)		D3A34C401/90DFA-8	82.0	80.5	30		10.4		28.0				SA00344WI P. Ponk		
A185F "Skywagon, AGcarryall"		IO-550-D (TCM)	P4014808-11	D3A34C401/90DFA-8	82.0	78.0	30		11.2		28.5	D-6594	P	C290D3/T19	SA2933SO Davis Aviation	103	
A185F "Skywagon, AGcarryall"	A F L	IO-550-D (TCM)		D3A34C401/90DFA-10	80.0	78.5	30		10.4		28.0				SA00344WI P. Ponk		
A185F "Skywagon, AGcarryall"		IO-550-D (TCM)	P4014808-05	D3A34C401/90DFA-10	80.0	78.0	30		11.2		28.5	D-6594	P	C290D3/T19	SA2933SO Davis Aviation	103	
A185F "Skywagon, AGcarryall"		IO-550-D (TCM)		D3A34C401/90DFA-10	80.0	78.0	30								SA1522GL Wipaire		
188 "AGwagon 230"	L	O-470-R (TCM)	OBSOLETE	2A34C50/90A-2	88.0	86.0	36		8.0		22.0			C290D3/T1 C290D2/T1		1	
188 "AGwagon 230"	L	O-470-R (TCM)	OBSOLETE	2A34C66/90AT-2	88.0	86.0	36		8.0		22.0			C290D3/T1 C290D2/T1		1	
188 "AGwagon 230"	L	O-470-R (TCM)	P2017294-52	2A34C201/90DA-2	88.0	86.5	30		10.5		24.5			C290D3/T1 C290D2/T1			
188 "AGwagon 230"	L	O-470-R (TCM)	P2033909-52	2A34C203/90DCA-2	88.0	86.5	30		10.0		24.5			C290D3/T1 C290D2/T1			
188 "AGwagon"	L	IO-550-D (TCM)	P2286737-51	B2A37C228/90RDA-4	86.0	84.0	30		11.5		29.5	D-3396	S		SA3243SO Davis Aviation		
188A "AGwagon A,B"	L	O-470-R (TCM)	OBSOLETE	2A34C50/90A-2	88.0	86.0	36		8.0		22.0			C290D3/T1 C290D2/T1		1	
188A "AGwagon A,B"	L	O-470-R (TCM)	OBSOLETE	2A34C66/90AT-2	88.0	86.0	36		8.0		22.0			C290D3/T1 C290D2/T1		1	
188A "AGwagon A,B"	L	O-470-R (TCM)	P2017294-52	2A34C201/90DA-2	88.0	86.5	30		10.5		24.5			C290D3/T1 C290D2/T1			
188A "AGwagon A,B"	L	O-470-R (TCM)	P2033909-52	2A34C203/90DCA-2	88.0	86.5	30		10.0		24.5			C290D3/T1 C290D2/T1			
188A "AGwagon A,B"	L	IO-550-D (TCM)	P2286737-51	B2A37C228/90RDA-4	86.0	84.0	30		11.5		29.5	D-3396	S		SA3243SO Davis Aviation		
188B (S/N 18800883 - 18801824) "AGpickup"	L	O-470-R (TCM)	OBSOLETE	2A34C50/90A-2	88.0	86.0	36		8.0		22.0			C290D3/T1 C290D2/T1		1	
188B (S/N 18800883 - 18801824) "AGpickup"	L	O-470-R (TCM)	OBSOLETE	2A34C66/90AT-2	88.0	86.0	36		8.0		22.0			C290D3/T1 C290D2/T1		1	
188B (S/N 18800883 - 18801824) "AGpickup"	L	O-470-R (TCM)	P2017294-52	2A34C201/90DA-2	88.0	86.5	30		10.5		24.5			C290D3/T1 C290D2/T1			
188B (S/N 18800883 - 18801824) "AGpickup"	L	O-470-R (TCM)	P2033909-52	2A34C203/90DCA-2	88.0	86.5	30		10.0		24.5			C290D3/T1 C290D2/T1			
188B (S/N 18801825 and up) "AGpickup"	L	O-470-S (TCM)	OBSOLETE	2A34C50/90A-2	88.0	86.0	36		8.0		22.0			C290D3/T1 C290D2/T1		1	
188B (S/N 18801825 and up) "AGpickup"	L	O-470-S (TCM)	OBSOLETE	2A34C66/90AT-2	88.0	86.0	36		8.0		22.0			C290D3/T1 C290D2/T1		1	

Constant Speed Propeller Applications

Aircraft		Engine		Part Number	Model	Diameter		Ref		Blade Angles			Spinner		Governors	STC Number STC Holder STC Kit P/N	Notes
Model	TYPE	Model (Make)	Model			Max	Min	Sta	Rev	Low or Flight Idle	Latch or Start Locks	High or Feather	Assembly P/N	Type			
188B (S/N 18801825 and up) "AGpickup"	L	O-470-S (TCM)	P2017294-52	2A34C201/90DA-2	88.0	86.5	30		10.5		24.5			C290D3/T1 C290D2/T1			
188B (S/N 18801825 and up) "AGpickup"	L	O-470-S (TCM)	P2033909-52	2A34C203/90DCA-2	88.0	86.5	30		10.0		24.5			C290D3/T1 C290D2/T1			
188B "AGpickup"	L	IO-550-D (TCM)	P2286737-51	B2A37C228/90RDA-4	86.0	84.0	30		11.5		29.5	D-3396	S		SA3243SO Davis Aviation		
A188 "AGwagon 300"	L	IO-520-D (TCM)	OBSOLETE	D2A34C58/90AT-4	86.0	84.0	36		8.0		25.0			C290D3/T9 C290D2/T9		1	
A188 "AGwagon 300"	L	IO-520-D (TCM)	OBSOLETE	F2A34C58/90AT-4	86.0	84.0	36		8.0		25.0			C290D3/T9 C290D2/T9		1	
A188 "AGwagon 300"	L	IO-520-D (TCM)	OBSOLETE	D2A34C58/90AT-8	82.0	80.0	36		8.8		25.8			C290D3/T9 C290D2/T9		1	
A188 "AGwagon 300"	L	IO-520-D (TCM)	OBSOLETE	D2A34C98/90AT-8	82.0	80.0	36		8.8		25.8			C290D3/T9 C290D2/T9		1	
A188 "AGwagon 300"	L	IO-520-D (TCM)	P4014808-09	D3A34C401/90DFA-2	88.0	86.5	30		10.0		28.0			C290D3/T9 C290D2/T9	SA00409WI Air Plains	84	
A188 "AGwagon 300"	L	IO-550-D (TCM)	P4014808-09	D3A34C401/90DFA-2	88.0	86.5	30		10.0		28.0			C290D3/T9 C290D2/T9	SA00409WI Air Plains	84	
A188 "AGwagon 300"	L	IO-550-D (TCM)	P2286737-51	B2A37C228/90RDA-4	86.0	84.0	30		11.5		29.5	D-3396	S		SA3243SO Davis Aviation		
A188A "AGwagon A,B"	L	IO-520-D (TCM)	OBSOLETE	D2A34C58/90AT-4	86.0	84.0	36		8.0		25.0			C290D3/T9 C290D2/T9		1	
A188A "AGwagon A,B"	L	IO-520-D (TCM)	OBSOLETE	F2A34C58/90AT-4	86.0	84.0	36		8.0		25.0			C290D3/T9 C290D2/T9		1	
A188A "AGwagon A,B"	L	IO-520-D (TCM)	OBSOLETE	D2A34C98/90AT-4	86.0	84.0	36		8.0		25.0			C290D3/T9 C290D2/T9		1	
A188A "AGwagon A,B"	L	IO-520-D (TCM)	OBSOLETE	D2A34C58/90AT-8	82.0	80.0	36		8.8		25.8			C290D3/T9 C290D2/T9		1	
A188A "AGwagon A,B"	L	IO-520-D (TCM)	OBSOLETE	D2A34C98/90AT-8	82.0	80.0	36		8.8		25.8			C290D3/T9 C290D2/T9		1	
A188A "AGwagon A,B"	L	IO-520-D (TCM)	P4014808-09	D3A34C401/90DFA-2	88.0	86.5	30		10.0		28.0			C290D3/T9 C290D2/T9	SA00409WI Air Plains	84	
A188A "AGwagon A,B"	L	IO-550-D (TCM)	P4014808-09	D3A34C401/90DFA-2	88.0	86.5	30		10.0		28.0			C290D3/T9 C290D2/T9	SA00409WI Air Plains	84	
A188A "AGwagon A,B"	L	IO-550-D (TCM)	P2286737-51	B2A37C228/90RDA-4	86.0	84.0	30		11.5		29.5	D-3396	S		SA3243SO Davis Aviation		
A188B (S/N 678T, 18800833 - 18803721) "AGwagon C, AGtruck"	L	IO-520-D (TCM)	OBSOLETE	D2A34C58/90AT-4	86.0	84.0	36		8.0		25.0			C290D3/T9 C290D2/T9		1	
A188B (S/N 678T, 18800833 - 18803721) "AGwagon C, AGtruck"	L	IO-520-D (TCM)	OBSOLETE	D2A34C98/90AT-4	86.0	84.0	36		8.0		25.0			C290D3/T9 C290D2/T9		1	
A188B (S/N 678T, 18800833 - 18803721) "AGwagon C, AGtruck"	L	IO-520-D (TCM)	OBSOLETE	D2A34C58/90AT-8	82.0	80.0	36		8.8		25.8			C290D3/T9 C290D2/T9		1	

Constant Speed Propeller Applications

Aircraft		Engine		Model	Diameter		Ref		Blade Angles			Spinner		Governors	STC Number STC Holder STC Kit P/N	Notes
Model	T Y P E	Model (Make)	Part Number		Max	Min	Sta	Rev	Low or Flight Idle	Latch or Start Locks	High or Feather	Assembly P/N	T y p e			
A188B (S/N 678T, 18800833 - 18803721) "AGwagon C, AGtruck"	L	IO-520-D (TCM)	OBSOLETE	D2A34C98/90AT-8	82.0	80.0	36		8.8		25.8			C290D3/T9 C290D2/T9		1
A188B (S/N 678T, 18802002 - 18803721, and see note 18) "AGwagon C, AGtruck"	L	IO-520-D (TCM)	OBSOLETE	D3A32C90/82NC-2	80.0	78.5	30		10.4		28.1			C290D3/T9 C290D2/T9		1
A188B (S/N 18803722 and on, and see note 19) "AGwagon C, AGtruck"	L	IO-520-D (TCM)	P2056588-51	B2A34C205/90DHA-4	86.0	84.5	30		9.7		28.5			C290D3/T9		19
A188B (S/N 18803722 and on) "AGwagon C, AGtruck"	L	IO-520-D (TCM)	P4084809-21	D3A32C408/82NDA-2	80.0	78.5	30		10.4		28.1			C290D3/T9		
A188B "AGwagon C, AGtruck"	L	IO-520-D (TCM)	P4014808-09	D3A34C401/90DFA-2	88.0	86.5	30		10.0		28.0			C290D3/T9 C290D2/T9	SA00409WI Air Plains	84
A188B "AGwagon C, AGtruck"	L	IO-550-D (TCM)	P4014808-09	D3A34C401/90DFA-2	88.0	86.5	30		10.0		28.0			C290D3/T9 C290D2/T9	SA00409WI Air Plains	84
A188B "AGwagon C, AGtruck"	L	IO-550-D (TCM)	P2286737-51	B2A37C228/90RDA-4	86.0	84.0	30		11.5		29.5	D-3396	S		SA3243SO Davis Aviation	
T188C "AGhusky"	L	TSIO-520-T (TCM)	P4024809-01	D3A34C402/90DFA-10	80.0	78.5	30		12.4		28.5			C290D3/T19		20
206 "Super Skywagon"	F	IO-520-A (TCM)	OBSOLETE	D2A34C58/90AT-2	88.0	84.0	36		9.0		25.8			C290D3/T5 C290D2/T5		1
206 "Super Skywagon"	L	IO-520-A (TCM)	OBSOLETE	D2A34C58/90AT-8	82.0	80.0	36		10.3		25.8			C290D3/T5 C290D2/T5		1
206 "Super Skywagon"		IO-520-A (TCM)	OBSOLETE	D3A32C90/82NC-2	80.0	78.0	30		11.3		28.1			C290D3/T5 C290D2/T5	SA635SW Jordan	1
206 "Super Skywagon"	F	IO-520-A (TCM)	P4014808-09	D3A34C401/90DFA-2	88.0	86.0	30		10.0		28.0			C290D3/T5 C290D2/T5	SA00393WI Air Plains	84
206 "Super Skywagon"	F	IO-520-A (TCM)	P4014808-12	D3A34C401/90DFA-4	86.0	84.0	30		10.0		28.0			C290D3/T5 C290D2/T5	SA00393WI Air Plains	84
206 "Super Skywagon"	L	IO-520-A (TCM)	P4014808-13	D3A34C401/90DFA-6	84.0	78.0	30		10.0		28.0			C290D3/T5 C290D2/T5	SA00393WI Air Plains	
206 "Super Skywagon"		IO-520-A (TCM)	P4014808-04	D3A34C401/90DFA-10	80.0	78.0	30		10.4		28.5	D-6594	P	C290D3/T5 C290D2/T5	SA01777AT Davis Aviation	103
206 "Super Skywagon"		IO-550-F (TCM)	P4014808-11	D3A34C401/90DFA-8	82.0	78.0	30		11.2		28.5	D-6594	P		SA2830SO Davis Aviation	103
206 "Super Skywagon"		IO-550-F (TCM)	P4014808-05	D3A34C401/90DFA-10	80.0	78.0	30		11.2		28.5	D-6594	P		SA2830SO Davis Aviation	103
206H "Stationair"		IO-540-AC1A5 (LY)	P4327345-01 P4327345-0153	B3D36C432/80VSA-1	79.0	77.5	30		12.6		30.0			DC290D1/T37		
T206H "Turbo Stationair"		TIO-540-AJ1A (LY)	P4327345-02 P4327345-0253	B3D36C432/80VSA-1	79.0	77.5	30		16.9		33.8			DC290D1/T25		
P206 "Super Skylane"	L	IO-520-A (TCM)	OBSOLETE	E2A34C64/90AT-8	82.0	80.0	36		10.3		25.8			C290D3/T5 C290D2/T5		1
P206 "Super Skylane"	L	IO-520-A (TCM)	OBSOLETE	E2A34C73/90AT-8	82.0	80.0	36		10.3		25.8			C290D3/T5 C290D2/T5		1
P206 "Super Skylane"	L	IO-520-A (TCM)	OBSOLETE	D3A32C88/82NC-2	80.0	78.0	30		13.8		28.1			C290D3/T5 C290D2/T5		1

Constant Speed Propeller Applications

Aircraft		Engine		Model	Diameter		Ref		Blade Angles			Spinner		Governors	STC Number STC Holder STC Kit P/N	Notes
Model	Type	Model (Make)	Part Number		Max	Min	Sta	Rev	Low or Flight Idle	Latch or Start Locks	High or Feather	Assembly P/N	Type			
P206 "Super Skylane"		IO-520-A (TCM)	P4024809-04	D3A34C402/90DFA-10	80.0	78.0	30		10.4		28.5			C290D3/T5 C290D2/T5	SA01777AT Davis Aviation	12 103
P206 "Super Skylane"		IO-520-A (TCM)	P4024809-04	D3A34C402/90DFA-10	80.0	78.0	30		10.4		28.5			C290D3/T5 C290D2/T5	SA942NE US Prop of Connecticut	12
P206 "Super Skylane"		IO-550-F (TCM)	P4024809-09	D3A34C402/90DFA-8	82.0	78.0	30		11.2		28.5				SA2830SO Davis Aviation	103
P206 "Super Skylane"		IO-550-F (TCM)	P4024809-03	D3A34C402/90DFA-10	80.0	78.0	30		11.2		28.5				SA2830SO Davis Aviation	103
P206 "Utility"	F	IO-520-A (TCM)	OBSOLETE	D2A34C58/90AT-2	88.0	84.0	36		9.0		25.8			C290D3/T5 C290D2/T5		1
P206 "Utility"		IO-520-A (TCM)	OBSOLETE	D3A32C90/82NC-2	80.0	78.0	30		11.3		28.1			C290D3/T5 C290D2/T5	SA635SW Jordan	1
P206 "Utility"	F	IO-520-A (TCM)	P4014808-09	D3A34C401/90DFA-2	88.0	86.0	30		10.0		28.0			C290D3/T5 C290D2/T5	SA00393WI Air Plains	84 87
P206 "Utility"	F	IO-520-A (TCM)	P4014808-12	D3A34C401/90DFA-4	86.0	84.0	30		10.0		28.0			C290D3/T5 C290D2/T5	SA00393WI Air Plains	84 87
P206 "Utility"	L	IO-520-A (TCM)	P4014808-13	D3A34C401/90DFA-6	84.0	78.0	30		10.0		28.0			C290D3/T5 C290D2/T5	SA00393WI Air Plains	87
P206 "Utility"		IO-520-A (TCM)	P4014808-04	D3A34C401/90DFA-10	80.0	78.0	30		10.4		28.5	D-6594	P	C290D3/T5 C290D2/T5	SA01777AT Davis Aviation	103
P206 "Utility"		IO-550-F (TCM)	P4014808-11	D3A34C401/90DFA-8	82.0	78.0	30		11.2		28.5	D-6594	P		SA2830SO Davis Aviation	103
P206 "Utility"		IO-550-F (TCM)	P4014808-05	D3A34C401/90DFA-10	80.0	78.0	30		11.2		28.5	D-6594	P		SA2830SO Davis Aviation	103
P206A "Super Skylane"	L	IO-520-A (TCM)	OBSOLETE	E2A34C73/90AT-8	82.0	80.0	36		10.3		25.8			C290D3/T5 C290D2/T5		1
P206A "Super Skylane"	L	IO-520-A (TCM)	OBSOLETE	D3A32C77/82NK-2	80.0	78.0	30		11.3		27.6			C290D3/T5 C290D2/T5		1
P206A "Super Skylane"	L	IO-520-A (TCM)	OBSOLETE	D3A32C88/82NC-2	80.0	78.0	30		13.8		28.1			C290D3/T5 C290D2/T5		1
P206A "Super Skylane"	L F	IO-520-A (TCM)	P4024809-05	D3A34C402/90DFA-8	82.0	80.5	30		10.4		28.0			C290D3/T5 C290D2/T5	SA00428WI P. Ponk	91
P206A "Super Skylane"	L F	IO-520-A (TCM)		D3A34C402/90DFA-10	80.0	78.5	30		10.4		28.0			C290D3/T5 C290D2/T5	SA00428WI P. Ponk	12 91
P206A "Super Skylane"		IO-520-A (TCM)	P4024809-04	D3A34C402/90DFA-10	80.0	78.0	30		10.4		28.5			C290D3/T5 C290D2/T5	SA01777AT Davis Aviation	12 103
P206A "Super Skylane"		IO-520-A (TCM)	P4024809-04	D3A34C402/90DFA-10	80.0	78.0	30		10.4		28.5			C290D3/T5 C290D2/T5	SA942NE US Prop of Connecticut	12
P206A "Super Skylane"		IO-550-F (TCM)	P4024809-09	D3A34C402/90DFA-8	82.0	78.0	30		11.2		28.5				SA2830SO Davis Aviation	103
P206A "Super Skylane"		IO-550-F (TCM)	P4024809-03	D3A34C402/90DFA-10	80.0	78.0	30		11.2		28.5				SA2830SO Davis Aviation	103
P206A "Utility"	L	IO-520-A (TCM)	OBSOLETE	D2A34C58/90AT-8	82.0	80.0	36		10.3		25.8			C290D3/T5 C290D2/T5		1
P206A "Utility"	F	IO-520-A (TCM)	OBSOLETE	D2A34C58/90AT-2	88.0	84.0	36		9.0		25.8			C290D3/T5 C290D2/T5		1
P206A "Utility"	L	IO-520-A (TCM)	OBSOLETE	D3A32C79/82NK-2	80.0	78.0	30		11.3		27.6			C290D3/T5 C290D2/T5		1
P206A "Utility"	L	IO-520-A (TCM)	OBSOLETE	D3A32C90/82NC-2	80.0	78.0	30		13.8		28.1			C290D3/T5 C290D2/T5		1

Constant Speed Propeller Applications

Aircraft		Engine			Diameter		Ref	Blade Angles				Spinner		Governors	STC Number STC Holder STC Kit P/N	Notes
Model	Type	Model (Make)	Part Number	Model	Max	Min	Sta	Rev	Low or Flight Idle	Latch or Start Locks	High or Feather	Assembly P/N	Type			
P206A "Utility"	F	IO-520-A (TCM)	P4014808-09	D3A34C401/90DFA-2	88.0	86.0	30		10.0		28.0			C290D3/T5 C290D2/T5	SA00393WI Air Plains	84 87
P206A "Utility"	F	IO-520-A (TCM)	P4014808-12	D3A34C401/90DFA-4	86.0	84.0	30		10.0		28.0			C290D3/T5 C290D2/T5	SA00393WI Air Plains	84 87
P206A "Utility"	L	IO-520-A (TCM)	P4014808-13	D3A34C401/90DFA-6	84.0	78.0	30		10.0		28.0			C290D3/T5 C290D2/T5	SA00393WI Air Plains	87
P206A "Utility"		IO-520-A (TCM)	P4014808-04	D3A34C401/90DFA-10	80.0	78.0	30		10.4		28.5	D-6594	P	C290D3/T5 C290D2/T5	SA01777AT Davis Aviation	103
P206A "Utility"		IO-550-F (TCM)	P4014808-11	D3A34C401/90DFA-8	82.0	78.0	30		11.2		28.5	D-6594	P		SA2830SO Davis Aviation	103
P206A "Utility"		IO-550-F (TCM)	P4014808-05	D3A34C401/90DFA-10	80.0	78.0	30		11.2		28.5	D-6594	P		SA2830SO Davis Aviation	103
P206B "Super Skylane"	L	IO-520-A (TCM)	OBSOLETE	E2A34C73/90AT-8	82.0	80.0	36		10.3		25.8			C290D3/T5 C290D2/T5		1
P206B "Super Skylane"	L	IO-520-A (TCM)	OBSOLETE	D3A32C88/82NC-2	80.0	78.0	30		13.8		28.1			C290D3/T5 C290D2/T5		1
P206B "Super Skylane"	L F	IO-520-A (TCM)	P4024809-05	D3A34C402/90DFA-8	82.0	80.5	30		10.4		28.0			C290D3/T5 C290D2/T5	SA00428WI P. Ponk	91
P206B "Super Skylane"	L F	IO-520-A (TCM)		D3A34C402/90DFA-10	80.0	78.5	30		10.4		28.0			C290D3/T5 C290D2/T5	SA00428WI P. Ponk	12 91
P206B "Super Skylane"		IO-520-A (TCM)	P4024809-04	D3A34C402/90DFA-10	80.0	78.0	30		10.4		28.5			C290D3/T5 C290D2/T5	SA01777AT Davis Aviation	12 103
P206B "Super Skylane"		IO-520-A (TCM)	P4024809-04	D3A34C402/90DFA-10	80.0	78.0	30		10.4		28.5			C290D3/T5 C290D2/T5	SA942NE US Prop of Connecticut	12
P206B "Super Skylane"		IO-550-F (TCM)	P4024809-09	D3A34C402/90DFA-8	82.0	78.0	30		11.2		28.5				SA2830SO Davis Aviation	103
P206B "Super Skylane"		IO-550-F (TCM)	P4024809-03	D3A34C402/90DFA-10	80.0	78.0	30		11.2		28.5				SA2830SO Davis Aviation	103
P206B "Utility"	F	IO-520-A (TCM)	OBSOLETE	D2A34C58/90AT-2	88.0	84.0	36		9.0		25.8			C290D3/T5 C290D2/T5		1
P206B "Utility"	F	IO-520-A (TCM)	P4014808-09	D3A34C401/90DFA-2	88.0	86.0	30		10.0		28.0			C290D3/T5 C290D2/T5	SA00393WI Air Plains	84 87
P206B "Utility"	F	IO-520-A (TCM)	P4014808-12	D3A34C401/90DFA-4	86.0	84.0	30		10.0		28.0			C290D3/T5 C290D2/T5	SA00393WI Air Plains	84 87
P206B "Utility"	L	IO-520-A (TCM)	P4014808-13	D3A34C401/90DFA-6	84.0	78.0	30		10.0		28.0			C290D3/T5 C290D2/T5	SA00393WI Air Plains	87
P206B "Utility"		IO-520-A (TCM)	P4014808-04	D3A34C401/90DFA-10	80.0	78.0	30		10.4		28.5	D-6594	P	C290D3/T5 C290D2/T5	SA01777AT Davis Aviation	103
P206B "Utility"		IO-550-F (TCM)	P4014808-11	D3A34C401/90DFA-8	82.0	78.0	30		11.2		28.5	D-6594	P		SA2830SO Davis Aviation	103
P206B "Utility"		IO-550-F (TCM)	P4014808-05	D3A34C401/90DFA-10	80.0	78.0	30		11.2		28.5	D-6594	P		SA2830SO Davis Aviation	103
P206C "Super Skylane"	L	IO-520-A (TCM)	OBSOLETE	E2A34C73/90AT-8	82.0	80.0	36		10.3		25.8			C290D3/T5 C290D2/T5		1
P206C "Super Skylane"	L	IO-520-A (TCM)	OBSOLETE	D3A32C88/82NC-2	80.0	78.0	30		13.8		28.1			C290D3/T5 C290D2/T5		1
P206C "Super Skylane"	L F	IO-520-A (TCM)	P4024809-05	D3A34C402/90DFA-8	82.0	80.5	30		10.4		28.0			C290D3/T5 C290D2/T5	SA00428WI P. Ponk	12 91
P206C "Super Skylane"	L F	IO-520-A (TCM)		D3A34C402/90DFA-10	80.0	78.5	30		10.4		28.0			C290D3/T5 C290D2/T5	SA00428WI P. Ponk	12 91

Constant Speed Propeller Applications

Aircraft		Engine		Model	Diameter		Ref		Blade Angles			Spinner		Governors	STC Number STC Holder STC Kit P/N	Notes
Model	T Y P E	Model (Make)	Part Number		Max	Min	Sta	Rev	Low or Flight Idle	Latch or Start Locks	High or Feather	Assembly P/N	T y p e			
P206C "Super Skylane"		IO-520-A (TCM)	P4024809-04	D3A34C402/90DFA-10	80.0	78.0	30		10.4		28.5			C290D3/T5 C290D2/T5	SA01777AT Davis Aviation	12 103
P206C "Super Skylane"		IO-520-A (TCM)	P4024809-04	D3A34C402/90DFA-10	80.0	78.0	30		10.4		28.5			C290D3/T5 C290D2/T5	SA942NE US Prop of Connecticut	12
P206C "Super Skylane"		IO-550-F (TCM)	P4024809-09	D3A34C402/90DFA-8	82.0	78.0	30		11.2		28.5				SA2830SO Davis Aviation	103
P206C "Super Skylane"		IO-550-F (TCM)	P4024809-03	D3A34C402/90DFA-10	80.0	78.0	30		11.2		28.5				SA2830SO Davis Aviation	103
P206D "Super Skylane"	L	IO-520-A (TCM)	OBSOLETE	E2A34C73/90AT-8	82.0	80.0	36		10.3		25.8			C290D3/T5 C290D2/T5		1
P206D "Super Skylane"	L	IO-520-A (TCM)	OBSOLETE	D3A32C88/82NC-2	80.0	78.0	30		13.8		28.1			C290D3/T5 C290D2/T5		1
P206D "Super Skylane"	L F	IO-520-A (TCM)	P4024809-05	D3A34C402/90DFA-8	82.0	80.5	30		10.4		28.0			C290D3/T5 C290D2/T5	SA00428WI P. Ponk	12 91
P206D "Super Skylane"	L F	IO-520-A (TCM)		D3A34C402/90DFA-10	80.0	78.5	30		10.4		28.0			C290D3/T5 C290D2/T5	SA00428WI P. Ponk	12 91
P206D "Super Skylane"		IO-520-A (TCM)	P4024809-04	D3A34C402/90DFA-10	80.0	78.0	30		10.4		28.5			C290D3/T5 C290D2/T5	SA01777AT Davis Aviation	12 103
P206D "Super Skylane"		IO-520-A (TCM)	P4024809-04	D3A34C402/90DFA-10	80.0	78.0	30		10.4		28.5			C290D3/T5 C290D2/T5	SA942NE US Prop of Connecticut	12
P206D "Super Skylane"		IO-550-F (TCM)	P4024809-09	D3A34C402/90DFA-8	82.0	78.0	30		11.2		28.5				SA2830SO Davis Aviation	103
P206D "Super Skylane"		IO-550-F (TCM)	P4024809-03	D3A34C402/90DFA-10	80.0	78.0	30		11.2		28.5				SA2830SO Davis Aviation	103
P206E "Super Skylane"	L	IO-520-A (TCM)	OBSOLETE	E2A34C73/90AT-8	82.0	80.0	36		10.3		25.8			C290D3/T5 C290D2/T5		1
P206E "Super Skylane"	L	IO-520-A (TCM)	OBSOLETE	D3A32C88/82NC-2	80.0	78.0	30		13.8		28.1			C290D3/T5 C290D2/T5		1
P206E "Super Skylane"	L F	IO-520-A (TCM)	P4024809-05	D3A34C402/90DFA-8	82.0	78.5	30		10.4		28.0			C290D3/T5 C290D2/T5	SA00428WI P. Ponk	12 91
P206E "Super Skylane"	L F	IO-520-A (TCM)		D3A34C402/90DFA-10	80.0	78.5	30		10.4		28.0			C290D3/T5 C290D2/T5	SA00428WI P. Ponk	12 91
P206E "Super Skylane"		IO-520-A (TCM)	P4024809-04	D3A34C402/90DFA-10	80.0	78.0	30		10.4		28.5			C290D3/T5 C290D2/T5	SA01777AT Davis Aviation	12 103
P206E "Super Skylane"		IO-520-A (TCM)	P4024809-04	D3A34C402/90DFA-10	80.0	78.0	30		10.4		28.5			C290D3/T5 C290D2/T5	SA942NE US Prop of Connecticut	12
P206E "Super Skylane"		IO-550-F (TCM)	P4024809-09	D3A34C402/90DFA-8	82.0	78.0	30		11.2		28.5				SA2830SO Davis Aviation	103
P206E "Super Skylane"		IO-550-F (TCM)	P4024809-03	D3A34C402/90DFA-10	80.0	78.0	30		11.2		28.5				SA2830SO Davis Aviation	103
TP206A "Turbo Utility"	F	TSIO-520-C (TCM)	OBSOLETE	D2A34C58/90AT-2	88.0	86.0	36		9.0		25.8			C290D4/T2 C290D2/T2		1
TP206A "Turbo Utility"	L	TSIO-520-C (TCM)	OBSOLETE	D2A34C78/90AT-8	82.0	80.0	36		11.8		32.0			C290D4/T2 C290D2/T2		1
TP206A "Turbo Utility"	L	TSIO-520-C (TCM)	OBSOLETE	D3A32C79/82NK-2	80.0	78.0	30		13.2		32.5			C290D4/T2 C290D2/T2		1
TP206A "Turbo Utility"	L	TSIO-520-C (TCM)	OBSOLETE	D3A32C90/82NC-2	80.0	78.0	30		14.0		33.0			C290D4/T2 C290D2/T2		1

Constant Speed Propeller Applications

Aircraft		Engine			Diameter		Ref		Blade Angles			Spinner		Governors	STC Number STC Holder STC Kit P/N	Notes
Model	TYPE	Model (Make)	Part Number	Model	Max	Min	Sta	Rev	Low or Flight Idle	Latch or Start Locks	High or Feather	Assembly P/N	Type			
TP206A "Turbo Utility"	F	TSIO-520-C (TCM)	P4014808-09	D3A34C401/90DFA-2	88.0	86.0	30		10.0		28.0			C290D4/T2 C290D2/T2	SA00393WI Air Plains	85 87
TP206A "Turbo Utility"	F	TSIO-520-C (TCM)	P4014808-12	D3A34C401/90DFA-4	86.0	84.0	30		10.0		28.0			C290D4/T2 C290D2/T2	SA00393WI Air Plains	85 87
TP206A "Turbo Utility"	L	TSIO-520-C (TCM)	P4014808-13	D3A34C401/90DFA-6	84.0	78.0	30		10.0		28.0			C290D4/T2 C290D2/T2	SA00393WI Air Plains	86 87
TP206A "Turbo Utility"		IO-550-F (TCM)	P4014808-05	D3A34C401/90DFA-10	80.0	78.0	30		11.2		28.5				SA01300AT Davis Aviation	103
TP206A "Turbo Super Skylane"	L	TSIO-520-C (TCM)	OBSOLETE	E2A34C70/90AT-8	82.0	80.0	36		11.8		32.0			C290D4/T2 C290D2/T2		1
TP206A "Turbo Super Skylane"	L	TSIO-520-C (TCM)	OBSOLETE	D3A32C77/82NK-2	80.0	78.0	30		13.2		32.5			C290D4/T2 C290D2/T2		1
TP206A "Turbo Super Skylane"	L	TSIO-520-C (TCM)	OBSOLETE	D3A32C88/82NC-2	80.0	78.0	30		14.0		33.0			C290D4/T2 C290D2/T2		1
TP206A "Turbo Super Skylane"	L F	TSIO-520-C (TCM)	P4024809-05	D3A34C402/90DFA-8	82.0	80.5	30		10.4		28.0			C290D4/T2 C290D2/T2	SA00428WI P. Ponk	91 86
TP206A "Turbo Super Skylane"	L F	TSIO-520-C (TCM)		D3A34C402/90DFA-10	80.0	78.5	30		10.4		28.0			C290D4/T2 C290D2/T2	SA00428WI P. Ponk	91 86
TP206A "Turbo Super Skylane"	L F	TSIO-520-C (TCM)	P4024809-04	D3A34C402/90DFA-10	80.0	78.5	30		10.4		28.5			C290D4/T2 C290D2/T2	SA942NE US Prop of Connecticut	12
TP206A "Turbo Super Skylane"		IO-550-F (TCM)	P4024809-03	D3A34C402/90DFA-10	80.0	78.0	30		11.2		28.5				SA01300AT Davis Aviation	103
TP206B "Turbo Super Skylane"	L	TSIO-520-C (TCM)	OBSOLETE	E2A34C70/90AT-8	82.0	80.0	36		11.8		32.0			C290D4/T2 C290D2/T2		1
TP206B "Turbo Super Skylane"	L	TSIO-520-C (TCM)	OBSOLETE	D3A32C77/82NK-2	80.0	78.0	30		13.2		32.5			C290D4/T2 C290D2/T2		1
TP206B "Turbo Super Skylane"	L	TSIO-520-C (TCM)	OBSOLETE	D3A32C88/82NC-2	80.0	78.0	30		14.0		33.0			C290D4/T2 C290D2/T2		1
TP206B "Turbo Super Skylane"	L F	TSIO-520-C (TCM)	P4024809-05	D3A34C402/90DFA-8	82.0	80.5	30		10.4		28.0			C290D4/T2 C290D2/T2	SA00428WI P. Ponk	91 86
TP206B "Turbo Super Skylane"	L F	TSIO-520-C (TCM)		D3A34C402/90DFA-10	80.0	78.5	30		10.4		28.0			C290D4/T2 C290D2/T2	SA00428WI P. Ponk	91 86
TP206B "Turbo Super Skylane"		TSIO-520-C (TCM)	P4024809-04	D3A34C402/90DFA-10	80.0	78.5	30		10.4		28.5			C290D4/T2 C290D2/T2	SA942NE US Prop of Connecticut	12
TP206B "Turbo Super Skylane"		IO-550-F (TCM)	P4024809-03	D3A34C402/90DFA-10	80.0	78.0	30		11.2		28.5				SA01300AT Davis Aviation	103
TP206C "Turbo Super Skylane"	L	TSIO-520-C (TCM)	OBSOLETE	E2A34C70/90AT-8	82.0	80.0	36		11.8		32.0			C290D4/T2 C290D2/T2		1
TP206C "Turbo Super Skylane"	L	TSIO-520-C (TCM)	OBSOLETE	D3A32C88/82NC-2	80.0	78.0	30		14.0		33.0			C290D4/T2 C290D2/T2		1
TP206C "Turbo Super Skylane"	L F	TSIO-520-C (TCM)	P4024809-05	D3A34C402/90DFA-8	82.0	80.5	30		10.4		28.0			C290D4/T2 C290D2/T2	SA00428WI P. Ponk	91 86
TP206C "Turbo Super Skylane"	L F	TSIO-520-C (TCM)		D3A34C402/90DFA-10	80.0	78.5	30		10.4		28.0			C290D4/T2 C290D2/T2	SA00428WI P. Ponk	91 86
TP206C "Turbo Super Skylane"		TSIO-520-C (TCM)	P4024809-04	D3A34C402/90DFA-10	80.0	78.5	30		10.4		28.5			C290D4/T2 C290D2/T2	SA942NE US Prop of Connecticut	12
TP206C "Turbo Super Skylane"		IO-550-F (TCM)	P4024809-03	D3A34C402/90DFA-10	80.0	78.0	30		11.2		28.5				SA01300AT Davis Aviation	103

Constant Speed Propeller Applications

Aircraft		Engine			Diameter		Ref	Blade Angles				Spinner		Governors	STC Number STC Holder STC Kit P/N	Notes
Model	T Y P E	Model (Make)	Part Number	Model	Max	Min	Sta	Rev	Low or Flight Idle	Latch or Start Locks	High or Feather	Assembly P/N	T y p e			
TP206D "Turbo Super Skylane"	L	TSIO-520-C (TCM)	OBSOLETE	E2A34C70/90AT-8	82.0	80.0	36		11.8		32.0			C290D4/T2 C290D2/T2		1
TP206D "Turbo Super Skylane"	L	TSIO-520-C (TCM)	OBSOLETE	D3A32C88/82NC-2	80.0	78.0	30		14.0		33.0			C290D4/T2 C290D2/T2		1
TP206D "Turbo Super Skylane"	L F	TSIO-520-C (TCM)	P4024809-05	D3A34C402/90DFA-8	82.0	80.5	30		10.4		28.0			C290D4/T2 C290D2/T2	SA00428WI P. Ponk	91 86
TP206D "Turbo Super Skylane"	L F	TSIO-520-C (TCM)		D3A34C402/90DFA-10	80.0	78.5	30		10.4		28.0			C290D4/T2 C290D2/T2	SA00428WI P. Ponk	86 91
TP206D "Turbo Super Skylane"		TSIO-520-C (TCM)	P4024809-04	D3A34C402/90DFA-10	80.0	78.5	30		10.4		28.5			C290D4/T2 C290D2/T2	SA942NE US Prop of Connecticut	12
TP206D "Turbo Super Skylane"		IO-550-F (TCM)	P4024809-03	D3A34C402/90DFA-10	80.0	78.0	30		11.2		28.5				SA01300AT Davis Aviation	103
TP206E "Turbo Super Skylane"	L	TSIO-520-C (TCM)	OBSOLETE	E2A34C70/90AT-8	82.0	80.0	36		11.8		32.0			C290D4/T2 C290D2/T2		1
TP206E "Turbo Super Skylane"	L	TSIO-520-C (TCM)	OBSOLETE	D3A32C88/82NC-2	80.0	78.0	30		14.0		33.0			C290D4/T2 C290D2/T2		1
TP206E "Turbo Super Skylane"	L F	TSIO-520-C (TCM)	P4024809-05	D3A34C402/90DFA-8	82.0	80.5	30		10.4		28.0			C290D4/T2 C290D2/T2	SA00428WI P. Ponk	91 86
TP206E "Turbo Super Skylane"	L F	TSIO-520-C (TCM)		D3A34C402/90DFA-10	80.0	78.5	30		10.4		28.0			C290D4/T2 C290D2/T2	SA00428WI P. Ponk	91 86
TP206E "Turbo Super Skylane"		TSIO-520-C (TCM)	P4024809-04	D3A34C402/90DFA-10	80.0	78.5	30		10.4		28.5			C290D4/T2 C290D2/T2	SA942NE US Prop of Connecticut	12
TP206E "Turbo Super Skylane"		IO-550-F (TCM)	P4024809-03	D3A34C402/90DFA-10	80.0	78.0	30		11.2		28.5				SA01300AT Davis Aviation	103
U206 "Super Skywagon"	F	IO-520-A (TCM)	OBSOLETE	D2A34C58/90AT-2	88.0	84.0	36		9.0		25.8			C290D3/T5 C290D2/T5		1
U206 "Super Skywagon"	L	IO-520-A (TCM)	OBSOLETE	D2A34C58/90AT-8	82.0	80.0	36		10.3		25.8			C290D3/T5 C290D2/T5		1
U206 "Super Skywagon"		IO-520-A (TCM)	OBSOLETE	D3A32C90/82NC-2	80.0	78.0	30		11.3		28.1			C290D3/T5 C290D2/T5	SA635SW Jordan	1
U206 "Super Skywagon"	F	IO-520-A (TCM)	P4014808-09	D3A34C401/90DFA-2	88.0	86.0	30		10.0		28.0			C290D3/T5 C290D2/T5	SA00393WI Air Plains	84
U206 "Super Skywagon"	F	IO-520-A (TCM)	P4014808-12	D3A34C401/90DFA-4	86.0	84.0	30		10.0		28.0			C290D3/T5 C290D2/T5	SA00393WI Air Plains	84
U206 "Super Skywagon"	L	IO-520-A (TCM)	P4014808-13	D3A34C401/90DFA-6	84.0	78.0	30		10.0		28.0			C290D3/T5 C290D2/T5	SA00393WI Air Plains	
U206 "Super Skywagon"		IO-520-A (TCM)	P4014808-04	D3A34C401/90DFA-10	80.0	78.0	30		10.4		28.5	D-6594	P	C290D3/T5 C290D2/T5	SA01777AT Davis Aviation	103
U206 "Super Skywagon"		IO-520-A (TCM)	P4014808-04	D3A34C401/90DFA-10	80.0	78.5	30		10.4		28.5			C290D3/T5 C290D2/T5	SA964NE US Prop of Connecticut	104
U206 "Super Skywagon"		IO-550-F (TCM)	P4014808-11	D3A34C401/90DFA-8	82.0	78.0	30		11.2		28.5	D-6594	P		SA2830SO Davis Aviation	103
U206 "Super Skywagon"		IO-550-F (TCM)	P4014808-05	D3A34C401/90DFA-10	80.0	78.0	30		11.2		28.5	D-6594	P		SA2830SO Davis Aviation	103
U206A "Super Skywagon"	L	IO-520-A (TCM)	OBSOLETE	D2A34C58/90AT-8	82.0	80.0	36		10.3		25.8			C290D3/T5 C290D2/T5		1
U206A "Super Skywagon"	L	IO-520-A (TCM)	OBSOLETE	D3A32C79/82NK-2	80.0	78.0	30		11.3		27.6			C290D3/T5 C290D2/T5		1

Constant Speed Propeller Applications

Aircraft		Engine			Diameter		Ref	Blade Angles				Spinner		Governors	STC Number STC Holder STC Kit P/N	Notes
Model	T Y P E	Model (Make)	Part Number	Model	Max	Min	Sta	Rev	Low or Flight Idle	Latch or Start Locks	High or Feather	Assembly P/N	T y p e			
U206A "Super Skywagon"	F L	IO-520-A (TCM)	OBSOLETE	D3A32C90/82NC-2	80.0	78.0	30		13.8		28.1			C290D3/T5 C290D2/T5		1
U206A "Super Skywagon"	F	IO-520-A (TCM)	OBSOLETE	D2A34C58/90AT-2	88.0	84.0	36		9.0		25.8			C290D3/T5 C290D2/T5		1
U206A "Super Skywagon"	F	IO-520-A (TCM)	P4014808-09	D3A34C401/90DFA-2	88.0	86.0	30		10.0		28.0			C290D3/T5 C290D2/T5	SA00393WI Air Plains	84
U206A "Super Skywagon"	F	IO-520-A (TCM)	P4014808-12	D3A34C401/90DFA-4	86.0	84.0	30		10.0		28.0			C290D3/T5 C290D2/T5	SA00393WI Air Plains	84
U206A "Super Skywagon"	L	IO-520-A (TCM)	P4014808-13	D3A34C401/90DFA-6	84.0	78.0	30		10.0		28.0			C290D3/T5 C290D2/T5	SA00393WI Air Plains	
U206A "Super Skywagon"		IO-520-A (TCM)	P4014808-04	D3A34C401/90DFA-10	80.0	78.0	30		10.4		28.5	D-6594	P	C290D3/T5 C290D2/T5	SA01777AT Davis Aviation	103
U206A "Super Skywagon"		IO-520-A (TCM)	P4014808-04	D3A34C401/90DFA-10	80.0	78.5	30		10.4		28.5			C290D3/T5 C290D2/T5	SA964NE US Prop of Connecticut	104
U206A "Super Skywagon"		IO-550-F (TCM)	P4014808-11	D3A34C401/90DFA-8	82.0	78.0	30		11.2		28.5	D-6594	P		SA2830SO Davis Aviation	103
U206A "Super Skywagon"		IO-550-F (TCM)	P4014808-05	D3A34C401/90DFA-10	80.0	78.0	30		11.2		28.5	D-6594	P		SA2830SO Davis Aviation	103
U206B "Super Skywagon"	L	IO-520-F (TCM)	OBSOLETE	D2A34C58/90AT-8	82.0	80.0	36		9.5		25.8			C290D4/T4 C290D2/T4		1
U206B "Super Skywagon"	F	IO-520-F (TCM)	OBSOLETE	D2A34C58/90AT-4	86.0	84.0	36		8.0		25.0			C290D4/T4 C290D2/T4		1
U206B "Super Skywagon"	F L	IO-520-F (TCM)	OBSOLETE	D3A32C90/82NC-2	80.0	78.0	30		11.5		28.1			C290D4/T4 C290D2/T4		1
U206B "Super Skywagon"	F	IO-520-F (TCM)	P4014808-09	D3A34C401/90DFA-2	88.0	86.0	30		10.0		28.0			C290D4/T4 C290D2/T4	SA00393WI Air Plains	84
U206B "Super Skywagon"	F	IO-520-F (TCM)	P4014808-12	D3A34C401/90DFA-4	86.0	84.0	30		10.0		28.0			C290D4/T4 C290D2/T4	SA00393WI Air Plains	84
U206B "Super Skywagon"	L	IO-520-F (TCM)	P4014808-13	D3A34C401/90DFA-6	84.0	78.0	30		10.0		28.0			C290D4/T4 C290D2/T4	SA00393WI Air Plains	
U206B "Super Skywagon"		IO-520-F (TCM)	P4014808-04	D3A34C401/90DFA-10	80.0	78.0	30		10.4		28.5	D-6594	P	C290D4/T4 C290D2/T4	SA01777AT Davis Aviation	103
U206B "Super Skywagon"		IO-520-F (TCM)	P4014808-04	D3A34C401/90DFA-10	80.0	78.5	30		10.4		28.5			C290D4/T4 C290D2/T4	SA964NE US Prop of Connecticut	104
U206B "Super Skywagon"		IO-550-F (TCM)	P4014808-11	D3A34C401/90DFA-8	82.0	78.0	30		11.2		28.5	D-6594	P		SA2830SO Davis Aviation	103
U206B "Super Skywagon"		IO-550-F (TCM)	P4014808-05	D3A34C401/90DFA-10	80.0	78.0	30		11.2		28.5	D-6594	P		SA2830SO Davis Aviation	103
U206B "Super Skywagon"	L	IO-550-F (TCM)	P4014808-05	D3A34C401/90DFA-10	80.0		30		11.2		28.5				SA00332AT AERO MOD	
U206B "Super Skywagon"		IO-550-N (TCM)		Hartzell										C290D4/T5	SA02507AT Atlantic Aero	
U206C "Super Skywagon"	L	IO-520-F (TCM)	OBSOLETE	D2A34C58/90AT-8	82.0	80.0	36		9.5		25.8			C290D4/T4 C290D2/T4		1
U206C "Super Skywagon"	F L	IO-520-F (TCM)	OBSOLETE	D3A32C90/82NC-2	80.0	78.0	30		11.5		28.1			C290D4/T4 C290D2/T4		1
U206C "Super Skywagon"	F	IO-520-F (TCM)	OBSOLETE	D2A34C58/90AT-4	86.0	84.0	36		8.0		25.0			C290D4/T4 C290D2/T4		1
U206C "Super Skywagon"	F	IO-520-F (TCM)	P4014808-09	D3A34C401/90DFA-2	88.0	86.0	30		10.0		28.0			C290D4/T4 C290D2/T4	SA00393WI Air Plains	84

Constant Speed Propeller Applications

Aircraft		Engine			Diameter		Ref	Blade Angles				Spinner		Governors	STC Number STC Holder STC Kit P/N	Notes
Model	T Y P E	Model (Make)	Part Number	Model	Max	Min	Sta	Rev	Low or Flight Idle	Latch or Start Locks	High or Feather	Assembly P/N	T y p e			
U206C "Super Skywagon"	F	IO-520-F (TCM)	P4014808-12	D3A34C401/90DFA-4	86.0	84.0	30		10.0		28.0			C290D4/T4 C290D2/T4	SA00393WI Air Plains	84
U206C "Super Skywagon"	L	IO-520-F (TCM)	P4014808-13	D3A34C401/90DFA-6	84.0	78.0	30		10.0		28.0			C290D4/T4 C290D2/T4	SA00393WI Air Plains	
U206C "Super Skywagon"		IO-520-F (TCM)	P4014808-04	D3A34C401/90DFA-10	80.0	78.0	30		10.4		28.5	D-6594	P	C290D4/T4 C290D2/T4	SA01777AT Davis Aviation	103
U206C "Super Skywagon"		IO-520-F (TCM)	P4014808-04	D3A34C401/90DFA-10	80.0	78.5	30		10.4		28.5			C290D4/T4 C290D2/T4	SA964NE US Prop of Connecticut	104
U206C "Super Skywagon"		IO-550-F (TCM)	P4014808-11	D3A34C401/90DFA-8	82.0	78.0	30		11.2		28.5	D-6594	P		SA2830SO Davis Aviation	103
U206C "Super Skywagon"		IO-550-F (TCM)	P4014808-05	D3A34C401/90DFA-10	80.0	78.0	30		11.2		28.5	D-6594	P		SA2830SO Davis Aviation	103
U206C "Super Skywagon"	L	IO-550-F (TCM)	P4014808-05	D3A34C401/90DFA-10	80.0		30		11.2		28.5				SA00332AT AERO MOD	
U206C "Super Skywagon"		IO-550-N (TCM)		Hartzell										C290D4/T5	SA02507AT Atlantic Aero	
U206D "Skywagon"	L	IO-520-F (TCM)	OBSOLETE	D2A34C58/90AT-8	82.0	80.0	36		9.5		25.8			C290D4/T4 C290D2/T4		1
U206D "Skywagon"	F L	IO-520-F (TCM)	OBSOLETE	D3A32C90/82NC-2	80.0	78.0	30		11.5		28.1			C290D4/T4 C290D2/T4		1
U206D "Skywagon"	F	IO-520-F (TCM)	OBSOLETE	D2A34C58/90AT-4	86.0	84.0	36		8.0		25.0			C290D4/T4 C290D2/T4		1
U206D "Skywagon"	F	IO-520-F (TCM)	P4014808-09	D3A34C401/90DFA-2	88.0	86.0	30		10.0		28.0			C290D4/T4 C290D2/T4	SA00393WI Air Plains	84
U206D "Skywagon"	F	IO-520-F (TCM)	P4014808-12	D3A34C401/90DFA-4	86.0	84.0	30		10.0		28.0			C290D4/T4 C290D2/T4	SA00393WI Air Plains	84
U206D "Skywagon"	L	IO-520-F (TCM)	P4014808-13	D3A34C401/90DFA-6	84.0	78.0	30		10.0		28.0			C290D4/T4 C290D2/T4	SA00393WI Air Plains	
U206D "Skywagon"		IO-520-F (TCM)	P4014808-04	D3A34C401/90DFA-10	80.0	78.0	30		10.4		28.5	D-6594	P	C290D4/T4 C290D2/T4	SA01777AT Davis Aviation	103
U206D "Skywagon"		IO-520-F (TCM)	P4014808-04	D3A34C401/90DFA-10	80.0	78.5	30		10.4		28.5			C290D4/T4 C290D2/T4	SA964NE US Prop of Connecticut	104
U206D "Skywagon"		IO-550-F (TCM)	P4014808-11	D3A34C401/90DFA-8	82.0	78.0	30		11.2		28.5	D-6594	P		SA2830SO Davis Aviation	103
U206D "Skywagon"		IO-550-F (TCM)	P4014808-05	D3A34C401/90DFA-10	80.0	78.0	30		11.2		28.5	D-6594	P		SA2830SO Davis Aviation	103
U206D "Skywagon"	L	IO-550-F (TCM)	P4014808-05	D3A34C401/90DFA-10	80.0		30		11.2		28.5				SA00332AT AERO MOD	
U206D "Skywagon"		IO-550-N (TCM)		Hartzell										C290D4/T5	SA02507AT Atlantic Aero	
U206E "Skywagon, Stationair"	L	IO-520-F (TCM)	OBSOLETE	D2A34C58/90AT-8	82.0	80.0	36		9.5		25.8			C290D4/T4 C290D2/T4		1
U206E "Skywagon, Stationair"	F	IO-520-F (TCM)	OBSOLETE	D2A34C58/90AT-4	86.0	84.0	36		8.0		25.0			C290D4/T4 C290D2/T4		1
U206E "Skywagon, Stationair"	F L	IO-520-F (TCM)	OBSOLETE	D3A32C90/82NC-2	80.0	78.0	30		11.5		28.1			C290D4/T4 C290D2/T4		1
U206E "Skywagon, Stationair"	F	IO-520-F (TCM)	P4014808-09	D3A34C401/90DFA-2	88.0	86.0	30		10.0		28.0			C290D4/T4 C290D2/T4	SA00393WI Air Plains	84
U206E "Skywagon, Stationair"	F	IO-520-F (TCM)	P4014808-12	D3A34C401/90DFA-4	86.0	84.0	30		10.0		28.0			C290D4/T4 C290D2/T4	SA00393WI Air Plains	84

Constant Speed Propeller Applications

Aircraft		Engine		Model	Diameter		Ref		Blade Angles			Spinner		Governors	STC Number STC Holder STC Kit P/N	Notes
Model	TYPE	Model (Make)	Part Number		Max	Min	Sta	Rev	Low or Flight Idle	Latch or Start Locks	High or Feather	Assembly P/N	Type			
U206E "Skywagon, Stationair"	L	IO-520-F (TCM)	P4014808-13	D3A34C401/90DFA-6	84.0	78.0	30		10.0		28.0			C290D4/T4 C290D2/T4	SA00393WI Air Plains	
U206E "Skywagon, Stationair"		IO-520-F (TCM)	P4014808-04	D3A34C401/90DFA-10	80.0	78.0	30		10.4		28.5	D-6594	P	C290D4/T4 C290D2/T4	SA01777AT Davis Aviation	103
U206E "Skywagon, Stationair"		IO-520-F (TCM)	P4014808-04	D3A34C401/90DFA-10	80.0	78.5	30		10.4		28.5			C290D4/T4 C290D2/T4	SA964NE US Prop of Connecticut	104
U206E "Skywagon, Stationair"		IO-550-F (TCM)	P4014808-11	D3A34C401/90DFA-8	82.0	78.0	30		11.2		28.5	D-6594	P		SA2830SO Davis Aviation	103
U206E "Skywagon, Stationair"		IO-550-F (TCM)	P4014808-05	D3A34C401/90DFA-10	80.0	78.0	30		11.2		28.5	D-6594	P		SA2830SO Davis Aviation	103
U206E "Skywagon, Stationair"	L	IO-550-F (TCM)	P4014808-05	D3A34C401/90DFA-10	80.0		30		11.2		28.5				SA00332AT AERO MOD	
U206E "Skywagon, Stationair"		IO-550-N (TCM)		Hartzell										C290D4/T5	SA02507AT Atlantic Aero	
U206F "Stationair"	L	IO-520-F (TCM)	OBSOLETE	D2A34C58/90AT-8	82.0	80.0	36		9.5		25.8			C290D4/T4 C290D2/T4		1
U206F "Stationair"	F	IO-520-F (TCM)	OBSOLETE	D2A34C58/90AT-4	86.0	84.0	36		8.0		25.0			C290D4/T4 C290D2/T4		1
U206F "Stationair"	F L	IO-520-F (TCM)	OBSOLETE	D3A32C90/82NC-2	80.0	78.0	30		11.5		28.1			C290D4/T4 C290D2/T4		1
U206F "Stationair"	F	IO-520-F (TCM)	P4014808-09	D3A34C401/90DFA-2	88.0	86.0	30		10.0		28.0			C290D4/T4 C290D2/T4	SA00393WI Air Plains	84
U206F "Stationair"	F	IO-520-F (TCM)	P4014808-12	D3A34C401/90DFA-4	86.0	84.0	30		10.0		28.0			C290D4/T4 C290D2/T4	SA00393WI Air Plains	84
U206F "Stationair"	L	IO-520-F (TCM)	P4014808-13	D3A34C401/90DFA-6	84.0	78.0	30		10.0		28.0			C290D4/T4 C290D2/T4	SA00393WI Air Plains	
U206F "Stationair"		IO-520-F (TCM)	P4014808-04	D3A34C401/90DFA-10	80.0	78.0	30		10.4		28.5	D-6594	P	C290D4/T4 C290D2/T4	SA01777AT Davis Aviation	103
U206F "Stationair"		IO-520-F (TCM)	P4014808-04	D3A34C401/90DFA-10	80.0	78.5	30		10.4		28.5			C290D4/T4 C290D2/T4	SA964NE US Prop of Connecticut	104
U206F "Stationair"		IO-550-F (TCM)	P4014808-11	D3A34C401/90DFA-8	82.0	78.0	30		11.2		28.5	D-6594	P		SA2830SO Davis Aviation	103
U206F "Stationair"		IO-550-F (TCM)	P4014808-05	D3A34C401/90DFA-10	80.0	78.0	30		11.2		28.5	D-6594	P		SA2830SO Davis Aviation	103
U206F "Stationair"	L	IO-550-F (TCM)	P4014808-05	D3A34C401/90DFA-10	80.0		30		11.2		28.5				SA00332AT AERO MOD	
U206F "Stationair"	F	IO-550-F (TCM)		D3A34C402/90DFA-10	80.0	80.0	30								SA1482GL Wipaire	
U206F "Stationair"	L	IO-550-F (TCM)		D3A34C402/90DFA-10	80.0	78.0	30								SA1482GL Wipaire	
U206F "Stationair"		IO-550-N (TCM)		Hartzell										C290D4/T5	SA02507AT Atlantic Aero	
U206G (S/N U20603522-U20604074) "Stationair"	F	IO-520-F (TCM)	OBSOLETE	D2A34C58/90AT-4	86.0	84.0	36		8.0		25.0			C290D4/T4 C290D2/T4		1
U206G (S/N U20603522-U20604074) "Stationair"	F L	IO-520-F (TCM)	OBSOLETE	D3A32C90/82NC-2	80.0	78.0	30		11.5		28.1			C290D4/T4 C290D2/T4		1

Constant Speed Propeller Applications

Aircraft		Engine		Part Number	Model	Diameter		Ref		Blade Angles			Spinner		Governors	STC Number STC Holder STC Kit P/N	Notes
Model	T Y P E	Model (Make)				Max	Min	Sta	Rev	Low or Flight Idle	Latch or Start Locks	High or Feather	Assembly P/N	T y p e			
U206G (S/N U20603522-U20604074) "Stationair"	F	IO-520-F (TCM)		P4014808-09	D3A34C401/90DFA-2	88.0	86.0	30		10.0		28.0			C290D4/T4 C290D2/T4	SA00393WI Air Plains	84
U206G (S/N U20603522-U20604074) "Stationair"	F	IO-520-F (TCM)		P4014808-12	D3A34C401/90DFA-4	86.0	84.0	30		10.0		28.0			C290D4/T4 C290D2/T4	SA00393WI Air Plains	84
U206G (S/N U20603522-U20604074) "Stationair"	L	IO-520-F (TCM)		P4014808-13	D3A34C401/90DFA-6	84.0	78.0	30		10.0		28.0			C290D4/T4 C290D2/T4	SA00393WI Air Plains	
U206G (S/N U20603522-U20604074) "Stationair"		IO-520-F (TCM)		P4014808-04	D3A34C401/90DFA-10	80.0	78.0	30		10.4		28.5	D-6594	P	C290D4/T4 C290D2/T4	SA01777AT Davis Aviation	103
U206G (S/N U20603522-U20604074) "Stationair"		IO-520-F (TCM)		P4014808-04	D3A34C401/90DFA-10	80.0	78.5	30		10.4		28.5			C290D4/T4 C290D2/T4	SA964NE US Prop of Connecticut	104
U206G (S/N U20603522-U20604074) "Stationair"		IO-550-F (TCM)		P4014808-11	D3A34C401/90DFA-8	82.0	78.0	30		11.2		28.5	D-6594	P		SA2830SO Davis Aviation	103
U206G (S/N U20603522-U20604074) "Stationair"		IO-550-F (TCM)		P4014808-05	D3A34C401/90DFA-10	80.0	78.0	30		11.2		28.5	D-6594	P		SA2830SO Davis Aviation	103
U206G (S/N U2062200-U2064074) "Stationair"	L	IO-550-F (TCM)		P4014808-05	D3A34C401/90DFA-10	80.0		30		11.2		28.5			C290D4/T4 C290D2/T4	SA00332AT AERO MOD	
U206G (S/N U20602589, and U20604075 and up) "Stationair"	L F	IO-520-F (TCM)			D3A34C402/90DFA-10	80.0	78.5	30		10.4		28.0			C290D4/T4	SA00428WI P. Ponk	91
U206G (S/N U20602589, and U20604075 and up) "Stationair"	L F	IO-520-F (TCM)		P4024809-05	D3A34C402/90DFA-8	82.0	78.5	30		10.4		28.0			C290D4/T4	SA00428WI P. Ponk	91
U206G (S/N U20602589, and U20604075 and up) "Stationair"	F L	IO-520-F (TCM)		P4044809-11	D3A34C404/80VA-0	80.0	78.5	30		11.0		27.0			C290D4/T4		
U206G (S/N U20602589, and U20604075 and up) "Stationair"		IO-520-F (TCM)		P4024809-04	D3A34C402/90DFA-10	80.0	78.0	30		10.4		28.5			C290D4/T4	SA01777AT Davis Aviation	103
U206G (S/N U20602589, and U20604075 and up) "Stationair"		IO-550-F (TCM)		P4024809-09	D3A34C402/90DFA-8	82.0	78.0	30		11.2		28.5				SA2830SO Davis Aviation	103
U206G (S/N U20602589, and U20604075 and up) "Stationair"		IO-550-F (TCM)		P4024809-03	D3A34C402/90DFA-10	80.0	78.0	30		11.2		28.5				SA2830SO Davis Aviation	103
U206G (S/N U20602589, and U20604075 and up) "Stationair"	F	IO-550-F (TCM)			D3A34C402/90DFA-2	88.0	86.5	30		8.8		28.0				SA00428WI P. Ponk	84

Constant Speed Propeller Applications

Aircraft		Engine		Model	Diameter		Ref		Blade Angles			Spinner		Governors	STC Number STC Holder STC Kit P/N	Notes
Model	TYPE	Model (Make)	Part Number		Max	Min	Sta	Rev	Low or Flight Idle	Latch or Start Locks	High or Feather	Assembly P/N	Type			
U206G (S/N U20602589, and U20604075 and up) "Stationair"	F	IO-550-F (TCM)		D3A34C402/90DFA-4	86.0	84.5	30		8.8		28.0			SA00428WI P. Ponk	84	
U206G (S/N U20602589, and U20604075 and up) "Stationair"	LF	IO-550-F (TCM)		D3A34C402/90DFA-6	84.0	82.5	30		10.0		28.0			SA00428WI P. Ponk		
U206G (S/N U20602589, and U20604075 and up) "Stationair"	F	IO-550-F (TCM)	P4024809-05	D3A34C402/90DFA-8	82.0	80.5	30		10.4		28.0			SA00428WI P. Ponk		
U206G (S/N U20602589, and U20604075 and up) "Stationair"	F	IO-550-F (TCM)		D3A34C402/90DFA-10	80.0	78.5	30		10.4		28.0			SA00428WI P. Ponk		
U206G "Stationair"	F	IO-550-F (TCM)		D3A34C402/90DFA-10	80.0	80.0	30							SA1482GL Wipaire		
U206G "Stationair"	L	IO-550-F (TCM)		D3A34C402/90DFA-10	80.0	78.0	30							SA1482GL Wipaire		
U206G "Stationair"		IO-550-N (TCM)		Hartzell									C290D4/T5	SA02507AT Atlantic Aero		
TU206A "Turbo Super Skywagon"	L	TSIO-520-C (TCM)	OBSOLETE	D2A34C78/90AT-8	82.0	80.0	36		11.8		32.0		C290D4/T2 C290D2/T2		1	
TU206A "Turbo Super Skywagon"	L	TSIO-520-C (TCM)	OBSOLETE	D3A32C79/82NK-2	80.0	78.0	30		13.2		32.5		C290D4/T2 C290D2/T2		1	
TU206A "Turbo Super Skywagon"	FL	TSIO-520-C (TCM)	OBSOLETE	D3A32C90/82NC-2	80.0	78.0	30		14.0		33.0		C290D4/T2 C290D2/T2		1	
TU206A "Turbo Super Skywagon"	F	TSIO-520-C (TCM)	OBSOLETE	D2A34C58/90AT-2	88.0	86.0	36		9.0		25.8		C290D4/T2 C290D2/T2		1	
TU206A "Turbo Super Skywagon"	F	TSIO-520-C (TCM)	P4014808-09	D3A34C401/90DFA-2	88.0	86.0	30		10.0		28.0		C290D4/T2 C290D2/T2	SA00393WI Air Plains	85	
TU206A "Turbo Super Skywagon"	F	TSIO-520-C (TCM)	P4014808-12	D3A34C401/90DFA-4	86.0	84.0	30		10.0		28.0		C290D4/T2 C290D2/T2	SA00393WI Air Plains	85	
TU206A "Turbo Super Skywagon"	L	TSIO-520-C (TCM)	P4014808-13	D3A34C401/90DFA-6	84.0	78.0	30		10.0		28.0		C290D4/T2 C290D2/T2	SA00393WI Air Plains	86	
TU206A "Turbo Super Skywagon"		TSIO-520-C (TCM)	P4014808-04	D3A34C401/90DFA-10	80.0	78.5	30		10.4		28.5		C290D4/T2 C290D2/T2	SA964NE US Prop of Connecticut	104	
TU206A "Turbo Super Skywagon"		IO-550-F (TCM)	P4014808-05	D3A34C401/90DFA-10	80.0	78.0	30		11.2		28.5			SA01300AT Davis Aviation	103	
TU206B "Turbo Super Skywagon"	L	TSIO-520-C (TCM)	OBSOLETE	D2A34C78/90AT-8	82.0	80.0	36		11.8		32.0		C290D4/T2 C290D2/T2		1	
TU206B "Turbo Super Skywagon"	L	TSIO-520-C (TCM)	OBSOLETE	D3A32C79/82NK-2	80.0	78.0	30		13.2		32.5		C290D4/T2 C290D2/T2		1	
TU206B "Turbo Super Skywagon"	FL	TSIO-520-C (TCM)	OBSOLETE	D3A32C90/82NC-2	80.0	78.0	30		14.0		33.0		C290D4/T2 C290D2/T2		1	
TU206B "Turbo Super Skywagon"	F	TSIO-520-C (TCM)	OBSOLETE	D2A34C58/90AT-2	88.0	86.0	36		9.0		25.8		C290D4/T2 C290D2/T2		1	
TU206B "Turbo Super Skywagon"	F	TSIO-520-C (TCM)	P4014808-09	D3A34C401/90DFA-2	88.0	86.0	30		10.0		28.0		C290D4/T2 C290D2/T2	SA00393WI Air Plains	85	

Constant Speed Propeller Applications

Aircraft		Engine			Diameter		Ref	Blade Angles				Spinner		Governors	STC Number STC Holder STC Kit P/N	Notes
Model	T Y P E	Model (Make)	Part Number	Model	Max	Min	Sta	Rev	Low or Flight Idle	Latch or Start Locks	High or Feather	Assembly P/N	T y p e			
TU206B "Turbo Super Skywagon"	F	TSIO-520-C (TCM)	P4014808-12	D3A34C401/90DFA-4	86.0	84.0	30		10.0		28.0			C290D4/T2 C290D2/T2	SA00393WI Air Plains	85
TU206B "Turbo Super Skywagon"	L	TSIO-520-C (TCM)	P4014808-13	D3A34C401/90DFA-6	84.0	78.0	30		10.0		28.0			C290D4/T2 C290D2/T2	SA00393WI Air Plains	86
TU206B "Turbo Super Skywagon"		TSIO-520-C (TCM)	P4014808-04	D3A34C401/90DFA-10	80.0	78.5	30		10.4		28.5			C290D4/T2 C290D2/T2	SA964NE US Prop of Connecticut	104
TU206B "Turbo Super Skywagon"		IO-550-F (TCM)	P4014808-05	D3A34C401/90DFA-10	80.0	78.0	30		11.2		28.5				SA01300AT Davis Aviation	103
TU206C "Turbo Super Skywagon"	L	TSIO-520-C (TCM)	OBSOLETE	D2A34C78/90AT-8	82.0	80.0	36		11.8		32.0			C290D4/T2 C290D2/T2		1
TU206C "Turbo Super Skywagon"	L	TSIO-520-C (TCM)	OBSOLETE	D3A32C79/82NK-2	80.0	78.0	30		13.2		32.5			C290D4/T2 C290D2/T2		1
TU206C "Turbo Super Skywagon"	F L	TSIO-520-C (TCM)	OBSOLETE	D3A32C90/82NC-2	80.0	78.0	30		14.0		33.0			C290D4/T2 C290D2/T2		1
TU206C "Turbo Super Skywagon"	F	TSIO-520-C (TCM)	OBSOLETE	D2A34C58/90AT-2	88.0	86.0	36		8.0		25.8			C290D4/T2 C290D2/T2		1
TU206C "Turbo Super Skywagon"	F	TSIO-520-C (TCM)	P4014808-09	D3A34C401/90DFA-2	88.0	86.0	30		10.0		28.0			C290D4/T2 C290D2/T2	SA00393WI Air Plains	85
TU206C "Turbo Super Skywagon"	F	TSIO-520-C (TCM)	P4014808-12	D3A34C401/90DFA-4	86.0	84.0	30		10.0		28.0			C290D4/T2 C290D2/T2	SA00393WI Air Plains	85
TU206C "Turbo Super Skywagon"	L	TSIO-520-C (TCM)	P4014808-13	D3A34C401/90DFA-6	84.0	78.0	30		10.0		28.0			C290D4/T2 C290D2/T2	SA00393WI Air Plains	86
TU206C "Turbo Super Skywagon"		TSIO-520-C (TCM)	P4014808-04	D3A34C401/90DFA-10	80.0	78.5	30		10.4		28.5			C290D4/T2 C290D2/T2	SA964NE US Prop of Connecticut	104
TU206C "Turbo Super Skywagon"		IO-550-F (TCM)	P4014808-05	D3A34C401/90DFA-10	80.0	78.0	30		11.2		28.5				SA01300AT Davis Aviation	103
TU206D "Turbo Skywagon"	L	TSIO-520-C (TCM)	OBSOLETE	D2A34C78/90AT-8	82.0	80.0	36		11.8		32.0			C290D4/T2 C290D2/T2		1
TU206D "Turbo Skywagon"	L	TSIO-520-C (TCM)	OBSOLETE	D3A32C79/82NK-2	80.0	78.0	30		13.2		32.5			C290D4/T2 C290D2/T2		1
TU206D "Turbo Skywagon"	F L	TSIO-520-C (TCM)	OBSOLETE	D3A32C90/82NC-2	80.0	78.0	30		14.0		33.0			C290D4/T2 C290D2/T2		1
TU206D "Turbo Skywagon"	F	TSIO-520-C (TCM)	OBSOLETE	D2A34C58/90AT-2	88.0	86.0	36		8.0		25.8			C290D4/T2 C290D2/T2		1
TU206D "Turbo Skywagon"	F	TSIO-520-C (TCM)	P4014808-09	D3A34C401/90DFA-2	88.0	86.0	30		10.0		28.0			C290D4/T2 C290D2/T2	SA00393WI Air Plains	85
TU206D "Turbo Skywagon"	F	TSIO-520-C (TCM)	P4014808-12	D3A34C401/90DFA-4	86.0	84.0	30		10.0		28.0			C290D4/T2 C290D2/T2	SA00393WI Air Plains	85
TU206D "Turbo Skywagon"	L	TSIO-520-C (TCM)	P4014808-13	D3A34C401/90DFA-6	84.0	78.0	30		10.0		28.0			C290D4/T2 C290D2/T2	SA00393WI Air Plains	86
TU206D "Turbo Skywagon"		TSIO-520-C (TCM)	P4014808-04	D3A34C401/90DFA-10	80.0	78.5	30		10.4		28.5			C290D4/T2 C290D2/T2	SA964NE US Prop of Connecticut	104
TU206D "Turbo Skywagon"		IO-550-F (TCM)	P4014808-05	D3A34C401/90DFA-10	80.0	78.0	30		11.2		28.5				SA01300AT Davis Aviation	103
TU206E "Turbo Skywagon"	L	TSIO-520-C (TCM)	OBSOLETE	D2A34C78/90AT-8	82.0	80.0	36		11.8		32.0			C290D4/T2 C290D2/T2		1
TU206E "Turbo Skywagon"	L	TSIO-520-C (TCM)	OBSOLETE	D3A32C79/82NK-2	80.0	78.0	30		13.2		32.5			C290D4/T2 C290D2/T2		1

Constant Speed Propeller Applications

Aircraft		Engine			Diameter		Ref		Blade Angles			Spinner		Governors	STC Number STC Holder STC Kit P/N	Notes
Model	T Y P E	Model (Make)	Part Number	Model	Max	Min	Sta	Rev	Low or Flight Idle	Latch or Start Locks	High or Feather	Assembly P/N	T y p e			
TU206E "Turbo Skywagon"	F L	TSIO-520-C (TCM)	OBSOLETE	D3A32C90/82NC-2	80.0	78.0	30		14.0		33.0			C290D4/T2 C290D2/T2		1
TU206E "Turbo Skywagon"	F	TSIO-520-C (TCM)	OBSOLETE	D2A34C58/90AT-2	88.0	86.0	36		8.0		25.8			C290D4/T2 C290D2/T2		1
TU206E "Turbo Skywagon"	F	TSIO-520-C (TCM)	P4014808-09	D3A34C401/90DFA-2	88.0	86.0	30		10.0		28.0			C290D4/T2 C290D2/T2	SA00393WI Air Plains	85
TU206E "Turbo Skywagon"	F	TSIO-520-C (TCM)	P4014808-12	D3A34C401/90DFA-4	86.0	84.0	30		10.0		28.0			C290D4/T2 C290D2/T2	SA00393WI Air Plains	85
TU206E "Turbo Skywagon"	L	TSIO-520-C (TCM)	P4014808-13	D3A34C401/90DFA-6	84.0	78.0	30		10.0		28.0			C290D4/T2 C290D2/T2	SA00393WI Air Plains	86
TU206E "Turbo Skywagon"		TSIO-520-C (TCM)	P4014808-04	D3A34C401/90DFA-10	80.0	78.5	30		10.4		28.5			C290D4/T2 C290D2/T2	SA964NE US Prop of Connecticut	104
TU206E "Turbo Skywagon"		IO-550-F (TCM)	P4014808-05	D3A34C401/90DFA-10	80.0	78.0	30		11.2		28.5				SA01300AT Davis Aviation	103
TU206F (S/N U20601701-U20602199) "Turbo Stationair"	L	TSIO-520-C (TCM)	OBSOLETE	D2A34C78/90AT-8	82.0	80.0	36		11.8		32.0			C290D4/T2 C290D2/T2		1
TU206F (S/N U20601701-U20602199) "Turbo Stationair"	L	TSIO-520-C (TCM)	OBSOLETE	D3A32C79/82NK-2	80.0	78.0	30		13.2		32.5			C290D4/T2 C290D2/T2		1
TU206F (S/N U20601701-U20602199) "Turbo Stationair"	F L	TSIO-520-C (TCM)	OBSOLETE	D3A32C90/82NC-2	80.0	78.0	30		14.0		33.0			C290D4/T2 C290D2/T2		1
TU206F (S/N U20601701-U20602199) "Turbo Stationair"	F	TSIO-520-C (TCM)	OBSOLETE	D2A34C58/90AT-2	88.0	86.0	36		8.0		25.8			C290D4/T2 C290D2/T2		1
TU206F (S/N U20601701-U20602199) "Turbo Stationair"	F	TSIO-520-C (TCM)	P4014808-09	D3A34C401/90DFA-2	88.0	86.0	30		10.0		28.0			C290D4/T2 C290D2/T2	SA00393WI Air Plains	85
TU206F (S/N U20601701-U20602199) "Turbo Stationair"	F	TSIO-520-C (TCM)	P4014808-12	D3A34C401/90DFA-4	86.0	84.0	30		10.0		28.0			C290D4/T2 C290D2/T2	SA00393WI Air Plains	85
TU206F (S/N U20601701-U20602199) "Turbo Stationair"	L	TSIO-520-C (TCM)	P4014808-13	D3A34C401/90DFA-6	84.0	78.0	30		10.0		28.0			C290D4/T2 C290D2/T2	SA00393WI Air Plains	86
TU206F (S/N U20601701-U20602199) "Turbo Stationair"		TSIO-520-C (TCM)	P4014808-04	D3A34C401/90DFA-10	80.0	78.5	30		10.4		28.5			C290D4/T2 C290D2/T2	SA964NE US Prop of Connecticut	104
TU206F (S/N U20601701-U20602199) "Turbo Stationair"		IO-550-F (TCM)	P4014808-05	D3A34C401/90DFA-10	80.0	78.0	30		11.2		28.5				SA01300AT Davis Aviation	103
TU206F (S/N U20602200 AND UP) "Turbo Stationair"		TSIO-520-C (TCM)	OBSOLETE	E2A34C70/90AT-8	82.0	80.0	36		11.8		32.0			C290D4/T2 C290D2/T2		1
TU206F (S/N U20602200 AND UP) "Turbo Stationair"		TSIO-520-C (TCM)	OBSOLETE	D3A32C88/82NC-2	80.0	78.0	30		14.0		33.0			C290D4/T2 C290D2/T2		1
TU206F (S/N U20602200 AND UP) "Turbo Stationair"	L F	TSIO-520-C (TCM)	P4024809-05	D3A34C402/90DFA-8	82.0	80.5	30		10.4		28.0			C290D4/T2 C290D2/T2	SA00428WI P. Ponk	91 86

Constant Speed Propeller Applications

Aircraft		Engine		Part Number	Model	Diameter		Ref		Blade Angles			Spinner		Governors	STC Number STC Holder STC Kit P/N	Notes
Model	T Y P E	Model (Make)				Max	Min	Sta	Rev	Low or Flight Idle	Latch or Start Locks	High or Feather	Assembly P/N	T y p e			
TU206F (S/N U20602200 AND UP) "Turbo Stationair"	L F	TSIO-520-C (TCM)		D3A34C402/90DFA-10	80.0	78.5	30		10.4		28.0			C290D4/T2 C290D2/T2	SA00428WI P. Ponk	86 91	
TU206F (S/N U20602200 AND UP) "Turbo Stationair"		TSIO-520-C (TCM)	P4024809-04	D3A34C402/90DFA-10	80.0	78.5	30		10.4		28.5			C290D4/T2 C290D2/T2	SA942NE US Prop of Connecticut	12	
TU206F (S/N U20602200 AND UP) "Turbo Stationair"		TSIO-520-M (TCM)		D3A34C402/90DFA-10	80.0		30								SA1588GL Wipaire		
TU206F (S/N U20602200 AND UP) "Turbo Stationair"	F	IO-550-F (TCM)		D3A34C402/90DFA-2	88.0	86.5	30		8.8		28.0				SA00428WI P. Ponk	84	
TU206F (S/N U20602200 AND UP) "Turbo Stationair"	F	IO-550-F (TCM)		D3A34C402/90DFA-4	86.0	84.5	30		8.8		28.0				SA00428WI P. Ponk	84	
TU206F (S/N U20602200 AND UP) "Turbo Stationair"	F	IO-550-F (TCM)		D3A34C402/90DFA-6	84.0	82.5	30		10.0		28.0				SA00428WI P. Ponk		
TU206F (S/N U20602200 AND UP) "Turbo Stationair"	F	IO-550-F (TCM)	P4024809-05	D3A34C402/90DFA-8	82.0	80.5	30		10.4		28.0				SA00428WI P. Ponk		
TU206F (S/N U20602200 AND UP) "Turbo Stationair"	F	IO-550-F (TCM)		D3A34C402/90DFA-10	80.0	78.5	30		10.4		28.0				SA00428WI P. Ponk		
TU206F (S/N U20602200 AND UP) "Turbo Stationair"		IO-550-F (TCM)	P4024809-03	D3A34C402/90DFA-10	80.0	78.0	30		11.2		28.5				SA01300AT Davis Aviation	103	
TU206G "Turbo Stationair"		TSIO-520-M (TCM)	P4024809-01	D3A34C402/90DFA-10	80.0	78.5	30		12.4		28.5			C290D4/T2		11	
TU206G "Turbo Stationair"	L F	TSIO-520-M (TCM)	P4024809-05	D3A34C402/90DFA-8	82.0	80.5	30		10.4		28.0			C290D4/T2	SA00428WI P. Ponk	86 91	
TU206G "Turbo Stationair"	L F	TSIO-520-M (TCM)		D3A34C402/90DFA-10	80.0	78.5	30		10.4		28.0			C290D4/T2	SA00428WI P. Ponk	86 91	
TU206G "Turbo Stationair"	F	IO-550-F (TCM)		D3A34C402/90DFA-2	88.0	86.5	30		8.8		28.0				SA00428WI P. Ponk	84	
TU206G "Turbo Stationair"	F	IO-550-F (TCM)		D3A34C402/90DFA-4	86.0	84.5	30		8.8		28.0				SA00428WI P. Ponk	84	
TU206G "Turbo Stationair"	L F	IO-550-F (TCM)		D3A34C402/90DFA-6	84.0	82.5	30		10.0		28.0				SA00428WI P. Ponk		
TU206G "Turbo Stationair"	L F	IO-550-F (TCM)	P4024809-05	D3A34C402/90DFA-8	82.0	80.5	30		10.4		28.0				SA00428WI P. Ponk		
TU206G "Turbo Stationair"	L F	IO-550-F (TCM)		D3A34C402/90DFA-10	80.0	78.5	30		10.4		28.0				SA00428WI P. Ponk		
TU206G "Turbo Stationair"		IO-550-F (TCM)	P4024809-03	D3A34C402/90DFA-10	80.0	78.0	30		11.2		28.5				SA01300AT Davis Aviation	103	
207 "Skywagon"	L	IO-520-F (TCM)	OBSOLETE	D2A34C58/90AT-8	82.0	80.0	36		9.5		25.8			C290D4/T4 C290D2/T4		1	
207 "Skywagon"	L	IO-520-F (TCM)	OBSOLETE	D3A32C90/82NC-2	80.0	78.0	30		11.5		28.1			C290D4/T4 C290D2/T4		1	
207 "Skywagon"	L	IO-520-F (TCM)		D3A34C401/90DFA-6	84.0	78.5	30							C290D4/T4 C290D2/T4	SA01283WI P. Ponk		

Constant Speed Propeller Applications

Aircraft		Engine		Model	Diameter		Ref		Blade Angles			Spinner		Governors	STC Number STC Holder STC Kit P/N	Notes
Model	TYPE	Model (Make)	Part Number		Max	Min	Sta	Rev	Low or Flight Idle	Latch or Start Locks	High or Feather	Assembly P/N	Type			
207 "Skywagon"	L	IO-550-F (TCM)		D3A34C401/90DFA-6	84.0	78.5	30								SA01283WI P. Ponk	
207 "Skywagon"		IO-550-F (TCM)	P4014808-05	D3A34C401/90DFA-10	80.0	78.0	30		11.2		28.5				SA00173AT Davis Aviation	103
207A (S/N 20700363 - 20700482) "Skywagon, Stationair 7"		IO-520-F (TCM)	OBSOLETE	D3A32C90/82NC-2	80.0	78.0	30		11.5		28.1			C290D4/T4		1
207A (S/N 20700001 - 20700482) "Skywagon, Stationair 7.8"	L	IO-520-F (TCM)		D3A34C401/90DFA-6	84.0	78.5	30							C290D4/T4	SA01283WI P. Ponk	
207A (S/N 20700001 - 20700482) "Skywagon, Stationair 7.8"	L	IO-550-F (TCM)		D3A34C401/90DFA-6	84.0	78.5	30								SA01283WI P. Ponk	
207A (S/N 20700001 - 20700482) "Skywagon, Stationair 7.8"		IO-550-F (TCM)	P4014808-05	D3A34C401/90DFA-10	80.0	78.0	30		11.2		28.5				SA00173AT Davis Aviation	103
207A (S/N 20700483 and up) "Skywagon, Stationair 7.8"		IO-520-F (TCM)	P4044809-11	D3A34C404/80VA-0	80.0	78.5	30		11.0		27.0			C290D4/T4		
207A (S/N 20700483 and up) "Skywagon, Stationair 7.8"		IO-550-F (TCM)	P4024809-03	D3A34C402/90DFA-10	80.0	78.0	30		11.2		28.5				SA00173AT Davis Aviation	103
T207 "Turbo Skywagon"	L	TSIO-520-G (TCM)	OBSOLETE	D2A34C78/90AT-8.5	81.5	80.5	36		11.8		32.0			C290D4/T2 C290D2/T2		1
T207 "Turbo Skywagon"	L	TSIO-520-G (TCM)	OBSOLETE	D3A32C90/82NC-2	80.0	79.0	30		14.0		33.0			C290D4/T2 C290D2/T2		1
T207 "Turbo Skywagon"	L	TSIO-520-G (TCM)		D3A34C401/90DFA-6	84.0	78.5	30							C290D4/T2 C290D2/T2	SA01283WI P. Ponk	94
T207 "Turbo Skywagon"		IO-550-F (TCM)	P4014808-05	D3A34C401/90DFA-10	80.0	78.0	30		11.2		28.5				SA00173AT Davis Aviation	103
T207A "Turbo Skywagon" "Turbo Stationair 7.8"		TSIO-520-M (TCM)	P4014808-01	D3A34C401/90DFA-10	80.0	78.5	30		12.4		28.5			C290D4/T2		11
T207A (S/N 20700001 - 20700482) "Turbo Skywagon" "Turbo Stationair 7.8"	L	TSIO-520-M (TCM)		D3A34C401/90DFA-6	84.0	78.5	30							C290D4/T2 C290D2/T2	SA01283WI P. Ponk	94
T207A "Turbo Skywagon" "Turbo Stationair 7.8"		IO-550-F (TCM)	P4014808-05	D3A34C401/90DFA-10	80.0	78.0	30		11.2		28.5				SA00173AT Davis Aviation	103
208 "Caravan I"		PT6A-114 (PW)	P7036368-01 P7036368-0154 P7036368-0254	3GFR34C703/106GA-0	106.0	104.0	30	-14.0	15.6		88.0	E-6383	E,P			54
208 "Caravan I"	L	PT6A-114 (PW)	P7756790-01 P7756790-0154	4HFR34C775/96MGA-0	96.0	95.0	30	-10.0	17.2		87.0	E-7559-1	E,P		SA02168CH McCauley PL60274 PL60285 PL60286	61
208 "Caravan I"		PT6A-114A (PW)	P7036368-01 P7036368-0154 P7036368-0254	3GFR34C703/106GA-0	106.0	104.0	30	-14.0	15.6		88.0	E-6383	E,P			54

Constant Speed Propeller Applications

Aircraft		Engine		Model	Diameter		Ref		Blade Angles			Spinner		Governors	STC Number STC Holder STC Kit P/N	Notes
Model	TYPE	Model (Make)	Part Number		Max	Min	Sta	Rev	Low or Flight Idle	Latch or Start Locks	High or Feather	Assembly P/N	Type			
208 "Caravan I"	L	PT6A-114A (PW)	P7756790-01 P7756790-0154	4HFR34C775/96MGA-0	96.0	95.0	30	-10.0	17.2		87.0	E-7559-1	E,P		SA02168CH McCauley PL60274 PL60285 PL60286	61
208A "Caravan I"		PT6A-114 (PW)	P7036368-01 P7036368-0154 P7036368-0254	3GFR34C703/106GA-0	106.0	104.0	30	-14.0	15.6		88.0	E-6383	E,P			54
208A "Caravan I"	L	PT6A-114 (PW)	P7756790-01 P7756790-0154	4HFR34C775/96MGA-0	96.0	95.0	30	-10.0	17.2		87.0	E-7559-1	E,P		SA02168CH McCauley PL60274 PL60285 PL60286	61
208A "Caravan I"		PT6A-114A (PW)	P7036368-01 P7036368-0154 P7036368-0254	3GFR34C703/106GA-0	106.0	104.0	30	-14.0	15.6		88.0	E-6383	E,P			54
208A "Caravan I"	L	PT6A-114A (PW)	P7756790-01 P7756790-0154	4HFR34C775/96MGA-0	96.0	95.0	30	-10.0	17.2		87.0	E-7559-1	E,P		SA02168CH McCauley PL60274 PL60285 PL60286	61
208B "Caravan I"		PT6A-114 (PW)	P7036368-01 P7036368-0154 P7036368-0254	3GFR34C703/106GA-0	106.0	104.0	30	-14.0	15.6		88.0	E-6383	E,P			54
208B "Caravan I"	L	PT6A-114 (PW)	P7756790-01 P7756790-0154	4HFR34C775/96MGA-0	96.0	95.0	30	-10.0	17.2		87.0	E-7559-1	E,P		SA02168CH McCauley PL60274 PL60285 PL60286	61
208B "Caravan I"		PT6A-114A (PW)	P7036368-01 P7036368-0154 P7036368-0254	3GFR34C703/106GA-0	106.0	104.0	30	-14.0	15.6		88.0	E-6383	E,P			54
208B "Caravan I"	L	PT6A-114A (PW)	P7756790-01 P7756790-0154	4HFR34C775/96MGA-0	96.0	95.0	30	-10.0	17.2		87.0	E-7559-1	E,P		SA02168CH McCauley PL60274 PL60285 PL60286	61
210-5 "205"	L	IO-470-S (TCM)	OBSOLETE	D2A36C33/90M-8	82.0	80.0	36		10.8		25.8					1
210-5 "205"	L	IO-470-S (TCM)	OBSOLETE	D2A34C49/90A-8	82.0	80.0	36		10.8		25.8					1
210-5 "205"	L	IO-470-S (TCM)	OBSOLETE	D2A34C58/90AT-8	82.0	80.0	36		10.8		25.8					1
210-5 "205"	L	IO-470-S (TCM)	P4357483-01	D3A36C435/80VEA-0	80.0	78.0	30		10.8		33.9	D-7510-1 D-7510-2	P S	C290D3/T35	SA00920CH McCauley PL60259 PL60261	
210-5A "205A"	L	IO-470-S (TCM)	OBSOLETE	D2A36C33/90M-8	82.0	80.0	36		10.8		25.8					1
210-5A "205A"	L	IO-470-S (TCM)	OBSOLETE	D2A34C49/90A-8	82.0	80.0	36		10.8		25.8					1

Constant Speed Propeller Applications

Aircraft		Engine			Diameter		Ref		Blade Angles			Spinner		Governors	STC Number STC Holder STC Kit P/N	Notes
Model	T Y P E	Model (Make)	Part Number	Model	Max	Min	Sta	Rev	Low or Flight Idle	Latch or Start Locks	High or Feather	Assembly P/N	T y p e			
210-5A "205A"	L	IO-470-S (TCM)	OBSOLETE	D2A34C58/90AT-8	82.0	80.0	36		10.8		25.8					1
210-5A "205A"	L	IO-470-S (TCM)	P4357483-01	D3A36C435/80VEA-0	80.0	78.0	30		10.8		33.9	D-7510-1 D-7510-2	P S	C290D3/T35	SA00920CH McCauley PL60259 PL60261	
210	L	IO-470-E (TCM)	OBSOLETE	D2A36C33/90M-8	82.0	80.0	36		10.8		25.8					1
210	L	IO-470-E (TCM)	OBSOLETE	D2A34C49/90A-8	82.0	80.0	36		10.8		25.8					1
210	L	IO-470-E (TCM)	OBSOLETE	D2A34C58/90AT-8	82.0	80.0	36		10.8		25.8					1
210	L	IO-470-E (TCM)	P4357483-01	D3A36C435/80VEA-0	80.0	78.0	30		10.8		33.9	D-7510-1 D-7510-2	P S	C290D3/T35	SA00920CH McCauley PL60259 PL60261	
210A	L	IO-470-E (TCM)	OBSOLETE	D2A36C33/90M-8	82.0	80.0	36		10.8		25.8					1
210A	L	IO-470-E (TCM)	OBSOLETE	D2A34C49/90A-8	82.0	80.0	36		10.8		25.8					1
210A	L	IO-470-E (TCM)	OBSOLETE	D2A34C58/90AT-8	82.0	80.0	36		10.8		25.8					1
210A	L	IO-470-E (TCM)	P4357483-01	D3A36C435/80VEA-0	80.0	78.0	30		10.8		33.9	D-7510-1 D-7510-2	P S	C290D3/T35	SA00920CH McCauley PL60259 PL60261	
210B	L	IO-470-S (TCM)	OBSOLETE	D2A36C33/90M-8	82.0	80.0	36		10.8		25.8					1
210B	L	IO-470-S (TCM)	OBSOLETE	D2A34C49/90A-8	82.0	80.0	36		10.8		25.8					1
210B	L	IO-470-S (TCM)	OBSOLETE	D2A34C58/90AT-8	82.0	80.0	36		10.8		25.8					1
210B	L	IO-470-S (TCM)	P4357483-01	D3A36C435/80VEA-0	80.0	78.0	30		10.8		33.9	D-7510-1 D-7510-2	P S	C290D3/T35	SA00920CH McCauley PL60259 PL60261	
210C	L	IO-470-S (TCM)	OBSOLETE	D2A36C33/90M-8	82.0	80.0	36		10.8		25.8					1
210C	L	IO-470-S (TCM)	OBSOLETE	D2A34C49/90A-8	82.0	80.0	36		10.8		25.8					1
210C	L	IO-470-S (TCM)	OBSOLETE	D2A34C58/90AT-8	82.0	80.0	36		10.8		25.8					1
210C	L	IO-470-S (TCM)	P4357483-01	D3A36C435/80VEA-0	80.0	78.0	30		10.8		33.9	D-7510-1 D-7510-2	P S	C290D3/T35	SA00920CH McCauley PL60259 PL60261	
210D "Centurian"	L	IO-520-A (TCM)	OBSOLETE	D2A34C58/90AT-8	82.0	80.0	36		10.3		25.8					1
210E "Centurian"	L	IO-520-A (TCM)	OBSOLETE	E2A34C64/90AT-8	82.0	80.0	36		10.3		25.8					1
210E "Centurian"	L	IO-520-A (TCM)	OBSOLETE	E2A34C73/90AT-8	82.0	80.0	36		10.3		25.8					1
210E "Centurian"	L	IO-520-A (TCM)	P4024809-05	D3A34C402/90DFA-8	82.0	78.0	30		10.4		28.5				SA00422WI Air Plains	
210F "Centurian"	L	IO-520-A (TCM)	OBSOLETE	E2A34C73/90AT-8	82.0	80.0	36		10.3		25.8					1
210F "Centurian"	L	IO-520-A (TCM)	OBSOLETE	D3A32C77/82NK-2	80.0	78.0	30		11.3		27.6					1
210F "Centurian"	L	IO-520-A (TCM)	OBSOLETE	D3A32C88/82NC-2	80.0	78.0	30		13.8		28.1					1
210F "Centurian"	L	IO-520-A (TCM)	P4024809-05	D3A34C402/90DFA-8	82.0	78.0	30		10.4		28.5				SA00422WI Air Plains	
210F "Centurian"	L	IO-520-A (TCM)	P4044809-11	D3A34C404/80VA-0	80.0	78.5	30		11.0		27.0				SA5896NM American	

Constant Speed Propeller Applications

Aircraft		Engine			Diameter		Ref		Blade Angles				Spinner		Governors	STC Number STC Holder STC Kit P/N	Notes
Model	TYPE	Model (Make)	Part Number	Model	Max	Min	Sta	Rev	Low or Flight Idle	Latch or Start Locks	High or Feather	Assembly P/N	Type				
210G "Centurian"	L	IO-520-A (TCM)	OBSOLETE	E2A34C73/90AT-8	82.0	80.0	36		10.3		25.8			C290D3/T5 C290D2/T5		1	
210G "Centurian"	L	IO-520-A (TCM)	OBSOLETE	D3A32C88/82NC-2	80.0	78.0	30		13.8		28.1			C290D3/T5 C290D2/T5		1	
210G "Centurian"	L	IO-520-A (TCM)	P4024809-05	D3A34C402/90DFA-8	82.0	78.0	30		10.4		28.5			C290D3/T5 C290D2/T5	SA00422WI Air Plains		
210G "Centurian"	L	IO-520-A (TCM)	P4044809-11	D3A34C404/80VA-0	80.0	78.5	30		11.0		27.0			C290D3/T5 C290D2/T5	SA5896NM American		
210H "Centurian"	L	IO-520-A (TCM)	OBSOLETE	E2A34C73/90AT-8	82.0	80.0	36		10.3		25.8			C290D3/T5 C290D2/T5		1	
210H "Centurian"	L	IO-520-A (TCM)	OBSOLETE	D3A32C88/82NC-2	80.0	78.0	30		13.8		28.1			C290D3/T5 C290D2/T5		1	
210H "Centurian"	L	IO-520-A (TCM)	P4024809-05	D3A34C402/90DFA-8	82.0	78.0	30		10.4		28.5			C290D3/T5 C290D2/T5	SA00422WI Air Plains		
210H "Centurian"	L	IO-520-A (TCM)	P4044809-11	D3A34C404/80VA-0	80.0	78.5	30		11.0		27.0			C290D3/T5 C290D2/T5	SA5896NM American		
210J "Centurian"	L	IO-520-J (TCM)	OBSOLETE	E2A34C73/90AT-8	82.0	80.0	36		10.3		25.8			C290D3/T5 C290D2/T5		1	
210J "Centurian"	L	IO-520-J (TCM)	OBSOLETE	D3A32C88/82NC-2	80.0	78.0	30		13.8		28.1			C290D3/T5 C290D2/T5		1	
210J "Centurian"	L	IO-520-J (TCM)	P4024809-05	D3A34C402/90DFA-8	82.0	78.0	30		10.4		28.5			C290D3/T5 C290D2/T5	SA00422WI Air Plains		
210J "Centurian"	L	IO-520-J (TCM)	P4044809-11	D3A34C404/80VA-0	80.0	78.5	30		11.0		27.0			C290D3/T5 C290D2/T5	SA5896NM American		
210K "Centurian"	L	IO-520-L (TCM)	OBSOLETE	E2A34C73/90AT-8	82.0	80.0	36		10.3		25.8			C290D4/T4 C290D2/T4		1	
210K "Centurian"	L	IO-520-L (TCM)	OBSOLETE	D3A32C88/82NC-2	80.0	78.0	30		11.5		28.1			C290D4/T4 C290D2/T4		1	
210K "Centurian"	L	IO-520-L (TCM)	P4024809-05	D3A34C402/90DFA-8	82.0	78.0	30		10.4		28.5			C290D4/T4 C290D2/T4	SA00422WI Air Plains		
210K "Centurian"	L	IO-520-L (TCM)	P4044809-11	D3A34C404/80VA-0	80.0	78.5	30		11.0		27.0			C290D4/T4 C290D2/T4	SA5896NM American		
210K "Centurian"	L	IO-550-L (TCM)	P4024809-05	D3A34C402/90DFA-8	82.0	78.0	30		10.4		28.5			C290D4/T2 C290D2/T2	SA00422WI Air Plains		
210K "Centurian"	L	IO-550-L (TCM)	P4024809-03	D3A34C402/90DFA-10	80.0		30		11.2		28.5			C290D4/T2 C290D2/T2	SA3104SO AERO MOD		
210K "Centurian"		IO-550-L (TCM)	P4024809-03	D3A34C402/90DFA-10	80.0	78.0	30		11.2		28.5			C290D4/T2	SA00274AT JOHN JEWELL		
210K "Centurian"		IO-550-P (TCM)		Hartzell										C290D4/T5	SA02029AT Atlantic Aero		
210L (S/N 21059503 - 21060539) "Centurian"	L	IO-520-L (TCM)	OBSOLETE	E2A34C73/90AT-8	82.0	80.0	36		10.3		25.8			C290D4/T4 C290D2/T4		1	
210L "Centurian"	L	IO-520-L (TCM)	OBSOLETE	D3A32C88/82NC-2	80.0	78.0	30		11.5		28.1			C290D4/T4 C290D2/T4		1	
210L "Centurian"	L	IO-520-L (TCM)	P4024809-05	D3A34C402/90DFA-8	82.0	78.0	30		10.4		28.5			C290D4/T4 C290D2/T4	SA00422WI Air Plains		
210L "Centurian"	L	IO-520-L (TCM)	P4044809-11	D3A34C404/80VA-0	80.0	78.5	30		11.0		27.0			C290D4/T4 C290D2/T4	SA5896NM American		
210L "Centurian"	L	IO-550-L (TCM)	P4024809-05	D3A34C402/90DFA-8	82.0	78.0	30		10.4		28.5			C290D4/T2 C290D2/T2	SA00422WI Air Plains		

Constant Speed Propeller Applications

Aircraft		Engine		Model	Diameter		Ref		Blade Angles			Spinner		Governors	STC Number STC Holder STC Kit P/N	Notes
Model	T Y P E	Model (Make)	Part Number		Max	Min	Sta	Rev	Low or Flight Idle	Latch or Start Locks	High or Feather	Assembly P/N	T y p e			
210L "Centurian"	L	IO-550-L (TCM)	P4024809-03	D3A34C402/90DFA-10	80.0		30		11.2		28.5			C290D4/T2 C290D2/T2	SA3104SO AERO MOD	
210L "Centurian"		IO-550-L (TCM)	P4024809-03	D3A34C402/90DFA-10	80.0	78.0	30		11.2		28.5			C290D4/T2	SA00274AT JOHN JEWELL	
210L "Centurian"		IO-550-P (TCM)		Hartzell										C290D4/T5	SA02029AT Atlantic Aero	
210M (S/N 21061574 - 21062273) "Centurian"	L	IO-520-L (TCM)	OBSOLETE	D3A32C88/82NC-2	80.0	78.0	30		11.5		28.1			C290D4/T4		1
210M (S/N 21062274 and up) "Centurian"	L	IO-520-L (TCM)	P4044809-11	D3A34C404/80VA-0	80.0	78.5	30		11.0		27.0			C290D4/T4		
210M "Centurian"	L	IO-520-L (TCM)	P4024809-05	D3A34C402/90DFA-8	82.0	78.0	30		10.4		28.5			C290D4/T4 C290D2/T4	SA00422WI Air Plains	
210M "Centurian"	L	IO-520-L (TCM)	P4044809-11	D3A34C404/80VA-0	80.0	78.5	30		11.0		27.0			C290D4/T4 C290D2/T4	SA5896NM American	
210M "Centurian"	L	IO-550-L (TCM)	P4024809-05	D3A34C402/90DFA-8	82.0	78.0	30		10.4		28.5			C290D4/T2 C290D2/T2	SA00422WI Air Plains	
210M "Centurian"	L	IO-550-L (TCM)	P4024809-03	D3A34C402/90DFA-10	80.0		30		11.2		28.5			C290D4/T2 C290D2/T2	SA3104SO AERO MOD	
210M "Centurian"		IO-550-L (TCM)	P4024809-03	D3A34C402/90DFA-10	80.0	78.0	30		11.2		28.5			C290D4/T2	SA00274AT JOHN JEWELL	
210M "Centurian"		IO-550-P (TCM)		Hartzell										C290D4/T5	SA02029AT Atlantic Aero	
210N "Centurian"	L	IO-520-L (TCM)	P4044809-11	D3A34C404/80VA-0	80.0	78.5	30		11.0		27.0			C290D4/T4		
210N "Centurian"	L	IO-520-L (TCM)	P4024809-05	D3A34C402/90DFA-8	82.0	78.0	30		10.4		28.5			C290D4/T4 C290D2/T4	SA00422WI Air Plains	
210N "Centurian"	L	IO-550-L (TCM)	P4024809-05	D3A34C402/90DFA-8	82.0	78.0	30		10.4		28.5			C290D4/T2 C290D2/T2	SA00422WI Air Plains	
210N "Centurian"	L	IO-550-L (TCM)	P4024809-03	D3A34C402/90DFA-10	80.0		30		11.2		28.5			C290D4/T2 C290D2/T2	SA3104SO AERO MOD	
210N "Centurian"		IO-550-L (TCM)	P4024809-03	D3A34C402/90DFA-10	80.0	78.0	30		11.2		28.5			C290D4/T2	SA00274AT JOHN JEWELL	
210N "Centurian"		IO-550-P (TCM)		Hartzell										C290D4/T5	SA02029AT Atlantic Aero	
210R "Centurian"	L	IO-520-L (TCM)	P4044809-11	D3A34C404/80VA-0	80.0	78.5	30		11.0		27.0			C290D4/T4		
210R "Centurian"	L	IO-520-L (TCM)	P4024809-05	D3A34C402/90DFA-8	82.0	78.0	30		10.4		28.5			C290D4/T4 C290D2/T4	SA00422WI Air Plains	
210R "Centurian"	L	IO-550-L (TCM)	P4024809-05	D3A34C402/90DFA-8	82.0	78.0	30		10.4		28.5			C290D4/T2 C290D2/T2	SA00422WI Air Plains	
P210N (S/N P21000001 - P21000760) "Pressurized Centurian"	L	TSIO-520-P (TCM)	P4024809-01	D3A34C402/90DFA-10	80.0	78.5	30		12.4		28.5			C290D4/T2		11

Constant Speed Propeller Applications

Aircraft		Engine		Part Number	Model	Diameter		Ref		Blade Angles			Spinner		Governors	STC Number STC Holder STC Kit P/N	Notes
Model	TYPE	Model (Make)	Model			Max	Min	Sta	Rev	Low or Flight Idle	Latch or Start Locks	High or Feather	Assembly P/N	Type			
P210N (S/N P21000001 - P21000760) "Pressurized Centurian"	L	TSIO-520-P (TCM)	P4024809-05	D3A34C402/90DFA-8	82.0	80.0	30			10.4		28.5			C290D4/T2	SA00426WI Air Plains	
P210N (S/N P21000001 - P21000760) "Pressurized Centurian"	L	TSIO-520-P (TCM)	P4024809-01	D3A34C402/90DFA-10	80.0	78.0	30			12.4		28.5			C290D4/T2	SA00426WI Air Plains	
P210N (S/N P21000761 - P21000834) "Pressurized Centurian"	L	TSIO-520-AF (TCM)	P4024809-01	D3A34C402/90DFA-10	80.0	78.5	30			12.4		28.5			C290D4/T2		12
P210N (S/N P21000761 - P21000834) "Pressurized Centurian"	L	TSIO-520-AF (TCM)	P4024809-05	D3A34C402/90DFA-8	82.0	80.0	30			10.4		28.5			C290D4/T2	SA00426WI Air Plains	
P210N (S/N P21000761 - P21000834) "Pressurized Centurian"	L	TSIO-520-AF (TCM)	P4024809-01	D3A34C402/90DFA-10	80.0	78.0	30			12.4		28.5			C290D4/T2	SA00426WI Air Plains	
P210R (S/N P21000835 and up) "Pressurized Centurian"	L	TSIO-520-CE (TCM)	P4105572-01	D3A36C410/80VMB-0	80.0	78.5	30			14.2		36.5			C290D4/T2		
T210F "Turbo Centurian"	L	TSIO-520-C (TCM)	OBSOLETE	E2A34C70/90AT-8	82.0	80.0	36			11.8		32.0					1
T210F "Turbo Centurian"	L	TSIO-520-C (TCM)	OBSOLETE	D3A32C77/82NK-2	80.0	78.0	30			13.2		32.5					1
T210F "Turbo Centurian"	L	TSIO-520-C (TCM)	OBSOLETE	D3A32C88/82NC-2	80.0	78.0	30			14.0		33.0					1
T210F "Turbo Centurian"	L	TSIO-520-C (TCM)	P4024809-05	D3A34C402/90DFA-8	82.0	80.0	30			10.4		28.5				SA00426WI Air Plains	86
T210F "Turbo Centurian"	L	TSIO-520-C (TCM)	P4024809-01	D3A34C402/90DFA-10	80.0	78.0	30			12.4		28.5				SA00426WI Air Plains	86
T210F "Turbo Centurian"	L	TSIO-520-C (TCM)		D3A34C402/90DFA-10	80.0		30									SA2582NM American	11
T210G "Turbo Centurian"	L	TSIO-520-C (TCM)	OBSOLETE	E2A34C70/90AT-8	82.0	80.0	36			11.8		32.0			C290D4/T2 C290D2/T2		1
T210G "Turbo Centurian"	L	TSIO-520-C (TCM)	OBSOLETE	D3A32C77/82NK-2	80.0	78.0	30			13.2		32.5			C290D4/T2 C290D2/T2		1
T210G "Turbo Centurian"	L	TSIO-520-C (TCM)	OBSOLETE	D3A32C88/82NC-2	80.0	78.0	30			14.0		33.0			C290D4/T2 C290D2/T2		1
T210G "Turbo Centurian"	L	TSIO-520-C (TCM)	P4024809-05	D3A34C402/90DFA-8	82.0	80.0	30			10.4		28.5			C290D4/T2 C290D2/T2	SA00426WI Air Plains	86
T210G "Turbo Centurian"	L	TSIO-520-C (TCM)	P4024809-01	D3A34C402/90DFA-10	80.0	78.0	30			12.4		28.5			C290D4/T2 C290D2/T2	SA00426WI Air Plains	86
T210G "Turbo Centurian"	L	TSIO-520-C (TCM)		D3A34C402/90DFA-10	80.0		30									SA2582NM American	11
T210H "Turbo Centurian"	L	TSIO-520-C (TCM)	OBSOLETE	E2A34C70/90AT-8	82.0	80.0	36			11.8		32.0			C290D4/T2 C290D2/T2		1
T210H "Turbo Centurian"	L	TSIO-520-C (TCM)	OBSOLETE	D3A32C88/82NC-2	80.0	78.0	30			14.0		33.0			C290D4/T2 C290D2/T2		1

Constant Speed Propeller Applications

Aircraft		Engine			Diameter		Ref	Blade Angles				Spinner		Governors	STC Number STC Holder STC Kit P/N	Notes
Model	T Y P E	Model (Make)	Part Number	Model	Max	Min	Sta	Rev	Low or Flight Idle	Latch or Start Locks	High or Feather	Assembly P/N	T y p e			
T210H "Turbo Centurian"	L	TSIO-520-C (TCM)	P4024809-05	D3A34C402/90DFA-8	82.0	80.0	30		10.4		28.5			C290D4/T2 C290D2/T2	SA00426WI Air Plains	86
T210H "Turbo Centurian"	L	TSIO-520-C (TCM)	P4024809-01	D3A34C402/90DFA-10	80.0	78.0	30		12.4		28.5			C290D4/T2 C290D2/T2	SA00426WI Air Plains	86
T210H "Turbo Centurian"	L	TSIO-520-C (TCM)		D3A34C402/90DFA-10	80.0		30								SA2582NM American	11
T210J "Turbo Centurian"	L	TSIO-520-H (TCM)	OBSOLETE	E2A34C70/90AT-8	82.0	80.0	36		11.8		32.0			C290D4/T2 C290D2/T2		1
T210J "Turbo Centurian"	L	TSIO-520-H (TCM)	OBSOLETE	D3A32C88/82NC-2	80.0	78.0	30		14.0		33.0			C290D4/T2 C290D2/T2		1
T210J "Turbo Centurian"	L	TSIO-520-H (TCM)	P4024809-05	D3A34C402/90DFA-8	82.0	80.0	30		10.4		28.5			C290D4/T2 C290D2/T2	SA00426WI Air Plains	
T210J "Turbo Centurian"	L	TSIO-520-H (TCM)	P4024809-01	D3A34C402/90DFA-10	80.0	78.0	30		12.4		28.5			C290D4/T2 C290D2/T2	SA00426WI Air Plains	
T210J "Turbo Centurian"	L	TSIO-520-H (TCM)		D3A34C402/90DFA-10	80.0		30								SA2582NM American	11
T210K "Turbo Centurian"	L	TSIO-520-H (TCM)	OBSOLETE	E2A34C70/90AT-8	82.0	80.0	36		11.8		32.0			C290D4/T2 C290D2/T2		1
T210K "Turbo Centurian"	L	TSIO-520-H (TCM)	OBSOLETE	D3A32C88/82NC-2	80.0	78.0	30		14.0		33.0			C290D4/T2 C290D2/T2		1
T210K "Turbo Centurian"	L	TSIO-520-H (TCM)	P4024809-05	D3A34C402/90DFA-8	82.0	80.0	30		10.4		28.5			C290D4/T2 C290D2/T2	SA00426WI Air Plains	
T210K "Turbo Centurian"	L	TSIO-520-H (TCM)	P4024809-01	D3A34C402/90DFA-10	80.0	78.0	30		12.4		28.5			C290D4/T2 C290D2/T2	SA00426WI Air Plains	
T210K "Turbo Centurian"	L	TSIO-520-H (TCM)		D3A34C402/90DFA-10	80.0		30								SA2582NM American	11
T210L (S/N 21059503 - 21060539) "Turbo Centurian"	L	TSIO-520-H (TCM)	OBSOLETE	E2A34C70/90AT-8	82.0	80.0	36		11.8		32.0			C290D4/T2 C290D2/T2		1
T210L "Turbo Centurian"	L	TSIO-520-H (TCM)	OBSOLETE	D3A32C88/82NC-2	80.0	78.0	30		14.0		33.0			C290D4/T2 C290D2/T2		1
T210L "Turbo Centurian"	L	TSIO-520-H (TCM)	P4024809-05	D3A34C402/90DFA-8	82.0	80.0	30		10.4		28.5			C290D4/T2 C290D2/T2	SA00426WI Air Plains	
T210L "Turbo Centurian"	L	TSIO-520-H (TCM)	P4024809-01	D3A34C402/90DFA-10	80.0	78.0	30		12.4		28.5			C290D4/T2 C290D2/T2	SA00426WI Air Plains	
T210L "Turbo Centurian"	L	TSIO-520-H (TCM)		D3A34C402/90DFA-10	80.0		30								SA2582NM American	11
T210M "Turbo Centurian"	L	TSIO-520-R (TCM)	P4024809-01	D3A34C402/90DFA-10	80.0	78.5	30		12.4		28.5			C290D4/T2		11
T210M "Turbo Centurian"	L	TSIO-520-R (TCM)	P4024809-05	D3A34C402/90DFA-8	82.0	80.0	30		10.4		28.5			C290D4/T2 C290D2/T2	SA00426WI Air Plains	
T210M "Turbo Centurian"	L	TSIO-520-R (TCM)	P4024809-01	D3A34C402/90DFA-10	80.0	78.0	30		12.4		28.5			C290D4/T2 C290D2/T2	SA00426WI Air Plains	
T210N "Turbo Centurian"	L	TSIO-520-R (TCM)	P4024809-01	D3A34C402/90DFA-10	80.0	78.5	30		12.4		28.5			C290D4/T2		11
T210N "Turbo Centurian"	L	TSIO-520-R (TCM)	P4024809-05	D3A34C402/90DFA-8	82.0	80.0	30		10.4		28.5			C290D4/T2 C290D2/T2	SA00426WI Air Plains	
T210N "Turbo Centurian"	L	TSIO-520-R (TCM)	P4024809-01	D3A34C402/90DFA-10	80.0	78.0	30		12.4		28.5			C290D4/T2 C290D2/T2	SA00426WI Air Plains	
T210R "Turbo Centurian"	L	TSIO-520-CE (TCM)	P4105572-01	D3A36C410/80VMB-0	80.0	78.5	30		14.2		36.5			C290D4/T2		

Constant Speed Propeller Applications

Aircraft		Engine		Part Number	Model	Diameter		Ref		Blade Angles			Spinner		Governors	STC Number STC Holder STC Kit P/N	Notes
Model	TYPE	Model (Make)	Model (Make)			Max	Min	Sta	Rev	Low or Flight Idle	Latch or Start Locks	High or Feather	Assembly P/N	Type			
300 "LC40-550FG"	L	IO-550-N (TCM)	P4447800-01 P4447800-0161	D3A34C444/78MLA-0	78.0	76.5	30			11.6		31.6	E-7819	E,P	C290D3/T43	SA01390WI McCauley PL60348 PL60350	
T303 (left) "Crusader"	L	TSIO-520-AE (TCM)	P5065201-01	3AF32C506/82NEB-8	74.0	72.5	30			18.9	22.2	81.0	D-5275-1 D-5275-2	E,S E,P	DCFT290D16/T7 DCFTU290D16/T7 DCFTS290D15/T7 DCFTUS290D15/T7		
T303 (right) "Crusader"	L	LTSIO-520-AE (TCM)	P5075203-01	3AF32C507/L82NEB-8	74.0	72.5	30			18.9	22.2	81.0	D-5275-1 D-5275-2	E,S E,P	DCFT290D11/T7 DCFTU290D11/T7 DCFTS290D10/T7 DCFTUS290D10/T7		
CESSNA (REGAL AIR, Inc.)																	
305B "Bird Dog" "USAF O-1D,O-1F,TO-1D" "ARMY TL-19D-CE"	L	O-470-15 (TCM)	OBSOLETE	2A36C1/90M-0 2A36C1/90M-10	90.0	80.0	36			7.0 9.0		22.5					1
305B "Bird Dog" "USAF O-1D,O-1F,TO-1D" "ARMY TL-19D-CE"	L	O-470-15 (TCM)	OBSOLETE	2A34C66/90AT-0	90.0	88.0	36			9.5		22.5					1
305E "Bird Dog" "USAF O-1D,O-1F,TO-1D"	L	O-470-15 (TCM)	OBSOLETE	2A36C1/90M-0 2A36C1/90M-10	90.0	80.0	36			7.0 9.0		22.5					1
305E "Bird Dog" "USAF O-1D,O-1F,TO-1D"	L	O-470-15 (TCM)	OBSOLETE	2A34C66/90AT-0	90.0	88.0	36			9.5		22.5					1
CESSNA																	
310	L	O-470-B (TCM)		Hartzell - See aircraft TCDS											DCFU290D13/T2 DCFU290D7/T2 DCFU290D2/T2 DCFU290D1/T2		
310	L	O-470-M (TCM)		Hartzell - See aircraft TCDS											DCFU290D13/T2 DCFU290D7/T2 DCFU290D2/T2 DCFU290D1/T2		
310	L	O-470-M (TCM)	OBSOLETE	2AF36C26/90MF-10	80.0	78.5	36						D-2496	S	DCFU290D13/T2 DCFU290D7/T2 DCFU290D2/T2 DCFU290D1/T2	SA3-475 McCauley	1
310	L	O-470-M (TCM)	P5287552-01	3AF32C528/82NEA-4	78.0	76.0	30			11.7	16.3	81.3	D-5215	P	DCFU290D13/T2 DCFU290D7/T2 DCFU290D2/T2 DCFU290D1/T2	SA00879CH McCauley PL60241	62
310A "USAF U-3A"	L	O-470-M (TCM)		Hartzell - See aircraft TCDS											DCFU290D13/T2 DCFU290D7/T2 DCFU290D2/T2 DCFU290D1/T2		
310A "USAF U-3A"	L	O-470-M (TCM)	OBSOLETE	2AF36C26/90MF-10	80.0	78.5	36						D-2496	S	DCFU290D13/T2 DCFU290D7/T2 DCFU290D2/T2 DCFU290D1/T2	SA3-475 McCauley	1

Constant Speed Propeller Applications

Aircraft		Engine			Diameter		Ref		Blade Angles			Spinner		Governors	STC Number STC Holder STC Kit P/N	Notes
Model	TYPE	Model (Make)	Part Number	Model	Max	Min	Sta	Rev	Low or Flight Idle	Latch or Start Locks	High or Feather	Assembly P/N	Type			
310A "USAF U-3A"	L	O-470-M (TCM)	P5287552-01	3AF32C528/82NEA-4	78.0	76.0	30		11.7	16.3	81.3	D-5215	P	DCFU290D13/T2 DCFU290D7/T2 DCFU290D2/T2 DCFU290D1/T2	SA00879CH McCauley PL60241	62
310B	L	O-470-M (TCM)		Hartzell - See aircraft TCDS										DCFU290D13/T2 DCFU290D7/T2 DCFU290D2/T2 DCFU290D1/T2		
310B	L	O-470-M (TCM)	OBSOLETE	2AF36C26/90MF-10	80.0	78.5	36					D-2496	S	DCFU290D13/T2 DCFU290D7/T2 DCFU290D2/T2 DCFU290D1/T2	SA3-475 McCauley	1
310B	L	O-470-M (TCM)	P5287552-01	3AF32C528/82NEA-4	78.0	76.0	30		11.7	16.3	81.3	D-5215	P	DCFU290D13/T2 DCFU290D7/T2 DCFU290D2/T2 DCFU290D1/T2	SA00879CH McCauley PL60241	62
310C	L	IO-470-D (TCM)	OBSOLETE	D2AF36C48/90MF-10	80.0	78.0	36		11.0	14.0	77.0	D-2844	S	DCFU290D13/T2 DCFU290D7/T2 DCFU290D2/T2 DCFU290D1/T2		1
310C	L	IO-470-D (TCM)		Hartzell - See aircraft TCDS										DCFU290D13/T2 DCFU290D7/T2 DCFU290D2/T2 DCFU290D1/T2		
310C	L	IO-470-D (TCM)	P5287552-02 P5287552-0281 P5287552-0219	3AF32C528/82NEA-4	78.0	76.0	30		12.5	16.3	81.3	D-5215	P A E	DCFU290D13/T2 DCFU290D7/T2 DCFU290D2/T2 DCFU290D1/T2	SA00879CH McCauley PL60242 PL60243 PL60244	62
310D	L	IO-470-D (TCM)	OBSOLETE	D2AF36C48/90MF-10	80.0	78.0	36		11.0	14.0	77.0	D-2844	S	DCFU290D13/T2 DCFU290D7/T2 DCFU290D2/T2 DCFU290D1/T2		1
310D	L	IO-470-D (TCM)		Hartzell - See aircraft TCDS										DCFU290D13/T2 DCFU290D7/T2 DCFU290D2/T2 DCFU290D1/T2		
310D	L	IO-470-D (TCM)	P5287552-02 P5287552-0281 P5287552-0219	3AF32C528/82NEA-4	78.0	76.0	30		12.5	16.3	81.3	D-5215	P A E	DCFU290D13/T2 DCFU290D7/T2 DCFU290D2/T2 DCFU290D1/T2	SA00879CH McCauley PL60242 PL60243 PL60244	62
310E "USAF U-3B"	L	IO-470-D (TCM)	OBSOLETE	D2AF36C48/90MF-10	80.0	78.0	36		11.0	14.0	77.0	D-2844	S	DCFU290D13/T2 DCFU290D7/T2 DCFU290D2/T2 DCFU290D1/T2		1
310E "USAF U-3B"	L	IO-470-D (TCM)		Hartzell - See aircraft TCDS										DCFU290D13/T2 DCFU290D7/T2 DCFU290D2/T2 DCFU290D1/T2		

Constant Speed Propeller Applications

Aircraft		Engine		Part Number	Model	Diameter		Ref		Blade Angles			Spinner		Governors	STC Number STC Holder STC Kit P/N	Notes
Model	TYPE	Model (Make)	Model			Max	Min	Sta	Rev	Low or Flight Idle	Latch or Start Locks	High or Feather	Assembly P/N	Type			
310E "USAF U-3B"	L	IO-470-D (TCM)	P5287552-02 P5287552-0281 P5287552-0219	3AF32C528/82NEA-4	78.0	76.0	30		12.5	16.3	81.3	D-5215	PAE	DCFU290D13/T2 DCFU290D7/T2 DCFU290D2/T2 DCFU290D1/T2	SA00879CH McCauley PL60242 PL60243 PL60244	62	
310F	L	IO-470-D (TCM)	OBSOLETE	D2AF36C48/90MF-10	80.0	78.0	36		11.0	14.0	77.0	D-2844	S	DCFU290D13/T2 DCFU290D7/T2 DCFU290D2/T2 DCFU290D1/T2		1	
310F	L	IO-470-D (TCM)		Hartzell - See aircraft TCDS										DCFU290D13/T2 DCFU290D7/T2 DCFU290D2/T2 DCFU290D1/T2			
310F	L	IO-470-D (TCM)	P5287552-02 P5287552-0281 P5287552-0219	3AF32C528/82NEA-4	78.0	76.0	30		12.5	16.3	81.3	D-5215	PAE	DCFU290D13/T2 DCFU290D7/T2 DCFU290D2/T2 DCFU290D1/T2	SA00879CH McCauley PL60242 PL60243 PL60244	62	
310G	L	IO-470-D (TCM)	OBSOLETE	D2AF36C48/90MF-10	80.0	78.0	36		11.0	14.0	77.0	D-2844	S	DCFU290D13/T2 DCFU290D7/T2 DCFU290D2/T2 DCFU290D1/T2		1	
310G	L	IO-470-D (TCM)		Hartzell - See aircraft TCDS										DCFU290D13/T2 DCFU290D7/T2 DCFU290D2/T2 DCFU290D1/T2			
310G	L	IO-470-D (TCM)	P5287552-02 P5287552-0281 P5287552-0219	3AF32C528/82NEA-4	78.0	76.0	30		12.5	16.3	81.3	D-5215	PAE	DCFU290D13/T2 DCFU290D7/T2 DCFU290D2/T2 DCFU290D1/T2	SA00879CH McCauley PL60242 PL60243 PL60244	62	
310G	L	IO-520-E (TCM)		3AF32C504/82NEA			30								SA412SO Colemill		
310G	L	IO-550-E (TCM)		3AF32C504/82NEA			30								SA412SO Colemill		
310H	L	IO-470-D (TCM)	OBSOLETE	D2AF36C48/90MF-10	80.0	78.0	36		11.0	14.0	77.0	D-2844	S	DCFU290D13/T2 DCFU290D7/T2 DCFU290D2/T2 DCFU290D1/T2		1	
310H	L	IO-470-D (TCM)		Hartzell - See aircraft TCDS										DCFU290D13/T2 DCFU290D7/T2 DCFU290D2/T2 DCFU290D1/T2			
310H	L	IO-470-D (TCM)	P5287552-02 P5287552-0281 P5287552-0219	3AF32C528/82NEA-4	78.0	76.0	30		12.5	16.3	81.3	D-5215	PAE	DCFU290D13/T2 DCFU290D7/T2 DCFU290D2/T2 DCFU290D1/T2	SA00879CH McCauley PL60242 PL60243 PL60244	62	
310H	L	IO-520-E (TCM)		3AF32C504/82NEA			30								SA412SO Colemill		
310H	L	IO-550-E (TCM)		3AF32C504/82NEA			30								SA412SO Colemill		

Constant Speed Propeller Applications

Aircraft		Engine		Model	Diameter		Ref		Blade Angles			Spinner		Governors	STC Number STC Holder STC Kit P/N	Notes
Model	TYPE	Model (Make)	Part Number		Max	Min	Sta	Rev	Low or Flight Idle	Latch or Start Locks	High or Feather	Assembly P/N	Type			
E310H	L	IO-470-D (TCM)	OBSOLETE	D2AF36C48/90MF-10	80.0	78.0	36		11.0	14.0	77.0	D-2844	S	DCFU290D13/T2 DCFU290D7/T2 DCFU290D2/T2 DCFU290D1/T2		1
E310H	L	IO-470-D (TCM)		Hartzell - See aircraft TCDS										DCFU290D13/T2 DCFU290D7/T2 DCFU290D2/T2 DCFU290D1/T2		
E310H	L	IO-470-D (TCM)	P5287552-02 P5287552-0281 P5287552-0219	3AF32C528/82NEA-4	78.0	76.0	30		12.5	16.3	81.3	D-5215	PAE	DCFU290D13/T2 DCFU290D7/T2 DCFU290D2/T2 DCFU290D1/T2	SA00879CH McCauley PL60242 PL60243 PL60244	62
310I	L	IO-470-U (TCM)	OBSOLETE	D2AF34C52/80GF-0	80.0	78.0	30		13.8	17.1	80.5			DCFU290D13/T2 DCFU290D7/T2 DCFU290D2/T2 DCFU290D1/T2		1
310I	L	IO-470-U (TCM)	P5287552-02 P5287552-0281 P5287552-0219	3AF32C528/82NEA-4	78.0	76.0	30		12.5	16.3	81.3	D-5215	PAE	DCFU290D13/T2 DCFU290D7/T2 DCFU290D2/T2 DCFU290D1/T2	SA00879CH McCauley PL60242 PL60243 PL60244	62
310I	L	IO-520-E (TCM)		3AF32C504/82NEA			30								SA412SO Colemill	
310I	L	IO-550-E (TCM)		3AF32C504/82NEA			30								SA412SO Colemill	
310J	L	IO-470-U (TCM)	OBSOLETE	D2AF34C65/84JF-3	81.0	79.0	30		12.8	15.8	82.6			DCFU290D13/T2 DCFU290D7/T2 DCFU290D2/T2 DCFU290D1/T2		1
310J	L	IO-470-U (TCM)	OBSOLETE	D2AF34C81/84JF-3	81.0	79.0	30		12.8	17.1	82.6			DCFU290D13/T2 DCFU290D7/T2 DCFU290D2/T2 DCFU290D1/T2		1
310J	L	IO-470-U (TCM)	P5125358-07 P5125358-0718	3AF32C512/82NEA-5.5	76.5	74.0	30		13.0	16.1	81.7	D-5310	E,P	DCFU290D13/T2 DCFU290D7/T2 DCFU290D2/T2 DCFU290D1/T2	SA01847CH McCauley PL60344 PL60345	
310J	L	IO-520-E (TCM)		3AF32C512/82NEA											SA412SO Colemill	
310J	L	IO-550-E (TCM)		3AF32C512/82NEA											SA412SO Colemill	
310J-1	L	IO-470-U (TCM)	OBSOLETE	D2AF34C71/84JF-3	81.0	79.0	30		11.4	17.1	83.0			DCFU290D13/T2 DCFU290D7/T2 DCFU290D2/T2 DCFU290D1/T2		1
310J-1	L	IO-470-U (TCM)	P5287552-02 P5287552-0281 P5287552-0219	3AF32C528/82NEA-4	78.0	76.0	30		12.5	16.3	81.3	D-5215	PAE	DCFU290D13/T2 DCFU290D7/T2 DCFU290D2/T2 DCFU290D1/T2	SA00879CH McCauley PL60242 PL60243 PL60244	

Constant Speed Propeller Applications

Aircraft		Engine		Part Number	Model	Diameter		Ref		Blade Angles			Spinner		Governors	STC Number STC Holder STC Kit P/N	Notes
Model	TYPE	Model (Make)	Model (Make)			Max	Min	Sta	Rev	Low or Flight Idle	Latch or Start Locks	High or Feather	Assembly P/N	Type			
E310J	L	IO-470-U (TCM)	OBSOLETE	D2AF34C65/84JF-3	81.0	79.0	30		12.8	15.8	82.6			DCFU290D13/T2 DCFU290D7/T2 DCFU290D2/T2 DCFU290D1/T2		1	
E310J	L	IO-470-U (TCM)	OBSOLETE	D2AF34C81/84JF-3	81.0	79.0	30		12.8	17.1	82.6			DCFU290D13/T2 DCFU290D7/T2 DCFU290D2/T2 DCFU290D1/T2		1	
E310J	L	IO-470-U (TCM)	P5125358-07 P5125358-0718	3AF32C512/82NEA-5.5	76.5	74.0	30		13.0	16.1	81.7	D-5310	E,P	DCFU290D13/T2 DCFU290D7/T2 DCFU290D2/T2 DCFU290D1/T2	SA01847CH McCauley PL60344 PL60345		
310K	L	IO-470-V (TCM)	OBSOLETE	D2AF34C81/84JF-3	81.0	79.0	30		12.8	17.1	82.6			DCFU290D13/T2 DCFU290D7/T2 DCFU290D2/T2 DCFU290D1/T2		1	
310K	L	IO-470-V (TCM)	OBSOLETE	D3AF32C80/82NC-4	78.0	74.0	30		12.5	16.3	81.2	D-3649	E,S	DCFU290D13/T2 DCFU290D7/T2 DCFU290D2/T2 DCFU290D1/T2		1	
310K	L	IO-470-V (TCM)	P5125358-07 P5125358-0718	3AF32C512/82NEA-5.5	76.5	74.0	30		13.0	16.1	81.7	D-5310	E,P	DCFU290D13/T2 DCFU290D7/T2 DCFU290D2/T2 DCFU290D1/T2	SA01847CH McCauley PL60344 PL60345		
310K	L	IO-470-VO (TCM)	OBSOLETE	D2AF34C81/84JF-3	81.0	79.0	30		12.8	17.1	82.6			DCFU290D13/T2 DCFU290D7/T2 DCFU290D2/T2 DCFU290D1/T2		1	
310K	L	IO-470-VO (TCM)	OBSOLETE	D3AF32C80/82NC-4	78.0	74.0	30		12.5	16.3	81.2	D-3649	E,S	DCFU290D13/T2 DCFU290D7/T2 DCFU290D2/T2 DCFU290D1/T2		1	
310K	L	IO-470-VO (TCM)	P5125358-07 P5125358-0718	3AF32C512/82NEA-5.5	76.5	74.0	30		13.0	16.1	81.7	D-5310	E,P	DCFU290D13/T2 DCFU290D7/T2 DCFU290D2/T2 DCFU290D1/T2	SA01847CH McCauley PL60344 PL60345		
310K	L	IO-520-E (TCM)		3AF32C512/82NEA											SA412SO Colemill		
310K	L	IO-550-E (TCM)		3AF32C512/82NEA											SA412SO Colemill		
310L	L	IO-470-V (TCM)	OBSOLETE	D2AF34C81/84JF-3	81.0	79.0	30		12.8	17.1	82.6			DCFU290D13/T2 DCFU290D7/T2 DCFU290D2/T2 DCFU290D1/T2		1	
310L	L	IO-470-V (TCM)	OBSOLETE	D3AF32C80/82NC-4	78.0	74.0	30		12.5	16.3	81.2	D-3649	E,S	DCFU290D13/T2 DCFU290D7/T2 DCFU290D2/T2 DCFU290D1/T2		1	
310L	L	IO-470-V (TCM)	P5125358-07 P5125358-0718	3AF32C512/82NEA-5.5	76.5	74.0	30		13.0	16.1	81.7	D-5310	E,P	DCFU290D13/T2 DCFU290D7/T2 DCFU290D2/T2 DCFU290D1/T2	SA01847CH McCauley PL60344 PL60345		

Constant Speed Propeller Applications

Aircraft		Engine		Part Number	Model	Diameter		Ref		Blade Angles			Spinner		Governors	STC Number STC Holder STC Kit P/N	Notes
Model	TYPE	Model (Make)	Model (Make)			Max	Min	Sta	Rev	Low or Flight Idle	Latch or Start Locks	High or Feather	Assembly P/N	Type			
310L	L	IO-470-VO (TCM)	OBSOLETE	D2AF34C81/84JF-3	81.0	79.0	30		12.8	17.1	82.6			DCFU290D13/T2 DCFU290D7/T2 DCFU290D2/T2 DCFU290D1/T2		1	
310L	L	IO-470-VO (TCM)	OBSOLETE	D3AF32C80/82NC-4	78.0	74.0	30		12.5	16.3	81.2	D-3649	E,S	DCFU290D13/T2 DCFU290D7/T2 DCFU290D2/T2 DCFU290D1/T2		1	
310L	L	IO-470-VO (TCM)	P5125358-07 P5125358-0718	3AF32C512/82NEA-5.5	76.5	74.0	30		13.0	16.1	81.7	D-5310	E,P	DCFU290D13/T2 DCFU290D7/T2 DCFU290D2/T2 DCFU290D1/T2	SA01847CH McCauley PL60344 PL60345		
310L	L	IO-520-E (TCM)		3AF32C512/82NEA			30								SA412SO Colemill		
310L	L	IO-550-E (TCM)		3AF32C512/82NEA			30								SA412SO Colemill		
310N	L	IO-470-V (TCM)	OBSOLETE	D2AF34C81/84JF-3	81.0	79.0	30		12.8	17.1	82.6			DCFU290D13/T2 DCFU290D7/T2 DCFU290D2/T2 DCFU290D1/T2		1	
310N	L	IO-470-V (TCM)	OBSOLETE	D3AF32C80/82NC-4	78.0	74.0	30		12.5	16.3	81.2	D-3649	E,S	DCFU290D13/T2 DCFU290D7/T2 DCFU290D2/T2 DCFU290D1/T2		1	
310N	L	IO-470-V (TCM)	P5125358-07 P5125358-0718	3AF32C512/82NEA-5.5	76.5	74.0	30		13.0	16.1	81.7	D-5310	E,P	DCFU290D13/T2 DCFU290D7/T2 DCFU290D2/T2 DCFU290D1/T2	SA01847CH McCauley PL60344 PL60345		
310N	L	IO-470-VO (TCM)	OBSOLETE	D2AF34C81/84JF-3	81.0	79.0	30		12.8	17.1	82.6			DCFU290D13/T2 DCFU290D7/T2 DCFU290D2/T2 DCFU290D1/T2		1	
310N	L	IO-470-VO (TCM)	OBSOLETE	D3AF32C80/82NC-4	78.0	74.0	30		12.5	16.3	81.2	D-3649	E,S	DCFU290D13/T2 DCFU290D7/T2 DCFU290D2/T2 DCFU290D1/T2		1	
310N	L	IO-470-VO (TCM)	P5125358-07 P5125358-0718	3AF32C512/82NEA-5.5	76.5	74.0	30		13.0	16.1	81.7	D-5310	E,P	DCFU290D13/T2 DCFU290D7/T2 DCFU290D2/T2 DCFU290D1/T2	SA01847CH McCauley PL60344 PL60345		
310N	L	IO-520-E (TCM)		3AF32C512/82NEA			30								SA412SO Colemill		
310N	L	IO-550-E (TCM)		3AF32C512/82NEA			30								SA412SO Colemill		

Constant Speed Propeller Applications

Aircraft		Engine		Part Number	Model	Diameter		Ref		Blade Angles			Spinner		Governors	STC Number STC Holder STC Kit P/N	Notes
Model	TYPE	Model (Make)	Model (Make)			Max	Min	Sta	Rev	Low or Flight Idle	Latch or Start Locks	High or Feather	Assembly P/N	Type			
310P	L	IO-470-VO (TCM)	OBSOLETE	D2AF34C71/84JF-3	81.0	78.0	30		12.8	17.1	82.6	D-3933	E,S	DCFUS290D13/T2 DCFUS290D7/T2 DCFUS290D2/T2 DCFUS290D1/T2 DCFU290D13/T2 DCFU290D7/T2 DCFU290D2/T2 DCFU290D1/T2 DCFS290D7/T2 DCFS290D2/T2 DCFS290D1/T2 DCF290D7/T2 DCF290D2/T2 DCF290D1/T2		1	
310P	L	IO-470-VO (TCM)	OBSOLETE	3AF32C87/82NC-4	78.0	74.0	30		12.5	17.3	81.3	D-3934	E,S	DCFUS290D13/T2 DCFUS290D7/T2 DCFUS290D2/T2 DCFUS290D1/T2 DCFU290D13/T2 DCFU290D7/T2 DCFU290D2/T2 DCFU290D1/T2 DCFS290D7/T2 DCFS290D2/T2 DCFS290D1/T2 DCF290D7/T2 DCF290D2/T2 DCF290D1/T2		15	
310P	L	IO-470-VO (TCM)	P5045186-05 P5045186-0519	3AF32C504/82NEA-5.5	76.5	74.0	30		13.0	16.1	81.7	D-7185	E,S	DCFUS290D13/T2 DCFUS290D7/T2 DCFUS290D2/T2 DCFUS290D1/T2 DCFU290D13/T2 DCFU290D7/T2 DCFU290D2/T2 DCFU290D1/T2 DCFS290D7/T2 DCFS290D2/T2 DCFS290D1/T2 DCF290D7/T2 DCF290D2/T2 DCF290D1/T2		15	

Constant Speed Propeller Applications

Aircraft		Engine		Part Number	Model	Diameter		Ref		Blade Angles			Spinner		Governors	STC Number STC Holder STC Kit P/N	Notes
Model	TYPE	Model (Make)	Model (Make)			Max	Min	Sta	Rev	Low or Flight Idle	Latch or Start Locks	High or Feather	Assembly P/N	Type			
310P	L	IO-470-VO (TCM)	P5287552-02 P5287552-0219	3AF32C528/82NEA-4	78.0	74.0	30		12.5	16.3	81.3	D-7185	E,S	DCFUS290D13/T2 DCFUS290D7/T2 DCFUS290D2/T2 DCFUS290D1/T2 DCFU290D13/T2 DCFU290D7/T2 DCFU290D2/T2 DCFU290D1/T2 DCFS290D7/T2 DCFS290D2/T2 DCFS290D1/T2 DCF290D7/T2 DCF290D2/T2 DCF290D1/T2	SA00880CH McCauley PL60252 PL60256		
310P	L	IO-520-E (TCM)		3AF32C504/82NEA			30									SA412SO Colemill	
310P	L	IO-550-E (TCM)		3AF32C504/82NEA			30									SA412SO Colemill	
310Q	L	IO-470-VO (TCM)	OBSOLETE	D2AF34C71/84JF-3	81.0	78.0	30		12.8	17.1	82.6	D-3933	E,S	DCFUS290D13/T2 DCFUS290D7/T2 DCFUS290D2/T2 DCFUS290D1/T2 DCFU290D13/T2 DCFU290D7/T2 DCFU290D2/T2 DCFU290D1/T2 DCFS290D7/T2 DCFS290D2/T2 DCFS290D1/T2 DCF290D7/T2 DCF290D2/T2 DCF290D1/T2		1	
310Q	L	IO-470-VO (TCM)	OBSOLETE	3AF32C87/82NC-4	78.0	74.0	30		12.5	17.3	81.3	D-3934	E,S	DCFUS290D13/T2 DCFUS290D7/T2 DCFUS290D2/T2 DCFUS290D1/T2 DCFU290D13/T2 DCFU290D7/T2 DCFU290D2/T2 DCFU290D1/T2 DCFS290D7/T2 DCFS290D2/T2 DCFS290D1/T2 DCF290D7/T2 DCF290D2/T2 DCF290D1/T2		1 15	

Constant Speed Propeller Applications

Aircraft		Engine		Part Number	Model	Diameter		Ref		Blade Angles			Spinner		Governors	STC Number STC Holder STC Kit P/N	Notes
Model	TYPE	Model (Make)	Model (Make)			Max	Min	Sta	Rev	Low or Flight Idle	Latch or Start Locks	High or Feather	Assembly P/N	Type			
310Q	L	IO-470-VO (TCM)		P5045186-05 P5045186-0519	3AF32C504/82NEA-5.5	76.5	74.0	30		13.0	16.1	81.7	D-7185	E,S	DCFUS290D13/T2 DCFUS290D7/T2 DCFUS290D2/T2 DCFUS290D1/T2 DCFU290D13/T2 DCFU290D7/T2 DCFU290D2/T2 DCFU290D1/T2 DCFS290D7/T2 DCFS290D2/T2 DCFS290D1/T2 DCF290D7/T2 DCF290D2/T2 DCF290D1/T2		15
310Q	L	IO-470-VO (TCM)		P5287552-02 P5287552-0219	3AF32C528/82NEA-4	78.0	74.0	30		12.5	16.3	81.3	D-7185	E,S	DCFUS290D13/T2 DCFUS290D7/T2 DCFUS290D2/T2 DCFUS290D1/T2 DCFU290D13/T2 DCFU290D7/T2 DCFU290D2/T2 DCFU290D1/T2 DCFS290D7/T2 DCFS290D2/T2 DCFS290D1/T2 DCF290D7/T2 DCF290D2/T2 DCF290D1/T2	SA00880CH McCaughey PL60252 PL60256	
310Q	L	IO-520-E (TCM)			3AF32C504/82NEA			30								SA412SO Colemill	
310Q	L	IO-550-E (TCM)			3AF32C504/82NEA			30								SA412SO Colemill	

Constant Speed Propeller Applications

Aircraft		Engine		Part Number	Model	Diameter		Ref		Blade Angles			Spinner		Governors	STC Number STC Holder STC Kit P/N	Notes
Model	TYPE	Model (Make)	Model (Make)			Max	Min	Sta	Rev	Low or Flight Idle	Latch or Start Locks	High or Feather	Assembly P/N	Type			
310R	L	IO-520-M (TCM)	OBSOLETE	3AF32C87/82NC-5.5	76.5	74.5	30			13.9	17.3	81.7	D-3797 D-5215	E,S E,P	ALL S/N's DCF290D7/T3 DCF290D2/T3 DCFU290D13/T3 DCFU290D2/T3 DCFS290D7/T3 DCFUS290D13/T3 DCFUS290D7/T3 S/N 310R0001 - 310R0330 DCFU290D7/T3 DCFS290D2/T3 DCFUS290D2/T3 S/N 310R0501 - 310R1004 DCFUS290D5/T3 S/N 310R1201 AND UP DCFUS290D6/T3 S/N 310R0501 AND UP DCFS290D8/T3 DCFS290D5/T3 DCFS290D4/T3 DCFUS290D12/T3 DCFUS290D8/T3 DCFUS290D7/T3 DCFUS290D4/T3		1 15
310R	L	IO-520-M (TCM)	P5045186-06 P5045186-0619	3AF32C504/82NEA-5.5	76.5	74.0	30			13.9	17.0	81.7	D-3797 D-5215	E,S E,P	ALL S/N's DCF290D7/T3 DCF290D2/T3 DCFU290D13/T3 DCFU290D2/T3 DCFS290D7/T3 DCFUS290D13/T3 DCFUS290D7/T3 S/N 310R0001 - 310R0330 DCFU290D7/T3 DCFS290D2/T3 DCFUS290D2/T3 S/N 310R0501 - 310R1004 DCFUS290D5/T3 S/N 310R1201 AND UP DCFUS290D6/T3 S/N 310R0501 AND UP DCFS290D8/T3 DCFS290D5/T3 DCFS290D4/T3 DCFUS290D12/T3 DCFUS290D8/T3 DCFUS290D7/T3 DCFUS290D4/T3		15

Constant Speed Propeller Applications

Aircraft		Engine		Part Number	Model	Diameter		Ref		Blade Angles			Spinner		Governors	STC Number STC Holder STC Kit P/N	Notes
Model	T Y P E	Model (Make)				Max	Min	Sta	Rev	Low or Flight Idle	Latch or Start Locks	High or Feather	Assembly P/N	T y p e			
310R	L	IO-520-M (TCM)	P5287552-03 P5287552-0319	3AF32C528/82NEA-5.5	76.5	76.0	30		13.9	17.4	81.7	D-5215	E,P	ALL S/N's DCF290D7/T3 DCF290D2/T3 DCFU290D13/T3 DCFU290D2/T3 DCFS290D7/T3 DCFUS290D13/T3 DCFUS290D7/T3 S/N 310R0001 - 310R0330 DCFU290D7/T3 DCFS290D2/T3 DCFUS290D2/T3 S/N 310R0501 - 310R1004 DCFUS290D5/T3 S/N 310R1201 AND UP DCFUS290D6/T3 S/N 310R0501 AND UP DCFS290D8/T3 DCFS290D5/T3 DCFS290D4/T3 DCFUS290D12/T3 DCFUS290D8/T3 DCFUS290D7/T3 DCFUS290D4/T3	SA00880CH McCauley PL60253 PL60257		
310R	L	IO-520-MB (TCM)	OBSOLETE	3AF32C87/82NC-5.5	76.5	74.0	30		13.9	17.3	81.7	D-3797 D-5215	E,S E,P	ALL S/N's DCF290D7/T3 DCF290D2/T3 DCFU290D13/T3 DCFU290D2/T3 DCFS290D7/T3 DCFUS290D13/T3 DCFUS290D7/T3 S/N 310R0001 - 310R0330 DCFU290D7/T3 DCFS290D2/T3 DCFUS290D2/T3 S/N 310R0501 - 310R1004 DCFUS290D5/T3 S/N 310R1201 AND UP DCFUS290D6/T3 S/N 310R0501 AND UP DCFS290D8/T3 DCFS290D5/T3 DCFS290D4/T3 DCFUS290D12/T3 DCFUS290D8/T3 DCFUS290D7/T3 DCFUS290D4/T3		1 15	

Constant Speed Propeller Applications

Aircraft		Engine		Part Number	Model	Diameter		Ref		Blade Angles			Spinner		Governors	STC Number STC Holder STC Kit P/N	Notes
Model	T Y P E	Model (Make)				Max	Min	Sta	Rev	Low or Flight Idle	Latch or Start Locks	High or Feather	Assembly P/N	T y p e			
310R	L	IO-520-MB (TCM)	P5045186-06 P5045186-0619	3AF32C504/82NEA-5.5	76.5	74.0	30		13.9	17.0	81.7	D-3797 D-5215	E,S E,P	ALL S/N's DCF290D7/T3 DCF290D2/T3 DCFU290D13/T3 DCFU290D2/T3 DCFS290D7/T3 DCFUS290D13/T3 DCFUS290D7/T3 S/N 310R0001 - 310R0330 DCFU290D7/T3 DCFS290D2/T3 DCFUS290D2/T3 S/N 310R0501 - 310R1004 DCFUS290D5/T3 S/N 310R1201 AND UP DCFUS290D6/T3 S/N 310R0501 AND UP DCFS290D8/T3 DCFS290D5/T3 DCFS290D4/T3 DCFUS290D12/T3 DCFUS290D8/T3 DCFUS290D7/T3 DCFUS290D4/T3		15	
310R	L	IO-520-MB (TCM)	P5287552-03 P5287552-0319	3AF32C528/82NEA-5.5	76.5	76.0	30		13.9	17.4	81.7	D-5215	E,P	ALL S/N's DCF290D7/T3 DCF290D2/T3 DCFU290D13/T3 DCFU290D2/T3 DCFS290D7/T3 DCFUS290D13/T3 DCFUS290D7/T3 S/N 310R0001 - 310R0330 DCFU290D7/T3 DCFS290D2/T3 DCFUS290D2/T3 S/N 310R0501 - 310R1004 DCFUS290D5/T3 S/N 310R1201 AND UP DCFUS290D6/T3 S/N 310R0501 AND UP DCFS290D8/T3 DCFS290D5/T3 DCFS290D4/T3 DCFUS290D12/T3 DCFUS290D8/T3 DCFUS290D7/T3 DCFUS290D4/T3	SA00880CH McCauley PL60253 PL60257		
310R	L	IO-550-A (TCM)	OBSOLETE	3AF32C87/82NC-5.5	76.5										SA2207SO Colemill		

Constant Speed Propeller Applications

Aircraft		Engine		Part Number	Model	Diameter		Ref		Blade Angles			Spinner		Governors	STC Number STC Holder STC Kit P/N	Notes
Model	Type	Model (Make)	Model (Make)			Max	Min	Sta	Rev	Low or Flight Idle	Latch or Start Locks	High or Feather	Assembly P/N	Type			
310R	L	IO-550-A (TCM)			3AF32C504/82NEA-5.5	76.5										SA2207SO Colemill	
T310P	L	TSIO-520-B (TCM)	OBSOLETE		D2AF34C71/84JF-3	81.0	79.0	30		13.3	17.1	82.7	D-3819	E,S	DCFUS290D13/T3 DCFUS290D7/T3 DCFUS290D2/T3 DCFUS290D1/T3 DCFU290D13/T3 DCFU290D7/T3 DCFU290D2/T3 DCFU290D1/T3 DCFS290D7/T3 DCFS290D2/T3 DCFS290D1/T3 DCF290D7/T3 DCF290D2/T3 DCF290D1/T3		1
T310P	L	TSIO-520-B (TCM)	OBSOLETE		3AF32C87/82NC-4	78.0	74.0	30		13.0	17.3	82.6	D-3797	E,S	DCFUS290D13/T3 DCFUS290D7/T3 DCFUS290D2/T3 DCFUS290D1/T3 DCFU290D13/T3 DCFU290D7/T3 DCFU290D2/T3 DCFU290D1/T3 DCFS290D7/T3 DCFS290D2/T3 DCFS290D1/T3 DCF290D7/T3 DCF290D2/T3 DCF290D1/T3		1 15
T310P	L	TSIO-520-B (TCM)	P5045186-02 P5045186-0219		3AF32C504/82NEA-4	78.0	74.0	30		13.0	16.1	82.6	D-3797	E,S	DCFUS290D13/T3 DCFUS290D7/T3 DCFUS290D2/T3 DCFUS290D1/T3 DCFU290D13/T3 DCFU290D7/T3 DCFU290D2/T3 DCFU290D1/T3 DCFS290D7/T3 DCFS290D2/T3 DCFS290D1/T3 DCF290D7/T3 DCF290D2/T3 DCF290D1/T3		15

Constant Speed Propeller Applications

Aircraft		Engine		Part Number	Model	Diameter		Ref		Blade Angles			Spinner		Governors	STC Number STC Holder STC Kit P/N	Notes
Model	TYPE	Model (Make)	Model (Make)			Max	Min	Sta	Rev	Low or Flight Idle	Latch or Start Locks	High or Feather	Assembly P/N	Type			
T310P	L	TSIO-520-B (TCM)	P5287552-04 P5287552-0419	3AF32C528/82NEA-4	78.0	74.0	30		13.0	17.4	82.6	D-5215	E,P	DCFUS290D13/T3 DCFUS290D7/T3 DCFUS290D2/T3 DCFUS290D1/T3 DCFU290D13/T3 DCFU290D7/T3 DCFU290D2/T3 DCFU290D1/T3 DCFS290D7/T3 DCFS290D2/T3 DCFS290D1/T3 DCF290D7/T3 DCF290D2/T3 DCF290D1/T3	SA00880CH McCauley PL60254 PL60258		
T310P	L	TSIO-520-BB (TCM)	OBSOLETE	D2AF34C71/84JF-3	81.0	79.0	30		13.3	17.1	82.7	D-3819	E,S	DCFUS290D13/T3 DCFUS290D7/T3 DCFUS290D2/T3 DCFUS290D1/T3 DCFU290D13/T3 DCFU290D7/T3 DCFU290D2/T3 DCFU290D1/T3 DCFS290D7/T3 DCFS290D2/T3 DCFS290D1/T3 DCF290D7/T3 DCF290D2/T3 DCF290D1/T3		1	
T310P	L	TSIO-520-BB (TCM)	OBSOLETE	3AF32C87/82NC-4	78.0	74.0	30		13.0	17.3	82.6	D-3797	E,S	DCFUS290D13/T3 DCFUS290D7/T3 DCFUS290D2/T3 DCFUS290D1/T3 DCFU290D13/T3 DCFU290D7/T3 DCFU290D2/T3 DCFU290D1/T3 DCFS290D7/T3 DCFS290D2/T3 DCFS290D1/T3 DCF290D7/T3 DCF290D2/T3 DCF290D1/T3		1 15	

Constant Speed Propeller Applications

Aircraft		Engine		Part Number	Model	Diameter		Ref		Blade Angles			Spinner		Governors	STC Number STC Holder STC Kit P/N	Notes
Model	TYPE	Model (Make)				Max	Min	Sta	Rev	Low or Flight Idle	Latch or Start Locks	High or Feather	Assembly P/N	Type			
T310P	L	TSIO-520-BB (TCM)	P5045186-02 P5045186-0219	3AF32C504/82NEA-4	78.0	74.0	30		13.0	16.1	82.6	D-3797	E,S	DCFUS290D13/T3 DCFUS290D7/T3 DCFUS290D2/T3 DCFUS290D1/T3 DCFU290D13/T3 DCFU290D7/T3 DCFU290D2/T3 DCFU290D1/T3 DCFS290D7/T3 DCFS290D2/T3 DCFS290D1/T3 DCF290D7/T3 DCF290D2/T3 DCF290D1/T3		15	
T310P	L	TSIO-520-BB (TCM)	P5287552-04 P5287552-0419	3AF32C528/82NEA-4	78.0	74.0	30		13.0	17.4	82.6	D-5215	E,P	DCFUS290D13/T3 DCFUS290D7/T3 DCFUS290D2/T3 DCFUS290D1/T3 DCFU290D13/T3 DCFU290D7/T3 DCFU290D2/T3 DCFU290D1/T3 DCFS290D7/T3 DCFS290D2/T3 DCFS290D1/T3 DCF290D7/T3 DCF290D2/T3 DCF290D1/T3	SA00880CH McCaughey PL60254 PL60258		
T310P	L	TSIO-520-E (TCM)	OBSOLETE	3AF32C87/82NC-4	78.0	75.0	30		14.0	17.3	82.6				SA2750SW RAM Aircraft	1 108	
T310P	L	TSIO-520-E (TCM)	P5045186-11	3AF32C504/82NEA-4	78.0	75.0	30		13.9	17.0	82.6				SA2750SW RAM Aircraft	108	
T310P	L	TSIO-520-EB (TCM)	OBSOLETE	3AF32C87/82NC-4	78.0	75.0	30		14.0	17.3	82.6				SA2750SW RAM Aircraft	1 108	
T310P	L	TSIO-520-EB (TCM)	P5045186-11	3AF32C504/82NEA-4	78.0	75.0	30		13.9	17.0	82.6				SA2750SW RAM Aircraft	108	
T310Q	L	TSIO-520-B (TCM)	OBSOLETE	D2AF34C71/84JF-3	81.0	79.0	30		13.3	17.1	82.7	D-3819	E,S	DCFUS290D13/T3 DCFUS290D7/T3 DCFUS290D2/T3 DCFUS290D1/T3 DCFU290D13/T3 DCFU290D7/T3 DCFU290D2/T3 DCFU290D1/T3 DCFS290D7/T3 DCFS290D2/T3 DCFS290D1/T3 DCF290D7/T3 DCF290D2/T3 DCF290D1/T3		1	

Constant Speed Propeller Applications

Aircraft		Engine		Part Number	Model	Diameter		Ref		Blade Angles			Spinner		Governors	STC Number STC Holder STC Kit P/N	Notes
Model	TYPE	Model (Make)	Model (Make)			Max	Min	Sta	Rev	Low or Flight Idle	Latch or Start Locks	High or Feather	Assembly P/N	Type			
T310Q	L	TSIO-520-B (TCM)	OBSOLETE	3AF32C87/82NC-4	78.0	74.0	30		13.0	17.3	82.6	D-3797	E,S	DCFUS290D13/T3 DCFUS290D7/T3 DCFUS290D2/T3 DCFUS290D1/T3 DCFU290D13/T3 DCFU290D7/T3 DCFU290D2/T3 DCFU290D1/T3 DCFS290D7/T3 DCFS290D2/T3 DCFS290D1/T3 DCF290D7/T3 DCF290D2/T3 DCF290D1/T3		15	
T310Q	L	TSIO-520-B (TCM)	P5045186-02 P5045186-0219	3AF32C504/82NEA-4	78.0	74.0	30		13.0	16.1	82.6	D-3797	E,S	DCFUS290D13/T3 DCFUS290D7/T3 DCFUS290D2/T3 DCFUS290D1/T3 DCFU290D13/T3 DCFU290D7/T3 DCFU290D2/T3 DCFU290D1/T3 DCFS290D7/T3 DCFS290D2/T3 DCFS290D1/T3 DCF290D7/T3 DCF290D2/T3 DCF290D1/T3		15	
T310Q	L	TSIO-520-B (TCM)	P5287552-04 P5287552-0419	3AF32C528/82NEA-4	78.0	74.0	30		13.0	17.4	82.6	D-5215	E,P	DCFUS290D13/T3 DCFUS290D7/T3 DCFUS290D2/T3 DCFUS290D1/T3 DCFU290D13/T3 DCFU290D7/T3 DCFU290D2/T3 DCFU290D1/T3 DCFS290D7/T3 DCFS290D2/T3 DCFS290D1/T3 DCF290D7/T3 DCF290D2/T3 DCF290D1/T3	SA00880CH McCauley PL60254 PL60258		

Constant Speed Propeller Applications

Aircraft		Engine		Part Number	Model	Diameter		Ref		Blade Angles			Spinner		Governors	STC Number STC Holder STC Kit P/N	Notes
Model	TYPE	Model (Make)	Model (Make)			Max	Min	Sta	Rev	Low or Flight Idle	Latch or Start Locks	High or Feather	Assembly P/N	Type			
T310Q	L	TSIO-520-BB (TCM)	OBSOLETE	D2AF34C71/84JF-3	81.0	79.0	30		13.3	17.1	82.7	D-3819	E,S	DCFUS290D13/T3 DCFUS290D7/T3 DCFUS290D2/T3 DCFUS290D1/T3 DCFU290D13/T3 DCFU290D7/T3 DCFU290D2/T3 DCFU290D1/T3 DCFS290D7/T3 DCFS290D2/T3 DCFS290D1/T3 DCF290D7/T3 DCF290D2/T3 DCF290D1/T3		1	
T310Q	L	TSIO-520-BB (TCM)	OBSOLETE	3AF32C87/82NC-4	78.0	74.0	30		13.0	17.3	82.6	D-3797	E,S	DCFUS290D13/T3 DCFUS290D7/T3 DCFUS290D2/T3 DCFUS290D1/T3 DCFU290D13/T3 DCFU290D7/T3 DCFU290D2/T3 DCFU290D1/T3 DCFS290D7/T3 DCFS290D2/T3 DCFS290D1/T3 DCF290D7/T3 DCF290D2/T3 DCF290D1/T3		15	
T310Q	L	TSIO-520-BB (TCM)	P5045186-02 P5045186-0219	3AF32C504/82NEA-4	78.0	74.0	30		13.0	16.1	82.6	D-3797	E,S	DCFUS290D13/T3 DCFUS290D7/T3 DCFUS290D2/T3 DCFUS290D1/T3 DCFU290D13/T3 DCFU290D7/T3 DCFU290D2/T3 DCFU290D1/T3 DCFS290D7/T3 DCFS290D2/T3 DCFS290D1/T3 DCF290D7/T3 DCF290D2/T3 DCF290D1/T3		15	

Constant Speed Propeller Applications

Aircraft		Engine		Part Number	Model	Diameter		Ref		Blade Angles			Spinner		Governors	STC Number STC Holder STC Kit P/N	Notes
Model	TYPE	Model (Make)	Model (Make)			Max	Min	Sta	Rev	Low or Flight Idle	Latch or Start Locks	High or Feather	Assembly P/N	Type			
T310Q	L	TSIO-520-BB (TCM)	P5287552-04 P5287552-0419	3AF32C528/82NEA-4	78.0	74.0	30		13.0	17.4	82.6	D-5215	E,P	DCFUS290D13/T3 DCFUS290D7/T3 DCFUS290D2/T3 DCFUS290D1/T3 DCFU290D13/T3 DCFU290D7/T3 DCFU290D2/T3 DCFU290D1/T3 DCFS290D7/T3 DCFS290D2/T3 DCFS290D1/T3 DCF290D7/T3 DCF290D2/T3 DCF290D1/T3 DCF290D7/T3 DCF290D2/T3 DCF290D1/T3	SA00880CH McCauley PL60254 PL60258		
T310Q	L	TSIO-520-E (TCM)	OBSOLETE	3AF32C87/82NC-4	78.0	75.0	30		14.0	17.3	82.6					SA2750SW RAM Aircraft	1 108
T310Q	L	TSIO-520-E (TCM)	P5045186-11	3AF32C504/82NEA-4	78.0	75.0	30		13.9	17.0	82.6					SA2750SW RAM Aircraft	108
T310Q	L	TSIO-520-EB (TCM)	OBSOLETE	3AF32C87/82NC-4	78.0	75.0	30		14.0	17.3	82.6					SA2750SW RAM Aircraft	1 108
T310Q	L	TSIO-520-EB (TCM)	P5045186-11	3AF32C504/82NEA-4	78.0	75.0	30		13.9	17.0	82.6					SA2750SW RAM Aircraft	108
T310R (S/N 310R0001 - 310R1434)	L	TSIO-520-B (TCM)	OBSOLETE	3AF32C87/82NC-4	78.0	74.0	30		13.0	17.3	82.6	D-3797	E,S	ALL S/N'S DCFS290D7/T3 DCFUS290D7/T3 DCFUS290D13/T3 S/N 310R0001 - 310R0330 DCFS290D2/T3 DCFUS290D2/T3 S/N 310R0501 - 310R1004 DCFS290D5/T3 DCFUS290D5/T3 S/N 310R0501 AND UP DCFS290D8/T3 DCFUS290D4/T3 DCFUS290D8/T3 DCFUS290D4/T3 S/N 310R1201 AND UP DCFS290D6/T3 DCFUS290D6/T3		1 15	

Constant Speed Propeller Applications

Aircraft		Engine		Part Number	Model	Diameter		Ref		Blade Angles			Spinner		Governors	STC Number STC Holder STC Kit P/N	Notes
Model	TYPE	Model (Make)	Model (Make)			Max	Min	Sta	Rev	Low or Flight Idle	Latch or Start Locks	High or Feather	Assembly P/N	Type			
T310R (S/N 310R0001 - 310R1434)	L	TSIO-520-B (TCM)	TSIO-520-B (TCM)	P5045186-02 P5045186-0219	3AF32C504/82NEA-4	78.0	74.0	30		13.0	16.1	82.6	D-3797	E,S	ALL S/N'S DCFS290D7/T3 DCFUS290D7/T3 DCFUS290D13/T3 S/N 310R0001 - 310R0330 DCFS290D2/T3 DCFUS290D2/T3 S/N 310R0501 - 310R1004 DCFS290D5/T3 DCFUS290D5/T3 S/N 310R0501 AND UP DCFS290D8/T3 DCFUS290D8/T3 DCFS290D4/T3 DCFUS290D8/T3 DCFUS290D4/T3 S/N 310R1201 AND UP DCFS290D6/T3 DCFUS290D6/T3		15
T310R (S/N 310R0001 - 310R1434)	L	TSIO-520-B (TCM)	TSIO-520-B (TCM)	P5287552-04 P5287552-0419	3AF32C528/82NEA-4	78.0	74.0	30		13.0	17.4	82.6	D-5215	E,P	ALL S/N'S DCFS290D7/T3 DCFUS290D7/T3 DCFUS290D13/T3 S/N 310R0001 - 310R0330 DCFS290D2/T3 DCFUS290D2/T3 S/N 310R0501 - 310R1004 DCFS290D5/T3 DCFUS290D5/T3 S/N 310R0501 AND UP DCFS290D8/T3 DCFUS290D8/T3 DCFS290D4/T3 DCFUS290D8/T3 DCFUS290D4/T3 S/N 310R1201 AND UP DCFS290D6/T3 DCFUS290D6/T3	SA00880CH McCauley PL60254 PL60258	

Constant Speed Propeller Applications

Aircraft		Engine		Part Number	Model	Diameter		Ref		Blade Angles			Spinner		Governors	STC Number STC Holder STC Kit P/N	Notes
Model	TYPE	Model (Make)	Model (Make)			Max	Min	Sta	Rev	Low or Flight Idle	Latch or Start Locks	High or Feather	Assembly P/N	Type			
T310R	L	TSIO-520-BB (TCM)	OBSOLETE	3AF32C87/82NC-4	78.0	74.0	30		13.0	17.3	82.6	D-3797	E,S	ALL S/N'S DCFUS290D7/T3 DCFUS290D7/T3 DCFUS290D13/T3 S/N 310R0001 - 310R0330 DCFUS290D2/T3 DCFUS290D2/T3 S/N 310R0501 - 310R1004 DCFUS290D5/T3 DCFUS290D5/T3 S/N 310R0501 AND UP DCFUS290D8/T3 DCFUS290D4/T3 DCFUS290D8/T3 DCFUS290D4/T3 S/N 310R1201 AND UP DCFUS290D6/T3 DCFUS290D6/T3		1 15	
T310R	L	TSIO-520-BB (TCM)	P5045186-02 P5045186-0219	3AF32C504/82NEA-4	78.0	74.0	30		13.0	16.1	82.6	D-3797	E,S	ALL S/N'S DCFUS290D7/T3 DCFUS290D7/T3 DCFUS290D13/T3 S/N 310R0001 - 310R0330 DCFUS290D2/T3 DCFUS290D2/T3 S/N 310R0501 - 310R1004 DCFUS290D5/T3 DCFUS290D5/T3 S/N 310R0501 AND UP DCFUS290D8/T3 DCFUS290D4/T3 DCFUS290D8/T3 DCFUS290D4/T3 S/N 310R1201 AND UP DCFUS290D6/T3 DCFUS290D6/T3		15	

Constant Speed Propeller Applications

Aircraft		Engine		Model	Diameter		Ref		Blade Angles			Spinner		Governors	STC Number STC Holder STC Kit P/N	Notes
Model	TYPE	Model (Make)	Part Number		Max	Min	Sta	Rev	Low or Flight Idle	Latch or Start Locks	High or Feather	Assembly P/N	Type			
T310R	L	TSIO-520-BB (TCM)	P5287552-04 P5287552-0419	3AF32C528/82NEA-4	78.0	74.0	30		13.0	17.4	82.6	D-5215	E,P	ALL S/N'S DCFS290D7/T3 DCFUS290D7/T3 DCFUS290D13/T3 S/N 310R0001 - 310R0330 DCFS290D2/T3 DCFUS290D2/T3 S/N 310R0501 - 310R1004 DCFUS290D5/T3 DCFUS290D5/T3 S/N 310R0501 AND UP DCFS290D8/T3 DCFS290D4/T3 DCFUS290D8/T3 DCFUS290D4/T3 S/N 310R1201 AND UP DCFS290D6/T3 DCFUS290D6/T3	SA00880CH McCauley PL60254 PL60258	
T310R	L	TSIO-520-E (TCM)	OBSOLETE	3AF32C87/82NC-4	78.0	75.0	30		14.0	17.3	82.6				SA2750SW RAM Aircraft	1 108
T310R	L	TSIO-520-E (TCM)	P5045186-11	3AF32C504/82NEA-4	78.0	75.0	30		13.9	17.0	82.6				SA2750SW RAM Aircraft	108
T310R	L	TSIO-520-EB (TCM)	OBSOLETE	3AF32C87/82NC-4	78.0	75.0	30		14.0	17.3	82.6				SA2750SW RAM Aircraft	1 108
T310R	L	TSIO-520-EB (TCM)	P5045186-11	3AF32C504/82NEA-4	78.0	75.0	30		13.9	17.0	82.6				SA2750SW RAM Aircraft	108
320 "Skyknight"	L	TSIO-470-B (TCM)		Hartzell - See aircraft TCDS										DCFU290D2/T2 DCFU290D1/T2		
320-1 "Skyknight"	L	TSIO-470-B (TCM)		Hartzell - See aircraft TCDS										DCFU290D2/T2 DCFU290D1/T2		
320A	L	TSIO-470-B (TCM)		Hartzell - See aircraft TCDS										DCFU290D2/T2 DCFU290D1/T2		
320B	L	TSIO-470-C (TCM)		Hartzell - See aircraft TCDS										DCFU290D2/T2 DCFU290D1/T2		
320C "Skyknight"	L	TSIO-470-D (TCM)	OBSOLETE	D2AF34C54/84HF-3	81.0	78.0	30		14.0	17.1	82.7			DCFU290D2/T2 DCFU290D1/T2		1
320D "Skyknight"	L	TSIO-520-B (TCM)	OBSOLETE	D2AF34C71/84JF-3	81.0	79.0	30		13.3	17.1	82.7					1
320D "Skyknight"	L	TSIO-520-B (TCM)	OBSOLETE	3AF32C72/82N-4	78.0	74.0	30		12.7	16.3	82.3	D-3538	E,S			1
320D "Skyknight"	L	TSIO-520-B (TCM)	OBSOLETE	3AF32C87/82NC-4	78.0	74.0	30		13.0	17.3	82.6	D-3538	E,S			1
320D "Skyknight"	L	TSIO-520-B (TCM)	P5045186-02 P5045186-0219	3AF32C504/82NEA-4	78.0	74.0	30		13.0	16.1	82.6	D-3538	E,S			
320D "Skyknight"	L	TSIO-520-BB (TCM)	OBSOLETE	D2AF34C71/84JF-3	81.0	79.0	30		13.3	17.1	82.7					1
320D "Skyknight"	L	TSIO-520-BB (TCM)	OBSOLETE	3AF32C72/82N-4	78.0	74.0	30		12.7	16.3	82.3	D-3538	E,S			1
320D "Skyknight"	L	TSIO-520-BB (TCM)	OBSOLETE	3AF32C87/82NC-4	78.0	74.0	30		13.0	17.3	82.6	D-3538	E,S			1
320D "Skyknight"	L	TSIO-520-BB (TCM)	P5045186-02 P5045186-0219	3AF32C504/82NEA-4	78.0	74.0	30		13.0	16.1	82.6	D-3538	E,S			

Constant Speed Propeller Applications

Aircraft		Engine			Diameter		Ref		Blade Angles			Spinner		Governors	STC Number STC Holder STC Kit P/N	Notes
Model	T Y P E	Model (Make)	Part Number	Model	Max	Min	Sta	Rev	Low or Flight Idle	Latch or Start Locks	High or Feather	Assembly P/N	T y p e			
320D "Skyknight"	L	TSIO-520-E (TCM)	OBSOLETE	3AF32C87/82NC-4	78.0	75.0	30		14.0	17.3	82.6				SA2750SW RAM Aircraft	1 108
320D "Skyknight"	L	TSIO-520-E (TCM)	P5045186-11	3AF32C504/82NEA-4	78.0	75.0	30		13.9	17.0	82.6				SA2750SW RAM Aircraft	108
320D "Skyknight"	L	TSIO-520-EB (TCM)	OBSOLETE	3AF32C87/82NC-4	78.0	75.0	30		14.0	17.3	82.6				SA2750SW RAM Aircraft	1 108
320D "Skyknight"	L	TSIO-520-EB (TCM)	P5045186-11	3AF32C504/82NEA-4	78.0	75.0	30		13.9	17.0	82.6				SA2750SW RAM Aircraft	108
320E "Executive Skyknight"	L	TSIO-520-B (TCM)	OBSOLETE	D2AF34C71/84JF-3	81.0	79.0	30		13.3	17.1	82.7					1
320E "Executive Skyknight"	L	TSIO-520-B (TCM)	OBSOLETE	3AF32C87/82NC-4	78.0	74.0	30		13.0	17.3	82.6	D-3538	E,S			1
320E "Executive Skyknight"	L	TSIO-520-B (TCM)	P5045186-02 P5045186-0219	3AF32C504/82NEA-4	78.0	74.0	30		13.0	16.1	82.6	D-3538	E,S			
320E "Executive Skyknight"	L	TSIO-520-BB (TCM)	OBSOLETE	D2AF34C71/84JF-3	81.0	79.0	30		13.3	17.1	82.7					1
320E "Executive Skyknight"	L	TSIO-520-BB (TCM)	OBSOLETE	3AF32C87/82NC-4	78.0	74.0	30		13.0	17.3	82.6	D-3538	E,S			1
320E "Executive Skyknight"	L	TSIO-520-BB (TCM)	P5045186-02 P5045186-0219	3AF32C504/82NEA-4	78.0	74.0	30		13.0	16.1	82.6	D-3538	E,S			
320E "Executive Skyknight"	L	TSIO-520-E (TCM)	OBSOLETE	3AF32C87/82NC-4	78.0	75.0	30		14.0	17.3	82.6				SA2750SW RAM Aircraft	1 108
320E "Executive Skyknight"	L	TSIO-520-E (TCM)	P5045186-11	3AF32C504/82NEA-4	78.0	75.0	30		13.9	17.0	82.6				SA2750SW RAM Aircraft	108
320E "Executive Skyknight"	L	TSIO-520-EB (TCM)	OBSOLETE	3AF32C87/82NC-4	78.0	75.0	30		14.0	17.3	82.6				SA2750SW RAM Aircraft	1 108
320E "Executive Skyknight"	L	TSIO-520-EB (TCM)	P5045186-11	3AF32C504/82NEA-4	78.0	75.0	30		13.9	17.0	82.6				SA2750SW RAM Aircraft	108
320F "Executive Skyknight"	L	TSIO-520-B (TCM)	OBSOLETE	D2AF34C71/84JF-3	81.0	79.0	30		13.3	17.1	82.7					1
320F "Executive Skyknight"	L	TSIO-520-B (TCM)	OBSOLETE	3AF32C87/82NC-4	78.0	74.0	30		13.0	17.3	82.6	D-3538	E,S			1
320F "Executive Skyknight"	L	TSIO-520-B (TCM)	P5045186-02 P5045186-0219	3AF32C504/82NEA-4	78.0	74.0	30		13.0	16.1	82.6	D-3538	E,S			
320F "Executive Skyknight"	L	TSIO-520-BB (TCM)	OBSOLETE	D2AF34C71/84JF-3	81.0	79.0	30		13.3	17.1	82.7					1
320F "Executive Skyknight"	L	TSIO-520-BB (TCM)	OBSOLETE	3AF32C87/82NC-4	78.0	74.0	30		13.0	17.3	82.6	D-3538	E,S			1
320F "Executive Skyknight"	L	TSIO-520-BB (TCM)	P5045186-02 P5045186-0219	3AF32C504/82NEA-4	78.0	74.0	30		13.0	16.1	82.6	D-3538	E,S			
320F "Executive Skyknight"	L	TSIO-520-E (TCM)	OBSOLETE	3AF32C87/82NC-4	78.0	75.0	30		14.0	17.3	82.6				SA2750SW RAM Aircraft	1 108
320F "Executive Skyknight"	L	TSIO-520-E (TCM)	P5045186-11	3AF32C504/82NEA-4	78.0	75.0	30		13.9	17.0	82.6				SA2750SW RAM Aircraft	108
320F "Executive Skyknight"	L	TSIO-520-EB (TCM)	OBSOLETE	3AF32C87/82NC-4	78.0	75.0	30		14.0	17.3	82.6				SA2750SW RAM Aircraft	1 108
320F "Executive Skyknight"	L	TSIO-520-EB (TCM)	P5045186-11	3AF32C504/82NEA-4	78.0	75.0	30		13.9	17.0	82.6				SA2750SW RAM Aircraft	108
321 "NAVY OE-2"	L	O-470-2 (TCM)	OBSOLETE	2A36C1-T/90M-0	90.0	88.0	36		9.5		23.0					1

Constant Speed Propeller Applications

Aircraft		Engine		Part Number	Model	Diameter		Ref		Blade Angles			Spinner		Governors	STC Number STC Holder STC Kit P/N	Notes
Model	TYPE	Model (Make)	Model (Make)			Max	Min	Sta	Rev	Low or Flight Idle	Latch or Start Locks	High or Feather	Assembly P/N	Type			
335	L	TSIO-520-EB (TCM)	OBSOLETE	3AF32C87/82NC-5.5	76.5	75.0	30		14.2	17.3	81.2	D-3797	E,S	DCFS290D8/T3 DCFS290D7/T3 DCFUS290D13/T3 DCFUS290D12/T3 DCFUS290D8/T3 DCFUS290D7/T3		1	
335	L	TSIO-520-EB (TCM)	P5045186-03 P5045186-0319	3AF32C504/82NEA-5.5	76.5	75.0	30		14.2	17.3	81.2	D-3797	E,S	DCFS290D8/T3 DCFS290D7/T3 DCFUS290D13/T3 DCFUS290D12/T3 DCFUS290D8/T3 DCFUS290D7/T3			
336 (front) "Skymaster"	L	IO-360-A (TCM)	OBSOLETE	D2AF34C46/76C-0	76.0	74.5	30		11.7	15.0	79.0					1 58	
336 (front) "Skymaster"	L	IO-360-A (TCM)	OBSOLETE	D2AF34C60/76C-0	76.0	74.5	30		11.7	15.0	79.0					1	
336 (rear) "Skymaster"	L	IO-360-A (TCM)	OBSOLETE	D2AF34C56/L76C-0	76.0	74.5	30		10.8	16.0	79.0					1 58	
336 (rear) "Skymaster"	L	IO-360-A (TCM)	OBSOLETE	D2AF34C61/L76C-0	76.0	74.5	30		10.8	16.0	79.0					1	
337 (front) "Super Skymaster"	L	IO-360-C (TCM)	OBSOLETE	D2AF34C59/76C-0	76.0	74.5	30		11.7	15.0	79.0			DCFUS310D13/T5 DCFUS310D7/T5 CFUS310D2/T5 DCFU310D13/T5 DCFU310D7/T5 CFU310D2/T5 DCFS310D7/T5 DCFS310D4/T5 CFS310D2/T5 DCF310D7/T1 CF310D2/T1 CF310D1/T1		1	
337 (front) "Super Skymaster"	L	IO-360-C (TCM)	OBSOLETE	D2AF34C301/76CTA-0	76.0	75.0	30		11.7	14.7	79.0			DCFUS310D13/T5 DCFUS310D7/T5 CFUS310D2/T5 DCFU310D13/T5 DCFU310D7/T5 CFU310D2/T5 DCFS310D7/T5 DCFS310D4/T5 CFS310D2/T5 DCF310D7/T1 CF310D2/T1 CF310D1/T1		1	

Constant Speed Propeller Applications

Aircraft		Engine		Part Number	Model	Diameter		Ref		Blade Angles			Spinner		Governors	STC Number STC Holder STC Kit P/N	Notes
Model	TYPE	Model (Make)	Model (Make)			Max	Min	Sta	Rev	Low or Flight Idle	Latch or Start Locks	High or Feather	Assembly P/N	Type			
337 (front) "Super Skymaster"	L	IO-360-C (TCM)	P3064229-11	D2AF34C306/78CAA-0	78.0	76.5	30		11.0	15.8	82.0			DCFUS310D13/T5 DCFUS310D7/T5 CFUS310D2/T5 DCFU310D13/T5 DCFU310D7/T5 CFU310D2/T5 DCFS310D7/T5 DCFS310D4/T5 CFS310D2/T5 DCF310D7/T1 CF310D2/T1 CF310D1/T1			
337 (front) "Super Skymaster"	L	IO-360-CB (TCM)	OBSOLETE	D2AF34C59/76C-0	76.0	74.5	30		11.7	15.0	79.0			DCFUS310D13/T5 DCFUS310D7/T5 CFUS310D2/T5 DCFU310D13/T5 DCFU310D7/T5 CFU310D2/T5 DCFS310D7/T5 DCFS310D4/T5 CFS310D2/T5 DCF310D7/T1 CF310D2/T1 CF310D1/T1		1	
337 (front) "Super Skymaster"	L	IO-360-CB (TCM)	OBSOLETE	D2AF34C301/76CTA-0	76.0	75.0	30		11.7	14.7	79.0			DCFUS310D13/T5 DCFUS310D7/T5 CFUS310D2/T5 DCFU310D13/T5 DCFU310D7/T5 CFU310D2/T5 DCFS310D7/T5 DCFS310D4/T5 CFS310D2/T5 DCF310D7/T1 CF310D2/T1 CF310D1/T1		1	
337 (front) "Super Skymaster"	L	IO-360-CB (TCM)	P3064229-11	D2AF34C306/78CAA-0	78.0	76.5	30		11.0	15.8	82.0			DCFUS310D13/T5 DCFUS310D7/T5 CFUS310D2/T5 DCFU310D13/T5 DCFU310D7/T5 CFU310D2/T5 DCFS310D7/T5 DCFS310D4/T5 CFS310D2/T5 DCF310D7/T1 CF310D2/T1 CF310D1/T1			

Constant Speed Propeller Applications

Aircraft		Engine		Part Number	Model	Diameter		Ref		Blade Angles			Spinner		Governors	STC Number STC Holder STC Kit P/N	Notes
Model	TYPE	Model (Make)	Model (Make)			Max	Min	Sta	Rev	Low or Flight Idle	Latch or Start Locks	High or Feather	Assembly P/N	Type			
337 (front) "Super Skymaster"	L	IO-360-G (TCM)	OBSOLETE	D2AF34C59/76C-0	76.0	74.5	30		11.7	15.0	79.0			DCFUS310D13/T5 DCFUS310D7/T5 CFUS310D2/T5 DCFU310D13/T5 DCFU310D7/T5 CFU310D2/T5 DCFS310D7/T5 DCFS310D4/T5 CFS310D2/T5 DCF310D7/T1 CF310D2/T1 CF310D1/T1		1	
337 (front) "Super Skymaster"	L	IO-360-G (TCM)	OBSOLETE	D2AF34C301/76CTA-0	76.0	75.0	30		11.7	14.7	79.0			DCFUS310D13/T5 DCFUS310D7/T5 CFUS310D2/T5 DCFU310D13/T5 DCFU310D7/T5 CFU310D2/T5 DCFS310D7/T5 DCFS310D4/T5 CFS310D2/T5 DCF310D7/T1 CF310D2/T1 CF310D1/T1		1	
337 (front) "Super Skymaster"	L	IO-360-G (TCM)	P3064229-11	D2AF34C306/78CAA-0	78.0	76.5	30		11.0	15.8	82.0			DCFUS310D13/T5 DCFUS310D7/T5 CFUS310D2/T5 DCFU310D13/T5 DCFU310D7/T5 CFU310D2/T5 DCFS310D7/T5 DCFS310D4/T5 CFS310D2/T5 DCF310D7/T1 CF310D2/T1 CF310D1/T1			
337 (front) "Super Skymaster"	L	IO-360-GB (TCM)	OBSOLETE	D2AF34C59/76C-0	76.0	74.5	30		11.7	15.0	79.0			DCFUS310D13/T5 DCFUS310D7/T5 CFUS310D2/T5 DCFU310D13/T5 DCFU310D7/T5 CFU310D2/T5 DCFS310D7/T5 DCFS310D4/T5 CFS310D2/T5 DCF310D7/T1 CF310D2/T1 CF310D1/T1		1	

Constant Speed Propeller Applications

Aircraft		Engine		Part Number	Model	Diameter		Ref		Blade Angles			Spinner		Governors	STC Number STC Holder STC Kit P/N	Notes
Model	TYPE	Model (Make)	Model			Max	Min	Sta	Rev	Low or Flight Idle	Latch or Start Locks	High or Feather	Assembly P/N	Type			
337 (front) "Super Skymaster"	L	IO-360-GB (TCM)	OBSOLETE	D2AF34C301/76CTA-0	76.0	75.0	30			11.7	14.7	79.0			DCFUS310D13/T5 DCFUS310D7/T5 CFUS310D2/T5 DCFU310D13/T5 DCFU310D7/T5 CFU310D2/T5 DCFS310D7/T5 DCFS310D4/T5 CFS310D2/T5 DCF310D7/T1 CF310D2/T1 CF310D1/T1		1
337 (front) "Super Skymaster"	L	IO-360-GB (TCM)	P3064229-11	D2AF34C306/78CAA-0	78.0	76.5	30			11.0	15.8	82.0			DCFUS310D13/T5 DCFUS310D7/T5 CFUS310D2/T5 DCFU310D13/T5 DCFU310D7/T5 CFU310D2/T5 DCFS310D7/T5 DCFS310D4/T5 CFS310D2/T5 DCF310D7/T1 CF310D2/T1 CF310D1/T1		
337 (rear) "Super Skymaster"	L	IO-360-C (TCM)	OBSOLETE	D2AF34C61/L76C-0	76.0	74.5	30			10.8	16.0	79.0			CF310D2/T1 CF310D1/T1		1
337 (rear) "Super Skymaster"	L	IO-360-C (TCM)	P3024231-01	D2AF34C302/L76CTA-0	76.0	75.0	30			10.8	14.8	79.0			CF310D2/T1 CF310D1/T1		
337 (rear) "Super Skymaster"	L	IO-360-C (TCM)	P3074231-21	D2AF34C307/L78CBA-2	76.0	74.5	30			11.0	15.8	80.0			CF310D2/T1 CF310D1/T1		
337 (rear) "Super Skymaster"	L	IO-360-CB (TCM)	OBSOLETE	D2AF34C61/L76C-0	76.0	74.5	30			10.8	16.0	79.0			CF310D2/T1 CF310D1/T1		1
337 (rear) "Super Skymaster"	L	IO-360-CB (TCM)	P3024231-01	D2AF34C302/L76CTA-0	76.0	75.0	30			10.8	14.8	79.0			CF310D2/T1 CF310D1/T1		
337 (rear) "Super Skymaster"	L	IO-360-CB (TCM)	P3074231-21	D2AF34C307/L78CBA-2	76.0	74.5	30			11.0	15.8	80.0			CF310D2/T1 CF310D1/T1		
337 (rear) "Super Skymaster"	L	IO-360-D (TCM)	OBSOLETE	D2AF34C61/L76C-0	76.0	74.5	30			10.8	16.0	79.0			CF310D2/T1 CF310D1/T1		1
337 (rear) "Super Skymaster"	L	IO-360-D (TCM)	P3024231-01	D2AF34C302/L76CTA-0	76.0	75.0	30			10.8	14.8	79.0			CF310D2/T1 CF310D1/T1		
337 (rear) "Super Skymaster"	L	IO-360-D (TCM)	P3074231-21	D2AF34C307/L78CBA-2	76.0	74.5	30			11.0	15.8	80.0			CF310D2/T1 CF310D1/T1		
337 (rear) "Super Skymaster"	L	IO-360-DB (TCM)	OBSOLETE	D2AF34C61/L76C-0	76.0	74.5	30			10.8	16.0	79.0			CF310D2/T1 CF310D1/T1		1
337 (rear) "Super Skymaster"	L	IO-360-DB (TCM)	P3024231-01	D2AF34C302/L76CTA-0	76.0	75.0	30			10.8	14.8	79.0			CF310D2/T1 CF310D1/T1		
337 (rear) "Super Skymaster"	L	IO-360-DB (TCM)	P3074231-21	D2AF34C307/L78CBA-2	76.0	74.5	30			11.0	15.8	80.0			CF310D2/T1 CF310D1/T1		
337 (rear) "Super Skymaster"	L	IO-360-G (TCM)	OBSOLETE	D2AF34C61/L76C-0	76.0	74.5	30			10.8	16.0	79.0			CF310D2/T1 CF310D1/T1		1
337 (rear) "Super Skymaster"	L	IO-360-G (TCM)	P3024231-01	D2AF34C302/L76CTA-0	76.0	75.0	30			10.8	14.8	79.0			CF310D2/T1 CF310D1/T1		

Constant Speed Propeller Applications

Aircraft		Engine			Diameter		Ref		Blade Angles			Spinner		Governors	STC Number STC Holder STC Kit P/N	Notes
Model	TYPE	Model (Make)	Part Number	Model	Max	Min	Sta	Rev	Low or Flight Idle	Latch or Start Locks	High or Feather	Assembly P/N	Type			
337 (rear) "Super Skymaster"	L	IO-360-G (TCM)	P3074231-21	D2AF34C307/L78CBA-2	76.0	74.5	30		11.0	15.8	80.0			CF310D2/T1 CF310D1/T1		
337 (rear) "Super Skymaster"	L	IO-360-GB (TCM)	OBSOLETE	D2AF34C61/L76C-0	76.0	74.5	30		10.8	16.0	79.0			CF310D2/T1 CF310D1/T1		1
337 (rear) "Super Skymaster"	L	IO-360-GB (TCM)	P3024231-01	D2AF34C302/L76CTA-0	76.0	75.0	30		10.8	14.8	79.0			CF310D2/T1 CF310D1/T1		
337 (rear) "Super Skymaster"	L	IO-360-GB (TCM)	P3074231-21	D2AF34C307/L78CBA-2	76.0	74.5	30		11.0	15.8	80.0			CF310D2/T1 CF310D1/T1		
337A (front) "Super Skymaster, USAF O2B"	L	IO-360-C (TCM)	OBSOLETE	D2AF34C59/76C-0	76.0	74.5	30		11.7	15.0	79.0			DCFUS310D13/T5 DCFUS310D7/T5 CFUS310D2/T5 DCFU310D13/T5 DCFU310D7/T5 CFU310D2/T5 DCFS310D7/T5 DCFS310D4/T5 CFS310D2/T5 DCF310D7/T1 CF310D2/T1 CF310D1/T1		1
337A (front) "Super Skymaster, USAF O2B"	L	IO-360-C (TCM)	OBSOLETE	D2AF34C301/76CTA-0	76.0	75.0	30		11.7	14.7	79.0			DCFUS310D13/T5 DCFUS310D7/T5 CFUS310D2/T5 DCFU310D13/T5 DCFU310D7/T5 CFU310D2/T5 DCFS310D7/T5 DCFS310D4/T5 CFS310D2/T5 DCF310D7/T1 CF310D2/T1 CF310D1/T1		1
337A (front) "Super Skymaster, USAF O2B"	L	IO-360-C (TCM)	P3064229-11	D2AF34C306/78CAA-0	78.0	76.5	30		11.0	15.8	82.0			DCFUS310D13/T5 DCFUS310D7/T5 CFUS310D2/T5 DCFU310D13/T5 DCFU310D7/T5 CFU310D2/T5 DCFS310D7/T5 DCFS310D4/T5 CFS310D2/T5 DCF310D7/T1 CF310D2/T1 CF310D1/T1		

Constant Speed Propeller Applications

Aircraft		Engine		Part Number	Model	Diameter		Ref		Blade Angles			Spinner		Governors	STC Number STC Holder STC Kit P/N	Notes
Model	TYPE	Model (Make)	Model (Make)			Max	Min	Sta	Rev	Low or Flight Idle	Latch or Start Locks	High or Feather	Assembly P/N	Type			
337A (front) "Super Skymaster, USAF O2B"	L	IO-360-CB (TCM)	OBSOLETE	D2AF34C59/76C-0	76.0	74.5	30		11.7	15.0	79.0			DCFUS310D13/T5 DCFUS310D7/T5 CFUS310D2/T5 DCFU310D13/T5 DCFU310D7/T5 CFU310D2/T5 DCFS310D7/T5 DCFS310D4/T5 CFS310D2/T5 DCF310D7/T1 CF310D2/T1 CF310D1/T1		1	
337A (front) "Super Skymaster, USAF O2B"	L	IO-360-CB (TCM)	OBSOLETE	D2AF34C301/76CTA-0	76.0	75.0	30		11.7	14.7	79.0			DCFUS310D13/T5 DCFUS310D7/T5 CFUS310D2/T5 DCFU310D13/T5 DCFU310D7/T5 CFU310D2/T5 DCFS310D7/T5 DCFS310D4/T5 CFS310D2/T5 DCF310D7/T1 CF310D2/T1 CF310D1/T1		1	
337A (front) "Super Skymaster, USAF O2B"	L	IO-360-CB (TCM)	P3064229-11	D2AF34C306/78CAA-0	78.0	76.5	30		11.0	15.8	82.0			DCFUS310D13/T5 DCFUS310D7/T5 CFUS310D2/T5 DCFU310D13/T5 DCFU310D7/T5 CFU310D2/T5 DCFS310D7/T5 DCFS310D4/T5 CFS310D2/T5 DCF310D7/T1 CF310D2/T1 CF310D1/T1			
337A (front) "Super Skymaster, USAF O2B"	L	IO-360-G (TCM)	OBSOLETE	D2AF34C59/76C-0	76.0	74.5	30		11.7	15.0	79.0			DCFUS310D13/T5 DCFUS310D7/T5 CFUS310D2/T5 DCFU310D13/T5 DCFU310D7/T5 CFU310D2/T5 DCFS310D7/T5 DCFS310D4/T5 CFS310D2/T5 DCF310D7/T1 CF310D2/T1 CF310D1/T1		1	

Constant Speed Propeller Applications

Aircraft		Engine		Part Number	Model	Diameter		Ref		Blade Angles			Spinner		Governors	STC Number STC Holder STC Kit P/N	Notes
Model	TYPE	Model (Make)	Model (Make)			Max	Min	Sta	Rev	Low or Flight Idle	Latch or Start Locks	High or Feather	Assembly P/N	Type			
337A (front) "Super Skymaster, USAF O2B"	L	IO-360-G (TCM)	OBSOLETE	D2AF34C301/76CTA-0	76.0	75.0	30			11.7	14.7	79.0		DCFUS310D13/T5 DCFUS310D7/T5 CFUS310D2/T5 DCFU310D13/T5 DCFU310D7/T5 CFU310D2/T5 DCFS310D7/T5 DCFS310D4/T5 CFS310D2/T5 DCF310D7/T1 CF310D2/T1 CF310D1/T1		1	
337A (front) "Super Skymaster, USAF O2B"	L	IO-360-G (TCM)	P3064229-11	D2AF34C306/78CAA-0	78.0	76.5	30			11.0	15.8	82.0		DCFUS310D13/T5 DCFUS310D7/T5 CFUS310D2/T5 DCFU310D13/T5 DCFU310D7/T5 CFU310D2/T5 DCFS310D7/T5 DCFS310D4/T5 CFS310D2/T5 DCF310D7/T1 CF310D2/T1 CF310D1/T1			
337A (front) "Super Skymaster, USAF O2B"	L	IO-360-GB (TCM)	OBSOLETE	D2AF34C59/76C-0	76.0	74.5	30			11.7	15.0	79.0		DCFUS310D13/T5 DCFUS310D7/T5 CFUS310D2/T5 DCFU310D13/T5 DCFU310D7/T5 CFU310D2/T5 DCFS310D7/T5 DCFS310D4/T5 CFS310D2/T5 DCF310D7/T1 CF310D2/T1 CF310D1/T1		1	
337A (front) "Super Skymaster, USAF O2B"	L	IO-360-GB (TCM)	OBSOLETE	D2AF34C301/76CTA-0	76.0	75.0	30			11.7	14.7	79.0		DCFUS310D13/T5 DCFUS310D7/T5 CFUS310D2/T5 DCFU310D13/T5 DCFU310D7/T5 CFU310D2/T5 DCFS310D7/T5 DCFS310D4/T5 CFS310D2/T5 DCF310D7/T1 CF310D2/T1 CF310D1/T1		1	

Constant Speed Propeller Applications

Aircraft		Engine		Part Number	Model	Diameter		Ref		Blade Angles			Spinner		Governors	STC Number STC Holder STC Kit P/N	Notes
Model	TYPE	Model (Make)	Model			Max	Min	Sta	Rev	Low or Flight Idle	Latch or Start Locks	High or Feather	Assembly P/N	Type			
337A (front) "Super Skymaster, USAF O2B"	L	IO-360-GB (TCM)	P3064229-11	D2AF34C306/78CAA-0	78.0	76.5	30			11.0	15.8	82.0			DCFUS310D13/T5 DCFUS310D7/T5 CFUS310D2/T5 DCFU310D13/T5 DCFU310D7/T5 CFU310D2/T5 DCFS310D7/T5 DCFS310D4/T5 CFS310D2/T5 DCF310D7/T1 CF310D2/T1 CF310D1/T1		
337A (rear) "Super Skymaster, USAF O2B"	L	IO-360-C (TCM)	OBSOLETE	D2AF34C61/L76C-0	76.0	74.5	30		10.8	16.0	79.0			CF310D2/T1 CF310D1/T1		1	
337A (rear) "Super Skymaster, USAF O2B"	L	IO-360-C (TCM)	P3024231-01	D2AF34C302/L76CTA-0	76.0	75.0	30		10.8	14.8	79.0			CF310D2/T1 CF310D1/T1			
337A (rear) "Super Skymaster, USAF O2B"	L	IO-360-C (TCM)	P3074231-21	D2AF34C307/L78CBA-2	76.0	74.5	30		11.0	15.8	80.0			CF310D2/T1 CF310D1/T1			
337A (rear) "Super Skymaster, USAF O2B"	L	IO-360-CB (TCM)	OBSOLETE	D2AF34C61/L76C-0	76.0	74.5	30		10.8	16.0	79.0			CF310D2/T1 CF310D1/T1		1	
337A (rear) "Super Skymaster, USAF O2B"	L	IO-360-CB (TCM)	P3024231-01	D2AF34C302/L76CTA-0	76.0	75.0	30		10.8	14.8	79.0			CF310D2/T1 CF310D1/T1			
337A (rear) "Super Skymaster, USAF O2B"	L	IO-360-CB (TCM)	P3074231-21	D2AF34C307/L78CBA-2	76.0	74.5	30		11.0	15.8	80.0			CF310D2/T1 CF310D1/T1			
337A (rear) "Super Skymaster, USAF O2B"	L	IO-360-D (TCM)	OBSOLETE	D2AF34C61/L76C-0	76.0	74.5	30		10.8	16.0	79.0			CF310D2/T1 CF310D1/T1		1	
337A (rear) "Super Skymaster, USAF O2B"	L	IO-360-D (TCM)	P3024231-01	D2AF34C302/L76CTA-0	76.0	75.0	30		10.8	14.8	79.0			CF310D2/T1 CF310D1/T1			
337A (rear) "Super Skymaster, USAF O2B"	L	IO-360-D (TCM)	P3074231-21	D2AF34C307/L78CBA-2	76.0	74.5	30		11.0	15.8	80.0			CF310D2/T1 CF310D1/T1			
337A (rear) "Super Skymaster, USAF O2B"	L	IO-360-DB (TCM)	OBSOLETE	D2AF34C61/L76C-0	76.0	74.5	30		10.8	16.0	79.0			CF310D2/T1 CF310D1/T1		1	
337A (rear) "Super Skymaster, USAF O2B"	L	IO-360-DB (TCM)	P3024231-01	D2AF34C302/L76CTA-0	76.0	75.0	30		10.8	14.8	79.0			CF310D2/T1 CF310D1/T1			
337A (rear) "Super Skymaster, USAF O2B"	L	IO-360-DB (TCM)	P3074231-21	D2AF34C307/L78CBA-2	76.0	74.5	30		11.0	15.8	80.0			CF310D2/T1 CF310D1/T1			
337A (rear) "Super Skymaster, USAF O2B"	L	IO-360-G (TCM)	OBSOLETE	D2AF34C61/L76C-0	76.0	74.5	30		10.8	16.0	79.0			CF310D2/T1 CF310D1/T1		1	
337A (rear) "Super Skymaster, USAF O2B"	L	IO-360-G (TCM)	P3024231-01	D2AF34C302/L76CTA-0	76.0	75.0	30		10.8	14.8	79.0			CF310D2/T1 CF310D1/T1			
337A (rear) "Super Skymaster, USAF O2B"	L	IO-360-G (TCM)	P3074231-21	D2AF34C307/L78CBA-2	76.0	74.5	30		11.0	15.8	80.0			CF310D2/T1 CF310D1/T1			
337A (rear) "Super Skymaster, USAF O2B"	L	IO-360-GB (TCM)	OBSOLETE	D2AF34C61/L76C-0	76.0	74.5	30		10.8	16.0	79.0			CF310D2/T1 CF310D1/T1		1	
337A (rear) "Super Skymaster, USAF O2B"	L	IO-360-GB (TCM)	P3024231-01	D2AF34C302/L76CTA-0	76.0	75.0	30		10.8	14.8	79.0			CF310D2/T1 CF310D1/T1			
337A (rear) "Super Skymaster, USAF O2B"	L	IO-360-GB (TCM)	P3074231-21	D2AF34C307/L78CBA-2	76.0	74.5	30		11.0	15.8	80.0			CF310D2/T1 CF310D1/T1			

Constant Speed Propeller Applications

Aircraft		Engine		Part Number	Model	Diameter		Ref		Blade Angles			Spinner		Governors	STC Number STC Holder STC Kit P/N	Notes
Model	TYPE	Model (Make)	Model			Max	Min	Sta	Rev	Low or Flight Idle	Latch or Start Locks	High or Feather	Assembly P/N	Type			
337B (front) "Super Skymaster"	L	IO-360-C (TCM)	OBSOLETE	D2AF34C59/76C-0	76.0	74.5	30		11.7	15.0	79.0		DCFUS310D13/T5 DCFUS310D7/T5 CFUS310D2/T5 DCFU310D13/T5 DCFU310D7/T5 CFU310D2/T5 DCFS310D7/T5 DCFS310D4/T5 CFS310D2/T5 DCF310D7/T1 CF310D2/T1 CF310D1/T1		1		
337B (front) "Super Skymaster"	L	IO-360-C (TCM)	OBSOLETE	D2AF34C301/76CTA-0	76.0	75.0	30		11.7	14.7	79.0		DCFUS310D13/T5 DCFUS310D7/T5 CFUS310D2/T5 DCFU310D13/T5 DCFU310D7/T5 CFU310D2/T5 DCFS310D7/T5 DCFS310D4/T5 CFS310D2/T5 DCF310D7/T1 CF310D2/T1 CF310D1/T1		1		
337B (front) "Super Skymaster"	L	IO-360-C (TCM)	P3064229-11	D2AF34C306/78CAA-0	78.0	76.5	30		11.0	15.8	82.0		DCFUS310D13/T5 DCFUS310D7/T5 CFUS310D2/T5 DCFU310D13/T5 DCFU310D7/T5 CFU310D2/T5 DCFS310D7/T5 DCFS310D4/T5 CFS310D2/T5 DCF310D7/T1 CF310D2/T1 CF310D1/T1				
337B (front) "Super Skymaster"	L	IO-360-CB (TCM)	OBSOLETE	D2AF34C59/76C-0	76.0	74.5	30		11.7	15.0	79.0		DCFUS310D13/T5 DCFUS310D7/T5 CFUS310D2/T5 DCFU310D13/T5 DCFU310D7/T5 CFU310D2/T5 DCFS310D7/T5 DCFS310D4/T5 CFS310D2/T5 DCF310D7/T1 CF310D2/T1 CF310D1/T1		1		

Constant Speed Propeller Applications

Aircraft		Engine		Part Number	Model	Diameter		Ref		Blade Angles			Spinner		Governors	STC Number STC Holder STC Kit P/N	Notes
Model	TYPE	Model (Make)	Model			Max	Min	Sta	Rev	Low or Flight Idle	Latch or Start Locks	High or Feather	Assembly P/N	Type			
337B (front) "Super Skymaster"	L	IO-360-CB (TCM)	OBSOLETE	D2AF34C301/76CTA-0	76.0	75.0	30			11.7	14.7	79.0		DCFUS310D13/T5 DCFUS310D7/T5 CFUS310D2/T5 DCFU310D13/T5 DCFU310D7/T5 CFU310D2/T5 DCFS310D7/T5 DCFS310D4/T5 CFS310D2/T5 DCF310D7/T1 CF310D2/T1 CF310D1/T1		1	
337B (front) "Super Skymaster"	L	IO-360-CB (TCM)	P3064229-11	D2AF34C306/78CAA-0	78.0	76.5	30			11.0	15.8	82.0		DCFUS310D13/T5 DCFUS310D7/T5 CFUS310D2/T5 DCFU310D13/T5 DCFU310D7/T5 CFU310D2/T5 DCFS310D7/T5 DCFS310D4/T5 CFS310D2/T5 DCF310D7/T1 CF310D2/T1 CF310D1/T1			
337B (front) "Super Skymaster"	L	IO-360-G (TCM)	OBSOLETE	D2AF34C59/76C-0	76.0	74.5	30			11.7	15.0	79.0		DCFUS310D13/T5 DCFUS310D7/T5 CFUS310D2/T5 DCFU310D13/T5 DCFU310D7/T5 CFU310D2/T5 DCFS310D7/T5 DCFS310D4/T5 CFS310D2/T5 DCF310D7/T1 CF310D2/T1 CF310D1/T1		1	
337B (front) "Super Skymaster"	L	IO-360-G (TCM)	OBSOLETE	D2AF34C301/76CTA-0	76.0	75.0	30			11.7	14.7	79.0		DCFUS310D13/T5 DCFUS310D7/T5 CFUS310D2/T5 DCFU310D13/T5 DCFU310D7/T5 CFU310D2/T5 DCFS310D7/T5 DCFS310D4/T5 CFS310D2/T5 DCF310D7/T1 CF310D2/T1 CF310D1/T1		1	

Constant Speed Propeller Applications

Aircraft		Engine		Part Number	Model	Diameter		Ref		Blade Angles			Spinner		Governors	STC Number STC Holder STC Kit P/N	Notes
Model	TYPE	Model (Make)	Model (Make)			Max	Min	Sta	Rev	Low or Flight Idle	Latch or Start Locks	High or Feather	Assembly P/N	Type			
337B (front) "Super Skymaster"	L	IO-360-G (TCM)	P3064229-11	D2AF34C306/78CAA-0	78.0	76.5	30		11.0	15.8	82.0			DCFUS310D13/T5 DCFUS310D7/T5 CFUS310D2/T5 DCFU310D13/T5 DCFU310D7/T5 CFU310D2/T5 DCFS310D7/T5 DCFS310D4/T5 CFS310D2/T5 DCF310D7/T1 CF310D2/T1 CF310D1/T1			
337B (front) "Super Skymaster"	L	IO-360-GB (TCM)	OBSOLETE	D2AF34C59/76C-0	76.0	74.5	30		11.7	15.0	79.0			DCFUS310D13/T5 DCFUS310D7/T5 CFUS310D2/T5 DCFU310D13/T5 DCFU310D7/T5 CFU310D2/T5 DCFS310D7/T5 DCFS310D4/T5 CFS310D2/T5 DCF310D7/T1 CF310D2/T1 CF310D1/T1		1	
337B (front) "Super Skymaster"	L	IO-360-GB (TCM)	OBSOLETE	D2AF34C301/76CTA-0	76.0	75.0	30		11.7	14.7	79.0			DCFUS310D13/T5 DCFUS310D7/T5 CFUS310D2/T5 DCFU310D13/T5 DCFU310D7/T5 CFU310D2/T5 DCFS310D7/T5 DCFS310D4/T5 CFS310D2/T5 DCF310D7/T1 CF310D2/T1 CF310D1/T1		1	
337B (front) "Super Skymaster"	L	IO-360-GB (TCM)	P3064229-11	D2AF34C306/78CAA-0	78.0	76.5	30		11.0	15.8	82.0			DCFUS310D13/T5 DCFUS310D7/T5 CFUS310D2/T5 DCFU310D13/T5 DCFU310D7/T5 CFU310D2/T5 DCFS310D7/T5 DCFS310D4/T5 CFS310D2/T5 DCF310D7/T1 CF310D2/T1 CF310D1/T1			
337B (rear) "Super Skymaster"	L	IO-360-C (TCM)	OBSOLETE	D2AF34C61/L76C-0	76.0	74.5	30		10.8	16.0	79.0			CF310D2/T1 CF310D1/T1		1	
337B (rear) "Super Skymaster"	L	IO-360-C (TCM)	P3024231-01	D2AF34C302/L76CTA-0	76.0	75.0	30		10.8	14.8	79.0			CF310D2/T1 CF310D1/T1			

Constant Speed Propeller Applications

Aircraft		Engine		Part Number	Model	Diameter		Ref		Blade Angles			Spinner		Governors	STC Number STC Holder STC Kit P/N	Notes
Model	T Y P E	Model (Make)	Model (Make)			Max	Min	Sta	Rev	Low or Flight Idle	Latch or Start Locks	High or Feather	Assembly P/N	T y p e			
337B (rear) "Super Skymaster"	L	IO-360-C (TCM)	P3074231-21	D2AF34C307/L78CBA-2	76.0	74.5	30		11.0	15.8	80.0			CF310D2/T1 CF310D1/T1			
337B (rear) "Super Skymaster"	L	IO-360-CB (TCM)	OBSOLETE	D2AF34C61/L76C-0	76.0	74.5	30		10.8	16.0	79.0			CF310D2/T1 CF310D1/T1		1	
337B (rear) "Super Skymaster"	L	IO-360-CB (TCM)	P3024231-01	D2AF34C302/L76CTA-0	76.0	75.0	30		10.8	14.8	79.0			CF310D2/T1 CF310D1/T1			
337B (rear) "Super Skymaster"	L	IO-360-CB (TCM)	P3074231-21	D2AF34C307/L78CBA-2	76.0	74.5	30		11.0	15.8	80.0			CF310D2/T1 CF310D1/T1			
337B (rear) "Super Skymaster"	L	IO-360-D (TCM)	OBSOLETE	D2AF34C61/L76C-0	76.0	74.5	30		10.8	16.0	79.0			CF310D2/T1 CF310D1/T1		1	
337B (rear) "Super Skymaster"	L	IO-360-D (TCM)	P3024231-01	D2AF34C302/L76CTA-0	76.0	75.0	30		10.8	14.8	79.0			CF310D2/T1 CF310D1/T1			
337B (rear) "Super Skymaster"	L	IO-360-D (TCM)	P3074231-21	D2AF34C307/L78CBA-2	76.0	74.5	30		11.0	15.8	80.0			CF310D2/T1 CF310D1/T1			
337B (rear) "Super Skymaster"	L	IO-360-DB (TCM)	OBSOLETE	D2AF34C61/L76C-0	76.0	74.5	30		10.8	16.0	79.0			CF310D2/T1 CF310D1/T1		1	
337B (rear) "Super Skymaster"	L	IO-360-DB (TCM)	P3024231-01	D2AF34C302/L76CTA-0	76.0	75.0	30		10.8	14.8	79.0			CF310D2/T1 CF310D1/T1			
337B (rear) "Super Skymaster"	L	IO-360-DB (TCM)	P3074231-21	D2AF34C307/L78CBA-2	76.0	74.5	30		11.0	15.8	80.0			CF310D2/T1 CF310D1/T1			
337B (rear) "Super Skymaster"	L	IO-360-G (TCM)	OBSOLETE	D2AF34C61/L76C-0	76.0	74.5	30		10.8	16.0	79.0			CF310D2/T1 CF310D1/T1		1	
337B (rear) "Super Skymaster"	L	IO-360-G (TCM)	P3024231-01	D2AF34C302/L76CTA-0	76.0	75.0	30		10.8	14.8	79.0			CF310D2/T1 CF310D1/T1			
337B (rear) "Super Skymaster"	L	IO-360-G (TCM)	P3074231-21	D2AF34C307/L78CBA-2	76.0	74.5	30		11.0	15.8	80.0			CF310D2/T1 CF310D1/T1			
337B (rear) "Super Skymaster"	L	IO-360-GB (TCM)	OBSOLETE	D2AF34C61/L76C-0	76.0	74.5	30		10.8	16.0	79.0			CF310D2/T1 CF310D1/T1		1	
337B (rear) "Super Skymaster"	L	IO-360-GB (TCM)	P3024231-01	D2AF34C302/L76CTA-0	76.0	75.0	30		10.8	14.8	79.0			CF310D2/T1 CF310D1/T1			
337B (rear) "Super Skymaster"	L	IO-360-GB (TCM)	P3074231-21	D2AF34C307/L78CBA-2	76.0	74.5	30		11.0	15.8	80.0			CF310D2/T1 CF310D1/T1			
337C (front) "Super Skymaster"	L	IO-360-C (TCM)	OBSOLETE	D2AF34C59/76C-0	76.0	74.5	30		11.7	15.0	79.0			DCFUS310D13/T5 DCFUS310D7/T5 CFUS310D2/T5 DCFU310D13/T5 DCFU310D7/T5 CFU310D2/T5 DCFS310D7/T5 DCFS310D4/T5 CFS310D2/T5 DCF310D7/T1 CF310D2/T1 CF310D1/T1		1	

Constant Speed Propeller Applications

Aircraft		Engine		Part Number	Model	Diameter		Ref		Blade Angles			Spinner		Governors	STC Number STC Holder STC Kit P/N	Notes
Model	TYPE	Model (Make)	Model			Max	Min	Sta	Rev	Low or Flight Idle	Latch or Start Locks	High or Feather	Assembly P/N	Type			
337C (front) "Super Skymaster"	L	IO-360-C (TCM)	OBSOLETE	D2AF34C301/76CTA-0	76.0	75.0	30			11.7	14.7	79.0		DCFUS310D13/T5 DCFUS310D7/T5 CFUS310D2/T5 DCFU310D13/T5 DCFU310D7/T5 CFU310D2/T5 DCFS310D7/T5 DCFS310D4/T5 CFS310D2/T5 DCF310D7/T1 CF310D2/T1 CF310D1/T1		1	
337C (front) "Super Skymaster"	L	IO-360-C (TCM)	P3064229-11	D2AF34C306/78CAA-0	78.0	76.5	30			11.0	15.8	82.0		DCFUS310D13/T5 DCFUS310D7/T5 CFUS310D2/T5 DCFU310D13/T5 DCFU310D7/T5 CFU310D2/T5 DCFS310D7/T5 DCFS310D4/T5 CFS310D2/T5 DCF310D7/T1 CF310D2/T1 CF310D1/T1			
337C (front) "Super Skymaster"	L	IO-360-CB (TCM)	OBSOLETE	D2AF34C59/76C-0	76.0	74.5	30			11.7	15.0	79.0		DCFUS310D13/T5 DCFUS310D7/T5 CFUS310D2/T5 DCFU310D13/T5 DCFU310D7/T5 CFU310D2/T5 DCFS310D7/T5 DCFS310D4/T5 CFS310D2/T5 DCF310D7/T1 CF310D2/T1 CF310D1/T1		1	
337C (front) "Super Skymaster"	L	IO-360-CB (TCM)	OBSOLETE	D2AF34C301/76CTA-0	76.0	75.0	30			11.7	14.7	79.0		DCFUS310D13/T5 DCFUS310D7/T5 CFUS310D2/T5 DCFU310D13/T5 DCFU310D7/T5 CFU310D2/T5 DCFS310D7/T5 DCFS310D4/T5 CFS310D2/T5 DCF310D7/T1 CF310D2/T1 CF310D1/T1		1	

Constant Speed Propeller Applications

Aircraft		Engine		Part Number	Model	Diameter		Ref		Blade Angles			Spinner		Governors	STC Number STC Holder STC Kit P/N	Notes
Model	TYPE	Model (Make)	Model (Make)			Max	Min	Sta	Rev	Low or Flight Idle	Latch or Start Locks	High or Feather	Assembly P/N	Type			
337C (front) "Super Skymaster"	L	IO-360-CB (TCM)	P3064229-11	D2AF34C306/78CAA-0	78.0	76.5	30		11.0	15.8	82.0			DCFUS310D13/T5 DCFUS310D7/T5 CFUS310D2/T5 DCFU310D13/T5 DCFU310D7/T5 CFU310D2/T5 DCFS310D7/T5 DCFS310D4/T5 CFS310D2/T5 DCF310D7/T1 CF310D2/T1 CF310D1/T1			
337C (front) "Super Skymaster"	L	IO-360-G (TCM)	OBSOLETE	D2AF34C59/76C-0	76.0	74.5	30		11.7	15.0	79.0			DCFUS310D13/T5 DCFUS310D7/T5 CFUS310D2/T5 DCFU310D13/T5 DCFU310D7/T5 CFU310D2/T5 DCFS310D7/T5 DCFS310D4/T5 CFS310D2/T5 DCF310D7/T1 CF310D2/T1 CF310D1/T1		1	
337C (front) "Super Skymaster"	L	IO-360-G (TCM)	OBSOLETE	D2AF34C301/76CTA-0	76.0	75.0	30		11.7	14.7	79.0			DCFUS310D13/T5 DCFUS310D7/T5 CFUS310D2/T5 DCFU310D13/T5 DCFU310D7/T5 CFU310D2/T5 DCFS310D7/T5 DCFS310D4/T5 CFS310D2/T5 DCF310D7/T1 CF310D2/T1 CF310D1/T1		1	
337C (front) "Super Skymaster"	L	IO-360-G (TCM)	P3064229-11	D2AF34C306/78CAA-0	78.0	76.5	30		11.0	15.8	82.0			DCFUS310D13/T5 DCFUS310D7/T5 CFUS310D2/T5 DCFU310D13/T5 DCFU310D7/T5 CFU310D2/T5 DCFS310D7/T5 DCFS310D4/T5 CFS310D2/T5 DCF310D7/T1 CF310D2/T1 CF310D1/T1			

Constant Speed Propeller Applications

Aircraft		Engine		Part Number	Model	Diameter		Ref		Blade Angles			Spinner		Governors	STC Number STC Holder STC Kit P/N	Notes
Model	TYPE	Model (Make)	Model			Max	Min	Sta	Rev	Low or Flight Idle	Latch or Start Locks	High or Feather	Assembly P/N	Type			
337C (front) "Super Skymaster"	L	IO-360-GB (TCM)	OBSOLETE	D2AF34C59/76C-0	76.0	74.5	30			11.7	15.0	79.0			DCFUS310D13/T5 DCFUS310D7/T5 CFUS310D2/T5 DCFU310D13/T5 DCFU310D7/T5 CFU310D2/T5 DCFS310D7/T5 DCFS310D4/T5 CFS310D2/T5 DCF310D7/T1 CF310D2/T1 CF310D1/T1		1
337C (front) "Super Skymaster"	L	IO-360-GB (TCM)	OBSOLETE	D2AF34C301/76CTA-0	76.0	75.0	30			11.7	14.7	79.0			DCFUS310D13/T5 DCFUS310D7/T5 CFUS310D2/T5 DCFU310D13/T5 DCFU310D7/T5 CFU310D2/T5 DCFS310D7/T5 DCFS310D4/T5 CFS310D2/T5 DCF310D7/T1 CF310D2/T1 CF310D1/T1		1
337C (front) "Super Skymaster"	L	IO-360-GB (TCM)	P3064229-11	D2AF34C306/78CAA-0	78.0	76.5	30			11.0	15.8	82.0			DCFUS310D13/T5 DCFUS310D7/T5 CFUS310D2/T5 DCFU310D13/T5 DCFU310D7/T5 CFU310D2/T5 DCFS310D7/T5 DCFS310D4/T5 CFS310D2/T5 DCF310D7/T1 CF310D2/T1 CF310D1/T1		
337C (rear) "Super Skymaster"	L	IO-360-C (TCM)	OBSOLETE	D2AF34C61/L76C-0	76.0	74.5	30			10.8	16.0	79.0			CF310D2/T1 CF310D1/T1		1
337C (rear) "Super Skymaster"	L	IO-360-C (TCM)	P3024231-01	D2AF34C302/L76CTA-0	76.0	75.0	30			10.8	14.8	79.0			CF310D2/T1 CF310D1/T1		
337C (rear) "Super Skymaster"	L	IO-360-C (TCM)	P3074231-21	D2AF34C307/L78CBA-2	76.0	74.5	30			11.0	15.8	80.0			CF310D2/T1 CF310D1/T1		
337C (rear) "Super Skymaster"	L	IO-360-CB (TCM)	OBSOLETE	D2AF34C61/L76C-0	76.0	74.5	30			10.8	16.0	79.0			CF310D2/T1 CF310D1/T1		1
337C (rear) "Super Skymaster"	L	IO-360-CB (TCM)	P3024231-01	D2AF34C302/L76CTA-0	76.0	75.0	30			10.8	14.8	79.0			CF310D2/T1 CF310D1/T1		
337C (rear) "Super Skymaster"	L	IO-360-CB (TCM)	P3074231-21	D2AF34C307/L78CBA-2	76.0	74.5	30			11.0	15.8	80.0			CF310D2/T1 CF310D1/T1		
337C (rear) "Super Skymaster"	L	IO-360-G (TCM)	OBSOLETE	D2AF34C61/L76C-0	76.0	74.5	30			10.8	16.0	79.0			CF310D2/T1 CF310D1/T1		1
337C (rear) "Super Skymaster"	L	IO-360-G (TCM)	P3024231-01	D2AF34C302/L76CTA-0	76.0	75.0	30			10.8	14.8	79.0			CF310D2/T1 CF310D1/T1		

Constant Speed Propeller Applications

Aircraft		Engine			Diameter		Ref	Blade Angles				Spinner		Governors	STC Number STC Holder STC Kit P/N	Notes
Model	TYPE	Model (Make)	Part Number	Model	Max	Min	Sta	Rev	Low or Flight Idle	Latch or Start Locks	High or Feather	Assembly P/N	Type			
337C (rear) "Super Skymaster"	L	IO-360-G (TCM)	P3074231-21	D2AF34C307/L78CBA-2	76.0	74.5	30		11.0	15.8	80.0			CF310D2/T1 CF310D1/T1		
337C (rear) "Super Skymaster"	L	IO-360-GB (TCM)	OBSOLETE	D2AF34C61/L76C-0	76.0	74.5	30		10.8	16.0	79.0			CF310D2/T1 CF310D1/T1		1
337C (rear) "Super Skymaster"	L	IO-360-GB (TCM)	P3024231-01	D2AF34C302/L76CTA-0	76.0	75.0	30		10.8	14.8	79.0			CF310D2/T1 CF310D1/T1		
337C (rear) "Super Skymaster"	L	IO-360-GB (TCM)	P3074231-21	D2AF34C307/L78CBA-2	76.0	74.5	30		11.0	15.8	80.0			CF310D2/T1 CF310D1/T1		
337D (front) "Super Skymaster"	L	IO-360-C (TCM)	OBSOLETE	D2AF34C59/76C-0	76.0	74.5	30		11.7	15.0	79.0			DCFUS310D13/T5 DCFUS310D7/T5 CFUS310D2/T5 DCFU310D13/T5 DCFU310D7/T5 CFU310D2/T5 DCFS310D7/T5 DCFS310D4/T5 CFS310D2/T5 DCF310D7/T1 CF310D2/T1 CF310D1/T1		1
337D (front) "Super Skymaster"	L	IO-360-C (TCM)	OBSOLETE	D2AF34C301/76CTA-0	76.0	75.0	30		11.7	14.7	79.0			DCFUS310D13/T5 DCFUS310D7/T5 CFUS310D2/T5 DCFU310D13/T5 DCFU310D7/T5 CFU310D2/T5 DCFS310D7/T5 DCFS310D4/T5 CFS310D2/T5 DCF310D7/T1 CF310D2/T1 CF310D1/T1		1
337D (front) "Super Skymaster"	L	IO-360-C (TCM)	P3064229-11	D2AF34C306/78CAA-0	78.0	76.5	30		11.0	15.8	82.0			DCFUS310D13/T5 DCFUS310D7/T5 CFUS310D2/T5 DCFU310D13/T5 DCFU310D7/T5 CFU310D2/T5 DCFS310D7/T5 DCFS310D4/T5 CFS310D2/T5 DCF310D7/T1 CF310D2/T1 CF310D1/T1		

Constant Speed Propeller Applications

Aircraft		Engine		Part Number	Model	Diameter		Ref		Blade Angles			Spinner		Governors	STC Number STC Holder STC Kit P/N	Notes
Model	TYPE	Model (Make)	Model (Make)			Max	Min	Sta	Rev	Low or Flight Idle	Latch or Start Locks	High or Feather	Assembly P/N	Type			
337D (front) "Super Skymaster"	L	IO-360-CB (TCM)	OBSOLETE	D2AF34C59/76C-0	76.0	74.5	30		11.7	15.0	79.0			DCFUS310D13/T5 DCFUS310D7/T5 CFUS310D2/T5 DCFU310D13/T5 DCFU310D7/T5 CFU310D2/T5 DCFS310D7/T5 DCFS310D4/T5 CFS310D2/T5 DCF310D7/T1 CF310D2/T1 CF310D1/T1		1	
337D (front) "Super Skymaster"	L	IO-360-CB (TCM)	OBSOLETE	D2AF34C301/76CTA-0	76.0	75.0	30		11.7	14.7	79.0			DCFUS310D13/T5 DCFUS310D7/T5 CFUS310D2/T5 DCFU310D13/T5 DCFU310D7/T5 CFU310D2/T5 DCFS310D7/T5 DCFS310D4/T5 CFS310D2/T5 DCF310D7/T1 CF310D2/T1 CF310D1/T1		1	
337D (front) "Super Skymaster"	L	IO-360-CB (TCM)	P3064229-11	D2AF34C306/78CAA-0	78.0	76.5	30		11.0	15.8	82.0			DCFUS310D13/T5 DCFUS310D7/T5 CFUS310D2/T5 DCFU310D13/T5 DCFU310D7/T5 CFU310D2/T5 DCFS310D7/T5 DCFS310D4/T5 CFS310D2/T5 DCF310D7/T1 CF310D2/T1 CF310D1/T1			
337D (front) "Super Skymaster"	L	IO-360-G (TCM)	OBSOLETE	D2AF34C59/76C-0	76.0	74.5	30		11.7	15.0	79.0			DCFUS310D13/T5 DCFUS310D7/T5 CFUS310D2/T5 DCFU310D13/T5 DCFU310D7/T5 CFU310D2/T5 DCFS310D7/T5 DCFS310D4/T5 CFS310D2/T5 DCF310D7/T1 CF310D2/T1 CF310D1/T1		1	

Constant Speed Propeller Applications

Aircraft		Engine		Part Number	Model	Diameter		Ref		Blade Angles			Spinner		Governors	STC Number STC Holder STC Kit P/N	Notes
Model	TYPE	Model (Make)	Model (Make)			Max	Min	Sta	Rev	Low or Flight Idle	Latch or Start Locks	High or Feather	Assembly P/N	Type			
337D (front) "Super Skymaster"	L	IO-360-G (TCM)	OBSOLETE	D2AF34C301/76CTA-0	76.0	75.0	30			11.7	14.7	79.0		DCFUS310D13/T5 DCFUS310D7/T5 CFUS310D2/T5 DCFU310D13/T5 DCFU310D7/T5 CFU310D2/T5 DCFS310D7/T5 DCFS310D4/T5 CFS310D2/T5 DCF310D7/T1 CF310D2/T1 CF310D1/T1		1	
337D (front) "Super Skymaster"	L	IO-360-G (TCM)	P3064229-11	D2AF34C306/78CAA-0	78.0	76.5	30			11.0	15.8	82.0		DCFUS310D13/T5 DCFUS310D7/T5 CFUS310D2/T5 DCFU310D13/T5 DCFU310D7/T5 CFU310D2/T5 DCFS310D7/T5 DCFS310D4/T5 CFS310D2/T5 DCF310D7/T1 CF310D2/T1 CF310D1/T1			
337D (front) "Super Skymaster"	L	IO-360-GB (TCM)	OBSOLETE	D2AF34C59/76C-0	76.0	74.5	30			11.7	15.0	79.0		DCFUS310D13/T5 DCFUS310D7/T5 CFUS310D2/T5 DCFU310D13/T5 DCFU310D7/T5 CFU310D2/T5 DCFS310D7/T5 DCFS310D4/T5 CFS310D2/T5 DCF310D7/T1 CF310D2/T1 CF310D1/T1		1	
337D (front) "Super Skymaster"	L	IO-360-GB (TCM)	OBSOLETE	D2AF34C301/76CTA-0	76.0	75.0	30			11.7	14.7	79.0		DCFUS310D13/T5 DCFUS310D7/T5 CFUS310D2/T5 DCFU310D13/T5 DCFU310D7/T5 CFU310D2/T5 DCFS310D7/T5 DCFS310D4/T5 CFS310D2/T5 DCF310D7/T1 CF310D2/T1 CF310D1/T1		1	

Constant Speed Propeller Applications

Aircraft		Engine		Part Number	Model	Diameter		Ref		Blade Angles			Spinner		Governors	STC Number STC Holder STC Kit P/N	Notes
Model	TYPE	Model (Make)	Model			Max	Min	Sta	Rev	Low or Flight Idle	Latch or Start Locks	High or Feather	Assembly P/N	Type			
337D (front) "Super Skymaster"	L	IO-360-GB (TCM)	P3064229-11	D2AF34C306/78CAA-0	78.0	76.5	30			11.0	15.8	82.0			DCFUS310D13/T5 DCFUS310D7/T5 CFUS310D2/T5 DCFU310D13/T5 DCFU310D7/T5 CFU310D2/T5 DCFS310D7/T5 DCFS310D4/T5 CFS310D2/T5 DCF310D7/T1 CF310D2/T1 CF310D1/T1		
337D (rear) "Super Skymaster"	L	IO-360-C (TCM)	OBSOLETE	D2AF34C61/L76C-0	76.0	74.5	30		10.8	16.0	79.0			CF310D2/T1 CF310D1/T1		1	
337D (rear) "Super Skymaster"	L	IO-360-C (TCM)	P3024231-01	D2AF34C302/L76CTA-0	76.0	75.0	30		10.8	14.8	79.0			CF310D2/T1 CF310D1/T1			
337D (rear) "Super Skymaster"	L	IO-360-C (TCM)	P3074231-21	D2AF34C307/L78CBA-2	76.0	74.5	30		11.0	15.8	80.0			CF310D2/T1 CF310D1/T1			
337D (rear) "Super Skymaster"	L	IO-360-CB (TCM)	OBSOLETE	D2AF34C61/L76C-0	76.0	74.5	30		10.8	16.0	79.0			CF310D2/T1 CF310D1/T1		1	
337D (rear) "Super Skymaster"	L	IO-360-CB (TCM)	P3024231-01	D2AF34C302/L76CTA-0	76.0	75.0	30		10.8	14.8	79.0			CF310D2/T1 CF310D1/T1			
337D (rear) "Super Skymaster"	L	IO-360-CB (TCM)	P3074231-21	D2AF34C307/L78CBA-2	76.0	74.5	30		11.0	15.8	80.0			CF310D2/T1 CF310D1/T1			
337D (rear) "Super Skymaster"	L	IO-360-G (TCM)	OBSOLETE	D2AF34C61/L76C-0	76.0	74.5	30		10.8	16.0	79.0			CF310D2/T1 CF310D1/T1		1	
337D (rear) "Super Skymaster"	L	IO-360-G (TCM)	P3024231-01	D2AF34C302/L76CTA-0	76.0	75.0	30		10.8	14.8	79.0			CF310D2/T1 CF310D1/T1			
337D (rear) "Super Skymaster"	L	IO-360-G (TCM)	P3074231-21	D2AF34C307/L78CBA-2	76.0	74.5	30		11.0	15.8	80.0			CF310D2/T1 CF310D1/T1			
337D (rear) "Super Skymaster"	L	IO-360-GB (TCM)	OBSOLETE	D2AF34C61/L76C-0	76.0	74.5	30		10.8	16.0	79.0			CF310D2/T1 CF310D1/T1		1	
337D (rear) "Super Skymaster"	L	IO-360-GB (TCM)	P3024231-01	D2AF34C302/L76CTA-0	76.0	75.0	30		10.8	14.8	79.0			CF310D2/T1 CF310D1/T1			
337D (rear) "Super Skymaster"	L	IO-360-GB (TCM)	P3074231-21	D2AF34C307/L78CBA-2	76.0	74.5	30		11.0	15.8	80.0			CF310D2/T1 CF310D1/T1			
337E (front) "Super Skymaster"	L	IO-360-C (TCM)	OBSOLETE	D2AF34C59/76C-0	76.0	74.5	30			11.7	15.0	79.0			DCFUS310D13/T5 DCFUS310D7/T5 CFUS310D2/T5 DCFU310D13/T5 DCFU310D7/T5 CFU310D2/T5 DCFS310D7/T5 DCFS310D4/T5 CFS310D2/T5 DCF310D7/T1 CF310D2/T1 CF310D1/T1		1

Constant Speed Propeller Applications

Aircraft		Engine		Part Number	Model	Diameter		Ref		Blade Angles			Spinner		Governors	STC Number STC Holder STC Kit P/N	Notes
Model	TYPE	Model (Make)	Model			Max	Min	Sta	Rev	Low or Flight Idle	Latch or Start Locks	High or Feather	Assembly P/N	Type			
337E (front) "Super Skymaster"	L	IO-360-C (TCM)	OBSOLETE	D2AF34C301/76CTA-0	76.0	75.0	30			11.7	14.7	79.0		DCFUS310D13/T5 DCFUS310D7/T5 CFUS310D2/T5 DCFU310D13/T5 DCFU310D7/T5 CFU310D2/T5 DCFS310D7/T5 DCFS310D4/T5 CFS310D2/T5 DCF310D7/T1 CF310D2/T1 CF310D1/T1		1	
337E (front) "Super Skymaster"	L	IO-360-C (TCM)	P3064229-11	D2AF34C306/78CAA-0	78.0	76.5	30			11.0	15.8	82.0		DCFUS310D13/T5 DCFUS310D7/T5 CFUS310D2/T5 DCFU310D13/T5 DCFU310D7/T5 CFU310D2/T5 DCFS310D7/T5 DCFS310D4/T5 CFS310D2/T5 DCF310D7/T1 CF310D2/T1 CF310D1/T1			
337E (front) "Super Skymaster"	L	IO-360-CB (TCM)	OBSOLETE	D2AF34C59/76C-0	76.0	74.5	30			11.7	15.0	79.0		DCFUS310D13/T5 DCFUS310D7/T5 CFUS310D2/T5 DCFU310D13/T5 DCFU310D7/T5 CFU310D2/T5 DCFS310D7/T5 DCFS310D4/T5 CFS310D2/T5 DCF310D7/T1 CF310D2/T1 CF310D1/T1		1	
337E (front) "Super Skymaster"	L	IO-360-CB (TCM)	OBSOLETE	D2AF34C301/76CTA-0	76.0	75.0	30			11.7	14.7	79.0		DCFUS310D13/T5 DCFUS310D7/T5 CFUS310D2/T5 DCFU310D13/T5 DCFU310D7/T5 CFU310D2/T5 DCFS310D7/T5 DCFS310D4/T5 CFS310D2/T5 DCF310D7/T1 CF310D2/T1 CF310D1/T1		1	

Constant Speed Propeller Applications

Aircraft		Engine		Part Number	Model	Diameter		Ref		Blade Angles			Spinner		Governors	STC Number STC Holder STC Kit P/N	Notes
Model	TYPE	Model (Make)	Model (Make)			Max	Min	Sta	Rev	Low or Flight Idle	Latch or Start Locks	High or Feather	Assembly P/N	Type			
337E (front) "Super Skymaster"	L	IO-360-CB (TCM)	P3064229-11	D2AF34C306/78CAA-0	78.0	76.5	30		11.0	15.8	82.0			DCFUS310D13/T5 DCFUS310D7/T5 CFUS310D2/T5 DCFU310D13/T5 DCFU310D7/T5 CFU310D2/T5 DCFS310D7/T5 DCFS310D4/T5 CFS310D2/T5 DCF310D7/T1 CF310D2/T1 CF310D1/T1			
337E (front) "Super Skymaster"	L	IO-360-G (TCM)	OBSOLETE	D2AF34C59/76C-0	76.0	74.5	30		11.7	15.0	79.0			DCFUS310D13/T5 DCFUS310D7/T5 CFUS310D2/T5 DCFU310D13/T5 DCFU310D7/T5 CFU310D2/T5 DCFS310D7/T5 DCFS310D4/T5 CFS310D2/T5 DCF310D7/T1 CF310D2/T1 CF310D1/T1		1	
337E (front) "Super Skymaster"	L	IO-360-G (TCM)	OBSOLETE	D2AF34C301/76CTA-0	76.0	75.0	30		11.7	14.7	79.0			DCFUS310D13/T5 DCFUS310D7/T5 CFUS310D2/T5 DCFU310D13/T5 DCFU310D7/T5 CFU310D2/T5 DCFS310D7/T5 DCFS310D4/T5 CFS310D2/T5 DCF310D7/T1 CF310D2/T1 CF310D1/T1		1	
337E (front) "Super Skymaster"	L	IO-360-G (TCM)	P3064229-11	D2AF34C306/78CAA-0	78.0	76.5	30		11.0	15.8	82.0			DCFUS310D13/T5 DCFUS310D7/T5 CFUS310D2/T5 DCFU310D13/T5 DCFU310D7/T5 CFU310D2/T5 DCFS310D7/T5 DCFS310D4/T5 CFS310D2/T5 DCF310D7/T1 CF310D2/T1 CF310D1/T1			

Constant Speed Propeller Applications

Aircraft		Engine		Part Number	Model	Diameter		Ref		Blade Angles			Spinner		Governors	STC Number STC Holder STC Kit P/N	Notes
Model	TYPE	Model (Make)	Model			Max	Min	Sta	Rev	Low or Flight Idle	Latch or Start Locks	High or Feather	Assembly P/N	Type			
337E (front) "Super Skymaster"	L	IO-360-GB (TCM)	OBSOLETE	D2AF34C59/76C-0	76.0	74.5	30			11.7	15.0	79.0			DCFUS310D13/T5 DCFUS310D7/T5 CFUS310D2/T5 DCFU310D13/T5 DCFU310D7/T5 CFU310D2/T5 DCFS310D7/T5 DCFS310D4/T5 CFS310D2/T5 DCF310D7/T1 CF310D2/T1 CF310D1/T1		1
337E (front) "Super Skymaster"	L	IO-360-GB (TCM)	OBSOLETE	D2AF34C301/76CTA-0	76.0	75.0	30			11.7	14.7	79.0			DCFUS310D13/T5 DCFUS310D7/T5 CFUS310D2/T5 DCFU310D13/T5 DCFU310D7/T5 CFU310D2/T5 DCFS310D7/T5 DCFS310D4/T5 CFS310D2/T5 DCF310D7/T1 CF310D2/T1 CF310D1/T1		1
337E (front) "Super Skymaster"	L	IO-360-GB (TCM)	P3064229-11	D2AF34C306/78CAA-0	78.0	76.5	30			11.0	15.8	82.0			DCFUS310D13/T5 DCFUS310D7/T5 CFUS310D2/T5 DCFU310D13/T5 DCFU310D7/T5 CFU310D2/T5 DCFS310D7/T5 DCFS310D4/T5 CFS310D2/T5 DCF310D7/T1 CF310D2/T1 CF310D1/T1		
337E (rear) "Super Skymaster"	L	IO-360-C (TCM)	OBSOLETE	D2AF34C61/L76C-0	76.0	74.5	30			10.8	16.0	79.0			CF310D2/T1 CF310D1/T1		1
337E (rear) "Super Skymaster"	L	IO-360-C (TCM)	P3024231-01	D2AF34C302/L76CTA-0	76.0	75.0	30			10.8	14.8	79.0			CF310D2/T1 CF310D1/T1		
337E (rear) "Super Skymaster"	L	IO-360-C (TCM)	P3074231-21	D2AF34C307/L78CBA-2	76.0	74.5	30			11.0	15.8	80.0			CF310D2/T1 CF310D1/T1		
337E (rear) "Super Skymaster"	L	IO-360-CB (TCM)	OBSOLETE	D2AF34C61/L76C-0	76.0	74.5	30			10.8	16.0	79.0			CF310D2/T1 CF310D1/T1		1
337E (rear) "Super Skymaster"	L	IO-360-CB (TCM)	P3024231-01	D2AF34C302/L76CTA-0	76.0	75.0	30			10.8	14.8	79.0			CF310D2/T1 CF310D1/T1		
337E (rear) "Super Skymaster"	L	IO-360-CB (TCM)	P3074231-21	D2AF34C307/L78CBA-2	76.0	74.5	30			11.0	15.8	80.0			CF310D2/T1 CF310D1/T1		
337E (rear) "Super Skymaster"	L	IO-360-G (TCM)	OBSOLETE	D2AF34C61/L76C-0	76.0	74.5	30			10.8	16.0	79.0			CF310D2/T1 CF310D1/T1		1
337E (rear) "Super Skymaster"	L	IO-360-G (TCM)	P3024231-01	D2AF34C302/L76CTA-0	76.0	75.0	30			10.8	14.8	79.0			CF310D2/T1 CF310D1/T1		

Constant Speed Propeller Applications

Aircraft		Engine			Diameter		Ref		Blade Angles			Spinner		Governors	STC Number STC Holder STC Kit P/N	Notes
Model	TYPE	Model (Make)	Part Number	Model	Max	Min	Sta	Rev	Low or Flight Idle	Latch or Start Locks	High or Feather	Assembly P/N	Type			
337E (rear) "Super Skymaster"	L	IO-360-G (TCM)	P3074231-21	D2AF34C307/L78CBA-2	76.0	74.5	30		11.0	15.8	80.0			CF310D2/T1 CF310D1/T1		
337E (rear) "Super Skymaster"	L	IO-360-GB (TCM)	OBSOLETE	D2AF34C61/L76C-0	76.0	74.5	30		10.8	16.0	79.0			CF310D2/T1 CF310D1/T1		1
337E (rear) "Super Skymaster"	L	IO-360-GB (TCM)	P3024231-01	D2AF34C302/L76CTA-0	76.0	75.0	30		10.8	14.8	79.0			CF310D2/T1 CF310D1/T1		
337E (rear) "Super Skymaster"	L	IO-360-GB (TCM)	P3074231-21	D2AF34C307/L78CBA-2	76.0	74.5	30		11.0	15.8	80.0			CF310D2/T1 CF310D1/T1		
337F (front) "Super Skymaster"	L	IO-360-C (TCM)	OBSOLETE	D2AF34C59/76C-0	76.0	74.5	30		11.7	15.0	79.0			DCFUS310D13/T5 DCFUS310D7/T5 CFUS310D2/T5 DCFU310D13/T5 DCFU310D7/T5 CFU310D2/T5 DCFS310D7/T5 DCFS310D4/T5 CFS310D2/T5 DCF310D7/T1 CF310D2/T1 CF310D1/T1		1
337F (front) "Super Skymaster"	L	IO-360-C (TCM)	OBSOLETE	D2AF34C301/76CTA-0	76.0	75.0	30		11.7	14.7	79.0			DCFUS310D13/T5 DCFUS310D7/T5 CFUS310D2/T5 DCFU310D13/T5 DCFU310D7/T5 CFU310D2/T5 DCFS310D7/T5 DCFS310D4/T5 CFS310D2/T5 DCF310D7/T1 CF310D2/T1 CF310D1/T1		1
337F (front) "Super Skymaster"	L	IO-360-C (TCM)	P3064229-11	D2AF34C306/78CAA-0	78.0	76.5	30		11.0	15.8	82.0			DCFUS310D13/T5 DCFUS310D7/T5 CFUS310D2/T5 DCFU310D13/T5 DCFU310D7/T5 CFU310D2/T5 DCFS310D7/T5 DCFS310D4/T5 CFS310D2/T5 DCF310D7/T1 CF310D2/T1 CF310D1/T1		

Constant Speed Propeller Applications

Aircraft		Engine		Part Number	Model	Diameter		Ref		Blade Angles			Spinner		Governors	STC Number STC Holder STC Kit P/N	Notes
Model	TYPE	Model (Make)	Model			Max	Min	Sta	Rev	Low or Flight Idle	Latch or Start Locks	High or Feather	Assembly P/N	Type			
337F (front) "Super Skymaster"	L	IO-360-CB (TCM)	OBSOLETE	D2AF34C59/76C-0	76.0	74.5	30			11.7	15.0	79.0			DCFUS310D13/T5 DCFUS310D7/T5 CFUS310D2/T5 DCFU310D13/T5 DCFU310D7/T5 CFU310D2/T5 DCFS310D7/T5 DCFS310D4/T5 CFS310D2/T5 DCF310D7/T1 CF310D2/T1 CF310D1/T1		1
337F (front) "Super Skymaster"	L	IO-360-CB (TCM)	OBSOLETE	D2AF34C301/76CTA-0	76.0	75.0	30			11.7	14.7	79.0			DCFUS310D13/T5 DCFUS310D7/T5 CFUS310D2/T5 DCFU310D13/T5 DCFU310D7/T5 CFU310D2/T5 DCFS310D7/T5 DCFS310D4/T5 CFS310D2/T5 DCF310D7/T1 CF310D2/T1 CF310D1/T1		1
337F (front) "Super Skymaster"	L	IO-360-CB (TCM)	P3064229-11	D2AF34C306/78CAA-0	78.0	76.5	30			11.0	15.8	82.0			DCFUS310D13/T5 DCFUS310D7/T5 CFUS310D2/T5 DCFU310D13/T5 DCFU310D7/T5 CFU310D2/T5 DCFS310D7/T5 DCFS310D4/T5 CFS310D2/T5 DCF310D7/T1 CF310D2/T1 CF310D1/T1		
337F (front) "Super Skymaster"	L	IO-360-G (TCM)	OBSOLETE	D2AF34C59/76C-0	76.0	74.5	30			11.7	15.0	79.0			DCFUS310D13/T5 DCFUS310D7/T5 CFUS310D2/T5 DCFU310D13/T5 DCFU310D7/T5 CFU310D2/T5 DCFS310D7/T5 DCFS310D4/T5 CFS310D2/T5 DCF310D7/T1 CF310D2/T1 CF310D1/T1		1

Constant Speed Propeller Applications

Aircraft		Engine		Part Number	Model	Diameter		Ref		Blade Angles			Spinner		Governors	STC Number STC Holder STC Kit P/N	Notes
Model	TYPE	Model (Make)	Model (Make)			Max	Min	Sta	Rev	Low or Flight Idle	Latch or Start Locks	High or Feather	Assembly P/N	Type			
337F (front) "Super Skymaster"	L	IO-360-G (TCM)	OBSOLETE	D2AF34C301/76CTA-0	76.0	75.0	30		11.7	14.7	79.0		DCFUS310D13/T5 DCFUS310D7/T5 CFUS310D2/T5 DCFU310D13/T5 DCFU310D7/T5 CFU310D2/T5 DCFS310D7/T5 DCFS310D4/T5 CFS310D2/T5 DCF310D7/T1 CF310D2/T1 CF310D1/T1		1		
337F (front) "Super Skymaster"	L	IO-360-G (TCM)	P3064229-11	D2AF34C306/78CAA-0	78.0	76.5	30		11.0	15.8	82.0		DCFUS310D13/T5 DCFUS310D7/T5 CFUS310D2/T5 DCFU310D13/T5 DCFU310D7/T5 CFU310D2/T5 DCFS310D7/T5 DCFS310D4/T5 CFS310D2/T5 DCF310D7/T1 CF310D2/T1 CF310D1/T1				
337F (front) "Super Skymaster"	L	IO-360-GB (TCM)	OBSOLETE	D2AF34C59/76C-0	76.0	74.5	30		11.7	15.0	79.0		DCFUS310D13/T5 DCFUS310D7/T5 CFUS310D2/T5 DCFU310D13/T5 DCFU310D7/T5 CFU310D2/T5 DCFS310D7/T5 DCFS310D4/T5 CFS310D2/T5 DCF310D7/T1 CF310D2/T1 CF310D1/T1		1		
337F (front) "Super Skymaster"	L	IO-360-GB (TCM)	OBSOLETE	D2AF34C301/76CTA-0	76.0	75.0	30		11.7	14.7	79.0		DCFUS310D13/T5 DCFUS310D7/T5 CFUS310D2/T5 DCFU310D13/T5 DCFU310D7/T5 CFU310D2/T5 DCFS310D7/T5 DCFS310D4/T5 CFS310D2/T5 DCF310D7/T1 CF310D2/T1 CF310D1/T1		1		

Constant Speed Propeller Applications

Aircraft		Engine		Part Number	Model	Diameter		Ref		Blade Angles			Spinner		Governors	STC Number STC Holder STC Kit P/N	Notes
Model	TYPE	Model (Make)	Model			Max	Min	Sta	Rev	Low or Flight Idle	Latch or Start Locks	High or Feather	Assembly P/N	Type			
337F (front) "Super Skymaster"	L	IO-360-GB (TCM)	P3064229-11	D2AF34C306/78CAA-0	78.0	76.5	30			11.0	15.8	82.0			DCFUS310D13/T5 DCFUS310D7/T5 CFUS310D2/T5 DCFU310D13/T5 DCFU310D7/T5 CFU310D2/T5 DCFS310D7/T5 DCFS310D4/T5 CFS310D2/T5 DCF310D7/T1 CF310D2/T1 CF310D1/T1		
337F (rear) "Super Skymaster"	L	IO-360-C (TCM)	OBSOLETE	D2AF34C61/L76C-0	76.0	74.5	30			10.8	16.0	79.0			CF310D2/T1 CF310D1/T1		1
337F (rear) "Super Skymaster"	L	IO-360-C (TCM)	P3024231-01	D2AF34C302/L76CTA-0	76.0	75.0	30			10.8	14.8	79.0			CF310D2/T1 CF310D1/T1		
337F (rear) "Super Skymaster"	L	IO-360-C (TCM)	P3074231-21	D2AF34C307/L78CBA-2	76.0	74.5	30			11.0	15.8	80.0			CF310D2/T1 CF310D1/T1		
337F (rear) "Super Skymaster"	L	IO-360-CB (TCM)	OBSOLETE	D2AF34C61/L76C-0	76.0	74.5	30			10.8	16.0	79.0			CF310D2/T1 CF310D1/T1		1
337F (rear) "Super Skymaster"	L	IO-360-CB (TCM)	P3024231-01	D2AF34C302/L76CTA-0	76.0	75.0	30			10.8	14.8	79.0			CF310D2/T1 CF310D1/T1		
337F (rear) "Super Skymaster"	L	IO-360-CB (TCM)	P3074231-21	D2AF34C307/L78CBA-2	76.0	74.5	30			11.0	15.8	80.0			CF310D2/T1 CF310D1/T1		
337F (rear) "Super Skymaster"	L	IO-360-G (TCM)	OBSOLETE	D2AF34C61/L76C-0	76.0	74.5	30			10.8	16.0	79.0			CF310D2/T1 CF310D1/T1		1
337F (rear) "Super Skymaster"	L	IO-360-G (TCM)	P3024231-01	D2AF34C302/L76CTA-0	76.0	75.0	30			10.8	14.8	79.0			CF310D2/T1 CF310D1/T1		
337F (rear) "Super Skymaster"	L	IO-360-G (TCM)	P3074231-21	D2AF34C307/L78CBA-2	76.0	74.5	30			11.0	15.8	80.0			CF310D2/T1 CF310D1/T1		
337F (rear) "Super Skymaster"	L	IO-360-GB (TCM)	OBSOLETE	D2AF34C61/L76C-0	76.0	74.5	30			10.8	16.0	79.0			CF310D2/T1 CF310D1/T1		1
337F (rear) "Super Skymaster"	L	IO-360-GB (TCM)	P3024231-01	D2AF34C302/L76CTA-0	76.0	75.0	30			10.8	14.8	79.0			CF310D2/T1 CF310D1/T1		
337F (rear) "Super Skymaster"	L	IO-360-GB (TCM)	P3074231-21	D2AF34C307/L78CBA-2	76.0	74.5	30			11.0	15.8	80.0			CF310D2/T1 CF310D1/T1		
337G (front) (S/N 33701463 - 33701748) "Super Skymaster"	L	IO-360-G (TCM)	P3064229-11	D2AF34C306/78CAA-0	78.0	76.5	30			11.0	15.8	82.0			DCFUS310D13/T5 DCFUS310D7/T5 CFUS310D2/T5 DCFU310D13/T5 DCFU310D7/T5 CFU310D2/T5 DCFS310D7/T5 DCFS310D4/T5 CFS310D2/T5 DCF310D7/T1 CF310D2/T1 CF310D1/T1		

Constant Speed Propeller Applications

Aircraft		Engine		Part Number	Model	Diameter		Ref	Blade Angles			Spinner		Governors	STC Number STC Holder STC Kit P/N	Notes
Model	TYPE	Model (Make)	Model			Max	Min		Sta	Rev	Low or Flight Idle	Latch or Start Locks	High or Feather			
337G (front) (S/N 33701463 - 33701748) "Super Skymaster"	L	IO-360-GB (TCM)	P3064229-11	D2AF34C306/78CAA-0	78.0	76.5	30		11.0	15.8	82.0			DCFUS310D13/T5 DCFUS310D7/T5 CFUS310D2/T5 DCFU310D13/T5 DCFU310D7/T5 CFU310D2/T5 DCFS310D7/T5 DCFS310D4/T5 CFS310D2/T5 DCF310D7/T1 CF310D2/T1 CF310D1/T1		
337G (front) (S/N 33701749 AND UP, AND P33701449) "Super Skymaster"	L	IO-360-G (TCM)	P3104229-21	D2AF34C310/90DEA-12	78.0	76.5	30		9.9	14.6	82.0			DCFUS310D13/T5 DCFUS310D7/T5 CFUS310D2/T5 DCFU310D13/T5 DCFU310D7/T5 CFU310D2/T5 DCFS310D7/T5 DCFS310D4/T5 CFS310D2/T5 DCF310D7/T1 CF310D2/T1 CF310D1/T1		
337G (front) (S/N 33701749 AND UP, AND P33701449) "Super Skymaster"	L	IO-360-GB (TCM)	P3104229-21	D2AF34C310/90DEA-12	78.0	76.5	30		9.9	14.6	82.0			DCFUS310D13/T5 DCFUS310D7/T5 CFUS310D2/T5 DCFU310D13/T5 DCFU310D7/T5 CFU310D2/T5 DCFS310D7/T5 DCFS310D4/T5 CFS310D2/T5 DCF310D7/T1 CF310D2/T1 CF310D1/T1		
337G (rear) "Super Skymaster"	L	IO-360-G (TCM)	P3074231-21	D2AF34C307/L78CBA-2	76.0	74.5	30		11.0	15.8	80.0			CF310D2/T1 CF310D1/T1		
337G (rear) "Super Skymaster"	L	IO-360-GB (TCM)	P3074231-21	D2AF34C307/L78CBA-2	76.0	74.5	30		11.0	15.8	80.0			CF310D2/T1 CF310D1/T1		
337H (front) (S/N 33701816 - 33701874) "Super Skymaster"	L	IO-360-G (TCM)	P3104229-21	D2AF34C310/90DEA-12	78.0	76.5	30		9.9	14.6	82.0			DCFUS310D13/T5 DCFUS310D7/T5 DCFUS310D4/T5 DCFS310D7/T5 DCFS310D4/T5		
337H (front) "Super Skymaster"	L	IO-360-GB (TCM)	P3104229-21	D2AF34C310/90DEA-12	78.0	76.5	30		9.9	14.6	82.0			DCFUS310D13/T5 DCFUS310D7/T5 DCFUS310D4/T5 DCFS310D7/T5 DCFS310D4/T5		

Constant Speed Propeller Applications

Aircraft		Engine		Part Number	Model	Diameter		Ref		Blade Angles			Spinner		Governors	STC Number STC Holder STC Kit P/N	Notes
Model	TYPE	Model (Make)	Model (Make)			Max	Min	Sta	Rev	Low or Flight Idle	Latch or Start Locks	High or Feather	Assembly P/N	Type			
337H (rear) (S/N 33701816 - 33701874) "Super Skymaster"	L	IO-360-G (TCM)	P3074231-21	D2AF34C307/L78CBA-2	76.0	74.5	30			11.0	15.8	80.0			DCF310D7/T1		
337H (rear) "Super Skymaster"	L	IO-360-GB (TCM)	P3074231-21	D2AF34C307/L78CBA-2	76.0	74.5	30			11.0	15.8	80.0			DCF310D7/T1		
M337B (front) "USAF O2A"	L	IO-360-D (TCM)	P3064229-11	D2AF34C306/78CAA-0	78.0	76.5	30			11.0	15.8	82.0			DCFUS310D13/T5 DCFUS310D7/T5 CFUS310D2/T5 DCFU310D13/T5 DCFU310D7/T5 CFU310D2/T5 DCFS310D7/T5 DCFS310D4/T5 CFS310D2/T5 DCF310D7/T1 CF310D2/T1 CF310D1/T1		
M337B (front) "USAF O2A"	L	IO-360-D (TCM)	OBSOLETE	D2AF34C59/76C-0	76.0	74.5	30			11.7	15.0	79.0			DCFUS310D13/T5 DCFUS310D7/T5 CFUS310D2/T5 DCFU310D13/T5 DCFU310D7/T5 CFU310D2/T5 DCFS310D7/T5 DCFS310D4/T5 CFS310D2/T5 DCF310D7/T1 CF310D2/T1 CF310D1/T1		1
M337B (front) "USAF O2A"	L	IO-360-D (TCM)	OBSOLETE	D2AF34C42/76C-0	76.0	75.0	30			11.7	14.7	79.0			DCFUS310D13/T5 DCFUS310D7/T5 CFUS310D2/T5 DCFU310D13/T5 DCFU310D7/T5 CFU310D2/T5 DCFS310D7/T5 DCFS310D4/T5 CFS310D2/T5 DCF310D7/T1 CF310D2/T1 CF310D1/T1		1

Constant Speed Propeller Applications

Aircraft		Engine		Part Number	Model	Diameter		Ref		Blade Angles			Spinner		Governors	STC Number STC Holder STC Kit P/N	Notes
Model	TYPE	Model (Make)	Model			Max	Min	Sta	Rev	Low or Flight Idle	Latch or Start Locks	High or Feather	Assembly P/N	Type			
M337B (front) "USAF O2A"	L	IO-360-DB (TCM)	P3064229-11	D2AF34C306/78CAA-0	78.0	76.5	30			11.0	15.8	82.0			DCFUS310D13/T5 DCFUS310D7/T5 CFUS310D2/T5 DCFU310D13/T5 DCFU310D7/T5 CFU310D2/T5 DCFS310D7/T5 DCFS310D4/T5 CFS310D2/T5 DCF310D7/T1 CF310D2/T1 CF310D1/T1		
M337B (front) "USAF O2A"	L	IO-360-DB (TCM)	OBSOLETE	D2AF34C59/76C-0	76.0	74.5	30			11.7	15.0	79.0			DCFUS310D13/T5 DCFUS310D7/T5 CFUS310D2/T5 DCFU310D13/T5 DCFU310D7/T5 CFU310D2/T5 DCFS310D7/T5 DCFS310D4/T5 CFS310D2/T5 DCF310D7/T1 CF310D2/T1 CF310D1/T1		1
M337B (front) "USAF O2A"	L	IO-360-DB (TCM)	OBSOLETE	D2AF34C42/76C-0	76.0	75.0	30			11.7	14.7	79.0			DCFUS310D13/T5 DCFUS310D7/T5 CFUS310D2/T5 DCFU310D13/T5 DCFU310D7/T5 CFU310D2/T5 DCFS310D7/T5 DCFS310D4/T5 CFS310D2/T5 DCF310D7/T1 CF310D2/T1 CF310D1/T1		1
M337B (rear) "USAF O2A"	L	IO-360-D (TCM)	P3074231-21	D2AF34C307/L78CBA-2	76.0	74.5	30			11.0	15.8	80.0					
M337B (rear) "USAF O2A"	L	IO-360-D (TCM)	OBSOLETE	D2AF34C61/L76C-0	76.0	74.5	30			10.8	16.0	79.0					1
M337B (rear) "USAF O2A"	L	IO-360-D (TCM)	OBSOLETE	D2AF34C41/L76C-0	76.0	75.0	30			10.8	14.8	79.0					1
M337B (rear) "USAF O2A"	L	IO-360-DB (TCM)	P3074231-21	D2AF34C307/L78CBA-2	76.0	74.5	30			11.0	15.8	80.0					
M337B (rear) "USAF O2A"	L	IO-360-DB (TCM)	OBSOLETE	D2AF34C61/L76C-0	76.0	74.5	30			10.8	16.0	79.0					1
M337B (rear) "USAF O2A"	L	IO-360-DB (TCM)	OBSOLETE	D2AF34C41/L76C-0	76.0	75.0	30			10.8	14.8	79.0					1

Constant Speed Propeller Applications

Aircraft		Engine			Diameter		Ref		Blade Angles			Spinner		Governors	STC Number STC Holder STC Kit P/N	Notes
Model	TYPE	Model (Make)	Part Number	Model	Max	Min	Sta	Rev	Low or Flight Idle	Latch or Start Locks	High or Feather	Assembly P/N	Type			
P337H (front) "Pressurized Skymaster"	L	IO-360-C (TCM)	P3084336-21	D2AF34C308/90DEA-12	78.0	76.5	30		11.3	15.0	82.3			DCFUS310D13/T5 DCFUS310D7/T5 DCFUS310D4/T5 DCFS310D7/T5 DCFS310D4/T5		
P337H (front) "Pressurized Skymaster"	L	IO-360-CB (TCM)	P3084336-21	D2AF34C308/90DEA-12	78.0	76.5	30		11.3	15.0	82.3			DCFUS310D13/T5 DCFUS310D7/T5 DCFUS310D4/T5 DCFS310D7/T5 DCFS310D4/T5		
P337H (rear) "Pressurized Skymaster"	L	IO-360-C (TCM)	P3054231-11	D2AF34C305/L78CBA-2	76.0	74.0	30		12.5	15.5	80.0			DCFS310D8/T1		
P337H (rear) "Pressurized Skymaster"	L	IO-360-CB (TCM)	P3054231-11	D2AF34C305/L78CBA-2	76.0	74.0	30		12.5	15.5	80.0			DCFS310D8/T1		
T337B (front) "Turbo Skymaster"	L	TSIO-360-A (TCM)	OBSOLETE	D2AF34C91/76C-0	76.0	74.5	30		12.7	15.7	79.0			DCFUS310D13/T5 DCFUS310D7/T5 CFUS310D2/T5 DCFU310D13/T5 DCFU310D7/T5 CFU310D2/T5 DCFS310D7/T5 DCFS310D4/T5 CFS310D2/T5 DCF310D7/T1 CF310D2/T1 CF310D1/T1		1
T337B (front) "Turbo Skymaster"	L	TSIO-360-A (TCM)	P3044336-11	D2AF34C304/76CTA-0	76.0	75.0	30		12.7	15.7	79.0			DCFUS310D13/T5 DCFUS310D7/T5 CFUS310D2/T5 DCFU310D13/T5 DCFU310D7/T5 CFU310D2/T5 DCFS310D7/T5 DCFS310D4/T5 CFS310D2/T5 DCF310D7/T1 CF310D2/T1 CF310D1/T1		
T337B (front) "Turbo Skymaster"	L	TSIO-360-AB (TCM)	OBSOLETE	D2AF34C91/76C-0	76.0	74.5	30		12.7	15.7	79.0			DCFUS310D13/T5 DCFUS310D7/T5 CFUS310D2/T5 DCFU310D13/T5 DCFU310D7/T5 CFU310D2/T5 DCFS310D7/T5 DCFS310D4/T5 CFS310D2/T5 DCF310D7/T1 CF310D2/T1 CF310D1/T1		1

Constant Speed Propeller Applications

Aircraft		Engine		Part Number	Model	Diameter		Ref	Blade Angles			Spinner		Governors	STC Number STC Holder STC Kit P/N	Notes
Model	T Y P E	Model (Make)	Model			Max	Min		Sta	Rev	Low or Flight Idle	Latch or Start Locks	High or Feather			
T337B (front) "Turbo Skymaster"	L	TSIO-360-AB (TCM)	P3044336-11	D2AF34C304/76CTA-0	76.0	75.0	30		12.7	15.7	79.0		DCFUS310D13/T5 DCFUS310D7/T5 CFUS310D2/T5 DCFU310D13/T5 DCFU310D7/T5 CFU310D2/T5 DCFS310D7/T5 DCFS310D4/T5 CFS310D2/T5 DCF310D7/T1 CF310D2/T1 CF310D1/T1			
T337B (rear) "Turbo Skymaster"	L	TSIO-360-A (TCM)	OBSOLETE	D2AF34C61/L76C-0	76.0	74.5	30		11.8	16.0	79.0		CF310D2/T1 CF310D1/T1		1	
T337B (rear) "Turbo Skymaster"	L	TSIO-360-A (TCM)	P3024231-02	D2AF34C302/L76CTA-0	76.0	75.0	30		11.8	15.8	79.0		CF310D2/T1 CF310D1/T1			
T337B (rear) "Turbo Skymaster"	L	TSIO-360-AB (TCM)	OBSOLETE	D2AF34C61/L76C-0	76.0	74.5	30		11.8	16.0	79.0		CF310D2/T1 CF310D1/T1		1	
T337B (rear) "Turbo Skymaster"	L	TSIO-360-AB (TCM)	P3024231-02	D2AF34C302/L76CTA-0	76.0	75.0	30		11.8	15.8	79.0		CF310D2/T1 CF310D1/T1			
T337B (rear) "Turbo Skymaster"	L	TSIO-360-B (TCM)	OBSOLETE	D2AF34C61/L76C-0	76.0	74.5	30		11.8	16.0	79.0		CF310D2/T1 CF310D1/T1		1	
T337B (rear) "Turbo Skymaster"	L	TSIO-360-B (TCM)	P3024231-02	D2AF34C302/L76CTA-0	76.0	75.0	30		11.8	15.8	79.0		CF310D2/T1 CF310D1/T1			
T337B (rear) "Turbo Skymaster"	L	TSIO-360-BB (TCM)	OBSOLETE	D2AF34C61/L76C-0	76.0	74.5	30		11.8	16.0	79.0		CF310D2/T1 CF310D1/T1		1	
T337B (rear) "Turbo Skymaster"	L	TSIO-360-BB (TCM)	P3024231-02	D2AF34C302/L76CTA-0	76.0	75.0	30		11.8	15.8	79.0		CF310D2/T1 CF310D1/T1			
T337C (front) "Turbo Skymaster"	L	TSIO-360-A (TCM)	OBSOLETE	D2AF34C91/76C-0	76.0	74.5	30		12.7	15.7	79.0		DCFUS310D13/T5 DCFUS310D7/T5 CFUS310D2/T5 DCFU310D13/T5 DCFU310D7/T5 CFU310D2/T5 DCFS310D7/T5 DCFS310D4/T5 CFS310D2/T5 DCF310D7/T1 CF310D2/T1 CF310D1/T1		1	
T337C (front) "Turbo Skymaster"	L	TSIO-360-A (TCM)	P3044336-11	D2AF34C304/76CTA-0	76.0	75.0	30		12.7	15.7	79.0		DCFUS310D13/T5 DCFUS310D7/T5 CFUS310D2/T5 DCFU310D13/T5 DCFU310D7/T5 CFU310D2/T5 DCFS310D7/T5 DCFS310D4/T5 CFS310D2/T5 DCF310D7/T1 CF310D2/T1 CF310D1/T1			

Constant Speed Propeller Applications

Aircraft		Engine		Part Number	Model	Diameter		Ref		Blade Angles			Spinner		Governors	STC Number STC Holder STC Kit P/N	Notes
Model	TYPE	Model (Make)	Model (Make)			Max	Min	Sta	Rev	Low or Flight Idle	Latch or Start Locks	High or Feather	Assembly P/N	Type			
T337C (front) "Turbo Skymaster"	L	TSIO-360-AB (TCM)	OBSOLETE	D2AF34C91/76C-0	76.0	74.5	30			12.7	15.7	79.0			DCFUS310D13/T5 DCFUS310D7/T5 CFUS310D2/T5 DCFU310D13/T5 DCFU310D7/T5 CFU310D2/T5 DCFS310D7/T5 DCFS310D4/T5 CFS310D2/T5 DCF310D7/T1 CF310D2/T1 CF310D1/T1		1
T337C (front) "Turbo Skymaster"	L	TSIO-360-AB (TCM)	P3044336-11	D2AF34C304/76CTA-0	76.0	75.0	30			12.7	15.7	79.0			DCFUS310D13/T5 DCFUS310D7/T5 CFUS310D2/T5 DCFU310D13/T5 DCFU310D7/T5 CFU310D2/T5 DCFS310D7/T5 DCFS310D4/T5 CFS310D2/T5 DCF310D7/T1 CF310D2/T1 CF310D1/T1		
T337C (rear) "Turbo Skymaster"	L	TSIO-360-A (TCM)	OBSOLETE	D2AF34C61/L76C-0	76.0	74.5	30			11.8	16.0	79.0			CF310D2/T1 CF310D1/T1		1
T337C (rear) "Turbo Skymaster"	L	TSIO-360-A (TCM)	P3024231-02	D2AF34C302/L76CTA-0	76.0	75.0	30			11.8	15.8	79.0			CF310D2/T1 CF310D1/T1		
T337C (rear) "Turbo Skymaster"	L	TSIO-360-AB (TCM)	OBSOLETE	D2AF34C61/L76C-0	76.0	74.5	30			11.8	16.0	79.0			CF310D2/T1 CF310D1/T1		1
T337C (rear) "Turbo Skymaster"	L	TSIO-360-AB (TCM)	P3024231-02	D2AF34C302/L76CTA-0	76.0	75.0	30			11.8	15.8	79.0			CF310D2/T1 CF310D1/T1		
T337D (front) "Turbo Skymaster"	L	TSIO-360-A (TCM)	OBSOLETE	D2AF34C91/76C-0	76.0	74.5	30			12.7	15.7	79.0			DCFUS310D13/T5 DCFUS310D7/T5 CFUS310D2/T5 DCFU310D13/T5 DCFU310D7/T5 CFU310D2/T5 DCFS310D7/T5 DCFS310D4/T5 CFS310D2/T5 DCF310D7/T1 CF310D2/T1 CF310D1/T1		1

Constant Speed Propeller Applications

Aircraft		Engine		Part Number	Model	Diameter		Ref		Blade Angles			Spinner		Governors	STC Number STC Holder STC Kit P/N	Notes
Model	TYPE	Model (Make)	Model			Max	Min	Sta	Rev	Low or Flight Idle	Latch or Start Locks	High or Feather	Assembly P/N	Type			
T337D (front) "Turbo Skymaster"	L	TSIO-360-A (TCM)	P3044336-11	D2AF34C304/76CTA-0	76.0	75.0	30		12.7	15.7	79.0		DCFUS310D13/T5 DCFUS310D7/T5 CFUS310D2/T5 DCFU310D13/T5 DCFU310D7/T5 CFU310D2/T5 DCFS310D7/T5 DCFS310D4/T5 CFS310D2/T5 DCF310D7/T1 CF310D2/T1 CF310D1/T1				
T337D (front) "Turbo Skymaster"	L	TSIO-360-AB (TCM)	OBSOLETE	D2AF34C91/76C-0	76.0	74.5	30		12.7	15.7	79.0		DCFUS310D13/T5 DCFUS310D7/T5 CFUS310D2/T5 DCFU310D13/T5 DCFU310D7/T5 CFU310D2/T5 DCFS310D7/T5 DCFS310D4/T5 CFS310D2/T5 DCF310D7/T1 CF310D2/T1 CF310D1/T1		1		
T337D (front) "Turbo Skymaster"	L	TSIO-360-AB (TCM)	P3044336-11	D2AF34C304/76CTA-0	76.0	75.0	30		12.7	15.7	79.0		DCFUS310D13/T5 DCFUS310D7/T5 CFUS310D2/T5 DCFU310D13/T5 DCFU310D7/T5 CFU310D2/T5 DCFS310D7/T5 DCFS310D4/T5 CFS310D2/T5 DCF310D7/T1 CF310D2/T1 CF310D1/T1				
T337D (rear) "Turbo Skymaster"	L	TSIO-360-A (TCM)	OBSOLETE	D2AF34C61/L76C-0	76.0	74.5	30		11.8	16.0	79.0		CF310D2/T1 CF310D1/T1		1		
T337D (rear) "Turbo Skymaster"	L	TSIO-360-A (TCM)	P3024231-02	D2AF34C302/L76CTA-0	76.0	75.0	30		11.8	15.8	79.0		CF310D2/T1 CF310D1/T1				
T337D (rear) "Turbo Skymaster"	L	TSIO-360-AB (TCM)	OBSOLETE	D2AF34C61/L76C-0	76.0	74.5	30		11.8	16.0	79.0		CF310D2/T1 CF310D1/T1		1		
T337D (rear) "Turbo Skymaster"	L	TSIO-360-AB (TCM)	P3024231-02	D2AF34C302/L76CTA-0	76.0	75.0	30		11.8	15.8	79.0		CF310D2/T1 CF310D1/T1				

Constant Speed Propeller Applications

Aircraft		Engine		Part Number	Model	Diameter		Ref		Blade Angles			Spinner		Governors	STC Number STC Holder STC Kit P/N	Notes
Model	TYPE	Model (Make)	Model (Make)			Max	Min	Sta	Rev	Low or Flight Idle	Latch or Start Locks	High or Feather	Assembly P/N	Type			
T337E (front) "Turbo Skymaster"	L	TSIO-360-A (TCM)	OBSOLETE	D2AF34C91/76C-0	76.0	74.5	30		12.7	15.7	79.0			DCFUS310D13/T5 DCFUS310D7/T5 CFUS310D2/T5 DCFU310D13/T5 DCFU310D7/T5 CFU310D2/T5 DCFS310D7/T5 DCFS310D4/T5 CFS310D2/T5 DCF310D7/T1 CF310D2/T1 CF310D1/T1		1	
T337E (front) "Turbo Skymaster"	L	TSIO-360-A (TCM)	P3044336-11	D2AF34C304/76CTA-0	76.0	75.0	30		12.7	15.7	79.0			DCFUS310D13/T5 DCFUS310D7/T5 CFUS310D2/T5 DCFU310D13/T5 DCFU310D7/T5 CFU310D2/T5 DCFS310D7/T5 DCFS310D4/T5 CFS310D2/T5 DCF310D7/T1 CF310D2/T1 CF310D1/T1			
T337E (front) "Turbo Skymaster"	L	TSIO-360-AB (TCM)	OBSOLETE	D2AF34C91/76C-0	76.0	74.5	30		12.7	15.7	79.0			DCFUS310D13/T5 DCFUS310D7/T5 CFUS310D2/T5 DCFU310D13/T5 DCFU310D7/T5 CFU310D2/T5 DCFS310D7/T5 DCFS310D4/T5 CFS310D2/T5 DCF310D7/T1 CF310D2/T1 CF310D1/T1		1	
T337E (front) "Turbo Skymaster"	L	TSIO-360-AB (TCM)	P3044336-11	D2AF34C304/76CTA-0	76.0	75.0	30		12.7	15.7	79.0			DCFUS310D13/T5 DCFUS310D7/T5 CFUS310D2/T5 DCFU310D13/T5 DCFU310D7/T5 CFU310D2/T5 DCFS310D7/T5 DCFS310D4/T5 CFS310D2/T5 DCF310D7/T1 CF310D2/T1 CF310D1/T1			
T337E (rear) "Turbo Skymaster"	L	TSIO-360-A (TCM)	OBSOLETE	D2AF34C61/L76C-0	76.0	74.5	30		11.8	16.0	79.0			CF310D2/T1 CF310D1/T1		1	
T337E (rear) "Turbo Skymaster"	L	TSIO-360-A (TCM)	P3024231-02	D2AF34C302/L76CTA-0	76.0	75.0	30		11.8	15.8	79.0			CF310D2/T1 CF310D1/T1			

Constant Speed Propeller Applications

Aircraft		Engine		Part Number	Model	Diameter		Ref		Blade Angles			Spinner		Governors	STC Number STC Holder STC Kit P/N	Notes
Model	T Y P E	Model (Make)	Model (Make)			Max	Min	Sta	Rev	Low or Flight Idle	Latch or Start Locks	High or Feather	Assembly P/N	T y p e			
T337E (rear) "Turbo Skymaster"	L	TSIO-360-AB (TCM)	OBSOLETE	D2AF34C61/L76C-0	76.0	74.5	30		11.8	16.0	79.0			CF310D2/T1 CF310D1/T1		1	
T337E (rear) "Turbo Skymaster"	L	TSIO-360-AB (TCM)	P3024231-02	D2AF34C302/L76CTA-0	76.0	75.0	30		11.8	15.8	79.0			CF310D2/T1 CF310D1/T1			
T337F (front) "Turbo Skymaster"	L	TSIO-360-A (TCM)	OBSOLETE	D2AF34C91/76C-0	76.0	74.5	30		12.7	15.7	79.0			DCFUS310D13/T5 DCFUS310D7/T5 CFUS310D2/T5 DCFU310D13/T5 DCFU310D7/T5 CFU310D2/T5 DCFS310D7/T5 DCFS310D4/T5 CFS310D2/T5 DCF310D7/T1 CF310D2/T1 CF310D1/T1		1	
T337F (front) "Turbo Skymaster"	L	TSIO-360-A (TCM)	P3044336-11	D2AF34C304/76CTA-0	76.0	75.0	30		12.7	15.7	79.0			DCFUS310D13/T5 DCFUS310D7/T5 CFUS310D2/T5 DCFU310D13/T5 DCFU310D7/T5 CFU310D2/T5 DCFS310D7/T5 DCFS310D4/T5 CFS310D2/T5 DCF310D7/T1 CF310D2/T1 CF310D1/T1			
T337F (front) "Turbo Skymaster"	L	TSIO-360-AB (TCM)	OBSOLETE	D2AF34C91/76C-0	76.0	74.5	30		12.7	15.7	79.0			DCFUS310D13/T5 DCFUS310D7/T5 CFUS310D2/T5 DCFU310D13/T5 DCFU310D7/T5 CFU310D2/T5 DCFS310D7/T5 DCFS310D4/T5 CFS310D2/T5 DCF310D7/T1 CF310D2/T1 CF310D1/T1		1	
T337F (front) "Turbo Skymaster"	L	TSIO-360-AB (TCM)	P3044336-11	D2AF34C304/76CTA-0	76.0	75.0	30		12.7	15.7	79.0			DCFUS310D13/T5 DCFUS310D7/T5 CFUS310D2/T5 DCFU310D13/T5 DCFU310D7/T5 CFU310D2/T5 DCFS310D7/T5 DCFS310D4/T5 CFS310D2/T5 DCF310D7/T1 CF310D2/T1 CF310D1/T1			

Constant Speed Propeller Applications

Aircraft		Engine			Diameter		Ref		Blade Angles			Spinner		Governors	STC Number STC Holder STC Kit P/N	Notes
Model	TYPE	Model (Make)	Part Number	Model	Max	Min	Sta	Rev	Low or Flight Idle	Latch or Start Locks	High or Feather	Assembly P/N	Type			
T337F (rear) "Turbo Skymaster"	L	TSIO-360-A (TCM)	OBSOLETE	D2AF34C61/L76C-0	76.0	74.5	30		11.8	16.0	79.0			CF310D2/T1 CF310D1/T1		1
T337F (rear) "Turbo Skymaster"	L	TSIO-360-A (TCM)	P3024231-02	D2AF34C302/L76CTA-0	76.0	75.0	30		11.8	15.8	79.0			CF310D2/T1 CF310D1/T1		
T337F (rear) "Turbo Skymaster"	L	TSIO-360-AB (TCM)	OBSOLETE	D2AF34C61/L76C-0	76.0	74.5	30		11.8	16.0	79.0			CF310D2/T1 CF310D1/T1		1
T337F (rear) "Turbo Skymaster"	L	TSIO-360-AB (TCM)	P3024231-02	D2AF34C302/L76CTA-0	76.0	75.0	30		11.8	15.8	79.0			CF310D2/T1 CF310D1/T1		
T337G (front) (S/N P3370001 - P3370257, except P3370196) "Turbo Skymaster"	L	TSIO-360-C (TCM)	P3034336-01	D2AF34C303/78CAA-0	78.0	76.0	30		12.5	15.5	82.0			DCFUS310D13/T5 DCFUS310D7/T5 CFUS310D2/T5 DCFU310D13/T5 DCFU310D7/T5 CFU310D2/T5 DCFS310D7/T5 DCFS310D4/T5 CFS310D2/T5 DCF310D7/T1 CF310D2/T1 CF310D1/T1		
T337G (front) (S/N P3370001 - P3370257, except P3370196) "Turbo Skymaster"	L	TSIO-360-CB (TCM)	P3034336-01	D2AF34C303/78CAA-0	78.0	76.0	30		12.5	15.5	82.0			DCFUS310D13/T5 DCFUS310D7/T5 CFUS310D2/T5 DCFU310D13/T5 DCFU310D7/T5 CFU310D2/T5 DCFS310D7/T5 DCFS310D4/T5 CFS310D2/T5 DCF310D7/T1 CF310D2/T1 CF310D1/T1		
T337G (front) (S/N P3370258 AND UP) "Turbo Skymaster"	L	TSIO-360-C (TCM)	P3084336-21	D2AF34C308/90DEA-12	78.0	76.5	30		11.3	15.0	82.3			DCFUS310D13/T5 DCFUS310D7/T5 CFUS310D2/T5 DCFU310D13/T5 DCFU310D7/T5 CFU310D2/T5 DCFS310D7/T5 DCFS310D4/T5 CFS310D2/T5 DCF310D7/T1 CF310D2/T1 CF310D1/T1		

Constant Speed Propeller Applications

Aircraft		Engine		Part Number	Model	Diameter		Ref		Blade Angles			Spinner		Governors	STC Number STC Holder STC Kit P/N	Notes
Model	TYPE	Model (Make)	Model (Make)			Max	Min	Sta	Rev	Low or Flight Idle	Latch or Start Locks	High or Feather	Assembly P/N	Type			
T337G (front) (S/N P3370258 AND UP) "Turbo Skymaster"	L	TSIO-360-CB (TCM)	P3084336-21	D2AF34C308/90DEA-12	78.0	76.5	30		11.3	15.0	82.3			DCFUS310D13/T5 DCFUS310D7/T5 CFUS310D2/T5 DCFU310D13/T5 DCFU310D7/T5 CFU310D2/T5 DCFS310D7/T5 DCFS310D4/T5 CFS310D2/T5 DCF310D7/T1 CF310D2/T1 CF310D1/T1			
T337G (rear) "Turbo Skymaster"	L	TSIO-360-C (TCM)	P3054231-11	D2AF34C305/L78CBA-2	76.0	74.0	30		12.5	15.5	80.0			S/N P3370149 and up DCFS310D3/T1 S/N P3370001 - P3370148 DCF310D7/T1 CF310D2/T1 CF310D1/T1			
T337G (rear) "Turbo Skymaster"	L	TSIO-360-CB (TCM)	P3054231-11	D2AF34C305/L78CBA-2	76.0	74.0	30		12.5	15.5	80.0			S/N P3370149 and up DCFS310D3/T1 S/N P3370001 - P3370148 DCF310D7/T1 CF310D2/T1 CF310D1/T1			
T337H (front) "Turbo Skymaster"	L	IO-360-H (TCM)	P3084336-21	D2AF34C308/90DEA-12	78.0	76.5	30		11.3	15.0	82.3			DCFUS310D13/T5 DCFUS310D7/T5 DCFUS310D4/T5 DCFU310D13/T5 DCFU310D7/T5 CFU310D2/T5 DCFS310D7/T5 DCFS310D4/T5 DCF310D7/T1 CF310D2/T1			
T337H (front) "Turbo Skymaster"	L	IO-360-HB (TCM)	P3084336-21	D2AF34C308/90DEA-12	78.0	76.5	30		11.3	15.0	82.3			DCFUS310D13/T5 DCFUS310D7/T5 DCFUS310D4/T5 DCFU310D13/T5 DCFU310D7/T5 CFU310D2/T5 DCFS310D7/T5 DCFS310D4/T5 DCF310D7/T1 CF310D2/T1			
T337H (rear) "Turbo Skymaster"	L	IO-360-H (TCM)	P3054231-11	D2AF34C305/L78CBA-2	76.0	74.0	30		12.5	15.5	80.0			DCF310D7/T1			
T337H (rear) "Turbo Skymaster"	L	IO-360-HB (TCM)	P3054231-11	D2AF34C305/L78CBA-2	76.0	74.0	30		12.5	15.5	80.0			DCF310D7/T1			
T337H-SP (front)	L	IO-360-JB (TCM)	P3084336-21	D2AF34C308/90DEA-12	78.0	76.5	30		11.3	15.0	82.3			DCFU310D13/T5 DCFU310D7/T5			
T337H-SP (rear)	L	IO-360-JB (TCM)	P3054231-11	D2AF34C305/L78CBA-2	76.0	74.0	30		12.5	15.5	80.0			DCFU310D13/T1 DCFU310D7/T1			

Constant Speed Propeller Applications

Aircraft		Engine		Part Number	Model	Diameter		Ref		Blade Angles			Spinner		Governors	STC Number STC Holder STC Kit P/N	Notes
Model	T Y P E	Model (Make)	Model (Make)			Max	Min	Sta	Rev	Low or Flight Idle	Latch or Start Locks	High or Feather	Assembly P/N	T y p e			
340	L	TSIO-520-J (TCM)		OBSOLETE	3AF32C87/82NC-4	78.0		30								SA2346SW Ram Aircraft	1
340	L	TSIO-520-J (TCM)			3AF32C515/82NLA-4	78.0		30								SA8981SW Ram Aircraft	
340	L	TSIO-520-K (TCM)		OBSOLETE	D2AF34C71/84JF-3	81.0	79.0	30		13.3	17.1	82.7	D-3819	E,S	DCFS290D7/T3 DCFS290D1/T3 DCFUS290D13/T3 DCFUS290D7/T13 DCFUS290D1/T3		1
340	L	TSIO-520-K (TCM)		OBSOLETE	3AF32C87/82NC-4	78.0	74.0	30		13.0	17.3	82.6	D-3797	E,S	DCFS290D7/T3 DCFS290D1/T3 DCFUS290D13/T3 DCFUS290D7/T13 DCFUS290D1/T3		1
340	L	TSIO-520-K (TCM)		P5045186-02 P5045186-0219	3AF32C504/82NEA-4	78.0	74.0	30		13.0	16.1	82.6	D-3797	E,S	DCFS290D7/T3 DCFS290D1/T3 DCFUS290D13/T3 DCFUS290D7/T13 DCFUS290D1/T3		
340	L	TSIO-520-KB (TCM)		OBSOLETE	D2AF34C71/84JF-3	81.0	79.0	30		13.3	17.1	82.7	D-3819	E,S	DCFS290D7/T3 DCFS290D1/T3 DCFUS290D13/T3 DCFUS290D7/T13 DCFUS290D1/T3		1
340	L	TSIO-520-KB (TCM)		OBSOLETE	3AF32C87/82NC-4	78.0	74.0	30		13.0	17.3	82.6	D-3797	E,S	DCFS290D7/T3 DCFS290D1/T3 DCFUS290D13/T3 DCFUS290D7/T13 DCFUS290D1/T3		1
340	L	TSIO-520-KB (TCM)		P5045186-02 P5045186-0219	3AF32C504/82NEA-4	78.0	74.0	30		13.0	16.1	82.6	D-3797	E,S	DCFS290D7/T3 DCFS290D1/T3 DCFUS290D13/T3 DCFUS290D7/T13 DCFUS290D1/T3		
340	L	TSIO-520-N (TCM)		OBSOLETE	3AF32C87/82NC-5.5	76.5		30								SA2346SW Ram Aircraft	1
340	L	TSIO-520-N (TCM)		OBSOLETE	3AF32C93/82NC-5.5	76.5		30								SA2346SW Ram Aircraft	1
340	L	TSIO-520-N (TCM)			3AF32C505/82NEA-5.5	76.5		30								SA2346SW Ram Aircraft	
340	L	TSIO-520-N (TCM)			3AF32C515/82NLA-4	78.0		30								SA8981SW Ram Aircraft	
340	L	TSIO-520-N (STC)		OBSOLETE	3AF32C93/82NC-6.0	76.0	75.0	30								SA7382SW Ram Aircraft	1
340	L	TSIO-520-N (STC)			3AF32C505/82NEA-6.0	76.0	75.0	30								SA7382SW Ram Aircraft	
340	L	TSIO-520-NB (TCM)		OBSOLETE	3AF32C87/82NC-5.5	76.5		30								SA2346SW Ram Aircraft	1
340	L	TSIO-520-NB (TCM)		OBSOLETE	3AF32C93/82NC-5.5	76.5		30								SA2346SW Ram Aircraft	1
340	L	TSIO-520-NB (TCM)			3AF32C505/82NEA-5.5	76.5		30								SA2346SW Ram Aircraft	

Constant Speed Propeller Applications

Aircraft		Engine		Part Number	Model	Diameter		Ref		Blade Angles			Spinner		Governors	STC Number STC Holder STC Kit P/N	Notes
Model	T Y P E	Model (Make)				Max	Min	Sta	Rev	Low or Flight Idle	Latch or Start Locks	High or Feather	Assembly P/N	T y p e			
340	L	TSIO-520-NB (TCM)			3AF32C515/82NLA-4	78.0		30								SA8981SW Ram Aircraft	
340	L	TSIO-520-NB (STC)	OBSOLETE		3AF32C93/82NC-6.0	76.0	75.0	30								SA7382SW Ram Aircraft	1
340	L	TSIO-520-NB (STC)	OBSOLETE		3AF32C93/82NC-6.0	76.0	75.0	30		14.9	18.3	81.2	D-5215	E,P		SA8604SW Ram Aircraft	1 110
340	L	TSIO-520-NB (STC)		P5055186-06 P5055186-0619	3AF32C505/82NEA-6.0	76.0	75.0	30		14.9	18.2	81.2	D-5215	E,P		SA8604SW Ram Aircraft	
340	L	TSIO-520-NB (STC)			3AF32C505/82NEA-6.0	76.0	75.0	30								SA7382SW Ram Aircraft	
340	L	TSIO-520-NB (STC)		P5155186-01 P5155186-0119	3AF32C515/82NLA-4	78.0	76.5	30		14.0	17.4	82.2	D-5215	E,P		SA8604SW Ram Aircraft	111
340	L	TSIO-520-NB (STC)			3AF32C515/82NLA-4	78.0	76.5	30								SA8989SW Ram Aircraft	
340A (S/N 340A0001 - 340A0600)	L	TSIO-520-N (TCM)	OBSOLETE		3AF32C93/82NC-5.5	76.5	75.0	30		14.9	18.4	81.2	D-3797	E,S	DCFS290D8/T3 DCFS290D7/T3 DCFS290D5/T3 DCFS290D4/T3 DCFUS290D13/T3 DCFUS290D12/T3 DCFUS290D8/T3 DCFUS290D7/T3 DCFUS290D5/T3 DCFUS290D4/T3		1
340A (S/N 340A0001 - 340A0600)	L	TSIO-520-N (TCM)	OBSOLETE		3AF32C93/82NC-6.5	75.5	75.0	30		15.2	18.4	81.2	D-3797	E,S	DCFS290D8/T3 DCFS290D7/T3 DCFS290D5/T3 DCFS290D4/T3 DCFUS290D13/T3 DCFUS290D12/T3 DCFUS290D8/T3 DCFUS290D7/T3 DCFUS290D5/T3 DCFUS290D4/T3		1
340A (S/N 340A0001 - 340A0600)	L	TSIO-520-N (TCM)		P5055186-01 P5055186-0119	3AF32C505/82NEA-5.5	76.5	75.0	30		14.9	18.2	81.2	D-3797	E,S	DCFS290D8/T3 DCFS290D7/T3 DCFS290D5/T3 DCFS290D4/T3 DCFUS290D13/T3 DCFUS290D12/T3 DCFUS290D8/T3 DCFUS290D7/T3 DCFUS290D5/T3 DCFUS290D4/T3		

Constant Speed Propeller Applications

Aircraft		Engine		Part Number	Model	Diameter		Ref		Blade Angles			Spinner		Governors	STC Number STC Holder STC Kit P/N	Notes
Model	TYPE	Model (Make)	Model (Make)			Max	Min	Sta	Rev	Low or Flight Idle	Latch or Start Locks	High or Feather	Assembly P/N	Type			
340A (S/N 340A0001 - 340A0600)	L	TSIO-520-N (TCM)	P5055186-04 P5055186-0419	3AF32C505/82NEA-6.5	75.5	75.0	30		15.2	18.5	81.2	D-3797	E,S	DCFS290D8/T3 DCFS290D7/T3 DCFS290D5/T3 DCFS290D4/T3 DCFUS290D13/T3 DCFUS290D12/T3 DCFUS290D8/T3 DCFUS290D7/T3 DCFUS290D5/T3 DCFUS290D4/T3			
340A		TSIO-520-N (STC)		3AF32C93/82NC-6.0	76.0	75.0	30									SA7365SW Ram Aircraft	1
340A		TSIO-520-N (STC)		3AF32C505/82NEA-6.0	76.0	75.0	30									SA7365SW Ram Aircraft	
340A (All S/N's)	L	TSIO-520-NB (TCM)	OBSOLETE	3AF32C93/82NC-5.5	76.5	75.0	30		14.9	18.4	81.2	D-3797	E,S	S/N 340A0001 - 340A1500 DCFS290D8/T3 DCFS290D7/T3 DCFS290D5/T3 DCFS290D4/T3 DCFUS290D13/T3 DCFUS290D12/T3 DCFUS290D8/T3 DCFUS290D7/T3 DCFUS290D5/T3 DCFUS290D4/T3 S/N 340A1501 and up DCFS290D9/T3 DCFUS290D9/T3		1	
340A (All S/N's)	L	TSIO-520-NB (TCM)	OBSOLETE	3AF32C93/82NC-6.5	75.5	75.0	30		15.2	18.4	81.2	D-3797	E,S	S/N 340A0001 - 340A1500 DCFS290D8/T3 DCFS290D7/T3 DCFS290D5/T3 DCFS290D4/T3 DCFUS290D13/T3 DCFUS290D12/T3 DCFUS290D8/T3 DCFUS290D7/T3 DCFUS290D5/T3 DCFUS290D4/T3 S/N 340A1501 and up DCFS290D9/T3 DCFUS290D9/T3		1	

Constant Speed Propeller Applications

Aircraft		Engine		Part Number	Model	Diameter		Ref		Blade Angles			Spinner		Governors	STC Number STC Holder STC Kit P/N	Notes
Model	T Y P E	Model (Make)	Model (Make)			Max	Min	Sta	Rev	Low or Flight Idle	Latch or Start Locks	High or Feather	Assembly P/N	T y p e			
340A (All S/N's)	L	TSIO-520-NB (TCM)	P5055186-01 P5055186-0119	3AF32C505/82NEA-5.5	76.5	75.0	30		14.9	18.2	81.2	D-3797	E.S	S/N 340A0001 - 340A1500 DCFS290D8/T3 DCFS290D7/T3 DCFS290D5/T3 DCFS290D4/T3 DCFUS290D13/T3 DCFUS290D12/T3 DCFUS290D8/T3 DCFUS290D7/T3 DCFUS290D5/T3 DCFUS290D4/T3 S/N 340A1501 and up DCFS290D9/T3 DCFUS290D9/T3			
340A (All S/N's)	L	TSIO-520-NB (TCM)	P5055186-04 P5055186-0419	3AF32C505/82NEA-6.5	75.5	75.0	30		15.2	18.5	81.2	D-3797	E.S	S/N 340A0001 - 340A1500 DCFS290D8/T3 DCFS290D7/T3 DCFS290D5/T3 DCFS290D4/T3 DCFUS290D13/T3 DCFUS290D12/T3 DCFUS290D8/T3 DCFUS290D7/T3 DCFUS290D5/T3 DCFUS290D4/T3 S/N 340A1501 and up DCFS290D9/T3 DCFUS290D9/T3			
340A		TSIO-520-NB (STC)		3AF32C93/82NC-6.0	76.0	75.0	30								SA7365SW Ram Aircraft	1	
340A		TSIO-520-NB (STC)	OBSOLETE	3AF32C93/82NC-6.0	76.0	75.0	30		14.9	18.3	81.2	D-5215	E.P		SA8604SW Ram Aircraft	1 110	
340A		TSIO-520-NB (STC)		3AF32C505/82NEA-6.0	76.0	75.0	30								SA7365SW Ram Aircraft		
340A		TSIO-520-NB (STC)	P5055186-06 P5055186-0619	3AF32C505/82NEA-6.0	76.0	75.0	30		14.9	18.2	81.2	D-5215	E.P		SA8604SW Ram Aircraft		
340A		TSIO-520-NB (STC)	P5155186-01 P5155186-0119	3AF32C515/82NLA-4	78.0	76.5	30		14.0	17.4	82.2	D-5215	E.P		SA8604SW Ram Aircraft	111	
340A		TSIO-520-NB (STC)		3AF32C515/82NLA-4	78.0	76.5	30								SA8989SW Ram Aircraft		
350 "LC42-550FG" "Corvalis"	L	IO-550-N (TCM)	P4447800-01 P4447800-0160 P4447800-0161	D3A34C444/78MLA-0	78.0	76.5	30		11.6		31.6	E-7819	E,P	C290D3/T43	SA01390WI McCaughey PL60348 PL60349 PL60350		
400 "LC41-550FG" "Corvalis TT"	L	TSIO-550-C (TCM)	P4477837-02 P4477837-0260 P4477837-0261	D3A34C447/78MLB-0	78.0	76.5	30		14.9		36.5	E-7819	E,P		SA01511WI McCaughey PL60358 PL60359 PL60361		

Constant Speed Propeller Applications

Aircraft		Engine		Part Number	Model	Diameter		Ref		Blade Angles			Spinner		Governors	STC Number STC Holder STC Kit P/N	Notes
Model	Type	Model (Make)	Model (Make)			Max	Min	Sta	Rev	Low or Flight Idle	Latch or Start Locks	High or Feather	Assembly P/N	Type			
401	L	TSIO-520-E (TCM)	OBSOLETE	3AF32C87/82NC-5.5	76.5	74.0	30		14.2	17.3	81.2	D-3538 D-3797 D-5215	E,S E,S E,P			1 15	
401	L	TSIO-520-E (TCM)	P5045186-03 P5045186-0319	3AF32C504/82NEA-5.5	76.5	74.0	30		14.2	17.3	81.2	D-3538 D-3797 D-5215	E,S E,S E,P			15	
401	L	TSIO-520-EB (TCM)	OBSOLETE	3AF32C87/82NC-5.5	76.5	74.0	30		14.2	17.3	81.2	D-3538 D-3797 D-5215	E,S E,S E,P			1 15	
401	L	TSIO-520-EB (TCM)	P5045186-03 P5045186-0319	3AF32C504/82NEA-5.5	76.5	74.0	30		14.2	17.3	81.2	D-3538 D-3797 D-5215	E,S E,S E,P			15	
401A	L	TSIO-520-E (TCM)	OBSOLETE	3AF32C87/82NC-5.5	76.5	74.0	30		14.2	17.3	81.2	D-3538 D-3797 D-5215	E,S E,S E,P	DCF290D7/T3 DCF290D2/T3 DCF290D1/T3 DCFU290D13/T3 DCFU290D7/T3 DCFU290D2/T3 DCFU290D1/T3 DCFS290D7/T3 DCFS290D2/T3 DCFS290D1/T3 DCFUS290D13/T3 DCFUS290D7/T3 DCFUS290D2/T3 DCFUS290D1/T3		1 15	
401A	L	TSIO-520-E (TCM)	P5045186-03 P5045186-0319	3AF32C504/82NEA-5.5	76.5	74.0	30		14.2	17.3	81.2	D-3538 D-3797 D-5215	E,S E,S E,P	DCF290D7/T3 DCF290D2/T3 DCF290D1/T3 DCFU290D13/T3 DCFU290D7/T3 DCFU290D2/T3 DCFU290D1/T3 DCFS290D7/T3 DCFS290D2/T3 DCFS290D1/T3 DCFUS290D13/T3 DCFUS290D7/T3 DCFUS290D2/T3 DCFUS290D1/T3		15	

Constant Speed Propeller Applications

Aircraft		Engine		Part Number	Model	Diameter		Ref		Blade Angles			Spinner		Governors	STC Number STC Holder STC Kit P/N	Notes
Model	TYPE	Model (Make)	Model (Make)			Max	Min	Sta	Rev	Low or Flight Idle	Latch or Start Locks	High or Feather	Assembly P/N	Type			
401A	L	TSIO-520-EB (TCM)	OBSOLETE	3AF32C87/82NC-5.5	76.5	74.0	30		14.2	17.3	81.2	D-3538 D-3797 D-5215	E,S E,S E,P	DCF290D7/T3 DCF290D2/T3 DCF290D1/T3 DCFU290D13/T3 DCFU290D7/T3 DCFU290D2/T3 DCFU290D1/T3 DCFS290D7/T3 DCFS290D2/T3 DCFS290D1/T3 DCFUS290D13/T3 DCFUS290D7/T3 DCFUS290D2/T3 DCFUS290D1/T3		15	
401A	L	TSIO-520-EB (TCM)	P5045186-03 P5045186-0319	3AF32C504/82NEA-5.5	76.5	74.0	30		14.2	17.3	81.2	D-3538 D-3797 D-5215	E,S E,S E,P	DCF290D7/T3 DCF290D2/T3 DCF290D1/T3 DCFU290D13/T3 DCFU290D7/T3 DCFU290D2/T3 DCFU290D1/T3 DCFS290D7/T3 DCFS290D2/T3 DCFS290D1/T3 DCFUS290D13/T3 DCFUS290D7/T3 DCFUS290D2/T3 DCFUS290D1/T3		15	
401B	L	TSIO-520-E (TCM)	OBSOLETE	3AF32C87/82NC-5.5	76.5	74.0	30		14.2	17.3	81.2	D-3538 D-3797 D-5215	E,S E,S E,P	DCF290D7/T3 DCF290D2/T3 DCF290D1/T3 DCFU290D13/T3 DCFU290D7/T3 DCFU290D2/T3 DCFU290D1/T3 DCFS290D7/T3 DCFS290D2/T3 DCFS290D1/T3 DCFUS290D13/T3 DCFUS290D7/T3 DCFUS290D2/T3 DCFUS290D1/T3		15	

Constant Speed Propeller Applications

Aircraft		Engine		Part Number	Model	Diameter		Ref		Blade Angles			Spinner		Governors	STC Number STC Holder STC Kit P/N	Notes
Model	TYPE	Model (Make)	Model (Make)			Max	Min	Sta	Rev	Low or Flight Idle	Latch or Start Locks	High or Feather	Assembly P/N	Type			
401B	L	TSIO-520-E (TCM)	P5045186-03 P5045186-0319	3AF32C504/82NEA-5.5	76.5	74.0	30		14.2	17.3	81.2	D-3538 D-3797 D-5215	E,S E,S E,P	DCF290D7/T3 DCF290D2/T3 DCF290D1/T3 DCFU290D13/T3 DCFU290D7/T3 DCFU290D2/T3 DCFU290D1/T3 DCFS290D7/T3 DCFS290D2/T3 DCFS290D1/T3 DCFUS290D13/T3 DCFUS290D7/T3 DCFUS290D2/T3 DCFUS290D1/T3		15	
401B	L	TSIO-520-EB (TCM)	OBSOLETE	3AF32C87/82NC-5.5	76.5	74.0	30		14.2	17.3	81.2	D-3538 D-3797 D-5215	E,S E,S E,P	DCF290D7/T3 DCF290D2/T3 DCF290D1/T3 DCFU290D13/T3 DCFU290D7/T3 DCFU290D2/T3 DCFU290D1/T3 DCFS290D7/T3 DCFS290D2/T3 DCFS290D1/T3 DCFUS290D13/T3 DCFUS290D7/T3 DCFUS290D2/T3 DCFUS290D1/T3		15	
401B	L	TSIO-520-EB (TCM)	P5045186-03 P5045186-0319	3AF32C504/82NEA-5.5	76.5	74.0	30		14.2	17.3	81.2	D-3538 D-3797 D-5215	E,S E,S E,P	DCF290D7/T3 DCF290D2/T3 DCF290D1/T3 DCFU290D13/T3 DCFU290D7/T3 DCFU290D2/T3 DCFU290D1/T3 DCFS290D7/T3 DCFS290D2/T3 DCFS290D1/T3 DCFUS290D13/T3 DCFUS290D7/T3 DCFUS290D2/T3 DCFUS290D1/T3		15	

Constant Speed Propeller Applications

Aircraft		Engine		Part Number	Model	Diameter		Ref		Blade Angles			Spinner		Governors	STC Number STC Holder STC Kit P/N	Notes
Model	TYPE	Model (Make)	Model (Make)			Max	Min	Sta	Rev	Low or Flight Idle	Latch or Start Locks	High or Feather	Assembly P/N	Type			
402	L	TSIO-520-E (TCM)	OBSOLETE	3AF32C87/82NC-5.5	76.5	74.0	30		14.2	17.3	81.2	D-3538 D-3797 D-5215	E,S E,S E,P	DCF290D7/T3 DCF290D2/T3 DCF290D1/T3 DCFU290D13/T3 DCFU290D7/T3 DCFU290D2/T3 DCFU290D1/T3 DCFS290D7/T3 DCFS290D2/T3 DCFS290D1/T3 DCFUS290D13/T3 DCFUS290D7/T3 DCFUS290D2/T3 DCFUS290D1/T3		15	
402	L	TSIO-520-E (TCM)	P5045186-03 P5045186-0319	3AF32C504/82NEA-5.5	76.5	74.0	30		14.2	17.3	81.2	D-3538 D-3797 D-5215	E,S E,S E,P	DCF290D7/T3 DCF290D2/T3 DCF290D1/T3 DCFU290D13/T3 DCFU290D7/T3 DCFU290D2/T3 DCFU290D1/T3 DCFS290D7/T3 DCFS290D2/T3 DCFS290D1/T3 DCFUS290D13/T3 DCFUS290D7/T3 DCFUS290D2/T3 DCFUS290D1/T3		15	
402	L	TSIO-520-EB (TCM)	OBSOLETE	3AF32C87/82NC-5.5	76.5	74.0	30		14.2	17.3	81.2	D-3538 D-3797 D-5215	E,S E,S E,P	DCF290D7/T3 DCF290D2/T3 DCF290D1/T3 DCFU290D13/T3 DCFU290D7/T3 DCFU290D2/T3 DCFU290D1/T3 DCFS290D7/T3 DCFS290D2/T3 DCFS290D1/T3 DCFUS290D13/T3 DCFUS290D7/T3 DCFUS290D2/T3 DCFUS290D1/T3		15	

Constant Speed Propeller Applications

Aircraft		Engine		Part Number	Model	Diameter		Ref		Blade Angles			Spinner		Governors	STC Number STC Holder STC Kit P/N	Notes
Model	TYPE	Model (Make)	Model (Make)			Max	Min	Sta	Rev	Low or Flight Idle	Latch or Start Locks	High or Feather	Assembly P/N	Type			
402	L	TSIO-520-EB (TCM)	P5045186-03 P5045186-0319	3AF32C504/82NEA-5.5	76.5	74.0	30		14.2	17.3	81.2	D-3538 D-3797 D-5215	E,S E,S E,P	DCF290D7/T3 DCF290D2/T3 DCF290D1/T3 DCFU290D13/T3 DCFU290D7/T3 DCFU290D2/T3 DCFU290D1/T3 DCFS290D7/T3 DCFS290D2/T3 DCFS290D1/T3 DCFUS290D13/T3 DCFUS290D7/T3 DCFUS290D2/T3 DCFUS290D1/T3		15	
402A	L	TSIO-520-E (TCM)	OBSOLETE	3AF32C87/82NC-5.5	76.5	74.0	30		14.2	17.3	81.2	D-3538 D-3797 D-5215	E,S E,S E,P	DCF290D7/T3 DCF290D2/T3 DCF290D1/T3 DCFU290D13/T3 DCFU290D7/T3 DCFU290D2/T3 DCFU290D1/T3 DCFS290D7/T3 DCFS290D2/T3 DCFS290D1/T3 DCFUS290D13/T3 DCFUS290D7/T3 DCFUS290D2/T3 DCFUS290D1/T3		15	
402A	L	TSIO-520-E (TCM)	P5045186-03 P5045186-0319	3AF32C504/82NEA-5.5	76.5	74.0	30		14.2	17.3	81.2	D-3538 D-3797 D-5215	E,S E,S E,P	DCF290D7/T3 DCF290D2/T3 DCF290D1/T3 DCFU290D13/T3 DCFU290D7/T3 DCFU290D2/T3 DCFU290D1/T3 DCFS290D7/T3 DCFS290D2/T3 DCFS290D1/T3 DCFUS290D13/T3 DCFUS290D7/T3 DCFUS290D2/T3 DCFUS290D1/T3		15	

Constant Speed Propeller Applications

Aircraft		Engine		Part Number	Model	Diameter		Ref		Blade Angles			Spinner		Governors	STC Number STC Holder STC Kit P/N	Notes
Model	TYPE	Model (Make)	Model (Make)			Max	Min	Sta	Rev	Low or Flight Idle	Latch or Start Locks	High or Feather	Assembly P/N	Type			
402A	L	TSIO-520-EB (TCM)	OBSOLETE	3AF32C87/82NC-5.5	76.5	74.0	30		14.2	17.3	81.2	D-3538 D-3797 D-5215	E,S E,S E,P	DCF290D7/T3 DCF290D2/T3 DCF290D1/T3 DCFU290D13/T3 DCFU290D7/T3 DCFU290D2/T3 DCFU290D1/T3 DCFS290D7/T3 DCFS290D2/T3 DCFS290D1/T3 DCFUS290D13/T3 DCFUS290D7/T3 DCFUS290D2/T3 DCFUS290D1/T3		1 15	
402A	L	TSIO-520-EB (TCM)	P5045186-03 P5045186-0319	3AF32C504/82NEA-5.5	76.5	74.0	30		14.2	17.3	81.2	D-3538 D-3797 D-5215	E,S E,S E,P	DCF290D7/T3 DCF290D2/T3 DCF290D1/T3 DCFU290D13/T3 DCFU290D7/T3 DCFU290D2/T3 DCFU290D1/T3 DCFS290D7/T3 DCFS290D2/T3 DCFS290D1/T3 DCFUS290D13/T3 DCFUS290D7/T3 DCFUS290D2/T3 DCFUS290D1/T3		15	

Constant Speed Propeller Applications

Aircraft		Engine		Part Number	Model	Diameter		Ref		Blade Angles			Spinner		Governors	STC Number STC Holder STC Kit P/N	Notes
Model	TYPE	Model (Make)				Max	Min	Sta	Rev	Low or Flight Idle	Latch or Start Locks	High or Feather	Assembly P/N	Type			
402B "Utililiner, Businessliner"	L	TSIO-520-E (TCM)	OBSOLETE	3AF32C87/82NC-5.5	76.5	74.0	30		14.2	17.3	81.2	D-3538 D-3797 D-5215	E,S E,S E,P	All S/N's DCF290D7/T3 DCF290D2/T3 DCF290D1/T3 DCFU290D13/T3 DCFU290D7/T3 DCFU290D2/T3 DCFU290D1/T3 DCFS290D7/T3 DCFUS290D13/T3 DCFUS290D7/T3 S/N 402B0001 - 402B1200 DCFS290D2/T3 DCFS290D1/T3 DCFUS290D2/T3 DCFUS290D1/T3 S/N 402B1201 - 402B1300 *DCFS290D8/T3* *DCFS290D6/T3* DCFS290D5/T3 DCFS290D4/T3 DCFUS290D5/T3 DCFUS290D4/T3 * SEE NOTE 13 S/N 402B1301 and up DCFS290D8/T3 DCFS290D6/T3 DCFS290D4/T3 DCFUS290D12/T3 DCFUS290D8/T3 DCFUS290D6/T3 DCFUS290D4/T3		1 15	

Constant Speed Propeller Applications

Aircraft		Engine		Part Number	Model	Diameter		Ref		Blade Angles			Spinner		Governors	STC Number STC Holder STC Kit P/N	Notes
Model	TYPE	Model (Make)	Model (Make)			Max	Min	Sta	Rev	Low or Flight Idle	Latch or Start Locks	High or Feather	Assembly P/N	Type			
402B "Utililiner, Businessliner"	L	TSIO-520-E (TCM)	P5045186-03 P5045186-0319	3AF32C504/82NEA-5.5	76.5	74.0	30		14.2	17.3	81.2	D-3538 D-3797 D-5215	E,S E,S E,P	All S/N's DCF290D7/T3 DCF290D2/T3 DCF290D1/T3 DCFU290D13/T3 DCFU290D7/T3 DCFU290D2/T3 DCFU290D1/T3 DCFS290D7/T3 DCFUS290D13/T3 DCFUS290D7/T3 S/N 402B0001 - 402B1200 DCFS290D2/T3 DCFUS290D1/T3 DCFUS290D2/T3 DCFUS290D1/T3 S/N 402B1201 - 402B1300 *DCFS290D8/T3* *DCFS290D6/T3* DCFS290D5/T3 DCFS290D4/T3 DCFUS290D5/T3 DCFUS290D4/T3 * SEE NOTE 13 S/N 402B1301 and up DCFS290D8/T3 DCFS290D6/T3 DCFS290D4/T3 DCFUS290D12/T3 DCFUS290D8/T3 DCFUS290D6/T3 DCFUS290D4/T3		15	

Constant Speed Propeller Applications

Aircraft		Engine		Part Number	Model	Diameter		Ref		Blade Angles			Spinner		Governors	STC Number STC Holder STC Kit P/N	Notes
Model	TYPE	Model (Make)				Max	Min	Sta	Rev	Low or Flight Idle	Latch or Start Locks	High or Feather	Assembly P/N	Type			
402B "Utililiner, Businessliner"	L	TSIO-520-EB (TCM)	OBSOLETE	3AF32C87/82NC-5.5	76.5	74.0	30		14.2	17.3	81.2	D-3538 D-3797 D-5215	E,S E,S E,P	All S/N's DCF290D7/T3 DCF290D2/T3 DCF290D1/T3 DCFU290D13/T3 DCFU290D7/T3 DCFU290D2/T3 DCFU290D1/T3 DCFS290D7/T3 DCFUS290D13/T3 DCFUS290D7/T3 S/N 402B0001 - 402B1200 DCFS290D2/T3 DCFS290D1/T3 DCFUS290D2/T3 DCFUS290D1/T3 S/N 402B1201 - 402B1300 *DCFS290D8/T3* *DCFS290D6/T3* DCFS290D5/T3 DCFS290D4/T3 DCFUS290D5/T3 DCFUS290D4/T3 * SEE NOTE 13 S/N 402B1301 and up DCFS290D8/T3 DCFS290D6/T3 DCFS290D4/T3 DCFUS290D12/T3 DCFUS290D8/T3 DCFUS290D6/T3 DCFUS290D4/T3		1 15	

Constant Speed Propeller Applications

Aircraft		Engine		Part Number	Model	Diameter		Ref		Blade Angles			Spinner		Governors	STC Number STC Holder STC Kit P/N	Notes
Model	TYPE	Model (Make)	Model (Make)			Max	Min	Sta	Rev	Low or Flight Idle	Latch or Start Locks	High or Feather	Assembly P/N	Type			
402B "Utililiner, Businessliner"	L	TSIO-520-EB (TCM)	P5045186-03 P5045186-0319	3AF32C504/82NEA-5.5	76.5	74.0	30		14.2	17.3	81.2	D-3538 D-3797 D-5215	E,S E,S E,P	All S/N's DCF290D7/T3 DCF290D2/T3 DCF290D1/T3 DCFU290D13/T3 DCFU290D7/T3 DCFU290D2/T3 DCFU290D1/T3 DCFS290D7/T3 DCFUS290D13/T3 DCFUS290D7/T3 S/N 402B0001 - 402B1200 DCFS290D2/T3 DCFS290D1/T3 DCFUS290D2/T3 DCFUS290D1/T3 S/N 402B1201 - 402B1300 *DCFS290D8/T3* *DCFS290D6/T3* DCFS290D5/T3 DCFS290D4/T3 DCFUS290D5/T3 DCFUS290D4/T3 * SEE NOTE 13 S/N 402B1301 and up DCFS290D8/T3 DCFS290D6/T3 DCFS290D4/T3 DCFUS290D12/T3 DCFUS290D8/T3 DCFUS290D6/T3 DCFUS290D4/T3		15	
402C "Utililiner, Businessliner"	L	TSIO-520-VB (TCM)	OBSOLETE	3AF32C93/82NC-5.5	76.5	75.0	30		14.9	18.4	82.2	D-3538 D-3797 D-5215	E,S E,S E,P	S/N 402C0001 - 402C0600 DCF290D7/T3 DCFU290D7/T3 DCFU290D13/T3 DCFS290D7/T3 DCFUS290D13/T3 DCFUS290D12/T3 DCFUS290D8/T3 DCFUS290D7/T3 S/N 689, 402C0601 and up DCF290D7/T3 DCFU290D13/T3 DCFU290D7/T3 DCFS290D9/T3 DCFUS290D9/T3		1 17	

Constant Speed Propeller Applications

Aircraft		Engine		Part Number	Model	Diameter		Ref		Blade Angles			Spinner		Governors	STC Number STC Holder STC Kit P/N	Notes
Model	TYPE	Model (Make)	Model (Make)			Max	Min	Sta	Rev	Low or Flight Idle	Latch or Start Locks	High or Feather	Assembly P/N	Type			
402C "Utililiner, Businessliner"	L	TSIO-520-VB (TCM)	OBSOLETE	3AF32C93/82NC-6.5	75.5	75.0	30			14.9	18.4	82.2	D-3538 D-3797 D-5215	E,S E,S E,P	S/N 402C0001 - 402C0600 DCF290D7/T3 DCFU290D7/T3 DCFU290D13/T3 DCFS290D7/T3 DCFUS290D13/T3 DCFUS290D12/T3 DCFUS290D8/T3 DCFUS290D7/T3 S/N 689, 402C0601 and up DCF290D7/T3 DCFU290D13/T3 DCFU290D7/T3 DCFS290D9/T3 DCFUS290D9/T3		1 17
402C "Utililiner, Businessliner"	L	TSIO-520-VB (TCM)	P5055186-02 P5055186-0219	3AF32C505/82NEA-5.5	76.5	75.0	30			14.9	18.2	82.2	D-3538 D-3797 D-5215	E,S E,S E,P	S/N 402C0001 - 402C0600 DCF290D7/T3 DCFU290D7/T3 DCFU290D13/T3 DCFS290D7/T3 DCFUS290D13/T3 DCFUS290D12/T3 DCFUS290D8/T3 DCFUS290D7/T3 S/N 689, 402C0601 and up DCF290D7/T3 DCFU290D13/T3 DCFU290D7/T3 DCFS290D9/T3 DCFUS290D9/T3		17
402C "Utililiner, Businessliner"	L	TSIO-520-VB (TCM)	P5055186-03 P5055186-0319	3AF32C505/82NEA-6.5	75.5	75.0	30			14.9	18.5	82.2	D-3538 D-3797 D-5215	E,S E,S E,P	S/N 402C0001 - 402C0600 DCF290D7/T3 DCFU290D7/T3 DCFU290D13/T3 DCFS290D7/T3 DCFUS290D13/T3 DCFUS290D12/T3 DCFUS290D8/T3 DCFUS290D7/T3 S/N 689, 402C0601 and up DCF290D7/T3 DCFU290D13/T3 DCFU290D7/T3 DCFS290D9/T3 DCFUS290D9/T3		17
402C "Utililiner, Businessliner"	L	TSIO-520-VB (TCM)	P5155186-01 P5155186-0119	3AF32C515/82NEA-4	78.0		30			14.0	17.4	82.2	D-5215	E,P		SA8634SW Ram Aircraft	

Constant Speed Propeller Applications

Aircraft		Engine		Part Number	Model	Diameter		Ref		Blade Angles			Spinner		Governors	STC Number STC Holder STC Kit P/N	Notes
Model	T Y P E	Model (Make)				Max	Min	Sta	Rev	Low or Flight Idle	Latch or Start Locks	High or Feather	Assembly P/N	T y p e			
404 (S/N 404-0001 to 404-0600) "Titan"	L	GTSIO-520-M (TCM)	P5014594-01 P5014594-0103	3FF32C501/90UMB-0	90.0	88.5	30		16.6	19.9	84.6	D-4509	E,S	DCF290D7/T6 DCF290D2/T6 DCFU290D13/T6 DCFU290D7/T6 DCFU290D2/T6 DCFS290D7/T6 DCFS290D2/T6 DCFUS290D13/T6 DCFUS290D7/T6 DCFUS290D2/T6			
404 (S/N 404-0600 and up) "Titan"	L	GTSIO-520-M (TCM)	P5014594-01 P5014594-0103	3FF32C501/90UMB-0	90.0	88.5	30		16.6	19.9	84.6	D-4509	E,S	DCF290D7/T6 DCFU290D13/T6 DCFU290D7/T6 DCFS290D9/T6 DCFUS290D9/T6			
411	L	GTSIO-520-C (TCM)	OBSOLETE	3AF34C74/90LF-0	90.0	84.0	30		14.0	17.4	84.5	D-3574 D-3732	E,S E,S			1 14	
411	L	GTSIO-520-C (TCM)	P5107272-01 P5107272-0119	3AF37C510/90LFB-0	90.0	88.0	30		14.0	17.8	84.5	D-7229	E,S			14	
411A	L	GTSIO-520-C (TCM)	OBSOLETE	3AF34C74/90LF-0	90.0	84.0	30		14.0	17.4	84.5	D-3574 D-3732	E,S E,S			1 14	
411A	L	GTSIO-520-C (TCM)	P5107272-01 P5107272-0119	3AF37C510/90LFB-0	90.0	88.0	30		14.0	17.8	84.5	D-7229	E,S			14	
414 (S/N 414-0001 - 414-0800)	L	TSIO-520-J (TCM)	OBSOLETE	3AF32C93/82NC-5.5	76.5	74.5	30		14.9	18.4	81.2	D-3538 D-3797 D-5215	E,S E,S E,P	DCF290D7/T3 DCF290D2/T3 DCF290D1/T3 DCFU290D13/T3 DCFU290D7/T3 DCFU290D2/T3 DCFU290D1/T3 DCFS290D7/T3 DCFS290D2/T3 DCFS290D1/T3 DCFUS290D13/T3 DCFUS290D7/T3 DCFUS290D2/T3 DCFUS290D1/T3		1 17	
414 (S/N 414-0001 - 414-0800)	L	TSIO-520-J (TCM)	P5055186-01 P5055186-0119	3AF32C505/82NEA-5.5	76.5	74.5	30		14.9	18.2	81.2	D-3538 D-3797 D-5215	E,S E,S E,P	DCF290D7/T3 DCF290D2/T3 DCF290D1/T3 DCFU290D13/T3 DCFU290D7/T3 DCFU290D2/T3 DCFU290D1/T3 DCFS290D7/T3 DCFS290D2/T3 DCFS290D1/T3 DCFUS290D13/T3 DCFUS290D7/T3 DCFUS290D2/T3 DCFUS290D1/T3		17	

Constant Speed Propeller Applications

Aircraft		Engine		Part Number	Model	Diameter		Ref		Blade Angles			Spinner		Governors	STC Number STC Holder STC Kit P/N	Notes
Model	TYPE	Model (Make)				Max	Min	Sta	Rev	Low or Flight Idle	Latch or Start Locks	High or Feather	Assembly P/N	Type			
414 (S/N 414-0001 - 414-0800)	L	TSIO-520-JB (TCM)	OBSOLETE	3AF32C93/82NC-5.5	76.5	74.5	30			14.9	18.4	81.2	D-3538 D-3797 D-5215	E,S E,S E,P	DCF290D7/T3 DCF290D2/T3 DCF290D1/T3 DCFU290D13/T3 DCFU290D7/T3 DCFU290D2/T3 DCFU290D1/T3 DCFS290D7/T3 DCFS290D2/T3 DCFS290D1/T3 DCFUS290D13/T3 DCFUS290D7/T3 DCFUS290D2/T3 DCFUS290D1/T3		1 17
414 (S/N 414-0001 - 414-0800)	L	TSIO-520-JB (TCM)	P5055186-01 P5055186-0119	3AF32C505/82NEA-5.5	76.5	74.5	30			14.9	18.2	81.2	D-3538 D-3797 D-5215	E,S E,S E,P	DCF290D7/T3 DCF290D2/T3 DCF290D1/T3 DCFU290D13/T3 DCFU290D7/T3 DCFU290D2/T3 DCFU290D1/T3 DCFS290D7/T3 DCFS290D2/T3 DCFS290D1/T3 DCFUS290D13/T3 DCFUS290D7/T3 DCFUS290D2/T3 DCFUS290D1/T3		17
414 (S/N 414-0801 and up)	L	TSIO-520-N (TCM)	OBSOLETE	3AF32C93/82NC-5.5	76.5	75.0	30			14.9	18.4	81.2	D-3538 D-3797 D-5215	E,S E,S E,P	DCFS290D8/T3 DCFS290D7/T3 DCFS290D5/T3 DCFS290D4/T3 DCFUS290D13/T3 DCFUS290D12/T3 DCFUS290D8/T3 DCFUS290D7/T3 DCFUS290D5/T3 DCFUS290D4/T3		1 17
414 (S/N 414-0801 and up)	L	TSIO-520-N (TCM)	P5055186-01 P5055186-0119	3AF32C505/82NEA-5.5	76.5	75.0	30			14.9	18.2	81.2	D-3538 D-3797 D-5215	E,S E,S E,P	DCFS290D8/T3 DCFS290D7/T3 DCFS290D5/T3 DCFS290D4/T3 DCFUS290D13/T3 DCFUS290D12/T3 DCFUS290D8/T3 DCFUS290D7/T3 DCFUS290D5/T3 DCFUS290D4/T3		17
414		TSIO-520-N (STC)		3AF32C93/82NC			30									SA7570SW Ram Aircraft	1
414		TSIO-520-N (STC)		3AF32C505/82NEA			30									SA7570SW Ram Aircraft	

Constant Speed Propeller Applications

Aircraft		Engine		Part Number	Model	Diameter		Ref		Blade Angles			Spinner		Governors	STC Number STC Holder STC Kit P/N	Notes
Model	TYPE	Model (Make)	Model			Max	Min	Sta	Rev	Low or Flight Idle	Latch or Start Locks	High or Feather	Assembly P/N	Type			
414 (S/N 414-0801 and up)	L	TSIO-520-NB (TCM)	OBSOLETE	3AF32C93/82NC-5.5	76.5	75.0	30			14.9	18.4	81.2	D-3538 D-3797 D-5215	E,S E,S E,P	DCFS290D8/T3 DCFS290D7/T3 DCFS290D5/T3 DCFS290D4/T3 DCFUS290D13/T3 DCFUS290D12/T3 DCFUS290D8/T3 DCFUS290D7/T3 DCFUS290D5/T3 DCFUS290D4/T3		1 17
414 (S/N 414-0801 and up)	L	TSIO-520-NB (TCM)	P5055186-01 P5055186-0119	3AF32C505/82NEA-5.5	76.5	75.0	30			14.9	18.2	81.2	D-3538 D-3797 D-5215	E,S E,S E,P	DCFS290D8/T3 DCFS290D7/T3 DCFS290D5/T3 DCFS290D4/T3 DCFUS290D13/T3 DCFUS290D12/T3 DCFUS290D8/T3 DCFUS290D7/T3 DCFUS290D5/T3 DCFUS290D4/T3		17
414		TSIO-520-NB (STC)		3AF32C93/82NC-6	76.0	75.0	30									SA4379SW Ram Aircraft	1
414		TSIO-520-NB (STC)		3AF32C93/82NC			30									SA7570SW Ram Aircraft	1
414		TSIO-520-NB (STC)		3AF32C505/82NEA-6	76.0	75.0	30									SA4379SW Ram Aircraft	
414		TSIO-520-NB (STC)		3AF32C505/82NEA			30									SA7570SW Ram Aircraft	
414A (S/N 414A0001 - 414A0200) "Chancellor"	L	TSIO-520-N (TCM)	OBSOLETE	3AF32C93/82NC-5.5	76.5	75.0	30			14.9	18.4	81.2	D-3797 D-5215	E,S E,P	DCF290D7/T3 DCF290D2/T3 DCFU290D13/T3 DCFU290D7/T3 DCFU290D2/T3 DCFS290D8/T3 DCFS290D7/T3 DCFS290D6/T3 DCFS290D4/T3 DCFUS290D13/T3 DCFUS290D12/T3 DCFUS290D8/T3 DCFUS290D7/T3 DCFUS290D6/T3 DCFUS290D4/T3		1 17

Constant Speed Propeller Applications

Aircraft		Engine		Part Number	Model	Diameter		Ref		Blade Angles			Spinner		Governors	STC Number STC Holder STC Kit P/N	Notes
Model	TYPE	Model (Make)				Max	Min	Sta	Rev	Low or Flight Idle	Latch or Start Locks	High or Feather	Assembly P/N	Type			
414A (S/N 414A0001 - 414A0200) "Chancellor"	L	TSIO-520-N (TCM)	OBSOLETE	3AF32C93/82NC-6.5	75.5	75.0	30			14.9	18.4	81.2	D-3797 D-5215	E,S E,P	DCF290D7/T3 DCF290D2/T3 DCFU290D13/T3 DCFU290D7/T3 DCFU290D2/T3 DCFS290D8/T3 DCFS290D7/T3 DCFS290D6/T3 DCFS290D4/T3 DCFUS290D13/T3 DCFUS290D12/T3 DCFUS290D8/T3 DCFUS290D7/T3 DCFUS290D6/T3 DCFUS290D4/T3		1 17
414A (S/N 414A0001 - 414A0200) "Chancellor"	L	TSIO-520-N (TCM)	P5055186-01 P5055186-0119	3AF32C505/82NEA-5.5	76.5	75.0	30			14.9	18.2	81.2	D-3797 D-5215	E,S E,P	DCF290D7/T3 DCF290D2/T3 DCFU290D13/T3 DCFU290D7/T3 DCFU290D2/T3 DCFS290D8/T3 DCFS290D7/T3 DCFS290D6/T3 DCFS290D4/T3 DCFUS290D13/T3 DCFUS290D12/T3 DCFUS290D8/T3 DCFUS290D7/T3 DCFUS290D6/T3 DCFUS290D4/T3		17
414A (S/N 414A0001 - 414A0200) "Chancellor"	L	TSIO-520-N (TCM)	P5055186-04 P5055186-0419	3AF32C505/82NEA-6.5	75.5	75.0	30			14.9	18.5	81.2	D-3797 D-5215	E,S E,P	DCF290D7/T3 DCF290D2/T3 DCFU290D13/T3 DCFU290D7/T3 DCFU290D2/T3 DCFS290D8/T3 DCFS290D7/T3 DCFS290D6/T3 DCFS290D4/T3 DCFUS290D13/T3 DCFUS290D12/T3 DCFUS290D8/T3 DCFUS290D7/T3 DCFUS290D6/T3 DCFUS290D4/T3		17
414A "Chancellor"	L	TSIO-520-N (TCM)		3AF32C515/82NLA-4	78.0		30									SA8726SW Ram Aircraft	
414A "Chancellor"	L	TSIO-520-N (TCM)		3AF32C515/82NLA-4	78.0		30									SA8727SW Ram Aircraft	
414A "Chancellor"	L	TSIO-520-N (TCM)		3AF32C515/82NLA-4	78.0		30									SA8728SW Ram Aircraft	

Constant Speed Propeller Applications

Aircraft		Engine		Part Number	Model	Diameter		Ref		Blade Angles			Spinner		Governors	STC Number STC Holder STC Kit P/N	Notes
Model	TYPE	Model (Make)	Model			Max	Min	Sta	Rev	Low or Flight Idle	Latch or Start Locks	High or Feather	Assembly P/N	Type			
414A "Chancellor"	L	TSIO-520-N (TCM)		3AF32C515/82NLA-4	78.0		30									SA8839SW Ram Aircraft	
414A "Chancellor"		TSIO-520-N (STC)		3AF32C93/82NC-5.5	76.5	75.0	30									SA7463SW Ram Aircraft	1
414A "Chancellor"		TSIO-520-N (STC)		3AF32C505/82NEA-5.5	76.5	75.0	30									SA7463SW Ram Aircraft	
414A "Chancellor"	L	TSIO-520-NB (TCM)	OBSOLETE	3AF32C93/82NC-5.5	76.5	75.0	30		14.9	18.4	81.2	D-3797 D-5215	E,S E,P	S/N 414A0001 - 414A0801 DCF290D7/T3 DCF290D2/T3 DCFU290D13/T3 DCFU290D7/T3 DCFU290D2/T3 DCFS290D8/T3 DCFS290D7/T3 DCFS290D6/T3 DCFS290D4/T3 DCFUS290D13/T3 DCFUS290D12/T3 DCFUS290D8/T3 DCFUS290D7/T3 DCFUS290D6/T3 DCFUS290D4/T3 S/N 414A0801 and up DCF290D7/T3 DCF290D2/T3 DCFU290D13/T3 DCFU290D7/T3 DCFU290D2/T3 DCFS290D9/T3 DCFUS290D9/T3		1 17	

Constant Speed Propeller Applications

Aircraft		Engine		Part Number	Model	Diameter		Ref		Blade Angles			Spinner		Governors	STC Number STC Holder STC Kit P/N	Notes
Model	TYPE	Model (Make)	Model (Make)			Max	Min	Sta	Rev	Low or Flight Idle	Latch or Start Locks	High or Feather	Assembly P/N	Type			
414A "Chancellor"	L	TSIO-520-NB (TCM)	OBSOLETE	3AF32C93/82NC-6.5	75.5	75.0	30		14.9	18.4	81.2	D-3797 D-5215	E,S E,P	S/N 414A0001 - 414A0801 DCF290D7/T3 DCF290D2/T3 DCFU290D13/T3 DCFU290D7/T3 DCFU290D2/T3 DCFS290D8/T3 DCFS290D7/T3 DCFS290D6/T3 DCFS290D4/T3 DCFUS290D13/T3 DCFUS290D12/T3 DCFUS290D8/T3 DCFUS290D7/T3 DCFUS290D6/T3 DCFUS290D4/T3 S/N 414A0801 and up DCF290D7/T3 DCF290D2/T3 DCFU290D13/T3 DCFU290D7/T3 DCFU290D2/T3 DCFS290D9/T3 DCFUS290D9/T3		1 17	
414A "Chancellor"	L	TSIO-520-NB (TCM)	P5055186-01 P5055186-0119	3AF32C505/82NEA-5.5	76.5	75.0	30		14.9	18.2	81.2	D-3797 D-5215	E,S E,P	S/N 414A0001 - 414A0801 DCF290D7/T3 DCF290D2/T3 DCFU290D13/T3 DCFU290D7/T3 DCFU290D2/T3 DCFS290D8/T3 DCFS290D7/T3 DCFS290D6/T3 DCFS290D4/T3 DCFUS290D13/T3 DCFUS290D12/T3 DCFUS290D8/T3 DCFUS290D7/T3 DCFUS290D6/T3 DCFUS290D4/T3 S/N 414A0801 and up DCF290D7/T3 DCF290D2/T3 DCFU290D13/T3 DCFU290D7/T3 DCFU290D2/T3 DCFS290D9/T3 DCFUS290D9/T3		17	

Constant Speed Propeller Applications

Aircraft		Engine		Part Number	Model	Diameter		Ref		Blade Angles			Spinner		Governors	STC Number STC Holder STC Kit P/N	Notes
Model	T Y P E	Model (Make)				Max	Min	Sta	Rev	Low or Flight Idle	Latch or Start Locks	High or Feather	Assembly P/N	T y p e			
414A "Chancellor"	L	TSIO-520-NB (TCM)	P5055186-04 P5055186-0419	3AF32C505/82NEA-6.5	75.5	75.0	30		14.9	18.5	81.2	D-3797 D-5215	E,S E,P	S/N 414A0001 - 414A0801 DCF290D7/T3 DCF290D2/T3 DCFU290D13/T3 DCFU290D7/T3 DCFU290D2/T3 DCFS290D8/T3 DCFS290D7/T3 DCFS290D6/T3 DCFS290D4/T3 DCFUS290D13/T3 DCFUS290D12/T3 DCFUS290D8/T3 DCFUS290D7/T3 DCFUS290D6/T3 DCFUS290D4/T3 S/N 414A0801 and up DCF290D7/T3 DCF290D2/T3 DCFU290D13/T3 DCFU290D7/T3 DCFU290D2/T3 DCFS290D9/T3 DCFUS290D9/T3		17	
414A "Chancellor"	L	TSIO-520-NB (TCM)		3AF32C515/82NLA-4	78.0		30									SA8726SW Ram Aircraft	
414A "Chancellor"	L	TSIO-520-NB (TCM)		3AF32C515/82NLA-4	78.0		30									SA8727SW Ram Aircraft	
414A "Chancellor"	L	TSIO-520-NB (TCM)		3AF32C515/82NLA-4	78.0		30									SA8728SW Ram Aircraft	
414A "Chancellor"	L	TSIO-520-NB (TCM)		3AF32C515/82NLA-4	78.0		30									SA8839SW Ram Aircraft	
414A "Chancellor"		TSIO-520-NB (STC)		3AF32C93/82NC-5.5	76.5	75.0	30									SA4546SW Ram Aircraft	1
414A "Chancellor"		TSIO-520-NB (STC)		3AF32C93/82NC-5.5	76.5	75.0	30									SA7463SW Ram Aircraft	1
414A "Chancellor"		TSIO-520-NB (STC)		3AF32C505/82NEA-5.5	76.5	75.0	30									SA4546SW Ram Aircraft	
414A "Chancellor"		TSIO-520-NB (STC)		3AF32C505/82NEA-5.5	76.5	75.0	30									SA7463SW Ram Aircraft	
414A "414-AW"		TSIOL-550-A (TCM)	P5146312-0103	3AF36C514/80V/FMA-2	78.0	76.0	30		12.8	15.9	76.2	D-6176	E,P			SA8920SW Ram Aircraft	
421	L	GTSIO-520-D (TCM)	OBSOLETE	3AF34C92/90LF-0	90.0	88.0	30		16.9	20.6	84.5	D-3574	E,S				1 16
421	L	GTSIO-520-D (TCM)	P5167110-01 P5167110-0119	3AF37C516/90LFB-0	90.0	88.0	30		16.9	20.2	84.5	D-7229	E,S				16
421A	L	GTSIO-520-D (TCM)	OBSOLETE	3AF34C92/90LF-0	90.0	88.0	30		16.9	20.6	84.5	D-3574	E,S				1 16
421A	L	GTSIO-520-D (TCM)	P5167110-01 P5167110-0119	3AF37C516/90LFB-0	90.0	88.0	30		16.9	20.2	84.5	D-7229	E,S				16

Constant Speed Propeller Applications

Aircraft		Engine		Part Number	Model	Diameter		Ref		Blade Angles			Spinner		Governors	STC Number STC Holder STC Kit P/N	Notes
Model	TYPE	Model (Make)	Model (Make)			Max	Min	Sta	Rev	Low or Flight Idle	Latch or Start Locks	High or Feather	Assembly P/N	Type			
421B "Golden Eagle, Executive Commuter"	L	GTSIO-520-H (TCM)	OBSOLETE	3AF34C92/90LF-0	90.0	88.0	30		16.9	20.6	84.5	D-3797, D-5215	E,S E,P	S/N 421B0501 and up DCF290D7/T4 DCF290D2/T4 DCFU290D13/T4 DCFU290D7/T4 DCFU290D2/T4 DCFS290D7/T4 DCFS290D2/T4 DCFUS290D13/T4 DCFUS290D7/T4 DCFUS290D2/T4		16	
421B "Golden Eagle, Executive Commuter"	L	GTSIO-520-H (TCM)	P5167110-01 P5167110-0119	3AF37C516/90LFB-0	90.0	88.0	30		16.9	20.2	84.5	D-3797, D-5215	E,S E,P	S/N 421B0501 and up DCF290D7/T4 DCF290D2/T4 DCFU290D13/T4 DCFU290D7/T4 DCFU290D2/T4 DCFS290D7/T4 DCFS290D2/T4 DCFUS290D13/T4 DCFUS290D7/T4 DCFUS290D2/T4		16	
421C (S/N 421C0001 - 421C1000) "Golden Eagle, Executive Commuter"	L	GTSIO-520-L (TCM)	P5014594-01 P5014594-0103	3FF32C501/90UMB-0	90.0	88.5	30		16.6	19.9	84.6	D-4509 D-5218	E,S E,P	S/N 421C0001 - 421C0800 DCF290D7/T6 DCF290D2/T6 DCFU290D13/T6 DCFU290D7/T6 DCFU290D2/T6 DCFS290D7/T6 DCFS290D2/T6 DCFUS290D13/T6 DCFUS290D7/T6 DCFUS290D2/T6 S/N 421C0801 - 421C1000 DCF290D7/T6 DCFU290D13/T6 DCFU290D7/T6 DCFS290D9/T6 DCFUS290D9/T6			
421C (S/N 421C1001 and up) "Golden Eagle, Executive Commuter"	L	GTSIO-520-N (TCM)	P5014594-01 P5014594-0103	3FF32C501/90UMB-0	90.0	88.5	30		16.6	19.9	84.6	D-4509 D-5218	E,S E,P	DCFUS290D9/T6 DCFU290D13/T6 DCFU290D7/T6 DCFS290D9/T6 DCF290D7/T6			
425 "Conquest I, Corsair"	L	PT6A-112 (PW)	P7015128-0103	3GFR34C701/93KB-0	93.0	90.625	30	-13.5	18.5		85.5	E-5146	E,S				
425 "Conquest I, Corsair"	L	PT6A-112 (PW)	P7625550-0152	4HFR34C762/94LMA-4	90.0	89.0	30	-10.0	18.3		85.8	E-6327	E,P		SA1491GL McCauley PL60051	61 102	
425 "Conquest I, Corsair"	L	PT6A-135 (PW)	P7625550-0152	4HFR34C762/94LMA-4	90.0	89.0	30	-10.0	18.3		85.8	E-6327	E,P		SA1491GL McCauley PL60051	61	

Constant Speed Propeller Applications

Aircraft		Engine		Model	Diameter		Ref		Blade Angles			Spinner		Governors	STC Number STC Holder STC Kit P/N	Notes
Model	TYPE	Model (Make)	Part Number		Max	Min	Sta	Rev	Low or Flight Idle	Latch or Start Locks	High or Feather	Assembly P/N	Type			
425 "Conquest I, Corsair"	L	PT6A-135A (PW)	P7625550-0152	4HFR34C762/94LMA-4	90.0	89.0	30	-10.0	18.3		85.8	E-6327	E,P		SA1491GL McCauley PL60051	61
425 "Conquest I, Corsair"	L	PT6A-135 (PW)	P7625550-0152	4HFR34C762/94LMA-4	90.0	89.0	30	-10.0	18.3		85.8	E-5643	E,P		SA5786SW Blackhawk Mod PL60051	61
425 "Conquest I, Corsair"	L	PT6A-135A (PW)	P7625550-0152	4HFR34C762/94LMA-4	90.0	89.0	30	-10.0	18.3		85.8	E-5643	E,P		SA5786SW Blackhawk Mod PL60051	61
441 "Conquest II"	L	TPE331-8 (HW)	P6014979-0203	3GFR34C601/93JA-3	90.0	88.5	30	-8.0		2.0	85.3	E-4858	E,P			
441 "Conquest II"	L	TPE331-8 (HW)	P6616817-0156	4HFR34C661/90LNA-2	88.0	87.0	30	-10.0	8.5	2.0	84.0	E-6327	E,P		SA33CH McCauley PL60098	
441 "Conquest II"	L	TPE331-10N (HW)	P6014979-0203	3GFR34C601/93JA-3	90.0	88.5	30	-8.0		2.0	85.3	E-4858	E,P		SA5682NM West Star Aviation	
441 "Conquest II"	L	TPE331-10N (HW)	P6616817-0156	4HFR34C661/90LNA-2	88.0	87.0	30	-10.0	8.5	2.0	84.0	E-6327	E,P		SA33CH McCauley PL60098	
441 "Conquest II"	L	TPE331-10N (HW)	P6616817-0156	4HFR34C661/90LNA-2	88.0	87.0	30	-10.0	8.5	2.0	84.0	E-6327	E,P		SA5682NM West Star Aviation PL60130	
CESSNA (REIMS AVIATION S.A.)																
FR172E "Reims Rocket"		IO-360-D (TCM)	OBSOLETE	D2A34C67/76C-0	76.0	74.5	30		11.7		22.5			C290D3/T6 C290D2/T6		1
FR172F "Reims Rocket"		IO-360-D (TCM)	OBSOLETE	D2A34C67/76C-0	76.0	74.5	30		11.7		22.5			C290D3/T6 C290D2/T6		1
FR172G "Reims Rocket"		IO-360-C (TCM)	OBSOLETE	D2A34C67/76C-0	76.0	74.5	30		11.7		22.5			C290D3/T6 C290D2/T6		1
FR172G "Reims Rocket"		IO-360-CB (TCM)	OBSOLETE	D2A34C67/76C-0	76.0	74.5	30		11.7		22.5			C290D3/T6 C290D2/T6		1
FR172G "Reims Rocket"		IO-360-D (TCM)	OBSOLETE	D2A34C67/76C-0	76.0	74.5	30		11.7		22.5			C290D3/T6 C290D2/T6		1
FR172G "Reims Rocket"		IO-360-DB (TCM)	OBSOLETE	D2A34C67/76C-0	76.0	74.5	30		11.7		22.5			C290D3/T6 C290D2/T6		1
FR172H "Reims Rocket"		IO-360-C (TCM)	OBSOLETE	D2A34C67/76C-0	76.0	74.5	30		11.7		22.5			C290D3/T6 C290D2/T6		1
FR172H "Reims Rocket"		IO-360-C (TCM)	P2094447-51	2A34C209/78CCA-2	76.0	74.5	30		11.3		22.0			C290D3/T6 C290D2/T6		
FR172H "Reims Rocket"		IO-360-CB (TCM)	OBSOLETE	D2A34C67/76C-0	76.0	74.5	30		11.7		22.5			C290D3/T6 C290D2/T6		1
FR172H "Reims Rocket"		IO-360-CB (TCM)	P2094447-51	2A34C209/78CCA-2	76.0	74.5	30		11.3		22.0			C290D3/T6 C290D2/T6		
FR172H "Reims Rocket"		IO-360-D (TCM)	OBSOLETE	D2A34C67/76C-0	76.0	74.5	30		11.7		22.5			C290D3/T6 C290D2/T6		1
FR172H "Reims Rocket"		IO-360-D (TCM)	P2094447-51	2A34C209/78CCA-2	76.0	74.5	30		11.3		22.0			C290D3/T6 C290D2/T6		

Constant Speed Propeller Applications

Aircraft		Engine		Model	Diameter		Ref		Blade Angles			Spinner		Governors	STC Number STC Holder STC Kit P/N	Notes
Model	TYPE	Model (Make)	Part Number		Max	Min	Sta	Rev	Low or Flight Idle	Latch or Start Locks	High or Feather	Assembly P/N	Type			
FR172H "Reims Rocket"		IO-360-DB (TCM)	OBSOLETE	D2A34C67/76C-0	76.0	74.5	30		11.7		22.5			C290D3/T6 C290D2/T6		1
FR172H "Reims Rocket"		IO-360-DB (TCM)	P2094447-51	2A34C209/78CCA-2	76.0	74.5	30		11.3		22.0			C290D3/T6 C290D2/T6		
FR172H "Reims Rocket"		IO-360-HB (TCM)	OBSOLETE	D2A34C67/76C-0	76.0	74.5	30		11.7		22.5			C290D3/T6 C290D2/T6		1
FR172H "Reims Rocket"		IO-360-HB (TCM)	P2094447-51	2A34C209/78CCA-2	76.0	74.5	30		11.3		22.0			C290D3/T6 C290D2/T6		
FR172J "Reims Rocket"		IO-360-H (TCM)	P2094447-51	2A34C209/78CCA-2	76.0	74.5	30		11.3		22.0			C290D3/T6 C290D2/T6		
FR172J "Reims Rocket"		IO-360-HB (TCM)	P2094447-51	2A34C209/78CCA-2	76.0	74.5	30		11.3		22.0			C290D3/T6 C290D2/T6		
FR172K (1977, 1978 models) "Reims Hawk XP"		IO-360-K (TCM)	P2033909-53	2A34C203/90DCA-14	76.0	74.5	30		12.0		25.1			C290D3/T15		
FR172K (SP) (1977, 1978 models) "Reims Hawk XP"		IO-360-K (TCM)	P2033909-54	2A34C203/90DCA-10	80.0	78.5	30		11.3		24.8			C290D3/T15		
FR172K (1977, 1978 models) "Reims Hawk XP"		IO-360-KB (TCM)	P2033909-53	2A34C203/90DCA-14	76.0	74.5	30		12.0		25.1			C290D3/T15		
FR172K (SP) (1977, 1978 models) "Reims Hawk XP"		IO-360-KB (TCM)	P2033909-54	2A34C203/90DCA-10	80.0	78.5	30		11.3		24.8			C290D3/T15		
FR172K (1979 and up) "Reims Hawk XP"		IO-360-KB (TCM)	P2033909-53	2A34C203/90DCA-14	76.0	74.5	30		12.0		25.1			C290D3/T15		
FR172K (SP) (1979 and up) "Reims Hawk XP"		IO-360-KB (TCM)	P2033909-54	2A34C203/90DCA-10	80.0	78.5	30		11.3		24.8			C290D3/T15		
F177RG	L	IO-360-A1B6 (LY)	OBSOLETE	B2D34C206/78TA-0	78.0	76.5	30		12.9		27.5			DC290D1/T2 C290D3/T11 C290D2/T11		1 10 83
F177RG	L	IO-360-A1B6 (LY)	P2074392-01	B2D34C207/78TCA-0	78.0	76.5	30		12.9		27.5			DC290D1/T2 C290D3/T11 C290D2/T11		10 83
F177RG	L	IO-360-A1B6 (LY)	P4287151-01	B3D36C428/82NPA-2	76.0	75.0	30		10.5		33.8	D-6614	P	DC290D1/T2 C290D3/T11 C290D2/T11	SA477CH McCauley PL60161	60 83
F177RG	L	IO-360-A1B6D (LY)	OBSOLETE	B2D34C206/78TA-0	78.0	76.5	30		12.9		27.5			DC290D1/T3 C290D3/T12 C290D2/T12		1 10 83
F177RG	L	IO-360-A1B6D (LY)	P2074392-01	B2D34C207/78TCA-0	78.0	76.5	30		12.9		27.5			DC290D1/T3 C290D3/T12 C290D2/T12		10 83
F177RG	L	IO-360-A1B6D (LY)	P4287151-01	B3D36C428/82NPA-2	76.0	75.0	30		10.5		33.8	D-6614	P	DC290D1/T3 C290D3/T12 C290D2/T12	SA477CH McCauley PL60161	60 83
F182P "Skylane"	L	O-470-S (TCM)	OBSOLETE	2A34C66/90AT-8	82.0	80.0	36		10.5		22.0			C290D3/T1 C290D2/T1		1
F182P "Skylane"	L	O-470-S (TCM)	P2017294-51	2A34C201/90DA-8	82.0	80.0	30		13.0		24.5			C290D3/T1 C290D2/T1		

Constant Speed Propeller Applications

Aircraft		Engine		Model	Diameter		Ref		Blade Angles			Spinner		Governors	STC Number STC Holder STC Kit P/N	Notes
Model	T Y P E	Model (Make)	Part Number		Max	Min	Sta	Rev	Low or Flight Idle	Latch or Start Locks	High or Feather	Assembly P/N	T y p e			
F182P "Skylane"	L	O-470-S (TCM)	P2033909-51	2A34C203/90DCA-8	82.0	80.5	30		12.5		25.0			C290D3/T1 C290D2/T1		
F182P "Skylane"	L	O-470-S (TCM)	P4357483-01	D3A36C435/80VEA-0	80.0	78.0	30		10.8		33.9	D-7515	P	C290D3/T1 C290D2/T1	SA00819CH McCauley PL60232	
F182Q "Skylane"	L	O-470-U (TCM)	P2043909-52	C2A34C204/90DCB-8	82.0	80.5	30		15.0		29.4			C290D3/T14		
FR182 (S/N FR18200001 - FR18200045) "Skylane RG"	L	O-540-J3C5D (LY)	P2144392-61	B2D34C214/90DHB-8	82.0	80.5	30		15.8		29.4			DC290D1/T4 C290D3/T16		
FR182 (S/N FR18200001 - FR18200045) "Skylane RG"	L	O-540-J3C5D (LY)	P4337350-02	B3D36C433/80VSA-1	79.0	78.0	30		14.3		31.7	D-6614	P	DC290D1/T4 C290D3/T16	SA00798CH McCauley PL60231	
FR182 (S/N FR18200046 and up) "Skylane RG"	L	O-540-J3C5D (LY)	P2185053-01	B2D34C218/90DHB-8	82.0	80.5	30		15.8		29.4			DC290D1/T8 C290D3/T22		
FR182 (S/N FR18200046 and up) "Skylane RG"	L	O-540-J3C5D (LY)	P4317296-03	B3D36C431/80VSA-1	79.0	78.0	30		14.3		31.7	D-7499-1	P	DC290D1/T8 C290D3/T22	SA00798CH McCauley PL60203	
F337E (front) "Super Skymaster"	L	IO-360-C (TCM)	OBSOLETE	D2AF34C59/76C-0	76.0	74.5	30		11.7	15.0	79.0			CF310D2/T1 CF310D1/T1		1
F337E (front) "Super Skymaster"	L	IO-360-C (TCM)	OBSOLETE	D2AF34C301/76CTA-0	76.0	75.0	30		11.7	14.7	79.0			CF310D2/T1 CF310D1/T1		1
F337E (front) "Super Skymaster"	L	IO-360-C (TCM)	P3064229-11	D2AF34C306/78CAA-0	78.0	76.5	30		11.0	15.8	82.0			CF310D2/T1 CF310D1/T1		
F337E (rear) "Super Skymaster"	L	IO-360-C (TCM)	OBSOLETE	D2AF34C61/L76C-0	76.0	74.5	30		10.8	16.0	79.0			CF310D2/T1 CF310D1/T1		1
F337E (rear) "Super Skymaster"	L	IO-360-C (TCM)	P3024231-01	D2AF34C302/L76CTA-0	76.0	75.0	30		10.8	14.8	79.0			CF310D2/T1 CF310D1/T1		
F337E (rear) "Super Skymaster"	L	IO-360-C (TCM)	P3074231-21	D2AF34C307/L78CBA-2	76.0	74.5	30		11.0	15.8	80.0			CF310D2/T1 CF310D1/T1		
F337F (front) "Super Skymaster"	L	IO-360-C (TCM)	OBSOLETE	D2AF34C59/76C-0	76.0	74.5	30		11.7	15.0	79.0			CF310D1/T1		1
F337F (front) "Super Skymaster"	L	IO-360-C (TCM)	OBSOLETE	D2AF34C301/76CTA-0	76.0	75.0	30		11.7	14.7	79.0			CF310D1/T1		1
F337F (front) "Super Skymaster"	L	IO-360-C (TCM)	P3064229-11	D2AF34C306/78CAA-0	78.0	76.5	30		11.0	15.8	82.0			CF310D1/T1		
F337F (rear) "Super Skymaster"	L	IO-360-C (TCM)	OBSOLETE	D2AF34C61/L76C-0	76.0	74.5	30		10.8	16.0	79.0			CF310D1/T1		1
F337F (rear) "Super Skymaster"	L	IO-360-C (TCM)	P3024231-01	D2AF34C302/L76CTA-0	76.0	75.0	30		10.8	14.8	79.0			CF310D2/T1 CF310D1/T1		
F337F (rear) "Super Skymaster"	L	IO-360-C (TCM)	P3074231-21	D2AF34C307/L78CBA-2	76.0	74.5	30		11.0	15.8	80.0			CF310D1/T1		
F337G (front) (S/N F3370056 - F3370080) "Super Skymaster"	L	IO-360-G (TCM)	P3064229-11	D2AF34C306/78CAA-0	78.0	76.5	30		11.0	15.8	82.0			CF310D2/T1 CF310D1/T1		
F337G (front) (S/N F3370080 and up) "Super Skymaster"	L	IO-360-G (TCM)	P3104229-21	D2AF34C310/90DEA-12	78.0	76.5	30		9.9	14.6	82.0			CF310D2/T1 CF310D1/T1		

Constant Speed Propeller Applications

Aircraft		Engine		Diameter		Ref	Blade Angles			Spinner		Governors	STC Number STC Holder STC Kit P/N	Notes	
Model	T Y P E	Model (Make)	Part Number	Model	Max	Min	Sta	Rev	Low or Flight Idle	Latch or Start Locks	High or Feather				Assembly P/N
F337G (rear) "Super Skymaster"	L	IO-360-G (TCM)	P3074231-21	D2AF34C307/L78CBA-2	76.0	74.5	30		11.0	15.8	80.0			CF310D2/T1 CF310D1/T1	
F337H (front) "Super Skymaster"	L	IO-360-G (TCM)	P3104229-21	D2AF34C310/90DEA-12	78.0	76.5	30		9.9	14.6	82.0			DCF310D7/T1	
F337H (rear) "Super Skymaster"	L	IO-360-G (TCM)	P3074231-21	D2AF34C307/L78CBA-2	76.0	74.5	30		11.0	15.8	80.0			DCF310D7/T1	
FT337E (front) "Super Skymaster"	L	TSIO-360-A (TCM)	OBSOLETE	D2AF34C91/76C-0	76.0	74.5	30		12.7	15.7	79.0			CF310D2/T1 CF310D1/T1	1
FT337E (front) "Super Skymaster"	L	TSIO-360-A (TCM)	P3044336-11	D2AF34C304/76CTA-0	76.0	75.0	30		12.7	15.7	79.0			CF310D2/T1 CF310D1/T1	
FT337E (rear) "Super Skymaster"	L	TSIO-360-A (TCM)	OBSOLETE	D2AF34C61/L76C-0	76.0	74.5	30		11.8	16.0	79.0			CF310D2/T1 CF310D1/T1	1
FT337E (rear) "Super Skymaster"	L	TSIO-360-A (TCM)	P3024231-02	D2AF34C302/L76CTA-0	76.0	75.0	30		11.8	15.8	79.0			CF310D2/T1 CF310D1/T1	
FT337F (front) "Super Skymaster"	L	TSIO-360-A (TCM)	OBSOLETE	D2AF34C91/76C-0	76.0	74.5	30		12.7	15.7	79.0			CF310D2/T1 CF310D1/T1	1
FT337F (front) "Super Skymaster"	L	TSIO-360-A (TCM)	P3044336-11	D2AF34C304/76CTA-0	76.0	75.0	30		12.7	15.7	79.0			CF310D2/T1 CF310D1/T1	
FT337F (rear) "Super Skymaster"	L	TSIO-360-A (TCM)	OBSOLETE	D2AF34C61/L76C-0	76.0	74.5	30		11.8	16.0	79.0			CF310D2/T1 CF310D1/T1	1
FT337F (rear) "Super Skymaster"	L	TSIO-360-A (TCM)	P3024231-02	D2AF34C302/L76CTA-0	76.0	75.0	30		11.8	15.8	79.0			CF310D2/T1 CF310D1/T1	
FT337GP (front) (S/N FP3370001 - FP3370017) "Turbo Skymaster"	L	TSIO-360-C (TCM)	P3034336-01	D2AF34C303/78CAA-0	78.0	76.0	30		12.5	15.5	82.0			DCFS310D3/T1 DCF310D7/T1 CF310D2/T1 CF310D1/T1	
FT337GP (front) (S/N FP3370018 and up)	L	TSIO-360-C (TCM)	P3084336-21	D2AF34C308/90DEA-12	78.0	76.5	30		11.3	15.0	82.3			DCFS310D4/T5	
FT337GP (rear)	L	TSIO-360-C (TCM)	P3054231-11	D2AF34C305/L78CBA-2	76.0	74.0	30		12.5	15.5	80.0			DCFS310D3/T1 DCF310D7/T1 CF310D2/T1 CF310D1/T1	
FT337HP (front)	L	TSIO-360-C (TCM)	P3084336-21	D2AF34C308/90DEA-12	78.0	76.5	30		11.3	15.0	82.3			DCFS310D7/T5	
FT337HP (rear)	L	TSIO-360-C (TCM)	P3054231-11	D2AF34C305/L78CBA-2	76.0	74.0	30		12.5	15.5	80.0			DCFS310D8/T1	
FTB337G (front)	L	TSIO-360-D (TCM)	P3034336-01	D2AF34C303/78CAA-0	78.0	76.0	30		12.5	15.5	82.0			DCFU310D13/T5 DCFU310D7/T5 CF310D2/T1 CF310D1/T1	
FTB337G (rear)	L	TSIO-360-D (TCM)	P3054231-11	D2AF34C305/L78CBA-2	76.0	74.0	30		12.5	15.5	80.0			DCFU310D13/T1 DCFU310D7/T1 CF310D2/T1 CF310D1/T1	
F406 "Caravan II"	L	PT6A-112 (PW)	P7015128-0103	3GFR34C701/93KB-0	93.0	90.625	30	-13.5	18.5		85.5	E-5146	E,S		
CIRRUS DESIGN CORPORATION															
SR20	L	IO-360-ES (TCM)		Hartzell - See aircraft TCDS										C290D3/T23	
SR22	L	IO-550-N (TCM)	P4437800-01 P4437800-0181 P4437800-02 P4437800-0281	D3A34C443/78CYA-0	78.0	76.0	30		11.8		31.5	D-7779-1 D-7779-2	P S	C290D3/T23	59 109
SR22	L	IO-550-N (TCM)		Hartzell - See aircraft TCDS										C290D3/T23	
COMMANDER (Commander Premier, formerly Aero Commander, Rockwell International, Commander Aircraft Corporation)															

Constant Speed Propeller Applications

Aircraft		Engine		Part Number	Model	Diameter		Ref		Blade Angles			Spinner		Governors	STC Number STC Holder STC Kit P/N	Notes
Model	T Y P E	Model (Make)	Model (Make)			Max	Min	Sta	Rev	Low or Flight Idle	Latch or Start Locks	High or Feather	Assembly P/N	T y p e			
114	L	IO-540-T4A5D (LY)	P4195038-01	B3D32C419/82NHA-5	77.0	75.5	30		12.6		33.0				SA7855SW Commander Premier		
114	L	IO-540-T4B5D (LY)	P4195038-01	B3D32C419/82NHA-5	77.0	75.5	30		12.6		33.0				SA7855SW Commander Premier		
114	L	IO-540-T4B5D (LY)	P4055038-01	B3D34C405/90DFA-13	77.0	76.0	30		11.5		33.0				SA4444NM Robert Craner		
114A	L	IO-540-T4B5D (LY)	P4055038-01	B3D34C405/90DFA-13	77.0	76.0	30		11.5		33.0						
114B	L	IO-540-T4B5 (LY)	P4195038-01	B3D32C419/82NHA-5	77.0	75.5	30		12.6		33.0			DC290D1/T19 C290D3/T41			
114TC	L	TIO-540-AG1A (LY)	P4195038-02	B3D32C419/82NHA-5	77.0	75.5	30		14.8		33.9			DC290D1/T21 C290D3/T44			
DeHAVILLAND (Viking Air LTD, formerly Bombardier Inc.)																	
DHC-6-100 "Twin Otter"	L	PT6A-34 (PW)	P7646314-0152	4HFR34C764/94LMB-0	94.0	92.0	30	-10.0			86.8	E-6350	E,P		SA01-76 Rocky Mountain Aircraft		
DHC-6-200 "Twin Otter"	L	PT6A-34 (PW)	P7646314-0152	4HFR34C764/94LMB-0	94.0	92.0	30	-10.0			86.8	E-6350	E,P		SA01-76 Rocky Mountain Aircraft		
DHC-6-300 "Twin Otter"	L	PT6A-27 (PW)	P7646314-0152	4HFR34C764/94LMB-0	94.0	92.0	30	-10.0			86.8	E-6350	E,P		SA1385GL McCauley PL60042	63	
DIAMOND AIRCRAFT INDUSTRIES GmbH																	
HK 36 TC	L	912 A3 (Rotax)		MT Propeller see aircraft TCDS										DCFU290D17/T1		26	
HK 36 TTC	L	914 F3 (Rotax)		MT Propeller see aircraft TCDS										DCFU290D17/T1		27	
HK 36 TTC	L	914 F4 (Rotax)		MT Propeller see aircraft TCDS										DCFU290D17/T1		27	
HK 36 TTC-ECO	L	914 F3 (Rotax)		MT Propeller see aircraft TCDS										DCFU290D17/T1		27	
HK 36 TTC-ECO	L	914 F4 (Rotax)		MT Propeller see aircraft TCDS										DCFU290D17/T1		27	
HK 36 TS	L	912 A3 (Rotax)		MT Propeller see aircraft TCDS										DCFU290D17/T1		26	
HK 36 TTS	L	914 F3 (Rotax)		MT Propeller see aircraft TCDS										DCFU290D17/T1		27	
HK 36 TTS	L	914 F4 (Rotax)		MT Propeller see aircraft TCDS										DCFU290D17/T1		27	
DORNIER SEASTAR GmbH & Co KG																	
SEASTAR CD2 (front)	A	PT6A-135A (PW)	P7606120-0152	4HFR34C760/95DA-0.5	94.5	92.5	30	-9.0	15.5		85.7	E-5643	E,B			1	
SEASTAR CD2 (rear)	A	PT6A-135A (PW)	P7616122-01	4HFR34C761/L95DZ-2.5	92.5	92.5	30	-9.0	16.0		83.8	E-5643	B			1	
FAIRCHILD (M7 Aerospace L.P.)																	
SA227-AC "Metro III, C-26A"	L	TPE331-11U (HW)	P6525322-0407	4HFR34C652/L106LA-0	106.0	106.0	30	-5.0	15.0	6.0	88.5	E-5369	E,P				
SA227-AT "Merlin IV C"	L	TPE331-11U (HW)	P6525322-0407	4HFR34C652/L106LA-0	106.0	106.0	30	-5.0	15.0	6.0	88.5	E-5369	E,P				
SA227-BC "Metro III, C-26A"	L	TPE331-12UA (HW)	P6525322-0407	4HFR34C652/L106LA-0	106.0	106.0	30	-5.0	15.0	6.0	88.5	E-5369	E,P				

Constant Speed Propeller Applications

Aircraft		Engine		Model	Diameter		Ref		Blade Angles			Spinner		Governors	STC Number STC Holder STC Kit P/N	Notes
Model	Type	Model (Make)	Part Number		Max	Min	Sta	Rev	Low or Flight Idle	Latch or Start Locks	High or Feather	Assembly P/N	Type			
SA227-BC "Metro III, C-26A"	L	TPE331-12UAR (HW)	P6525322-0407	4HFR34C652/L106LA-0	106.0	106.0	30	-5.0	15.0	6.0	88.5	E-5369	E,P			
SA227-BC "Metro III, C-26A"	L	TPE331-12UHR (HW)	P6525322-0407	4HFR34C652/L106LA-0	106.0	106.0	30	-5.0	15.0	6.0	88.5	E-5369	E,P			
SA227-CC "Metro 23"	L	TPE331-11U (HW)	P6525322-0407	4HFR34C652/L106LA-0	106.0	106.0	30	-5.0	15.0	6.0	88.5	E-5369	E,P			
SA227-DC "Metro 23, C-26B"	L	TPE331-12UA (HW)	P6525322-0407	4HFR34C652/L106LA-0	106.0	106.0	30	-5.0	15.0	6.0	88.5	E-5369	E,P			
SA227-DC "Metro 23, C-26B"	L	TPE331-12UA (HW)	P6636401-0107	4HFR34C663/L106KA-0	106.0	106.0	30	-5.0	15.0	9.0	88.9	E-5369	E,P			
SA227-DC "Metro 23, C-26B"	L	TPE331-12UAR (HW)	P6525322-0407	4HFR34C652/L106LA-0	106.0	106.0	30	-5.0	15.0	6.0	88.5	E-5369	E,P			
SA227-DC "Metro 23, C-26B"	L	TPE331-12UAR (HW)	P6636401-0107	4HFR34C663/L106KA-0	106.0	106.0	30	-5.0	15.0	9.0	88.9	E-5369	E,P			
SA227-DC "Metro 23, C-26B"	L	TPE331-12UHR (HW)	P6525322-0407	4HFR34C652/L106LA-0	106.0	106.0	30	-5.0	15.0	6.0	88.5	E-5369	E,P			
SA227-DC "Metro 23, C-26B"	L	TPE331-12UHR (HW)	P6636401-0107	4HFR34C663/L106KA-0	106.0	106.0	30	-5.0	15.0	9.0	88.9	E-5369	E,P			
FLETCHER (Frontier-Aerospace Inc.)																
FU-24	L	O-470-M (TCM)	OBSOLETE	2A36C18/90M-4	86.0	84.0	36		10.0		22.3					1
FU-24	L	O-470-N (TCM)	OBSOLETE	2A36C18/90M-4	86.0	84.0	36		10.0		22.3					1
FU-24	L	IO-470-D (TCM)	OBSOLETE	D2A36C33/90M-2	88.0	84.0	36		8.4		22.3					1
FU-24	L	GIO-470-A (TCM)	OBSOLETE	2A36C43/100R-10	90.0	88.0	36		11.3		25.0					1
FU-24A	L	O-470-M (TCM)	OBSOLETE	2A36C18/90M-4	86.0	84.0	36		10.0		22.3					1
FU-24A	L	O-470-N (TCM)	OBSOLETE	2A36C18/90M-4	86.0	84.0	36		10.0		22.3					1
FU-24A	L	IO-470-D (TCM)	OBSOLETE	D2A36C33/90M-2	88.0	84.0	36		8.4		22.3					1
FOUND AIRCRAFT CANADA Inc.																
FBA-2C	L	O-540-A1C5 (LY)	OBSOLETE	2D36C28/80MM-6	74.0	73.0	30		15.7		32.0					1 41
FUJI HEAVY INDUSTRIES																
FA-200-180 "Aerosubaru"	L	IO-360-B1B (LY)	OBSOLETE	B2D34C53/74E-0	74.0	72.5	30		12.7		27.5					42
GLOBE (Swift Museum Foundation Inc.)																
GC-1B "Swift"	L	IO-360 series (TCM)	OBSOLETE	D2A34C67/76C-2	74.0	70.0	30								SA53NW Merlyn Products, Inc.	105
GC-1B "Swift"	L	IO-360-D (TCM)	OBSOLETE	D2A34C67/76C-2	74.0		30								SA389NW MACHen	1
GC-1B "Swift"	L	IO-360-D (TCM)	OBSOLETE	D2A34C67/76C-2	74.0		30								SA275NW MACHen	1
GC-1B "Swift"	L	IO-360-D (TCM)	P2094447-51	2A34C209/78CCA-2	76.0		30		11.3		22.0				SA00185BO Swift Museum Foundation	
GC-1B "Swift"	L	O-360-A1A (LY)	OBSOLETE	2D34C53/74E-0	74.0		30								SA803SO Swift Museum Foundation	1
GRUMMAN (Gulfstream American Corporation)																
G44 "Widgeon"	A	IO-470 (TCM)	P5287552-02	3AF32C528/82NEA-4	78.0	76.0	30		12.5	16.3	81.3	D-5215	P		SA00893CH McCauley PL60264	64

Constant Speed Propeller Applications

Aircraft		Engine		Part Number	Model	Diameter		Ref		Blade Angles			Spinner		Governors	STC Number STC Holder STC Kit P/N	Notes
Model	T Y P E	Model (Make)				Max	Min	Sta	Rev	Low or Flight Idle	Latch or Start Locks	High or Feather	Assembly P/N	T y p e			
G44A "Widgeon"	A	IO-470 (TCM)	P5287552-02	3AF32C528/82NEA-4	78.0	76.0	30		12.5	16.3	81.3	D-5215	P		SA00893CH McCaughey PL60264	64	
SCAN Type 30 "Widgeon"	A	IO-470 (TCM)	P5287552-02	3AF32C528/82NEA-4	78.0	76.0	30		12.5	16.3	81.3	D-5215	P		SA00893CH McCaughey PL60264	64	
HINDUSTAN AERONAUTICS, LTD.																	
HA-31	L	IO-470-V (TCM)	OBSOLETE	D2A34C34/84JF-0	84.0	84.0	36		10.0		22.0	D-2845	S	C290D2/T13			1
JETSTREAM (BAE SYSTEMS (Operations) Ltd.)																	
3101 "J31"	L	TPE331-10UF (HW)	P6525322-0307	4HFR34C652/L106LA-0	106.0	106.0	30	-5.0	15.0	9.0	88.9	E-6083	E,P		SA1372GL McCaughey PL60026	65	
3101 "J31"	L	TPE331-10UG (HW)	P6525322-0307	4HFR34C652/L106LA-0	106.0	106.0	30	-5.0	15.0	9.0	88.9	E-6083	E,P		SA1372GL McCaughey PL60026	65	
3101 "J31"	L	TPE331-10UGR (HW)	P6525322-0307	4HFR34C652/L106LA-0	106.0	106.0	30	-5.0	15.0	9.0	88.9	E-6083	E,P		SA1372GL McCaughey PL60026	65	
3101 "J31"	L	TPE331-10UR (HW)	P6525322-0307	4HFR34C652/L106LA-0	106.0	106.0	30	-5.0	15.0	9.0	88.9	E-6083	E,P		SA1372GL McCaughey PL60026	65	
3201 "J32"	L	TPE331-12UAR (HW)	P6536401-0455	4HFR34C653/L106FA-0	106.0	105.0	30	-4.0	15.0	9.0	87.4	E-6083 E-6083-1	E,P E,B			106	
3201 "J32"	L	TPE331-12UHR (HW)	P6536401-0455	4HFR34C653/L106FA-0	106.0	105.0	30	-4.0	15.0	9.0	87.4	E-6083 E-6083-1	E,P E,B			106	
4101 (left engine) "J41"	L	TPE331-14GR (HW)	P11016416-0116	B5JFR36C1101/114GCA-0	114.0	112.0	42	-15.0	7.0	-2.0	79.7	E-6466	E,B			3 57 106	
4101 (right side) "J41"	L	TPE331-14HR (HW)	P11026417-0117	C5JFR36C1102/L114GCA-0	114.0	112.0	42	-15.0	7.0	-2.0	79.7	E-6466	E,B			3 57 106	
4101 (left engine) "J41"	L	TPE331-14GR (HW)	P11036416-0116	B5JFR36C1103/114HCA-0	114.0	112.0	42	-15.0	10.0	-2.0	79.7	E-6466	E,B			4 57 106	
4101 (right side) "J41"	L	TPE331-14HR (HW)	P11046417-0117	C5JFR36C1104/L114HCA-0	114.0	112.0	42	-15.0	10.0	-2.0	79.7	E-6466	E,B			4 57 106	
JODEL																	
D-140	L	O-360-A1A (LY)	OBSOLETE	2D36C14/78KM-4	74.0	74.0	30		12.7		27.5	D-2137	S				1
LOCKHEED AIRCRAFT INTERNATIONAL																	
402-2 (S/N 1 ONLY) "LASA 60"	L	IO-470-G (TCM)	OBSOLETE	B2A36C31/90M-4	86.0	84.0	36		9.0		22.3	D-2845	S				1
402-2 "LASA 60"	L	IO-470-R (TCM)	OBSOLETE	D2A36C33/90M-4	86.0	84.0	36		9.0		22.3	D-2845-1 D-2771-1	S S				1 30
402-2 "LASA 60"	L	TSIO-470-B (TCM)	OBSOLETE	D2A36C33/90M-4	86.0	84.0	36		10.0		27.5	D-2845-1 D-2771-1	S S				1 30
MAULE AEROSPACE TECHNOLOGY, Inc.																	
M-4-180C	L	6A-335-B1A (FR)	OBSOLETE	2A34C22/84SF-6	78.0	76.5	30		11.5		22.0	D-4101	S				1
M-4-180S	L	6A-335-B1A (FR)	OBSOLETE	2A34C22/84SF-6	78.0	76.5	30		11.5		22.0	D-4101	S				1
M-4-180T	L	6A-335-B1A (FR)	OBSOLETE	2A34C22/84SF-6	78.0	76.5	30		11.5		22.0	D-4101	S				1

Constant Speed Propeller Applications

Aircraft		Engine		Part Number	Model	Diameter		Ref		Blade Angles			Spinner		Governors	STC Number STC Holder STC Kit P/N	Notes
Model	T Y P E	Model (Make)				Max	Min	Sta	Rev	Low or Flight Idle	Latch or Start Locks	High or Feather	Assembly P/N	T y p e			
M-4-180V	L	O-360-C1F (LY)			Hartzell - See aircraft TCDS									DC290D1/T12 C290D3/T29			
M-4-210	F L S	IO-360-A (TCM)	OBSOLETE		D2A34C67/76C-2	74.0	74.0	30		12.5		23.0	D-2845-1 D-2771-1	S S		1 30	
M-4-210	F L S	IO-360-A (TCM)	P2094447-52		2A34C209/78CCA-4E	74.0	72.0	30		12.5		23.0	D-2845	S	SA03406AT Wright Aircraft		
M-4-210C	F L S	IO-360-A (TCM)	OBSOLETE		D2A34C67/76C-2	74.0	74.0	30		12.5		23.0	D-2845-1 D-2771-1	S S		1 30	
M-4-210C	F L S	IO-360-A (TCM)	P2094447-52		2A34C209/78CCA-4E	74.0	72.0	30		12.5		23.0	D-2845	S	SA03406AT Wright Aircraft		
M-4-210C	F L S	IO-360-D (TCM)	OBSOLETE		D2A34C67/76C-2	74.0	74.0	30		12.5		23.0	D-2845-1 D-2771-1	S S		1 30	
M-4-210C	F L S	IO-360-D (TCM)	P2094447-52		2A34C209/78CCA-4E	74.0	72.0	30		12.5		23.0	D-2845	S	SA03406AT Wright Aircraft		
M-4-210S	F L S	IO-360-A (TCM)	OBSOLETE		D2A34C67/76C-2	74.0	74.0	30		12.5		23.0	D-2845-1 D-2771-1	S S		1 30	
M-4-210S	F L S	IO-360-A (TCM)	P2094447-52		2A34C209/78CCA-4E	74.0	72.0	30		12.5		23.0	D-2845	S	SA03406AT Wright Aircraft		
M-4-210T	F L S	IO-360-A (TCM)	OBSOLETE		D2A34C67/76C-2	74.0	74.0	30		12.5		23.0	D-2845-1 D-2771-1	S S		1 30	
M-4-210T	F L S	IO-360-A (TCM)	P2094447-52		2A34C209/78CCA-4E	74.0	72.0	30		12.5		23.0	D-2845	S	SA03406AT Wright Aircraft		
M-4-220	F L S	6A-350-C1 (FR)	OBSOLETE		2A34C22/84SF-6	78.0	74.5	30		11.5		22.0	D-4101	S		1	
M-4-220	F L S	6A-350-C1 (FR)	OBSOLETE		2A31C21/84S-6	78.0	74.0	30		12.8		23.1				1	
M-4-220C	F L S	6A-350-C1 (FR)	OBSOLETE		2A34C22/84SF-6	78.0	74.5	30		11.5		22.0	D-4101	S		1	
M-4-220C	F L S	6A-350-C1 (FR)	OBSOLETE		2A31C21/84S-6	78.0	74.0	30		12.8		23.1				1	
M-4-220S	F L S	6A-350-C1 (FR)	OBSOLETE		2A34C22/84SF-6	78.0	74.5	30		11.5		22.0	D-4101	S		1	
M-4-220S	F L S	6A-350-C1 (FR)	OBSOLETE		2A31C21/84S-6	78.0	74.0	30		12.8		23.1				1	

Constant Speed Propeller Applications

Aircraft		Engine		Part Number	Model	Diameter		Ref		Blade Angles			Spinner		Governors	STC Number STC Holder STC Kit P/N	Notes
Model	TYPE	Model (Make)	Model			Max	Min	Sta	Rev	Low or Flight Idle	Latch or Start Locks	High or Feather	Assembly P/N	Type			
M-4-220T	F L S	6A-350-C1 (FR)	OBSOLETE	2A34C22/84SF-6	78.0	74.5	30			11.5		22.0	D-4101	S			1
M-4-220T	F L S	6A-350-C1 (FR)	OBSOLETE	2A31C21/84S-6	78.0	74.0	30			12.8		23.1					1
M-5-180C	L	O-360-C1F (LY)		Hartzell - See aircraft TCDS											DC290D1/T12 C290D3/T29		
M-5-210C	F L S	IO-360-D (TCM)	OBSOLETE	D2A34C67/76C-2	74.0	74.0	30			12.5		23.0	D-2845-1 D-2771-1	S S			1 30
M-5-210C	F L S	IO-360-D (TCM)	P2094447-52	2A34C209/78CCA-4E	74.0	72.0	30			12.5		23.0	D-2845	S		SA03406AT Wright Aircraft	
M-5-220C	F L S	6A-350-C1 (FR)	OBSOLETE	2A34C22/84SF-6	78.0	74.5	30			11.5		22.0	D-4101	S			1
M-5-235C				B2D37C224/90RA-9	81.0											SA2728SO Erik van Veenen	
M-5-235C			P2246262-02	B2D37C224/90RA-4	86.0											SA2728SO Erik van Veenen	
M-5-235C				B3D32C414/82NDA-2	80.0											SA2728SO Erik van Veenen	
M-5-235C	F L S	O-540-B4B5 (LY)	P4146245-03	B3D32C414/82NDA-2	80.0	76.0	30			13.3		30.0	D-6240	P	DC290D1/T15 C290D3/T31		31
M-5-235C	F L S	O-540-B4B5 (LY)	P4146245-04	B3D32C414/82NDA-4	78.0	76.0	30			14.0		30.0	D-6240	P	DC290D1/T15 C290D3/T31		31
M-5-235C	F L S	O-540-B4B5 (LY)		Hartzell - See aircraft TCDS											DC290D1/T15 C290D3/T31		
M-5-235C	F L S	O-540-J1A5D (LY)	P4146245-02	B3D32C414/82NDA-2	80.0	76.0	30			15.0		30.0	D-6240	P	DC290D1/T14 C290D3/T30		31
M-5-235C	F L S	O-540-J1A5D (LY)	P2246262-01	B2D37C224/90RA-9	81.0	78.0	30			14.7		24.6	D-6195	P	DC290D1/T14 C290D3/T30		31
M-5-235C	F L S	O-540-J1A5D (LY)		Hartzell - See aircraft TCDS											DC290D1/T14 C290D3/T30		
M-5-235C	F L S	O-540-J3A5 (LY)	P4146245-02	B3D32C414/82NDA-2	80.0	76.0	30			15.0		30.0	D-6240	P	DC290D1/T14 C290D3/T30		31
M-5-235C	F L S	O-540-J3A5 (LY)	P2246262-01	B2D37C224/90RA-9	81.0	78.0	30			14.7		24.6	D-6195	P	DC290D1/T14 C290D3/T30		31

Constant Speed Propeller Applications

Aircraft		Engine		Part Number	Model	Diameter		Ref		Blade Angles			Spinner		Governors	STC Number STC Holder STC Kit P/N	Notes
Model	TYPE	Model (Make)				Max	Min	Sta	Rev	Low or Flight Idle	Latch or Start Locks	High or Feather	Assembly P/N	Type			
M-5-235C	F L S	O-540-J3A5 (LY)			Hartzell - See aircraft TCDS										DC290D1/T14 C290D3/T30		
M-5-235C	F L S	IO-540-W1A5 (LY)	P4146245-02		B3D32C414/82NDA-2	80.0	76.0	30		15.0		30.0	D-6240	P	DC290D1/T14 C290D3/T30		31
M-5-235C	F L S	IO-540-W1A5 (LY)	P2246262-01		B2D37C224/90RA-9	81.0	78.0	30		14.7		24.6	D-6195	P	DC290D1/T14 C290D3/T30		31
M-5-235C	F L S	IO-540-W1A5 (LY)			Hartzell - See aircraft TCDS										DC290D1/T14 C290D3/T30		
M-5-235C	F L S	IO-540-W1A5D (LY)	P4146245-02		B3D32C414/82NDA-2	80.0	76.0	30		15.0		30.0	D-6240	P	DC290D1/T14 C290D3/T30		31
M-5-235C	F L S	IO-540-W1A5D (LY)	P2246262-01		B2D37C224/90RA-9	81.0	78.0	30		14.7		24.6	D-6195	P	DC290D1/T14 C290D3/T30		31
M-5-235C	F L S	IO-540-W1A5D (LY)			Hartzell - See aircraft TCDS										DC290D1/T14 C290D3/T30		
M-6-180	L	O-360-C1F (LY)			Hartzell - See aircraft TCDS										DC290D1/T12 C290D3/T29		
M-6-235					B2D37C224/90RA-9	81.0										SA2728SO Erik van Veenen	
M-6-235			P2246262-02		B2D37C224/90RA-4	86.0										SA2728SO Erik van Veenen	
M-6-235					B3D32C414/82NDA-2	80.0										SA2728SO Erik van Veenen	
M-6-235	F L S	O-540-B4B5 (LY)	P4146245-03		B3D32C414/82NDA-2	80.0	76.0	30		13.3		30.0	D-6240	P	DC290D1/T15 C290D3/T31		31
M-6-235	F L S	O-540-B4B5 (LY)	P4146245-04		B3D32C414/82NDA-4	78.0	76.0	30		14.0		30.0	D-6240	P	DC290D1/T15 C290D3/T31		
M-6-235	F L S	O-540-B4B5 (LY)			Hartzell - See aircraft TCDS										DC290D1/T15 C290D3/T31		
M-6-235	F L S	O-540-J1A5D (LY)	P4146245-02		B3D32C414/82NDA-2	80.0	76.0	30		15.0		30.0	D-6240	P	DC290D1/T14 C290D3/T30		31
M-6-235	F L S	O-540-J1A5D (LY)	P4146245-01		B3D32C414/82NDA-4	78.0	76.0	30		15.7		30.0	D-6240	P	DC290D1/T14 C290D3/T30		
M-6-235	F L S	O-540-J1A5D (LY)	P2246262-01		B2D37C224/90RA-9	81.0	78.0	30		14.7		24.6	D-6195	P	DC290D1/T14 C290D3/T30		31

Constant Speed Propeller Applications

Aircraft		Engine		Part Number	Model	Diameter		Ref		Blade Angles			Spinner		Governors	STC Number STC Holder STC Kit P/N	Notes
Model	T Y P E	Model (Make)				Max	Min	Sta	Rev	Low or Flight Idle	Latch or Start Locks	High or Feather	Assembly P/N	T y p e			
M-6-235	F L S	O-540-J1A5D (LY)			Hartzell - See aircraft TCDS										DC290D1/T14 C290D3/T30		
M-6-235	F L S	O-540-J3A5 (LY)	P4146245-02	B3D32C414/82NDA-2	80.0	76.0	30		15.0		30.0	D-6240	P	DC290D1/T14 C290D3/T30		31	
M-6-235	F L S	O-540-J3A5 (LY)	P4146245-01	B3D32C414/82NDA-4	78.0	76.0	30		15.7		30.0	D-6240	P	DC290D1/T14 C290D3/T30			
M-6-235	F L S	O-540-J3A5 (LY)	P2246262-01	B2D37C224/90RA-9	81.0	78.0	30		14.7		24.6	D-6195	P	DC290D1/T14 C290D3/T30		31	
M-6-235	F L S	O-540-J3A5 (LY)			Hartzell - See aircraft TCDS									DC290D1/T14 C290D3/T30			
M-6-235	F L S	IO-540-W1A5 (LY)	P4146245-02	B3D32C414/82NDA-2	80.0	76.0	30		15.0		30.0	D-6240	P	DC290D1/T14 C290D3/T30		31	
M-6-235	F L S	IO-540-W1A5 (LY)	P4146245-01	B3D32C414/82NDA-4	78.0	76.0	30		15.7		30.0	D-6240	P	DC290D1/T14 C290D3/T30			
M-6-235	F L S	IO-540-W1A5 (LY)	P2246262-01	B2D37C224/90RA-9	81.0	78.0	30		14.7		24.6	D-6195	P	DC290D1/T14 C290D3/T30		31	
M-6-235	F L S	IO-540-W1A5 (LY)			Hartzell - See aircraft TCDS									DC290D1/T14 C290D3/T30			
M-6-235	F L S	IO-540-W1A5D (LY)	P4146245-02	B3D32C414/82NDA-2	80.0	76.0	30		15.0		30.0	D-6240	P	DC290D1/T14 C290D3/T30		31	
M-6-235	F L S	IO-540-W1A5D (LY)	P4146245-01	B3D32C414/82NDA-4	78.0	76.0	30		15.7		30.0	D-6240	P	DC290D1/T14 C290D3/T30			
M-6-235	F L S	IO-540-W1A5D (LY)	P2246262-01	B2D37C224/90RA-9	81.0	78.0	30		14.7		24.6	D-6195	P	DC290D1/T14 C290D3/T30		31	
M-6-235	F L S	IO-540-W1A5D (LY)			Hartzell - See aircraft TCDS									DC290D1/T14 C290D3/T30			
M-7-235					B2D37C224/90RA-9	81.0									SA2728SO Erik van Veenen		
M-7-235			P2246262-02		B2D37C224/90RA-4	86.0									SA2728SO Erik van Veenen		
M-7-235					B3D32C414/82NDA-2	80.0									SA2728SO Erik van Veenen		
M-7-235	F L S	O-540-B4B5 (LY)	P4146245-03	B3D32C414/82NDA-2	80.0	76.0	30		13.3		30.0	D-6240	P	DC290D1/T15 C290D3/T31		31	

Constant Speed Propeller Applications

Aircraft		Engine		Part Number	Model	Diameter		Ref		Blade Angles			Spinner		Governors	STC Number STC Holder STC Kit P/N	Notes
Model	TYPE	Model (Make)				Max	Min	Sta	Rev	Low or Flight Idle	Latch or Start Locks	High or Feather	Assembly P/N	Type			
M-7-235	FLS	O-540-B4B5 (LY)	P4146245-04	B3D32C414/82NDA-4	78.0	76.0	30			14.0		30.0	D-6240	P	DC290D1/T15 C290D3/T31		
M-7-235	FLS	O-540-B4B5 (LY)		Hartzell - See aircraft TCDS											DC290D1/T15 C290D3/T31		
M-7-235	FLS	O-540-J1A5D (LY)	P4146245-02	B3D32C414/82NDA-2	80.0	76.0	30			15.0		30.0	D-6240	P	DC290D1/T14 C290D3/T30		31
M-7-235	FLS	O-540-J1A5D (LY)	P4146245-01	B3D32C414/82NDA-4	78.0	76.0	30			15.7		30.0	D-6240	P	DC290D1/T14 C290D3/T30		
M-7-235	FLS	O-540-J1A5D (LY)	P2246262-01	B2D37C224/90RA-9	81.0	78.0	30			14.7		24.6	D-6195	P	DC290D1/T14 C290D3/T30		31
M-7-235	FLS	O-540-J1A5D (LY)		Hartzell - See aircraft TCDS											DC290D1/T14 C290D3/T30		
M-7-235	FLS	O-540-J3A5 (LY)	P4146245-02	B3D32C414/82NDA-2	80.0	76.0	30			15.0		30.0	D-6240	P	DC290D1/T14 C290D3/T30		31
M-7-235	FLS	O-540-J3A5 (LY)	P4146245-01	B3D32C414/82NDA-4	78.0	76.0	30			15.7		30.0	D-6240	P	DC290D1/T14 C290D3/T30		
M-7-235	FLS	O-540-J3A5 (LY)	P2246262-01	B2D37C224/90RA-9	81.0	78.0	30			14.7		24.6	D-6195	P	DC290D1/T14 C290D3/T30		31
M-7-235	FLS	O-540-J3A5 (LY)		Hartzell - See aircraft TCDS											DC290D1/T14 C290D3/T30		
M-7-235	FLS	IO-540-W1A5 (LY)	P4146245-02	B3D32C414/82NDA-2	80.0	76.0	30			15.0		30.0	D-6240	P	DC290D1/T14 C290D3/T30		31
M-7-235	FLS	IO-540-W1A5 (LY)	P4146245-01	B3D32C414/82NDA-4	78.0	76.0	30			15.7		30.0	D-6240	P	DC290D1/T14 C290D3/T30		
M-7-235	FLS	IO-540-W1A5 (LY)	P2246262-01	B2D37C224/90RA-9	81.0	78.0	30			14.7		24.6	D-6195	P	DC290D1/T14 C290D3/T30		31
M-7-235	FLS	IO-540-W1A5 (LY)		Hartzell - See aircraft TCDS											DC290D1/T14 C290D3/T30		
M-7-235	FLS	IO-540-W1A5D (LY)	P4146245-02	B3D32C414/82NDA-2	80.0	76.0	30			15.0		30.0	D-6240	P	DC290D1/T14 C290D3/T30		31
M-7-235	FLS	IO-540-W1A5D (LY)	P4146245-01	B3D32C414/82NDA-4	78.0	76.0	30			15.7		30.0	D-6240	P	DC290D1/T14 C290D3/T30		
M-7-235	FLS	IO-540-W1A5D (LY)	P2246262-01	B2D37C224/90RA-9	81.0	78.0	30			14.7		24.6	D-6195	P	DC290D1/T14 C290D3/T30		31

Constant Speed Propeller Applications

Aircraft		Engine		Part Number	Model	Diameter		Ref		Blade Angles			Spinner		Governors	STC Number STC Holder STC Kit P/N	Notes
Model	TYPE	Model (Make)	Model			Max	Min	Sta	Rev	Low or Flight Idle	Latch or Start Locks	High or Feather	Assembly P/N	Type			
M-7-235	F L S	IO-540-W1A5D (LY)			Hartzell - See aircraft TCDS										DC290D1/T14 C290D3/T30		
M-7-235A	F L S	O-540-B4B5 (LY)	P4146245-03	B3D32C414/82NDA-2	80.0	76.0	30		13.3		30.0	D-6240	P	DC290D1/T15 C290D3/T31		31	
M-7-235A	F L S	O-540-B4B5 (LY)	P4146245-04	B3D32C414/82NDA-4	78.0	76.0	30		14.0		30.0	D-6240	P	DC290D1/T15 C290D3/T31			
M-7-235A	F L S	O-540-B4B5 (LY)	P2246262-03	B2D37C224/90RA-9	81.0	78.0	30		13.3		24.6	D-6195	P	DC290D1/T15 C290D3/T31		31	
M-7-235A	F L S	O-540-B4B5 (LY)			Hartzell - See aircraft TCDS										DC290D1/T15 C290D3/T31		
M-7-235A	F L S	O-540-J1A5D (LY)	P4146245-02	B3D32C414/82NDA-2	80.0	76.0	30		15.0		30.0	D-6240	P	DC290D1/T14 C290D3/T30		31	
M-7-235A	F L S	O-540-J1A5D (LY)	P4146245-01	B3D32C414/82NDA-4	78.0	76.0	30		15.7		30.0	D-6240	P	DC290D1/T14 C290D3/T30			
M-7-235A	F L S	O-540-J1A5D (LY)	P2246262-01	B2D37C224/90RA-9	81.0	78.0	30		14.7		24.6	D-6195	P	DC290D1/T14 C290D3/T30		31	
M-7-235A	F L S	O-540-J1A5D (LY)			Hartzell - See aircraft TCDS										DC290D1/T14 C290D3/T30		
M-7-235A	F L S	O-540-J3A5 (LY)	P4146245-02	B3D32C414/82NDA-2	80.0	76.0	30		15.0		30.0	D-6240	P	DC290D1/T14 C290D3/T30		31	
M-7-235A	F L S	O-540-J3A5 (LY)	P4146245-01	B3D32C414/82NDA-4	78.0	76.0	30		15.7		30.0	D-6240	P	DC290D1/T14 C290D3/T30			
M-7-235A	F L S	O-540-J3A5 (LY)	P2246262-01	B2D37C224/90RA-9	81.0	78.0	30		14.7		24.6	D-6195	P	DC290D1/T14 C290D3/T30		31	
M-7-235A	F L S	O-540-J3A5 (LY)			Hartzell - See aircraft TCDS										DC290D1/T14 C290D3/T30		
M-7-235A	F L S	IO-540-W1A5 (LY)	P4146245-02	B3D32C414/82NDA-2	80.0	76.0	30		15.0		30.0	D-6240	P	DC290D1/T14 C290D3/T30		31	
M-7-235A	F L S	IO-540-W1A5 (LY)	P4146245-01	B3D32C414/82NDA-4	78.0	76.0	30		15.7		30.0	D-6240	P	DC290D1/T14 C290D3/T30			
M-7-235A	F L S	IO-540-W1A5 (LY)	P2246262-01	B2D37C224/90RA-9	81.0	78.0	30		14.7		24.6	D-6195	P	DC290D1/T14 C290D3/T30		31	
M-7-235A	F L S	IO-540-W1A5 (LY)			Hartzell - See aircraft TCDS										DC290D1/T14 C290D3/T30		

Constant Speed Propeller Applications

Aircraft		Engine		Part Number	Model	Diameter		Ref		Blade Angles			Spinner		Governors	STC Number STC Holder STC Kit P/N	Notes
Model	TYPE	Model (Make)	Model			Max	Min	Sta	Rev	Low or Flight Idle	Latch or Start Locks	High or Feather	Assembly P/N	Type			
M-7-235A	F L S	IO-540-W1A5D (LY)	P4146245-02	B3D32C414/82NDA-2	80.0	76.0	30		15.0		30.0	D-6240	P	DC290D1/T14 C290D3/T30		31	
M-7-235A	F L S	IO-540-W1A5D (LY)	P4146245-01	B3D32C414/82NDA-4	78.0	76.0	30		15.7		30.0	D-6240	P	DC290D1/T14 C290D3/T30			
M-7-235A	F L S	IO-540-W1A5D (LY)	P2246262-01	B2D37C224/90RA-9	81.0	78.0	30		14.7		24.6	D-6195	P	DC290D1/T14 C290D3/T30		31	
M-7-235A	F L S	IO-540-W1A5D (LY)		Hartzell - See aircraft TCDS										DC290D1/T14 C290D3/T30			
M-7-235B	F L S	O-540-B4B5 (LY)	P4146245-03	B3D32C414/82NDA-2	80.0	76.0	30		13.3		30.0	D-6240	P	DC290D1/T15 C290D3/T31		31	
M-7-235B	F L S	O-540-B4B5 (LY)	P4146245-04	B3D32C414/82NDA-4	78.0	76.0	30		14.0		30.0	D-6240	P	DC290D1/T15 C290D3/T31			
M-7-235B	F L S	O-540-B4B5 (LY)	P2246262-03	B2D37C224/90RA-9	81.0	78.0	30		13.3		24.6	D-6195	P	DC290D1/T15 C290D3/T31		31	
M-7-235B	F L S	O-540-B4B5 (LY)		Hartzell - See aircraft TCDS										DC290D1/T15 C290D3/T31			
M-7-235B	F L S	O-540-J1A5D (LY)	P4146245-02	B3D32C414/82NDA-2	80.0	76.0	30		15.0		30.0	D-6240	P	DC290D1/T14 C290D3/T30		31	
M-7-235B	F L S	O-540-J1A5D (LY)	P4146245-01	B3D32C414/82NDA-4	78.0	76.0	30		15.7		30.0	D-6240	P	DC290D1/T14 C290D3/T30			
M-7-235B	F L S	O-540-J1A5D (LY)	P2246262-01	B2D37C224/90RA-9	81.0	78.0	30		14.7		24.6	D-6195	P	DC290D1/T14 C290D3/T30		31	
M-7-235B	F L S	O-540-J1A5D (LY)		Hartzell - See aircraft TCDS										DC290D1/T14 C290D3/T30			
M-7-235B	F L S	O-540-J3A5 (LY)	P4146245-02	B3D32C414/82NDA-2	80.0	76.0	30		15.0		30.0	D-6240	P	DC290D1/T14 C290D3/T30		31	
M-7-235B	F L S	O-540-J3A5 (LY)	P4146245-01	B3D32C414/82NDA-4	78.0	76.0	30		15.7		30.0	D-6240	P	DC290D1/T14 C290D3/T30			
M-7-235B	F L S	O-540-J3A5 (LY)	P2246262-01	B2D37C224/90RA-9	81.0	78.0	30		14.7		24.6	D-6195	P	DC290D1/T14 C290D3/T30		31	
M-7-235B	F L S	O-540-J3A5 (LY)		Hartzell - See aircraft TCDS										DC290D1/T14 C290D3/T30			
M-7-235B	F L S	IO-540-W1A5 (LY)	P4146245-02	B3D32C414/82NDA-2	80.0	76.0	30		15.0		30.0	D-6240	P	DC290D1/T14 C290D3/T30		31	

Constant Speed Propeller Applications

Aircraft		Engine		Part Number	Model	Diameter		Ref		Blade Angles			Spinner		Governors	STC Number STC Holder STC Kit P/N	Notes
Model	TYPE	Model (Make)	Model			Max	Min	Sta	Rev	Low or Flight Idle	Latch or Start Locks	High or Feather	Assembly P/N	Type			
M-7-235B	FLS	IO-540-W1A5 (LY)	P4146245-01	B3D32C414/82NDA-4	78.0	76.0	30		15.7		30.0	D-6240	P	DC290D1/T14 C290D3/T30			
M-7-235B	FLS	IO-540-W1A5 (LY)	P2246262-01	B2D37C224/90RA-9	81.0	78.0	30		14.7		24.6	D-6195	P	DC290D1/T14 C290D3/T30		31	
M-7-235B	FLS	IO-540-W1A5 (LY)		Hartzell - See aircraft TCDS										DC290D1/T14 C290D3/T30			
M-7-235B	FLS	IO-540-W1A5D (LY)	P4146245-02	B3D32C414/82NDA-2	80.0	76.0	30		15.0		30.0	D-6240	P	DC290D1/T14 C290D3/T30		31	
M-7-235B	FLS	IO-540-W1A5D (LY)	P4146245-01	B3D32C414/82NDA-4	78.0	76.0	30		15.7		30.0	D-6240	P	DC290D1/T14 C290D3/T30			
M-7-235B	FLS	IO-540-W1A5D (LY)	P2246262-01	B2D37C224/90RA-9	81.0	78.0	30		14.7		24.6	D-6195	P	DC290D1/T14 C290D3/T30		31	
M-7-235B	FLS	IO-540-W1A5D (LY)		Hartzell - See aircraft TCDS										DC290D1/T14 C290D3/T30			
M-7-235C	FLS	O-540-B4B5 (LY)	P4146245-03	B3D32C414/82NDA-2	80.0	76.0	30		13.3		30.0	D-6240	P	DC290D1/T15 C290D3/T31		31	
M-7-235C	FLS	O-540-B4B5 (LY)	P4146245-04	B3D32C414/82NDA-4	78.0	76.0	30		14.0		30.0	D-6240	P	DC290D1/T15 C290D3/T31			
M-7-235C	FLS	O-540-B4B5 (LY)	P2246262-03	B2D37C224/90RA-9	81.0	78.0	30		13.3		24.6	D-6195	P	DC290D1/T15 C290D3/T31		31	
M-7-235C	FLS	O-540-B4B5 (LY)		Hartzell - See aircraft TCDS										DC290D1/T15 C290D3/T31			
M-7-235C	FLS	O-540-J1A5D (LY)	P4146245-02	B3D32C414/82NDA-2	80.0	76.0	30		15.0		30.0	D-6240	P	DC290D1/T14 C290D3/T30		31	
M-7-235C	FLS	O-540-J1A5D (LY)	P4146245-01	B3D32C414/82NDA-4	78.0	76.0	30		15.7		30.0	D-6240	P	DC290D1/T14 C290D3/T30			
M-7-235C	FLS	O-540-J1A5D (LY)	P2246262-01	B2D37C224/90RA-9	81.0	78.0	30		14.7		24.6	D-6195	P	DC290D1/T14 C290D3/T30		31	
M-7-235C	FLS	O-540-J1A5D (LY)		Hartzell - See aircraft TCDS										DC290D1/T14 C290D3/T30			
M-7-235C	FLS	O-540-J3A5 (LY)	P4146245-02	B3D32C414/82NDA-2	80.0	76.0	30		15.0		30.0	D-6240	P	DC290D1/T14 C290D3/T30		31	
M-7-235C	FLS	O-540-J3A5 (LY)	P4146245-01	B3D32C414/82NDA-4	78.0	76.0	30		15.7		30.0	D-6240	P	DC290D1/T14 C290D3/T30			

Constant Speed Propeller Applications

Aircraft		Engine			Diameter		Ref		Blade Angles			Spinner		Governors	STC Number STC Holder STC Kit P/N	Notes
Model	TYPE	Model (Make)	Part Number	Model	Max	Min	Sta	Rev	Low or Flight Idle	Latch or Start Locks	High or Feather	Assembly P/N	Type			
M-7-235C	FLS	O-540-J3A5 (LY)	P2246262-01	B2D37C224/90RA-9	81.0	78.0	30		14.7		24.6	D-6195	P	DC290D1/T14 C290D3/T30		31
M-7-235C	FLS	O-540-J3A5 (LY)		Hartzell - See aircraft TCDS										DC290D1/T14 C290D3/T30		
M-7-235C	FLS	IO-540-W1A5 (LY)	P4146245-02	B3D32C414/82NDA-2	80.0	76.0	30		15.0		30.0	D-6240	P	DC290D1/T14 C290D3/T30		31
M-7-235C	FLS	IO-540-W1A5 (LY)	P4146245-01	B3D32C414/82NDA-4	78.0	76.0	30		15.7		30.0	D-6240	P	DC290D1/T14 C290D3/T30		
M-7-235C	FLS	IO-540-W1A5 (LY)	P2246262-01	B2D37C224/90RA-9	81.0	78.0	30		14.7		24.6	D-6195	P	DC290D1/T14 C290D3/T30		31
M-7-235C	FLS	IO-540-W1A5 (LY)		Hartzell - See aircraft TCDS										DC290D1/T14 C290D3/T30		
M-7-235C	FLS	IO-540-W1A5D (LY)	P4146245-02	B3D32C414/82NDA-2	80.0	76.0	30		15.0		30.0	D-6240	P	DC290D1/T14 C290D3/T30		31
M-7-235C	FLS	IO-540-W1A5D (LY)	P4146245-01	B3D32C414/82NDA-4	78.0	76.0	30		15.7		30.0	D-6240	P	DC290D1/T14 C290D3/T30		
M-7-235C	FLS	IO-540-W1A5D (LY)	P2246262-01	B2D37C224/90RA-9	81.0	78.0	30		14.7		24.6	D-6195	P	DC290D1/T14 C290D3/T30		31
M-7-235C	FLS	IO-540-W1A5D (LY)		Hartzell - See aircraft TCDS										DC290D1/T14 C290D3/T30		
M-7-260	FLS	IO-540-V4A5 (LY)	P4146245-06	B3D32C414/82NDA-2	80.0	76.0	30		11.3		30.0	D-6240	P	DC290D1/T33		
M-7-260	FLS	IO-540-V4A5 (LY)	P4146245-05	B3D32C414/82NDA-4	78.0	76.0	30		12.0		30.0	D-6240	P	DC290D1/T33		
M-7-260	FLS	IO-540-V4A5 (LY)	P2246262-05	B2D37C224/90RA-10.5	79.5	78.0	30		13.1		29.5	D-6195	P	DC290D1/T33		
M-7-260	FLS	IO-540-V4A5 (LY)	P2246262-04	B2D37C224/90RA-12	78.0	77.0	30		13.4		29.5	D-6195	P	DC290D1/T33		
M-7-260	FLS	IO-540-V4A5 (LY)		MT Propeller see aircraft TCDS										DC290D1/T33		
M-7-260	FLS	IO-540-V4A5 (LY)		Hartzell - See aircraft TCDS										DC290D1/T33		
M-7-260C	FLS	IO-540-V4A5 (LY)	P4146245-06	B3D32C414/82NDA-2	80.0	76.0	30		11.3		30.0	D-6240	P	DC290D1/T33		

Constant Speed Propeller Applications

Aircraft		Engine			Diameter		Ref		Blade Angles			Spinner		Governors	STC Number STC Holder STC Kit P/N	Notes
Model	TYPE	Model (Make)	Part Number	Model	Max	Min	Sta	Rev	Low or Flight Idle	Latch or Start Locks	High or Feather	Assembly P/N	Type			
M-7-260C	FLS	IO-540-V4A5 (LY)	P4146245-05	B3D32C414/82NDA-4	78.0	76.0	30		12.0		30.0	D-6240	P	DC290D1/T33		
M-7-260C	FLS	IO-540-V4A5 (LY)	P2246262-05	B2D37C224/90RA-10.5	79.5	78.0	30		13.1		29.5	D-6195	P	DC290D1/T33		
M-7-260C	FLS	IO-540-V4A5 (LY)	P2246262-04	B2D37C224/90RA-12	78.0	77.0	30		13.4		29.5	D-6195	P	DC290D1/T33		
M-7-260C	FLS	IO-540-V4A5 (LY)		MT Propeller see aircraft TCDS										DC290D1/T33		
M-7-260C	FLS	IO-540-V4A5 (LY)		Hartzell - See aircraft TCDS										DC290D1/T33		
MT-7-235	FLS	IO-540-W1A5 (LY)	P4146245-02	B3D32C414/82NDA-2	80.0	76.0	30		15.0		30.0	D-6240	P	DC290D1/T14 C290D3/T30		
MT-7-235	FLS	IO-540-W1A5 (LY)	P4146245-01	B3D32C414/82NDA-4	78.0	76.0	30		15.7		30.0	D-6240	P	DC290D1/T14 C290D3/T30		
MT-7-235	FLS	IO-540-W1A5 (LY)	P2246262-01	B2D37C224/90RA-9	81.0	78.0	30		14.7		24.6	D-6195	P	DC290D1/T14 C290D3/T30		31
MT-7-235	FLS	IO-540-W1A5 (LY)		Hartzell - See aircraft TCDS										DC290D1/T14 C290D3/T30		
MT-7-235	FLS	IO-540-W1A5D (LY)	P4146245-02	B3D32C414/82NDA-2	80.0	76.0	30		15.0		30.0	D-6240	P	DC290D1/T14 C290D3/T30		
MT-7-235	FLS	IO-540-W1A5D (LY)	P4146245-01	B3D32C414/82NDA-4	78.0	76.0	30		15.7		30.0	D-6240	P	DC290D1/T14 C290D3/T30		
MT-7-235	FLS	IO-540-W1A5D (LY)	P2246262-01	B2D37C224/90RA-9	81.0	78.0	30		14.7		24.6	D-6195	P	DC290D1/T14 C290D3/T30		31
MT-7-235	FLS	IO-540-W1A5D (LY)		Hartzell - See aircraft TCDS										DC290D1/T14 C290D3/T30		
MT-7-260	FLS	IO-540-V4A5 (LY)	P4146245-06	B3D32C414/82NDA-2	80.0	76.0	30		11.3		30.0	D-6240	P	DC290D1/T33		
MT-7-260	FLS	IO-540-V4A5 (LY)	P4146245-05	B3D32C414/82NDA-4	78.0	76.0	30		12.0		30.0	D-6240	P	DC290D1/T33		
MT-7-260	FLS	IO-540-V4A5 (LY)	P2246262-05	B2D37C224/90RA-10.5	79.5	78.0	30		13.1		29.5	D-6195	P	DC290D1/T33		
MT-7-260	FLS	IO-540-V4A5 (LY)	P2246262-04	B2D37C224/90RA-12	78.0	77.0	30		13.4		29.5	D-6195	P	DC290D1/T33		

Constant Speed Propeller Applications

Aircraft		Engine		Part Number	Model	Diameter		Ref		Blade Angles			Spinner		Governors	STC Number STC Holder STC Kit P/N	Notes
Model	TYPE	Model (Make)				Max	Min	Sta	Rev	Low or Flight Idle	Latch or Start Locks	High or Feather	Assembly P/N	Type			
MT-7-260	FLS	IO-540-V4A5 (LY)			MT Propeller see aircraft TCDS										DC290D1/T33		
MT-7-260	FLS	IO-540-V4A5 (LY)			Hartzell - See aircraft TCDS										DC290D1/T33		
MX-7-180	FLS	O-360-C1F (LY)			Hartzell - See aircraft TCDS										DC290D1/T12 C290D3/T29		
MX-7-180B	FLS	O-360-C1F (LY)			Hartzell - See aircraft TCDS										DC290D1/T12 C290D3/T29		
MX-7-180C	FLS	O-360-C1F (LY)			Hartzell - See aircraft TCDS										DC290D1/T12 C290D3/T29		
MX-7-235					B2D37C224/90RA-9	81.0										SA2728SO Erik van Veenen	
MX-7-235			P2246262-02		B2D37C224/90RA-4	86.0										SA2728SO Erik van Veenen	
MX-7-235					B3D32C414/82NDA-2	80.0										SA2728SO Erik van Veenen	
MX-7-235	FLS	O-540-B4B5 (LY)	P4146245-03		B3D32C414/82NDA-2	80.0	76.0	30		13.3		30.0	D-6240	P	DC290D1/T15 C290D3/T31		31
MX-7-235	FLS	O-540-B4B5 (LY)	P4146245-04		B3D32C414/82NDA-4	78.0	76.0	30		14.0		30.0	D-6240	P	DC290D1/T15 C290D3/T31		
MX-7-235	FLS	O-540-B4B5 (LY)			Hartzell - See aircraft TCDS										DC290D1/T15 C290D3/T31		
MX-7-235	FLS	O-540-J1A5D (LY)	P4146245-02		B3D32C414/82NDA-2	80.0	76.0	30		15.0		30.0	D-6240	P	DC290D1/T14 C290D3/T30		31
MX-7-235	FLS	O-540-J1A5D (LY)	P4146245-01		B3D32C414/82NDA-4	78.0	76.0	30		15.7		30.0	D-6240	P	DC290D1/T14 C290D3/T30		
MX-7-235	FLS	O-540-J1A5D (LY)	P2246262-01		B2D37C224/90RA-9	81.0	78.0	30		14.7		24.6	D-6195	P	DC290D1/T14 C290D3/T30		31
MX-7-235	FLS	O-540-J1A5D (LY)			Hartzell - See aircraft TCDS										DC290D1/T14 C290D3/T30		
MX-7-235	FLS	O-540-J3A5 (LY)	P4146245-02		B3D32C414/82NDA-2	80.0	76.0	30		15.0		30.0	D-6240	P	DC290D1/T14 C290D3/T30		31
MX-7-235	FLS	O-540-J3A5 (LY)	P4146245-01		B3D32C414/82NDA-4	78.0	76.0	30		15.7		30.0	D-6240	P	DC290D1/T14 C290D3/T30		
MX-7-235	FLS	O-540-J3A5 (LY)	P2246262-01		B2D37C224/90RA-9	81.0	78.0	30		14.7		24.6	D-6195	P	DC290D1/T14 C290D3/T30		31

Constant Speed Propeller Applications

Aircraft		Engine		Part Number	Model	Diameter		Ref		Blade Angles			Spinner		Governors	STC Number STC Holder STC Kit P/N	Notes
Model	TYPE	Model (Make)	Model			Max	Min	Sta	Rev	Low or Flight Idle	Latch or Start Locks	High or Feather	Assembly P/N	Type			
MX-7-235	F L S	O-540-J3A5 (LY)			Hartzell - See aircraft TCDS										DC290D1/T14 C290D3/T30		
MX-7-235	F L S	IO-540-W1A5 (LY)	P4146245-02	B3D32C414/82NDA-2	80.0	76.0	30		15.0		30.0	D-6240	P	DC290D1/T14 C290D3/T30			31
MX-7-235	F L S	IO-540-W1A5 (LY)	P4146245-01	B3D32C414/82NDA-4	78.0	76.0	30		15.7		30.0	D-6240	P	DC290D1/T14 C290D3/T30			
MX-7-235	F L S	IO-540-W1A5 (LY)	P2246262-01	B2D37C224/90RA-9	81.0	78.0	30		14.7		24.6	D-6195	P	DC290D1/T14 C290D3/T30			31
MX-7-235	F L S	IO-540-W1A5 (LY)			Hartzell - See aircraft TCDS										DC290D1/T14 C290D3/T30		
MX-7-235	F L S	IO-540-W1A5D (LY)	P4146245-02	B3D32C414/82NDA-2	80.0	76.0	30		15.0		30.0	D-6240	P	DC290D1/T14 C290D3/T30			31
MX-7-235	F L S	IO-540-W1A5D (LY)	P4146245-01	B3D32C414/82NDA-4	78.0	76.0	30		15.7		30.0	D-6240	P	DC290D1/T14 C290D3/T30			
MX-7-235	F L S	IO-540-W1A5D (LY)	P2246262-01	B2D37C224/90RA-9	81.0	78.0	30		14.7		24.6	D-6195	P	DC290D1/T14 C290D3/T30			31
MX-7-235	F L S	IO-540-W1A5D (LY)			Hartzell - See aircraft TCDS										DC290D1/T14 C290D3/T30		
MXT-7-180	F L	O-360-C1F (LY)			Hartzell - See aircraft TCDS										DC290D1/T12 C290D3/T29		
M-8-235	L	O-540-B4B5 (LY)	P4146245-03	B3D32C414/82NDA-2	80.0	76.0	30		13.3		30.0	D-6240	P	DC290D1/T15 C290D3/T31			31
M-8-235	L	O-540-B4B5 (LY)	P4146245-04	B3D32C414/82NDA-4	78.0	76.0	30		14.0		30.0	D-6240	P	DC290D1/T15 C290D3/T31			
M-8-235	L	O-540-B4B5 (LY)	P2246262-03	B2D37C224/90RA-9	81.0	78.0	30		13.3		24.6	D-6195	P	DC290D1/T15 C290D3/T31			31
M-8-235	L	O-540-B4B5 (LY)			Hartzell - See aircraft TCDS										DC290D1/T15 C290D3/T31		
M-8-235	L	O-540-J1A5D (LY)	P4146245-02	B3D32C414/82NDA-2	80.0	76.0	30		15.0		30.0	D-6240	P	DC290D1/T14 C290D3/T30			31
M-8-235	L	O-540-J1A5D (LY)	P4146245-01	B3D32C414/82NDA-4	78.0	76.0	30		15.7		30.0	D-6240	P	DC290D1/T14 C290D3/T30			
M-8-235	L	O-540-J1A5D (LY)	P2246262-01	B2D37C224/90RA-9	81.0	78.0	30		14.7		24.6	D-6195	P	DC290D1/T14 C290D3/T30			31
M-8-235	L	O-540-J1A5D (LY)			Hartzell - See aircraft TCDS										DC290D1/T14 C290D3/T30		
M-8-235	L	O-540-J3A5 (LY)	P4146245-02	B3D32C414/82NDA-2	80.0	76.0	30		15.0		30.0	D-6240	P	DC290D1/T14 C290D3/T30			31
M-8-235	L	O-540-J3A5 (LY)	P4146245-01	B3D32C414/82NDA-4	78.0	76.0	30		15.7		30.0	D-6240	P	DC290D1/T14 C290D3/T30			
M-8-235	L	O-540-J3A5 (LY)	P2246262-01	B2D37C224/90RA-9	81.0	78.0	30		14.7		24.6	D-6195	P	DC290D1/T14 C290D3/T30			31

Constant Speed Propeller Applications

Aircraft		Engine		Part Number	Model	Diameter		Ref		Blade Angles			Spinner		Governors	STC Number STC Holder STC Kit P/N	Notes
Model	T Y P E	Model (Make)				Max	Min	Sta	Rev	Low or Flight Idle	Latch or Start Locks	High or Feather	Assembly P/N	T y p e			
M-8-235	L	O-540-J3A5 (LY)			Hartzell - See aircraft TCDS										DC290D1/T14 C290D3/T30		
M-8-235	L	IO-540-W1A5 (LY)	P4146245-02	B3D32C414/82NDA-2		80.0	76.0	30		15.0		30.0	D-6240	P	DC290D1/T14 C290D3/T30		31
M-8-235	L	IO-540-W1A5 (LY)	P4146245-01	B3D32C414/82NDA-4		78.0	76.0	30		15.7		30.0	D-6240	P	DC290D1/T14 C290D3/T30		
M-8-235	L	IO-540-W1A5 (LY)	P2246262-01	B2D37C224/90RA-9		81.0	78.0	30		14.7		24.6	D-6195	P	DC290D1/T14 C290D3/T30		31
M-8-235	L	IO-540-W1A5 (LY)			Hartzell - See aircraft TCDS										DC290D1/T14 C290D3/T30		
M-8-235	L	IO-540-W1A5D (LY)	P4146245-02	B3D32C414/82NDA-2		80.0	76.0	30		15.0		30.0	D-6240	P	DC290D1/T14 C290D3/T30		31
M-8-235	L	IO-540-W1A5D (LY)	P4146245-01	B3D32C414/82NDA-4		78.0	76.0	30		15.7		30.0	D-6240	P	DC290D1/T14 C290D3/T30		
M-8-235	L	IO-540-W1A5D (LY)	P2246262-01	B2D37C224/90RA-9		81.0	78.0	30		14.7		24.6	D-6195	P	DC290D1/T14 C290D3/T30		31
M-8-235	L	IO-540-W1A5D (LY)			Hartzell - See aircraft TCDS										DC290D1/T14 C290D3/T30		
MELEX																	
Wilga 80	L	IO-550-D (TCM)	P2286737-51	B2A37C228/90RDA-4		86.0	84.0	30		11.5		29.5	D-5255	P			
MEYERS (Prop-Jets, Inc., formerly Interceptor, Aero Commander)																	
200	L	IO-470-M (TCM)	OBSOLETE	2A36C18/90M-6		84.0	82.5	36		10.0		25.0	D-2845-2	S			1
200A	L	IO-470-D (TCM)	OBSOLETE	B2A36C31/90M-6		84.0	82.0	36		11.0		27.5	D-2845	S			1
200A	L	IO-470-D (TCM)	OBSOLETE	B2A36C31/90M-10		80.0	80.0	36		11.4		27.5	D-2845	S			1
200A	L	IO-470-D (TCM)	OBSOLETE	D2A36C31/90M-10		80.0	80.0	36		11.4		27.5	D-2845-1	S			1
200A	L	IO-470-D (TCM)	OBSOLETE	D2A36C33/90M-8		82.0	80.0	36		11.2		27.5	D-2845-1	S			1
200A	L	IO-470-D (TCM)	OBSOLETE	D2A36C33/90M-10		80.0	80.0	36		11.4		27.5	D-2845-1	S			1
200B	L	IO-470-D (TCM)	OBSOLETE	B2A36C31/90M-6		84.0	82.0	36		11.0		27.5	D-2845	S			1
200B	L	IO-470-D (TCM)	OBSOLETE	B2A36C31/90M-10		80.0	80.0	36		11.4		27.5	D-2845	S			1
200B	L	IO-470-D (TCM)	OBSOLETE	D2A36C31/90M-10		80.0	80.0	36		11.4		27.5	D-2845-1	S			1
200B	L	IO-470-D (TCM)	OBSOLETE	D2A36C33/90M-8		82.0	80.0	36		11.2		27.5	D-2845-1	S			1
200B	L	IO-470-D (TCM)	OBSOLETE	D2A36C33/90M-10		80.0	80.0	36		11.4		27.5	D-2845-1	S			1
200B	L	IO-520-A (TCM)	OBSOLETE	D2A34C58/90AT-8		82.0	80.0	36		10.3		27.5	D-2845-1 D-2771	S			1
200B	L	IO-520-A (TCM)	OBSOLETE	3A32C76/82NB-2		80.0		30					D-3584	S	SA1241SO McGee Sparks		1
200C	L	IO-470-D (TCM)	OBSOLETE	B2A36C31/90M-6		84.0	82.0	36		11.0		27.5	D-2845	S			1
200C	L	IO-470-D (TCM)	OBSOLETE	D2A36C33/90M-8		82.0	80.0	36		11.2		27.5	D-2845-1	S			1
200C	L	IO-470-D (TCM)	OBSOLETE	D2A36C33/90M-10		80.0	80.0	36		11.4		27.5	D-2845-1	S			1
200C	L	IO-520-A (TCM)	OBSOLETE	D2A34C58/90AT-8		82.0	80.0	36		10.3		27.5	D-2845-1 D-2771	S			1
200D	L	IO-520-A (TCM)	OBSOLETE	3A32C76/82NB-2		80.0		30					D-3584	S	SA1241SO McGee Sparks		1
MICCO AIRCRAFT COMPANY (formerly Meyers)																	
MAC-145A "SP20"	L	IO-360-C1E6 (LY)	P4247151-01	B3D36C424/74SA-0		74.0	72.0	30		9.7		33.8	D-6012-1	P	DC290D1/T23		28
MAC-145A "SP20"	L	IO-360-C1E6 (LY)	P2074392-02	B2D34C207/78TCA-0		78.0	76.0	30		11.9		27.5	D-7751-1 D-7751-2	P S	DC290D1/T23	SA01432CH McCauley PL60336	79
MOONEY AIRPLANE COMPANY, Inc.																	
M20A "Mark 20A"	L	O-360-A1A (LY)	OBSOLETE	2D36C14/78KM-4		74.0	72.0	30		12.7		27.5	D-2137	S			1 42

Constant Speed Propeller Applications

Aircraft		Engine		Part Number	Model	Diameter		Ref		Blade Angles			Spinner		Governors	STC Number STC Holder STC Kit P/N	Notes
Model	TYPE	Model (Make)	Model			Max	Min	Sta	Rev	Low or Flight Idle	Latch or Start Locks	High or Feather	Assembly P/N	Type			
M20A "Mark 20A"	L	O-360-A1A (LY)	P4247151-02	B3D36C424/74SA-0	74.0	72.0	30			8.7		33.8	D-6012-1	P	DC290D1/T9 C290D5/T24	SA315CH McCauley PL60152	67
M20A "Mark 20A"	L	O-360-A1A (LY)		Hartzell - See aircraft TCDS											DC290D1/T9 C290D5/T24		
M20A "Mark 20A"	L	O-360-A1D (LY)	OBSOLETE	2D36C14/78KM-4	74.0	72.0	30			12.7		27.5	D-2137	S			1 42
M20A "Mark 20A"	L	O-360-A1D (LY)	P4247151-02	B3D36C424/74SA-0	74.0	72.0	30			8.7		33.8	D-6012-1	P	DC290D1/T9 C290D5/T24	SA315CH McCauley PL60152	67
M20A "Mark 20A"	L	O-360-A1D (LY)		Hartzell - See aircraft TCDS											DC290D1/T9 C290D5/T24		
M20B "Mark 21"	L	O-360-A1A (LY)	OBSOLETE	2D36C14/78KM-4	74.0	72.0	30			12.7		27.5	D-2137	S			1 42
M20B "Mark 21"	L	O-360-A1D (LY)	P4155922-01	C3D36C415/82NGA-8	74.0	72.5	30			10.9		33.8	D-6323	S		SA704NE US Prop of Connecticut	92
M20B "Mark 21"	L	O-360-A1A (LY)	P4247151-02	B3D36C424/74SA-0	74.0	72.0	30			8.7		33.8	D-6012-1	P	DC290D1/T9 C290D5/T24	SA315CH McCauley PL60152	67
M20B "Mark 21"	L	O-360-A1A (LY)		Hartzell - See aircraft TCDS											DC290D1/T9 C290D5/T24		
M20B "Mark 21"	L	O-360-A1D (LY)	OBSOLETE	2D36C14/78KM-4	74.0	72.0	30			12.7		27.5	D-2137	S			1 42
M20B "Mark 21"	L	O-360-A1D (LY)	P4155922-01	C3D36C415/82NGA-8	74.0	72.5	30			10.9		33.8	D-6323	S		SA704NE US Prop of Connecticut	92
M20B "Mark 21"	L	O-360-A1D (LY)	P4247151-02	B3D36C424/74SA-0	74.0	72.0	30			8.7		33.8	D-6012-1	P	DC290D1/T9 C290D5/T24	SA315CH McCauley PL60152	67
M20B "Mark 21"	L	O-360-A1D (LY)		Hartzell - See aircraft TCDS											DC290D1/T9 C290D5/T24		
M20C "Mark 21, Ranger"	L	O-360-A1A (LY)	OBSOLETE	2D34C53/74E-0	74.0	72.5	30			12.7		27.5	D-2809	S			1
M20C "Mark 21, Ranger"	L	O-360-A1A (LY)	OBSOLETE	B2D34C53/74E-0	74.0	72.5	30			12.7		27.5	D-2809	S		SA77CE McCauley	1
M20C "Mark 21, Ranger"	L	O-360-A1A (LY)	P4155922-01	C3D36C415/82NGA-8	74.0	72.5	30			10.9		33.8	D-6323	S		SA704NE US Prop of Connecticut	92
M20C "Mark 21, Ranger"	L	O-360-A1A (LY)		Hartzell - See aircraft TCDS											DC290D1/T9 C290D5/T24		
M20C "Mark 21, Ranger"	L	O-360-A1D (LY)	OBSOLETE	2D34C53/74E-0	74.0	72.5	30			12.7		27.5	D-2809	S			1
M20C "Mark 21, Ranger"	L	O-360-A1D (LY)	OBSOLETE	B2D34C53/74E-0	74.0	72.5	30			12.7		27.5	D-2809	S		SA77CE McCauley	1
M20C "Mark 21, Ranger"	L	O-360-A1D (LY)	P4155922-01	C3D36C415/82NGA-8	74.0	72.5	30			10.9		33.8	D-6323	S		SA704NE US Prop of Connecticut	92
M20C "Mark 21, Ranger"	L	O-360-A1D (LY)	P4247151-02	B3D36C424/74SA-0	74.0	72.0	30			8.7		33.8	D-6012-1	P	DC290D1/T9 C290D5/T24	SA315CH McCauley PL60152	67

Constant Speed Propeller Applications

Aircraft		Engine		Part Number	Model	Diameter		Ref		Blade Angles			Spinner		Governors	STC Number STC Holder STC Kit P/N	Notes
Model	Type	Model (Make)	Model			Max	Min	Sta	Rev	Low or Flight Idle	Latch or Start Locks	High or Feather	Assembly P/N	Type			
M20C "Mark 21, Ranger"	L	O-360-A1D (LY)	P4247151-02	B3D36C424/74SA-0	74.0	72.0	30			8.7		33.8	D-6504	P	DC290D1/T9 C290D5/T24	SA315CH McCaughey PL60154	66 67
M20C "Mark 21, Ranger"	L	O-360-A1D (LY)		Hartzell - See aircraft TCDS											DC290D1/T9 C290D5/T24		
M20C "Mark 21, Ranger"	L	O-360-A1F6 (LY)		B2D34C212/78CDA-4	74.0	73.0	30			11.4		27.5				SA386GL Zeller	33
M20C "Mark 21, Ranger"	L	O-360-A1F6 (LY)		B2D34C212/78CDA-4E	74.0	73.0	30			11.4		27.5				SA386GL Zeller	33
M20C "Mark 21, Ranger"	L	O-360-A1F6D (LY)		B2D34C214/90DHB-16	74.0	73.0	30			11.3		33.0				SA386GL Zeller	34
M20C "Mark 21, Ranger"	L	O-360-A1F6D (LY)		B2D34C214/90DHB-16E	74.0	73.0	30			11.3		33.0				SA386GL Zeller	34
M20D "Master"	L	O-360-A1D (LY)	OBSOLETE	2D34C53/74E-0	74.0	72.5	30			12.7		27.5	D-2809	S			1
M20D "Master"	L	O-360-A1D (LY)	OBSOLETE	B2D34C53/74E-0	74.0	72.5	30			12.7		27.5	D-2809	S		SA77CE McCaughey	1
M20D "Master"	L	O-360-A1D (LY)	P4155922-01	C3D36C415/82NGA-8	74.0	72.5	30			10.9		33.8	D-6323	S		SA704NE US Prop of Connecticut	92
M20D "Master"	L	O-360-A1D (LY)	P4247151-02	B3D36C424/74SA-0	74.0	72.0	30			8.7		33.8	D-6012-1	P	DC290D1/T9 C290D5/T24	SA315CH McCaughey PL60152	67
M20D "Master"	L	O-360-A1D (LY)	P4247151-02	B3D36C424/74SA-0	74.0	72.0	30			8.7		33.8	D-6504	P	DC290D1/T9 C290D5/T24	SA315CH McCaughey PL60154	66 67
M20D "Master"	L	O-360-A1D (LY)		Hartzell - See aircraft TCDS											DC290D1/T9 C290D5/T24		
M20D "Master"	L	O-360-A2D (LY)	OBSOLETE	2D34C53/74E-0	74.0	72.5	30			12.7		27.5	D-2809	S			1
M20D "Master"	L	O-360-A2D (LY)	OBSOLETE	B2D34C53/74E-0	74.0	72.5	30			12.7		27.5	D-2809	S		SA77CE McCaughey	1
M20D "Master"	L	O-360-A2D (LY)		Hartzell - See aircraft TCDS											DC290D1/T9 C290D5/T24		
M20D "Master"	L	O-360-A1F6 (LY)		B2D34C212/78CDA-4	74.0	73.0	30			11.4		27.5				SA386GL Zeller	33
M20D "Master"	L	O-360-A1F6 (LY)		B2D34C212/78CDA-4E	74.0	73.0	30			11.4		27.5				SA386GL Zeller	33
M20D "Master"	L	O-360-A1F6D (LY)		B2D34C214/90DHB-16	74.0	73.0	30			11.3		33.0				SA386GL Zeller	34
M20D "Master"	L	O-360-A1F6D (LY)		B2D34C214/90DHB-16E	74.0	73.0	30			11.3		33.0				SA386GL Zeller	34
M20E "Super 21, Chappara"	L	IO-360-A1A (LY)	P4155922-01	C3D36C415/82NGA-8	74.0	72.5	30			10.9		33.8	D-6323	S		SA704NE US Prop of Connecticut	92
M20E "Super 21, Chappara"	L	IO-360-A1A (LY)	P4247151-01	B3D36C424/74SA-0	74.0	72.0	30			9.7		33.8	D-6012-1	P	DC290D1/T9 C290D5/T24	SA315CH McCaughey PL60149	67
M20E "Super 21, Chappara"	L	IO-360-A1A (LY)	P4247151-01	B3D36C424/74SA-0	74.0	72.0	30			9.7		33.8	D-6504	P	DC290D1/T9 C290D5/T24	SA315CH McCaughey PL60153	66 67

Constant Speed Propeller Applications

Aircraft		Engine		Part Number	Model	Diameter		Ref	Blade Angles			Spinner		Governors	STC Number STC Holder STC Kit P/N	Notes	
Model	T Y P E	Model (Make)	Model			Max	Min		Sta	Rev	Low or Flight Idle	Latch or Start Locks	High or Feather				Assembly P/N
M20E "Super 21, Chapparat"	L	IO-360-A1A (LY)			Hartzell - See aircraft TCDS									DC290D1/T9 C290D5/T24			
M20E "Super 21, Chapparat"	L	IO-360-A3B6 (LY)	P2144392-62		B2D34C214/90DHB-16E	74.0									SA2711NM Lake Aero Styling & Repair		
M20F "Executive"	L	IO-360-A1A (LY)	P4155922-01		C3D36C415/82NGA-8	74.0	72.5	30		10.9		33.8	D-6323	S		SA704NE US Prop of Connecticut	92
M20F "Executive"	L	IO-360-A1A (LY)	P4247151-01		B3D36C424/74SA-0	74.0	72.0	30		9.7		33.8	D-6012-1	P	DC290D1/T9 C290D5/T24	SA315CH McCaughey PL60149	67
M20F "Executive"	L	IO-360-A1A (LY)	P4247151-01		B3D36C424/74SA-0	74.0	72.0	30		9.7		33.8	D-6504	P	DC290D1/T9 C290D5/T24	SA315CH McCaughey PL60153	66 67
M20F "Executive"	L	IO-360-A1A (LY)			Hartzell - See aircraft TCDS										DC290D1/T9 C290D5/T24		
M20F "Executive"	L	IO-360-A3B6 (LY)	P2144392-62		B2D34C214/90DHB-16E	74.0										SA2711NM Lake Aero Styling & Repair	
M20G "Statesman"	L	O-360-A1D (LY)	OBSOLETE		2D34C53/74E-0	74.0	72.5	30		12.7		27.5	D-2809	S			1
M20G "Statesman"	L	O-360-A1D (LY)	P4155922-01		C3D36C415/82NGA-8	74.0	72.5	30		10.9		33.8	D-6323	S		SA704NE US Prop of Connecticut	92
M20G "Statesman"	L	O-360-A1D (LY)	P4247151-02		B3D36C424/74SA-0	74.0	72.0	30		8.7		33.8	D-6012-1	P	DC290D1/T9 C290D5/T24	SA315CH McCaughey PL60152	67
M20G "Statesman"	L	O-360-A1D (LY)	P4247151-02		B3D36C424/74SA-0	74.0	72.0	30		8.7		33.8	D-6504	P	DC290D1/T9 C290D5/T24	SA315CH McCaughey PL60154	66 67
M20G "Statesman"	L	O-360-A1D (LY)			Hartzell - See aircraft TCDS										DC290D1/T9 C290D5/T24		
M20G "Statesman"	L	O-360-A1F6 (LY)			B2D34C212/78CDA-4	74.0	73.0	30		11.4		27.5				SA386GL Zeller	33
M20G "Statesman"	L	O-360-A1F6 (LY)			B2D34C212/78CDA-4E	74.0	73.0	30		11.4		27.5				SA386GL Zeller	33
M20G "Statesman"	L	O-360-A1F6D (LY)			B2D34C214/90DHB-16	74.0	73.0	30		11.3		33.0				SA386GL Zeller	34
M20G "Statesman"	L	O-360-A1F6D (LY)			B2D34C214/90DHB-16E	74.0	73.0	30		11.3		33.0				SA386GL Zeller	34
M20J (S/N 24-0002 - 24-0083, and S/N 24-0085 - 24-0170) "201"	L	IO-360-A1B6D (LY)			B2D34C212/78CDA-4	74.0	73.0	30		14.0		27.5			DC290D1/T5 C290D5/T17		33
M20J (S/N 24-0002 - 24-0083, and S/N 24-0085 - 24-0170) "201"	L	IO-360-A3B6 (LY)			B2D34C212/78CDA-4	74.0	73.0	30		14.0		27.5			DC290D1/T5 C290D5/T17		33

Constant Speed Propeller Applications

Aircraft		Engine		Part Number	Model	Diameter		Ref		Blade Angles			Spinner		Governors	STC Number STC Holder STC Kit P/N	Notes
Model	TYPE	Model (Make)	Model (Make)			Max	Min	Sta	Rev	Low or Flight Idle	Latch or Start Locks	High or Feather	Assembly P/N	Type			
M20J (S/N 24-0002 - 24-0083, and S/N 24-0085 - 24-0170) "201"	L	IO-360-A3B6D (LY)			B2D34C212/78CDA-4	74.0	73.0	30		14.0		27.5			DC290D1/T5 C290D5/T17		33
M20J (S/N 24-0002 - 24-0377) see note 56 "201"	L	IO-360-A1B6D (LY)	P2144392-62		B2D34C214/90DHB-16E	74.0	73.0	30		13.9		33.0			DC290D1/T5 C290D5/T17		34 35 56
M20J (S/N 24-0002 - 24-0377) see note 56 "201"	L	IO-360-A3B6 (LY)	P2144392-62		B2D34C214/90DHB-16E	74.0	73.0	30		13.9		33.0			DC290D1/T5 C290D5/T17		34 35 56
M20J (S/N 24-0002 - 24-0377) see note 56 "201"	L	IO-360-A3B6D (LY)	P2144392-62		B2D34C214/90DHB-16E	74.0	73.0	30		13.9		33.0			DC290D1/T5 C290D5/T17		34 35 56
M20J (S/N 24-0171 - 24-0377) (S/N 24-0002 - 24-0083, and S/N 24-0085 - 24-0170 see note 36) "201"	L	IO-360-A1B6D (LY)	P2124392-31		B2D34C212/78CDA-4	74.0	73.0	30		14.0		29.5			DC290D1/T5 C290D5/T17		33 36
M20J (S/N 24-0171 - 24-0377) (S/N 24-0002 - 24-0083, and S/N 24-0085 - 24-0170 see note 36) "201"	L	IO-360-A3B6 (LY)	P2124392-31		B2D34C212/78CDA-4	74.0	73.0	30		14.0		29.5			DC290D1/T5 C290D5/T17		33 36
M20J (S/N 24-0171 - 24-0377) (S/N 24-0002 - 24-0083, and S/N 24-0085 - 24-0170 see note 36) "201"	L	IO-360-A3B6D (LY)	P2124392-31		B2D34C212/78CDA-4	74.0	73.0	30		14.0		29.5			DC290D1/T5 C290D5/T17		33 36
M20J (S/N 24-0378 and up) "201"	L	IO-360-A1B6D (LY)	P2144392-62		B2D34C214/90DHB-16E	74.0	73.0	30		13.9		33.0			DC290D1/T5 C290D5/T17		34 35
M20J (S/N 24-0378 and up) "201"	L	IO-360-A3B6 (LY)	P2144392-62		B2D34C214/90DHB-16E	74.0	73.0	30		13.9		33.0			DC290D1/T5 C290D5/T17		34 35
M20J (S/N 24-0378 and up) "201"	L	IO-360-A3B6D (LY)	P2144392-62		B2D34C214/90DHB-16E	74.0	73.0	30		13.9		33.0			DC290D1/T5 C290D5/T17		34 35
M20J "201"	L	IO-360-A1B6 (LY)	P4247151-01		B3D36C424/74SA-0	74.0	72.0	30		9.7		33.8	D-6504	P	DC290D1/T5 C290D5/T17	SA195CH McCaughey PL60136	67
M20J "201"	L	IO-360-A1B6D (LY)	P4247151-01		B3D36C424/74SA-0	74.0	72.0	30		9.7		33.8	D-6504	P	DC290D1/T5 C290D5/T17	SA195CH McCaughey PL60136	67
M20J "201"	L	IO-360-A3B6 (LY)	P4247151-01		B3D36C424/74SA-0	74.0	72.0	30		9.7		33.8	D-6504	P	DC290D1/T5 C290D5/T17	SA195CH McCaughey PL60136	67

Constant Speed Propeller Applications

Aircraft		Engine		Model	Diameter		Ref		Blade Angles			Spinner		Governors	STC Number STC Holder STC Kit P/N	Notes
Model	TYPE	Model (Make)	Part Number		Max	Min	Sta	Rev	Low or Flight Idle	Latch or Start Locks	High or Feather	Assembly P/N	Type			
M20J "201"	L	IO-360-A3B6D (LY)	P4247151-01	B3D36C424/74SA-0	74.0	72.0	30		9.7		33.8	D-6504	P	DC290D1/T5 C290D5/T17	SA195CH McCauley PL60136	67
M20K (S/N 25-0001 - 25-0780) "231"	L	TSIO-360-GB1 (TCM)	P2164532-10	2A34C216/90DHB-16E	74.0	74.0	30		14.7		33.0			C290D3/T20		
M20K (S/N 25-0001 - 25-0780) "231"	L	TSIO-360-GB1 (TCM)	P2214532-12	2A34C221/90DHC-16E	74.0	74.0	30		14.7		38.0			C290D3/T20		37
M20K (S/N 25-0001 - 25-0780) "231"	L	TSIO-360-GB1 (TCM)	P2214532-13	2A34C221/90DHC-16EP	74.0	74.0	30		14.7		38.0			C290D3/T20		37
M20K (S/N 25-0001 - 25-0780) "231"	L	TSIO-360-GB1 (TCM)		Hartzell - See aircraft TCDS										C290D3/T20		
M20K (S/N 25-0001 - 25-0780) "231"	L	TSIO-360-GB1 (TCM)	P4307072-01 P4307072-0157 P4307072-0158	D3A36C430/74SA-0	74.0	73.5	30		9.7		33.8	D-7365-1 D-7365-2	EP ES	C290D3/T20	SA00688CH McCauley PL60199 PL60210 PL60211	
M20K (S/N 25-0001 - 25-0780) "231"	L	TSIO-360-GB3 (TCM)	P2164532-10	2A34C216/90DHB-16E	74.0	74.0	30		14.7		33.0			C290D3/T20		
M20K (S/N 25-0001 - 25-0780) "231"	L	TSIO-360-GB3 (TCM)	P2214532-12	2A34C221/90DHC-16E	74.0	74.0	30		14.7		38.0			C290D3/T20		37
M20K (S/N 25-0001 - 25-0780) "231"	L	TSIO-360-GB3 (TCM)		2A34C221/90DHC-16EP	74.0	74.0	30		14.7		38.0			C290D3/T20		37
M20K (S/N 25-0001 - 25-0780) "231"	L	TSIO-360-GB3 (TCM)		Hartzell - See aircraft TCDS										C290D3/T20		
M20K (S/N 25-0001 - 25-0780) "231"	L	TSIO-360-GB3 (TCM)	P4307072-01 P4307072-0157 P4307072-0158	D3A36C430/74SA-0	74.0	73.5	30		9.7		33.8	D-7365-1 D-7365-2	EP ES	C290D3/T20	SA00688CH McCauley PL60199 PL60210 PL60211	
M20K (S/N 25-0001 - 25-0780) "231"	L	TSIO-360-GB4 (TCM)	P2164532-10	2A34C216/90DHB-16E	74.0	74.0	30		14.7		33.0			C290D3/T20		
M20K (S/N 25-0001 - 25-0780) "231"	L	TSIO-360-GB4 (TCM)	P2214532-12	2A34C221/90DHC-16E	74.0	74.0	30		14.7		38.0			C290D3/T20		37
M20K (S/N 25-0001 - 25-0780) "231"	L	TSIO-360-GB4 (TCM)	P2214532-13	2A34C221/90DHC-16EP	74.0	74.0	30		14.7		38.0			C290D3/T20		37
M20K (S/N 25-0001 - 25-0780) "231"	L	TSIO-360-GB4 (TCM)		Hartzell - See aircraft TCDS										C290D3/T20		

Constant Speed Propeller Applications

Aircraft		Engine		Part Number	Model	Diameter		Ref		Blade Angles			Spinner		Governors	STC Number STC Holder STC Kit P/N	Notes
Model	TYPE	Model (Make)	Model			Max	Min	Sta	Rev	Low or Flight Idle	Latch or Start Locks	High or Feather	Assembly P/N	Type			
M20K (S/N 25-0001 - 25-0780) "231"	L	TSIO-360-GB4 (TCM)	P4307072-01 P4307072-0157 P4307072-0158	D3A36C430/74SA-0	74.0	73.5	30		9.7		33.8	D-7365-1 D-7365-2	EP ES	C290D3/T20	SA00688CH McCauley PL60199 PL60210 PL60211		
M20K (S/N 25-0001 - 25-0889) "231"	L	TSIO-360-LB1 (TCM)	P2164532-10	2A34C216/90DHB-16E	74.0	74.0	30		14.7		33.0			C290D3/T20			
M20K (S/N 25-0001 - 25-0889) "231"	L	TSIO-360-LB1 (TCM)	P2214532-12	2A34C221/90DHC-16E	74.0	74.0	30		14.7		38.0			C290D3/T20		37	
M20K (S/N 25-0001 - 25-0889) "231"	L	TSIO-360-LB1 (TCM)		2A34C221/90DHC-16EP	74.0	74.0	30		14.7		38.0			C290D3/T20		37	
M20K (S/N 25-0001 - 25-0889) "231"	L	TSIO-360-LB1 (TCM)		Hartzell - See aircraft TCDS										C290D3/T20			
M20K (S/N 25-0001 - 25-0889) "231"	L	TSIO-360-LB1 (TCM)	P4307072-01 P4307072-0157 P4307072-0158	D3A36C430/74SA-0	74.0	73.5	30		9.7		33.8	D-7365-1 D-7365-2	EP ES	C290D3/T20	SA00688CH McCauley PL60199 PL60210 PL60211		
M20K (S/N 25-0001 - 25-0889) "231"	L	TSIO-360-MB3 (TCM)	P2214532-12	2A34C221/90DHC-16E	74.0	74.0	30		14.7		38.0				SA3106SO Mod Works		
M20K (S/N 25-0001 - 25-0889) "231"	L	TSIO-360-MB3 (TCM)		2A34C221/90DHC-16EP	74.0	74.0	30		14.7		38.0				SA3106SO Mod Works		
M20K (S/N 25-0001 - 25-0999)	L	TSIO-360-MB (TCM)		2A34C221/90DHC-16E	74.0		30								SA2445CE Meier's Modifications	107	
M20K (S/N 25-1000 - 25-1999) "252"	L	TSIO-360-MB1 (TCM)	P2214532-12	2A34C221/90DHC-16E	74.0	74.0	30		14.7		38.0			C290D3/T20			
M20K (S/N 25-1000 - 25-1999) "252"	L	TSIO-360-MB1 (TCM)		2A34C221/90DHC-16EP	74.0	74.0	30		14.7		38.0			C290D3/T20			
M20K (S/N 25-1000 - 25-1999) "252"	L	TSIO-360-MB1 (TCM)		Hartzell - See aircraft TCDS										C290D3/T20			
M20K (S/N 25-1000 - 25-1999) "252"	L	TSIO-360-MB1 (TCM)	P4307072-01 P4307072-0157 P4307072-0158	D3A36C430/74SA-0	74.0	73.5	30		9.7		33.8	D-7365-1 D-7365-2	EP ES	C290D3/T20	SA00688CH McCauley PL60199 PL60210 PL60211		
M20K (S/N 25-2000 and up) "Encore"	L	TSIO-360-MB2 (TCM)	P2214532-12	2A34C221/90DHC-16E	74.0	74.0	30		14.7		38.0			C290D3/T20			
M20K (S/N 25-2000 and up) "Encore"	L	TSIO-360-MB2 (TCM)	P2214532-13	2A34C221/90DHC-16EP	74.0	74.0	30		14.7		38.0			C290D3/T20			

Constant Speed Propeller Applications

Aircraft		Engine		Part Number	Model	Diameter		Ref		Blade Angles			Spinner		Governors	STC Number STC Holder STC Kit P/N	Notes
Model	TYPE	Model (Make)	Model (Make)			Max	Min	Sta	Rev	Low or Flight Idle	Latch or Start Locks	High or Feather	Assembly P/N	Type			
M20K (S/N 25-2000 and up) "Encore"	L	TSIO-360-MB2 (TCM)	P4307072-01 P4307072-0157 P4307072-0158	D3A36C430/74SA-0	74.0	73.5	30		9.7		33.8	D-7365-1 D-7365-2	EP ES	C290D3/T20	SA00688CH McCauley PL60199 PL60210 PL60211		
M20K (S/N 25-2000 and up) "Encore"	L	TSIO-360-SB2 (TCM)	P2214532-12	2A34C221/90DHC-16E	74.0	74.0	30		14.7		38.0			C290D3/T46		38	
M20K (S/N 25-2000 and up) "Encore"	L	TSIO-360-SB2 (TCM)		2A34C221/90DHC-16EP	74.0	74.0	30		14.7		38.0			C290D3/T46		38	
M20K "Rocket"		TSIO-520-NB (TCM)	P5055186-06	3AF32C505/82NEA-6	76.0	74.0	30		14.9	18.2	81.2				SA5691NM STC/Mooney		
M20M "TLS, Bravo"	L	TIO-540-AFIA (LY)	P4176251-01	B3D32C417/82NRD-7	75.0	75.0	30		15.1		43.0	D-6204 D-6204-1	S P	DC290D1/T11 C290D3/T27			
M20R "Ovation"	L	IO-550-G (TCM)	P4184809-01	3A32C418/82NRC-9	73.0	72.5	30		16.1		40.0	D-7192 D-7192-1	S P	C290D8/T1 C290D3/T45			
M20R "Ovation"	L	IO-550-G (TCM)	P2417580-01	2A34C241/82PGC-6	76.0	75.5	30		20.0		37.5	D-7579-1 D-7579-2	P S	C290D8/T1 C290D3/T45			
M20R "Ovation"	L	IO-550-G (TCM)		Hartzell - See aircraft TCDS										C290D8/T1 C290D3/T45			
M20S "Eagle 2"	L	IO-550-G (TCM)	P2397580-01	2A34C239/90DMC-15	75.0	74.5	30		19.7		37.5	D-7579-1 D-7579-2	P S	C290D8/T2 C290D3/T48			
M20S "Eagle 2"	L	IO-550-G (TCM)	P4184809-01	3A32C418/82NRC-9	73.0	72.5	30		16.1		40.0	D-7192 D-7192-1	S P	C290D8/T2 C290D3/T48	SA00956WI Aerospace Systems & Technologies		
M20TN	L	TSIO-550-G (TCM)		Hartzell - See aircraft TCDS										C290D8/T1			
NAVION (Sierra Hotel Aero, Inc.)																	
NAVION	L	IO-470-H (TCM)	OBSOLETE	D2A34C49/90A-4	86.0	84.25	36		9.5		27.5	D-2845-1 D-2771-1	S S			1 30	
NAVION	L	IO-470-H (TCM)	OBSOLETE	D2A36C33/90M-4	86.0	84.25	36		9.5		27.5	D-2845-1 D-2771-1	S S			1 30	
NAVION	L	IO-470-H (TCM)	OBSOLETE	B2A36C31/90M-4	86.0	84.25	36		9.5		27.5	D-2845 D-2771	S S			1 30	
NAVION	L	IO-470-H (TCM)	P4357483-01	D3A36C435/80VEA-0	80.0	78.0	30		10.8		33.9	D-7510-1	P		SA01035CH McCauley PL60247		
NAVION A	L	IO-470-H (TCM)	OBSOLETE	D2A34C49/90A-4	86.0	84.25	36		9.5		27.5	D-2845-1 D-2771-1	S S			1 30	
NAVION A	L	IO-470-H (TCM)	OBSOLETE	D2A36C33/90M-4	86.0	84.25	36		9.5		27.5	D-2845-1 D-2771-1	S S			1 30	
NAVION A	L	IO-470-H (TCM)	OBSOLETE	B2A36C31/90M-4	86.0	84.25	36		9.5		27.5	D-2845 D-2771	S S			1 30	
NAVION A	L	IO-470-H (TCM)	P4357483-01	D3A36C435/80VEA-0	80.0	78.0	30		10.8		33.9	D-7510-1	P		SA01035CH McCauley PL60247		
NAVION A	L	O-470-P (TCM)	OBSOLETE	2A36C18/90M-4	86.0	84.25	36		11.0		27.0	D-2845-2	S			1	
NAVION A	L	O-470-P (TCM)	P4357483-01	D3A36C435/80VEA-0	80.0	78.0	30		10.8		33.9	D-7510-1	P		SA01035CH McCauley PL60247		
NAVION A	L	IO-520-B (TCM)	OBSOLETE	D3A32C90/82NC-2	80.0	78.4	30		13.2		30.0	D-3669	S			1	

Constant Speed Propeller Applications

Aircraft		Engine			Diameter		Ref	Blade Angles				Spinner		Governors	STC Number STC Holder STC Kit P/N	Notes
Model	TYPE	Model (Make)	Part Number	Model	Max	Min	Sta	Rev	Low or Flight Idle	Latch or Start Locks	High or Feather	Assembly P/N	Type			
NAVION A	L	IO-550-B (TCM)	P4097757-52	D3A32C409/82NDB-2	80.0	78.5	30		13.7		28.8	D-5541	P		SA7088NM Russell Druett	29
NAVION B	L	IO-470-H (TCM)	OBSOLETE	D2A34C49/90A-4	86.0	84.25	36		9.5		27.5	D-2845-1 D-2771-1	SS			1 30
NAVION B	L	IO-470-H (TCM)	OBSOLETE	D2A36C33/90M-4	86.0	84.25	36		9.5		27.5	D-2845-1 D-2771-1	SS			1 30
NAVION B	L	IO-470-H (TCM)	OBSOLETE	B2A36C31/90M-4	86.0	84.25	36		9.5		27.5	D-2845 D-2771	SS			1 30
NAVION B	L	IO-470-H (TCM)	P4357483-01	D3A36C435/80VEA-0	80.0	78.0	30		10.8		33.9	D-7510-1	P		SA01035CH McCauley PL60247	
NAVION B	L	IO-520-B (TCM)	OBSOLETE	D3A32C90/82NC-2	80.0	78.4	30		13.2		30.0	D-3669	S			1
NAVION B	L	IO-550-B (TCM)	P4097757-52	D3A32C409/82NDB-2	80.0	78.5	30		13.7		28.8	D-5541	P		SA7088NM Russell Druett	29
NAVION D	L	IO-470-P (TCM)	OBSOLETE	2A36C18/90M-4	86.0	84.25	36		11.0		27.0	D-2845-2	S			1
NAVION D	L	IO-470-P (TCM)	P4357483-01	D3A36C435/80VEA-0	80.0	78.0	30		10.8		33.9	D-7510-1	P		SA01035CH McCauley PL60247	
NAVION D	L	IO-520-B (TCM)	OBSOLETE	D3A32C90/82NC-2	80.0	78.4	30		13.2		30.0	D-3669	S			1
NAVION D	L	IO-550-B (TCM)	P4097757-52	D3A32C409/82NDB-2	80.0	78.5	30		13.7		28.8	D-5541	P		SA7088NM Russell Druett	29
NAVION E	L	IO-470-C (TCM)	OBSOLETE	C2A36C32/90M-4	86.0	84.25	36		11.0		27.0	D-2845	S			1
NAVION E	L	IO-470-C (TCM)	P4357483-01	D3A36C435/80VEA-0	80.0	78.0	30		10.8		33.9	D-7510-1	P		SA01035CH McCauley PL60247	
NAVION E	L	IO-520-B (TCM)	OBSOLETE	D3A32C90/82NC-2	80.0	78.4	30		13.2		30.0	D-3669	S			1
NAVION E	L	IO-550-B (TCM)	P4097757-52	D3A32C409/82NDB-2	80.0	78.5	30		13.7		28.8	D-5541	P		SA7088NM Russell Druett	29
NAVION F	L	IO-470-H (TCM)	OBSOLETE	D2A34C49/90A-4	86.0	84.25	36		9.5		27.5	D-2845-1 D-2771-1	SS			1 30
NAVION F	L	IO-470-H (TCM)	OBSOLETE	D2A36C33/90M-4	86.0	84.25	36		9.5		27.5	D-2845-1 D-2771-1	SS			1 30
NAVION F	L	IO-470-H (TCM)	OBSOLETE	B2A36C31/90M-4	86.0	84.25	36		9.5		27.5	D-2845 D-2771	SS			1 30
NAVION F	L	IO-470-H (TCM)	P4357483-01	D3A36C435/80VEA-0	80.0	78.0	30		10.8		33.9	D-7510-1	P		SA01035CH McCauley PL60247	
NAVION F	L	IO-520-B (TCM)	OBSOLETE	D3A32C90/82NC-2	80.0	78.4	30		13.2		30.0	D-3669	S			1
NAVION F	L	IO-550-B (TCM)	P4097757-52	D3A32C409/82NDB-2	80.0	78.5	30		13.7		28.8	D-5541	P		SA7088NM Russell Druett	29
NAVION G	L	IO-470-H (TCM)	OBSOLETE	D2A34C49/90A-4	86.0	84.25	36		9.5		27.5	D-2845-1 D-2771-1	SS			1 30
NAVION G	L	IO-470-H (TCM)	OBSOLETE	D2A36C33/90M-4	86.0	84.25	36		9.5		27.5	D-2845-1 D-2771-1	SS			1 30
NAVION G	L	IO-470-H (TCM)	OBSOLETE	B2A36C31/90M-4	86.0	84.25	36		9.5		27.5	D-2845 D-2771	SS			1 30
NAVION G	L	IO-470-H (TCM)	P4357483-01	D3A36C435/80VEA-0	80.0	78.0	30		10.8		33.9	D-7510-1	P		SA01035CH McCauley PL60247	
NAVION G	L	IO-520-B (TCM)	OBSOLETE	D3A32C90/82NC-2	80.0	78.4	30		13.2		30.0	D-3669	S			1
NAVION G	L	IO-550-B (TCM)	P4097757-52	D3A32C409/82NDB-2	80.0	78.5	30		13.7		28.8	D-5541	P		SA7088NM Russell Druett	29

Constant Speed Propeller Applications

Aircraft		Engine		Part Number	Model	Diameter		Ref		Blade Angles			Spinner		Governors	STC Number STC Holder STC Kit P/N	Notes
Model	TYPE	Model (Make)	Model			Max	Min	Sta	Rev	Low or Flight Idle	Latch or Start Locks	High or Feather	Assembly P/N	Type			
NAVION H	L	IO-520-B (TCM)	OBSOLETE	D3A32C90/82NC-2	80.0	78.4	30		13.2		30.0	D-3669	S			1	
NAVION H	L	IO-520-B (TCM)	OBSOLETE	D2A34C58/90AT-4	86.0	84.25	36		10.0		25.4	D-2845-1 D-2771-1	SS			1 30	
NAVION H	L	IO-520-BA (TCM)	OBSOLETE	D3A32C90/82NC-2	80.0	78.4	30		13.2		30.0	D-3669	S			1	
NAVION H	L	IO-550-B (TCM)	P4097757-52	D3A32C409/82NDB-2	80.0	78.5	30		13.7		28.8	D-5541	P		SA7088NM Russell Druett	29	
NEIVA																	
IMPANEMA	L	IO-550-E (TCM)	P2286737-51	B2A37C228/90RDA-4	86.0	84.0	30		11.5		29.5	D-3396	S	C290D3/T40			
NU-VENTURE (formerly Questair)																	
QUESTAIR	L	IO-550-G (TCM)	P2256247-01	B2A34C225/90DJA-22	68.0	66.0	30		17.5		48.0	D-5915	P	C290D3/T34			
QUESTAIR	L	IO-550-G (TCM)	P2407596-01	2A34C240/90DJA-22	68.0	66.0	30		17.5		48.0	D-5915	P	C290D3/T34			
PAKISTAN AIRCRAFT MANUFACTURING FACTORY																	
MFI-17C	L	TSIO-360-MB (TCM)	P2273909-51	2A34C227/90DHB-16E	74.0	73.0	30		14.8		33.0						
MFI-17D	L	IO-540-V4A5 (LY)	P4125642-03	B3D32C412/82NDA-8	74.0	74.0	30		13.6		33.9	D-7458-1 D-7458-2	PS	DC290D1/T19			
PAPA51 CO. LTD.																	
Thunder Mustang	L	Falconer V-12		MT Propeller											DCF310D11/T1		
PIPER AIRCRAFT, Inc.																	
PA-24 "Comanche 180"	L	O-360-A1A (LY)	OBSOLETE	2D36C14/78KM-4	74.0	72.0	30		12.7		27.5						1 42
PA-24 "Comanche 180"	L	O-360-A1A (LY)	P4155922-01	C3D36C415/82NGA-8	74.0	72.5	30		10.9		33.8	D-6323	S		SA768NE US Prop of Connecticut	92	
PA-24 "Comanche 180"	L	O-360-A1A (LY)	P4247151-02	B3D36C424/74SA-0	74.0	72.0	30		8.7		33.8	D-6012 D-6012-1	SP		SA360CH McCauley PL60156	67	
PA-24 "Comanche 180"	L	O-360-A1D (LY)	OBSOLETE	2D36C14/78KM-4	74.0	72.0	30		12.7		27.5						1 42
PA-24 "Comanche 180"	L	O-360-A1D (LY)	P4155922-01	C3D36C415/82NGA-8	74.0	72.5	30		10.9		33.8	D-6323	S		SA768NE US Prop of Connecticut	92	
PA-24 "Comanche 180"	L	O-360-A1D (LY)	P4247151-02	B3D36C424/74SA-0	74.0	72.0	30		8.7		33.8	D-6012 D-6012-1	SP		SA360CH McCauley PL60156	67	
PA-24-250 "Comanche 250"	L	O-540-A1A (LY)	OBSOLETE	2D36C28/80MM-6	74.0	73.0	30		15.7		32.0						1 41
PA-24-250 "Comanche 250"	L	O-540-A1A5 (LY)	OBSOLETE	2D36C28/80MM-6	74.0	73.0	30		15.7		32.0						1 41
PA-24-250 "Comanche 250"	L	O-540-A1A5 (LY)	P4125642-04	B3D32C412/82NDA-5	77.0	75.0	30		13.0		33.5	D-7085	P	DC290D1/T34	SA00773CH McCauley PL60233	68 99	
PA-24-250 "Comanche 250"	L	O-540-A1A5 (LY)	P4125642-04	B3D32C412/82NDA-5	77.0	75.0	30		13.0		33.5	D-7085	P	DC290D1/T40	SA00773CH McCauley PL60331	69 99	
PA-24-250 "Comanche 250"	L	O-540-A1B5 (LY)	OBSOLETE	2D36C28/80MM-6	74.0	73.0	30		15.7		32.0						1 41
PA-24-250 "Comanche 250"	L	O-540-A1B5 (LY)	P4125642-04	B3D32C412/82NDA-5	77.0	75.0	30		13.0		33.5	D-7085	P	DC290D1/T34	SA00773CH McCauley PL60233	68 99	
PA-24-250 "Comanche 250"	L	O-540-A1B5 (LY)	P4125642-04	B3D32C412/82NDA-5	77.0	75.0	30		13.0		33.5	D-7085	P	DC290D1/T40	SA00773CH McCauley PL60331	69 99	

Constant Speed Propeller Applications

Aircraft		Engine			Diameter		Ref		Blade Angles				Spinner		Governors	STC Number STC Holder STC Kit P/N	Notes
Model	TYPE	Model (Make)	Part Number	Model	Max	Min	Sta	Rev	Low or Flight Idle	Latch or Start Locks	High or Feather	Assembly P/N	Type				
PA-24-250 "Comanche 250"	L	O-540-A1C5 (LY)	OBSOLETE	2D36C28/80MM-6	74.0	73.0	30		15.7		32.0						141
PA-24-250 "Comanche 250"	L	O-540-A1C5 (LY)	P4125642-04	B3D32C412/82NDA-5	77.0	75.0	30		13.0		33.5	D-7085	P	DC290D1/T34	SA00773CH McCaughey PL60233	6899	
PA-24-250 "Comanche 250"	L	O-540-A1C5 (LY)	P4125642-04	B3D32C412/82NDA-5	77.0	75.0	30		13.0		33.5	D-7085	P	DC290D1/T40	SA00773CH McCaughey PL60331	6999	
PA-24-250 "Comanche 250"	L	O-540-A1D5 (LY)	OBSOLETE	2D36C28/80MM-6	74.0	73.0	30		15.7		32.0						141
PA-24-250 "Comanche 250"	L	O-540-A1D5 (LY)	P4125642-04	B3D32C412/82NDA-5	77.0	75.0	30		13.0		33.5	D-7085	P	DC290D1/T34	SA00773CH McCaughey PL60233	6899	
PA-24-250 "Comanche 250"	L	O-540-A1D5 (LY)	P4125642-04	B3D32C412/82NDA-5	77.0	75.0	30		13.0		33.5	D-7085	P	DC290D1/T40	SA00773CH McCaughey PL60331	6999	
PA-24-250 "Comanche 250"	L	IO-540-C1B5 (LY)	OBSOLETE	2D36C28/80MM-6	74.0	73.0	30		15.7		32.0						141
PA-24-250 "Comanche 250"	L	IO-540-C1B5 (LY)	P4125642-04	B3D32C412/82NDA-5	77.0	75.0	30		13.0		33.5	D-7085	P	DC290D1/T34	SA00773CH McCaughey PL60233	6899	
PA-24-250 "Comanche 250"	L	IO-540-C1B5 (LY)	P4125642-04	B3D32C412/82NDA-5	77.0	75.0	30		13.0		33.5	D-7085	P	DC290D1/T40	SA00773CH McCaughey PL60331	6999	
PA-24-260 "Comanche 260"	L	O-540-E4A5 (LY)	P4125642-04	B3D32C412/82NDA-5	77.0	75.0	30		13.0		33.5	D-6012	S		SA864NE US Prop of Connecticut		
PA-24-260 "Comanche 260"	L	IO-540-D4A5 (LY)	P4125642-04	B3D32C412/82NDA-5	77.0	75.0	30		13.0		33.5	D-6012	S		SA864NE US Prop of Connecticut		
PIPER (Latvia Argentina S.A. (LAVIASA))																	
PA-25-260 "Pawnee"	L	O-540-G1A5 (LY)	OBSOLETE	B2D34C16/84HF-0	84.0	82.5	30		11.0		27.0			C290D3/T10 C290D2/T10			1
PIPER AIRCRAFT, Inc.																	
PA-28-201T "Turbo Dakota"	L	TSIO-360-FB (TCM)	P4367071-01	D3A36C436/74SA-0	74.0	73.5	30		8.5		33	D-7526-1 D-7526-2	PS		SA00915CH McCaughey PL60249		
PA-28R-180 "Arrow"	L	IO-360-B1E (LY)	P4155922-01	C3D36C415/82NGA-8	74.0	72.5	30		10.9		33.8	D-6323	S	DC290D1/T18 C290D3/T39	SA645NE US Prop of Connecticut	92	
PA-28R-180 "Arrow"	L	IO-360-B1E (LY)	P4247151-02	B3D36C424/74SA-0	74.0	72.0	30		8.7		33.8	D-6012 D-6012-1	SP	DC290D1/T18 C290D3/T39	SA129CH McCaughey PL60159 SA1623GL McCaughey PL20905	6796	
PA-28R-180 "Arrow"	L	IO-360-B1E (LY)		Hartzell - See aircraft TCDS										DC290D1/T18 C290D3/T39	SA1623GL McCaughey PL20905		
PA-28R-200 "Arrow II"	L	IO-360-C1C (LY)	P4247151-01	B3D36C424/74SA-0	74.0	72.0	30		9.7		33.8	D-6012 D-6012-1	SP		SA129CH McCaughey PL60132	67	

Constant Speed Propeller Applications

Aircraft		Engine		Part Number	Model	Diameter		Ref		Blade Angles			Spinner		Governors	STC Number STC Holder STC Kit P/N	Notes
Model	TYPE	Model (Make)	Model			Max	Min	Sta	Rev	Low or Flight Idle	Latch or Start Locks	High or Feather	Assembly P/N	Type			
PA-28R-200 "Arrow II"	L	IO-360-C1C (LY)	P4155922-01	C3D36C415/82NGA-8	74.0	72.5	30			10.9		33.8	D-5992	S	DC290D1/T18 C290D3/T39	SA645NE US Prop of Connecticut	92
PA-28R-200 (S/N 28R-7635516 and below) "Arrow II"	L	IO-360-C1C (LY)		C3D36C415/82NGA-8	74.0		30									SA3567NM Robert Craner	
PA-28R-200 (S/N 28R-7635517 - 28R-7635545) "Arrow II"	L	IO-360-C1C6 (LY)	P2134392-41	B2D34C213/90DHA-16	74.0	73.0	30			12.5		27.5			DC290D1/T18 C290D3/T39	SA1623GL McCauley PL20905	34 96
PA-28R-200 "Arrow II"	L	IO-360-C1C6 (LY)	P4155922-01	C3D36C415/82NGA-8	74.0	72.5	30			10.9		33.8	D-5992	S	DC290D1/T18 C290D3/T39	SA645NE US Prop of Connecticut	92
PA-28R-200 (S/N 28R-7635516 and below) "Arrow II"	L	IO-360-C1C6 (LY)		C3D36C415/82NGA-8	74.0		30									SA3567NM Robert Craner	
PA-28R-200 "Arrow II"	L	IO-360-C1C6 (LY)	P4247151-01	B3D36C424/74SA-0	74.0	72.0	30			9.7		33.8	D-6012 D-6012-1	SP	DC290D1/T18 C290D3/T39	SA129CH McCauley PL60132 SA1623GL McCauley PL20905	67 96
PA-28R-201 "Arrow III"	L	IO-360-C1C6 (LY)	P2134392-41	B2D34C213/90DHA-16	74.0	73.0	30			12.5		27.5			DC290D1/T18 C290D3/T39	SA1623GL McCauley PL20905	34 96
PA-28R-201 "Arrow III"	L	IO-360-C1C6 (LY)	P4155922-01	C3D36C415/82NGA-8	74.0	72.5	30			10.9		33.8	D-5992	S	DC290D1/T18 C290D3/T39	SA645NE US Prop of Connecticut	92
PA-28R-201 "Arrow III"	L	IO-360-C1C6 (LY)	P4247151-01	B3D36C424/74SA-0	74.0	72.0	30			9.7		33.8	D-6012 D-6012-1	SP	DC290D1/T18 C290D3/T39	SA129CH McCauley PL60132 SA1623GL McCauley PL20905	67 96
PA-28R-201 "Arrow III"	L	IO-360-C1C6 (LY)		Hartzell - See aircraft TCDS											DC290D1/T18 C290D3/T39	SA1623GL McCauley PL20905	
PA-28R-201T "Turbo Arrow III"	L	TSIO-360-F (TCM)	P4367071-01	D3A36C436/74SA-0	74.0	73.5	30			8.5		34	D-7526-1 D-7526-2	PS		SA00915CH McCauley PL60249	
PA-28R-201T "Turbo Arrow III"	L	TSIO-360-FB (TCM)	P4367071-01	D3A36C436/74SA-0	74.0	73.5	30			8.5		34	D-7526-1 D-7526-2	PS		SA00915CH McCauley PL60249	
PA-28RT-201 (S/N 28R-7918001 - 28R-7918267) "Arrow IV"	L	IO-360-C1C6 (LY)	P2134392-41	B2D34C213/90DHA-16	74.0	73.0	30			12.5		27.5			DC290D1/T18 C290D3/T39	SA1623GL McCauley PL20905	34 96
PA-28RT-201 (S/N 28R-8018001 - 28R-8218026) "Arrow IV"	L	IO-360-C1C6 (LY)	P2155092-01	2D34C215/90DJA-14E	76.0	75.0	30			12.5		27.5			DC290D1/T18 C290D3/T39	SA1623GL McCauley PL20905	40 96

Constant Speed Propeller Applications

Aircraft		Engine		Model	Diameter		Ref		Blade Angles			Spinner		Governors	STC Number STC Holder STC Kit P/N	Notes
Model	T Y P E	Model (Make)	Part Number		Max	Min	Sta	Rev	Low or Flight Idle	Latch or Start Locks	High or Feather	Assembly P/N	T y p e			
PA-28RT-201 "Arrow IV"	L	IO-360-C1C6 (LY)	P4155922-01	C3D36C415/82NGA-8	74.0	72.5	30		10.9		33.8	D-5992	S	DC290D1/T18 C290D3/T39	SA645NE US Prop of Connecticut	92
PA-28RT-201 "Arrow IV"	L	IO-360-C1C6 (LY)	P4247151-01	B3D36C424/74SA-0	74.0	72.0	30		9.7		33.8	D-6012 D-6012-1	S P	DC290D1/T18 C290D3/T39	SA129CH McCauley PL60132 SA1623GL McCauley PL20905	67 96
PA-28RT-201 "Arrow IV"	L	IO-360-C1C6 (LY)		Hartzell - See aircraft TCDS										DC290D1/T18 C290D3/T39	SA1623GL McCauley PL20905	
PA-28RT-201T "Turbo Arrow IV"	L	TSIO-360-FB (TCM)	P4367071-01	D3A36C436/74SA-0	74.0	73.5	30		8.5		33	D-7526-1 D-7526-2	P S		SA00915CH McCauley PL60249	
PA-28-236 "Dakota"	L	O-540-J3A5D (LY)	P4317296-03	B3D36C431/80VSA-1	79.0	78.0	30		14.3		31.7	D-7465-1 D-7465-2	P S		SA00720CH McCauley PL60229	
PA-31-310 "Navajo"	L	TIO-540-A1A (LY)	P5267527-03 P5267527-0356	B3DF36C526/80HJA-0	80.0	78.0	30		9.0	16.2	82.2	D-6774-1 D-6774-2	P S		SA00857CH McCauley PL60109 PL60110	
PA-31-310 "Navajo"	L	TIO-540-A1B (LY)	P5267527-03 P5267527-0356	B3DF36C526/80HJA-0	80.0	78.0	30		9.0	16.2	82.2	D-6774-1 D-6774-2	P S		SA00857CH McCauley PL60109 PL60110	
PA-31-310 "Navajo"	L	TIO-540-A2A (LY)	P5267527-03 P5267527-0356	B3DF36C526/80HJA-0	80.0	78.0	30		9.0	16.2	82.2	D-6774-1 D-6774-2	P S		SA00857CH McCauley PL60109 PL60110	
PA-31-310 "Navajo"	L	TIO-540-A2B (LY)	P5267527-03 P5267527-0356	B3DF36C526/80HJA-0	80.0	78.0	30		9.0	16.2	82.2	D-6774-1 D-6774-2	P S		SA00857CH McCauley PL60109 PL60110	
PA-31-310 "Navajo"	L	TIO-540-A2C (LY)	P5267527-03 P5267527-0356	B3DF36C526/80HJA-0	80.0	78.0	30		9.0	16.2	82.2	D-6774-1 D-6774-2	P S		SA00857CH McCauley PL60109 PL60110	
PA-31-325 (left side) "Navajo C/R"	L	TIO-540-F2BD (LY)	P5267527-02 P5267527-0256	B3DF36C526/80HJA-0	80.0	78.0	30		10.5	16.2	82.2	D-6774-1 D-6774-2	P S		SA00857CH McCauley PL60106 PL60107	
PA-31-325 (right side) "Navajo C/R"	L	LTIO-540-F2BD (LY)	P5277528-02 P5277528-0256	B3DF36C527/L80HJA-0	80.0	78.0	30		10.5	16.2	82.2	D-6774-1 D-6774-2	P S		SA00857CH McCauley PL60106 PL60107	
PA-31-350 (left side) "Chieftain"	L	TIO-540-J2B (LY)	P5267527-01 P5267527-0156	B3DF36C526/80HJA-0	80.0	78.0	30		13.0	16.2	82.2	D-6774-1 D-6774-2	P S		SA00857CH McCauley PL60103 PL60104	

Constant Speed Propeller Applications

Aircraft		Engine		Model	Diameter		Ref		Blade Angles			Spinner		Governors	STC Number STC Holder STC Kit P/N	Notes
Model	Type	Model (Make)	Part Number		Max	Min	Sta	Rev	Low or Flight Idle	Latch or Start Locks	High or Feather	Assembly P/N	Type			
PA-31-350 (left side) "Chieftain"	L	TIO-540-J2BD (LY)	P5267527-01 P5267527-0156	B3DF36C526/80HJA-0	80.0	78.0	30		13.0	16.2	82.2	D-6774-1 D-6774-2	P S		SA00857CH McCaughey PL60103 PL60104	
PA-31-350 (right side) "Chieftain"	L	LTIO-540-J2B (LY)	P5277528-01 P5277528-0156	B3DF36C527/L80HJA-0	80.0	78.0	30		13.0	16.2	82.2	D-6774-1 D-6774-2	P S		SA00857CH McCaughey PL60103 PL60104	
PA-31-350 (right side) "Chieftain"	L	LTIO-540-J2BD (LY)	P5277528-01 P5277528-0156	B3DF36C527/L80HJA-0	80.0	78.0	30		13.0	16.2	82.2	D-6774-1 D-6774-2	P S		SA00857CH McCaughey PL60103 PL60104	
PA-31T "Cheyenne II"	L	PT6A-28 (PW)	P7666720-0152	4HFR34C766/94LNA-2	92.0	91.0	30	-10.0	19.1		84.5	E-6756-1 E-6756-2	EP ES		SA1593GL McCaughey PL60077	73
PA-31T1 "Cheyenne I"	L	PT6A-11 (PW)	P7666720-0152	4HFR34C766/94LNA-2	92.0	91.0	30	-10.0	19.1		84.5	E-6756-1 E-6756-2	EP ES		SA1593GL McCaughey PL60077	73
PA-32-260 "Cherokee Six 260"	L	O-540-E4B5 (LY)	P4146245-06	B3D32C414/82NDA-2	80.0	79.0	30		11.3		30.0	D-6012 D-6012-1	S P		SA02097CH McCaughey PL60339 PL60346	98
PA-32-300 "Cherokee Six 300"	L	IO-540-K1A5 (LY)	P4337350-01	B3D36C433/80VSA-1	79.0	77.0	30		11.3		33.9	D-6012 D-6012-1	S P		SA433CH McCaughey PL60179	72
PA-32-300 "Cherokee Six 300"	L	IO-540-K1A5 (LY)	P4337350-01	B3D36C433/80VSA-1	79.0	77.0	30		11.3		33.9	D-6614	P		SA433CH McCaughey PL60297	70 72
PA-32-300 "Cherokee Six 300"	L	IO-540-K1A5 (LY)	P4277282-01	B3D36C427/82NGA-2	80.0	79.0	30		13.0		33.5	D-6012 D-6012-1	S P		SA433CH McCaughey PL60158	71
PA-32-300 "Cherokee Six 300"	L	IO-540-K1G5 (LY)	P4337350-01	B3D36C433/80VSA-1	79.0	77.0	30		11.3		33.9	D-6012 D-6012-1	S P		SA433CH McCaughey PL60179	72
PA-32-300 "Cherokee Six 300"	L	IO-540-K1G5 (LY)	P4337350-01	B3D36C433/80VSA-1	79.0	77.0	30		11.3		33.9	D-6614	P		SA433CH McCaughey PL60297	70 72
PA-32-300 "Cherokee Six 300"	L	IO-540-K1G5 (LY)	P4277282-01	B3D36C427/82NGA-2	80.0	79.0	30		13.0		33.5	D-6012 D-6012-1	S P		SA433CH McCaughey PL60158	71
PA-32R-300 "Lance"	L	IO-540-K1A5D (LY)	P4337350-01	B3D36C433/80VSA-1	79.0	77.0	30		11.3		33.9	D-6012 D-6012-1	S P		SA433CH McCaughey PL60179	72
PA-32R-300 "Lance"	L	IO-540-K1A5D (LY)	P4337350-01	B3D36C433/80VSA-1	79.0	77.0	30		11.3		33.9	D-6614	P		SA433CH McCaughey PL60297	70 72
PA-32R-300 "Lance"	L	IO-540-K1A5D (LY)	P4277282-01	B3D36C427/82NGA-2	80.0	79.0	30		13.0		33.5	D-6012 D-6012-1	S P		SA433CH McCaughey PL60158	71
PA-32R-300 "Lance"	L	IO-540-K1G5D (LY)	P4337350-01	B3D36C433/80VSA-1	79.0	77.0	30		11.3		33.9	D-6012 D-6012-1	S P		SA433CH McCaughey PL60179	72

Constant Speed Propeller Applications

Aircraft		Engine		Part Number	Model	Diameter		Ref		Blade Angles			Spinner		Governors	STC Number STC Holder STC Kit P/N	Notes
Model	TYPE	Model (Make)	Model			Max	Min	Sta	Rev	Low or Flight Idle	Latch or Start Locks	High or Feather	Assembly P/N	Type			
PA-32R-300 "Lance"	L	IO-540-K1G5D (LY)	P4337350-01	B3D36C433/80VSA-1	79.0	77.0	30			11.3		33.9	D-6614	P		SA433CH McCauley PL60297	70 72
PA-32R-300 "Lance"	L	IO-540-K1G5D (LY)	P4277282-01	B3D36C427/82NGA-2	80.0	79.0	30			13.0		33.5	D-6012 D-6012-1	S P		SA433CH McCauley PL60158	71
PA-32RT-300 "Lance II"	L	IO-540-K1G5D (LY)	P4337350-01	B3D36C433/80VSA-1	79.0	77.0	30			11.3		33.9	D-6012 D-6012-1	S P		SA433CH McCauley PL60179	72
PA-32RT-300 "Lance II"	L	IO-540-K1G5D (LY)	P4337350-01	B3D36C433/80VSA-1	79.0	77.0	30			11.3		33.9	D-6614	P		SA433CH McCauley PL60297	70 72
PA-32RT-300 "Lance II"	L	IO-540-K1G5D (LY)	P4277282-01	B3D36C427/82NGA-2	80.0	79.0	30			13.0		33.5	D-6012 D-6012-1	S P		SA433CH McCauley PL60158	71
PA-32-301 "Saratoga"	L	IO-540-K1G5 (LY)	P4337350-01	B3D36C433/80VSA-1	79.0	77.0	30			11.3		33.9	D-6012 D-6012-1	S P		SA433CH McCauley PL60179	72
PA-32-301 "Saratoga"	L	IO-540-K1G5 (LY)	P4337350-01	B3D36C433/80VSA-1	79.0	77.0	30			11.3		33.9	D-6614	P		SA433CH McCauley PL60297	70 72
PA-32R-301 (HP) "Saratoga HP"	L	IO-540-K1G5 (LY)	P4317296-02	B3D36C431/80VSA-2	78.0	77.0	30			11.5		33.9	D-7290	P		SA00816CH McCauley PL60213	
PA-32R-301 (HP) "Saratoga HP"	L	IO-540-K1G5D (LY)	P4317296-02	B3D36C431/80VSA-2	78.0	77.0	30			11.5		33.9	D-7290	P		SA00816CH McCauley PL60213	
PA-32R-301 (SP) "Saratoga SP"	L	IO-540-K1G5D (LY)	P4337350-01	B3D36C433/80VSA-1	79.0	77.0	30			11.3		33.9	D-6012 D-6012-1	S P		SA433CH McCauley PL60179	72
PA-32R-301 (SP) "Saratoga SP"	L	IO-540-K1G5D (LY)	P4337350-01	B3D36C433/80VSA-1	79.0	77.0	30			11.3		33.9	D-6614	P		SA433CH McCauley PL60297	70 72
PA-34-200T (left side) "Seneca II"	L	TSIO-360-E (TCM)	P5024825-01	3AF34C502/80HA-4	76.0	75.0	30			12.0	15.8	82.2	D-4987 D-4987-1	E,S E,P			39
PA-34-200T (right side) "Seneca II"	L	LTSIO-360-E (TCM)	P5034981-01	3AF34C503/L80HA-4	76.0	75.0	30			12.0	15.8	82.2	D-4987 D-4987-1	E,S E,P			39
PA-34-200T (left side) "Seneca II"	L	TSIO-360-EB (TCM)	P5024825-01	3AF34C502/80HA-4	76.0	75.0	30			12.0	15.8	82.2	D-4987 D-4987-1	E,S E,P			39
PA-34-200T (right side) "Seneca II"	L	LTSIO-360-EB (TCM)	P5034981-01	3AF34C503/L80HA-4	76.0	75.0	30			12.0	15.8	82.2	D-4987 D-4987-1	E,S E,P			39
PA-34-220T (left side) "Seneca III"	L	TSIO-360-KB (TCM)	P5085186-01	3AF34C508/82NFA-6	76.0	75.0	30			11.0	14.8	82.2	D-4987 D-4987-1	E,S E,P			39
PA-34-220T (right side) "Seneca III"	L	LTSIO-360-KB (TCM)	P5095227-01	3AF34C509/L82NFA-6	76.0	75.0	30			11.0	14.8	82.2	D-4987 D-4987-1	E,S E,P			39
PA-34-220T (left side) "Seneca IV"	L	TSIO-360-KB (TCM)	P5085186-01	3AF34C508/82NFA-6	76.0	75.0	30			11.0	14.8	82.2	D-4987 D-4987-1	E,S E,P			
PA-34-220T (right side) "Seneca IV"	L	LTSIO-360-KB (TCM)	P5095227-01	3AF34C509/L82NFA-6	76.0	75.0	30			11.0	14.8	82.2	D-4987 D-4987-1	E,S E,P			
PA-34-220T (left side) "Seneca V"	L	TSIO-360-RB (TCM)	P5227315-01	3AF32C522/82NJA-6	76.0	75.0	30			12.6	15.8	82.1	E-7258	E,S			

Constant Speed Propeller Applications

Aircraft		Engine		Model	Diameter		Ref		Blade Angles			Spinner		Governors	STC Number STC Holder STC Kit P/N	Notes	
Model	T Y P E	Model (Make)	Part Number		Max	Min	Sta	Rev	Low or Flight Idle	Latch or Start Locks	High or Feather	Assembly P/N	T y p e				
PA-34-220T (right side) "Seneca V"	L	LTSIO-360-RB (TCM)	P5237316-01	3AF32C523/L82NJA-6	76.0	75.0	30		12.6	15.8	82.1	E-7258	E,S				
PA-42 "Cheyenne III"	L	PT6A-41 (PW)	P7747397-0120	4HFR34C774/94LPA-0	94.0	93.0	30	-10.0	22.0		84.5	E-6756-1 E-6756-2	EP ES		SA00785CH McCauley PL60204	74	
PA-42-720 "Cheyenne IIIA"	L	PT6A-61 (PW)	P7747397-0120	4HFR34C774/94LPA-0	94.0	93.0	30	-10.0	22.0		84.5	E-6756-1 E-6756-2	EP ES		SA00785CH McCauley PL60330	75	
PROCAER S.P.A.																	
F 15/C	L	IO-470-E (TCM)	OBSOLETE	D2A34C58/90AT-12	78.0	76.0	36		11.0		27.0						1
F 15/C	L	IO-470-E (TCM)	OBSOLETE	D2A34C49/90A-14	76.0	76.0	36		11.0		27.0						1
RAWDON (Spinks Industries)																	
T-1	L	O-360-A1A (LY)	OBSOLETE	2D36C14/78KM-4	74.0	72.5	30		12.7		27.5						1 42
T-2	L	O-360-A1D (LY)	OBSOLETE	2D36C14/78KM-4	74.0	72.5	30		12.7		27.5						1 42
SAAB																	
91D "Safir"	L	O-360-A1A (LY)	OBSOLETE	2D36C14/78KM-4	74.0	72.5	30		12.7		27.5	D-2137	S				1 42
SA2-37A "Schweizer Motorglider" "US MILITARY RG-8A"	L	IO-540-W3A5D (LY)	P4135680-01	B3D34C413/90DFA-4	86.0	86.0	30		11.4		39.4	D-5670		DC290D1/T10			
RG-38A	L	GIO-550-A1B (TCM)												DCFU310D13/T11			
S.O.C.A.T.A. - Groupe AEROSPATIALE																	
MS 894A	L	6A-350-C1 (FR)	OBSOLETE	2A31C21/84S-8	76.0	74.0	30		13.3		22.0						1
MS 894E "Rallye Minerva 220"	L	6A-350-C1 (FR)	OBSOLETE	2A31C21/84S-8	76.0	74.0	30		13.3		22.0						1
TB-10 "Tobago"	L	O-360-A1AD (LY)	P4247151-02	B3D36C424/74SA-0	74.0	72.0	30		8.7		33.8	D-6614	P		SA372CH McCauley PL60138	67	
TB-20 "Trinidad"	L	IO-540-C4D5D (LY)	P4125642-02 P4125642-04	B3D32C412/82NDA-5	77.0	75.0	30		13.0		33.5	D-6614	P		SA941NE US Prop of Connecticut		
TB-200 "Tobago XL"	L	IO-360-A1B6 (LY)	P4247151-01	B3D36C424/74SA-0	74.0	72.0	30		9.7		33.8	D-6614	P		SA372CH McCauley PL60167	67	
STINSON (Univair Aircraft Corporation)																	
108-3	L	6A-335-B1 (FR)	OBSOLETE	2A31C21/84S-8	76.0	74.0	30		10.7		21.5	D-2845	S				1
108-5	L	6A-335-B1 (FR)	OBSOLETE	2A31C21/84S-8	76.0	74.0	30		10.7		21.5	D-2845	S				1
STODDARD-HAMILTON																	
Glassair III	L	IO-540-K1A5 (LY)	P2296808-01	B2D37C229/90RHC-11	79.0	78.0	30		13.8		35.0						
TAYLORCRAFT (Helio Aircraft Corp.)																	
20 "Ranchwagon"	L	O-470-J (TCM)	OBSOLETE	2A36C1-U/90M-8	82.0	80.0	36		10.5		22.5						1
20 "Ranchwagon"	L	O-470-J (TCM)	OBSOLETE	2A36C18/90M-8	82.0	80.0	36		10.5		22.5						1
20 "Ranchwagon"	L	O-470-J (TCM)	OBSOLETE	2A36C29/90M-8	82.0	80.0	36		10.5		22.5						1
THRUSH AIRCRAFT, Inc. (formerly Snow, Rockwell, Ayres)																	
S2R-G5	L	TPE331-5 (HW)	P6536401-03	4HFR34C653/L106FA-0	106.0	105.0	30	-4.0		6.0	87.4	E-6083	P				106
S2R-G5	L	TPE331-5 (HW)	P6626401-01	4HFR34C662/L108FA-0	108.0	105.0	30	-4.0		6.0	87.4	E-6083	P				106
S2R-G10	L	TPE331-10 (HW)	P6536401-03	4HFR34C653/L106FA-0	106.0	105.0	30	-4.0		6.0	87.4	E-6083	P				106

Constant Speed Propeller Applications

Aircraft		Engine		Part Number	Model	Diameter		Ref		Blade Angles			Spinner		Governors	STC Number STC Holder STC Kit P/N	Notes
Model	T Y P E	Model (Make)				Max	Min	Sta	Rev	Low or Flight Idle	Latch or Start Locks	High or Feather	Assembly P/N	T y p e			
S2R-G10	L	TPE331-10 (HW)	P6626401-01	4HFR34C662/L108FA-0	108.0	105.0	30	-4.0		6.0	87.4	E-6083	P			106	
TRANSAVIA																	
PL12 "Air Truck"	L	IO-520-D (TCM)	OBSOLETE	D2A34C58/90AT-2	88.0	86.0	36		8.4		25.0						1
TWIN COMMANDER																	
690	L	TPE331-5 (HW)	P6657627-0152	4HFR34C665/L106FRA-2	104.0	103.0	30	-9.0	12.0	4.0	85.6	E-7154	E,P		SA01289CH McCauley PL60273	78 106	
690	L	TPE331-10 (HW)	P6657627-0152	4HFR34C665/L106FRA-2	104.0	103.0	30	-9.0	12.0	4.0	85.6	E-7154	E,P		SA01289CH McCauley PL60273	78 106	
690A	L	TPE331-5 (HW)	P6657627-0152	4HFR34C665/L106FRA-2	104.0	103.0	30	-9.0	12.0	4.0	85.6	E-7154	E,P		SA01289CH McCauley PL60328	78 106	
690A	L	TPE331-10 (HW)	P6657627-0152	4HFR34C665/L106FRA-2	104.0	103.0	30	-9.0	12.0	4.0	85.6	E-7154	E,P		SA01289CH McCauley PL60328	78 106	
690B	L	TPE331-5 (HW)	P6657627-0152	4HFR34C665/L106FRA-2	104.0	103.0	30	-9.0	12.0	4.0	85.6	E-7154	E,P		SA01289CH McCauley PL60328	78 106	
690B	L	TPE331-10 (HW)	P6657627-0152	4HFR34C665/L106FRA-2	104.0	103.0	30	-9.0	12.0	4.0	85.6	E-7154	E,P		SA01289CH McCauley PL60328	78 106	
WASSMER																	
WA-40 "SUPER IV"	L	O-360-A1A (LY)	OBSOLETE	2D36C14/78KM-4	74.0	72.5	30		12.7		27.5	D-2137	S			1 42	
WA-421	L	O-540-C4B5 (LY)	OBSOLETE	B2D34C11/84HF-4	80.0	80.0	30		12.7		27.5					1	
WEATHERLY AIRCRAFT COMPANY																	
620B-TG	L	TPE331-1 (HW)	P6027317-01	3GFR34C602/100LA-2	98.0	96.0	30	-8.0		2.0	86.8	E-4858	E,P				
WINDECKER (COMPOSITE AIRCRAFT CORPORATION)																	
AC-7 "EAGLE"	L	IO-520-C (TCM)	OBSOLETE	D2A34C58/90AT-6	84.0	82.0	36		9.7		25.8	D-4082	S	DC290D1/T4 C290D3/T16 C290D2/T16		1	
Aircraft Type: A - Amphibian F - Floatplane L - Landplane S - Skiplane		Engine Type FR - Franklin HW - Honeywell LY - Textron Lycoming OE - Trace Engines (Orenda) PW - Pratt and Whitney Rotax - Rotax STC - STC modified engine TCM - Teledyne Continental Motors/ Rolls Royce												Spinner Type A - Alcohol Anti-Ice B - Black Painted Shell E - Electric De-ice P - Polished Shell S - Satin Finish Shell			

Constant Speed Propeller Notes

NOTE	DESCRIPTION
1	This propeller is no longer procurable from McCauley.
2	Nose cowling modification required. See aircraft TCDS
3	Pre mod JM41300
4	Post mod JM41300
5	Avoid continuous operation between 2800 - 3135 rpm.
6	Avoid continuous operation between 1800 - 2050 rpm at 18" MAP and above
7	Avoid continuous operation between 1850 - 2550 rpm above 24" MAP.
8	Must be installed per Cessna Service Letter SE79-62
9	Avoid continuous operation between 1700 - 1900 rpm below 10" MAP
10	Avoid continuous operation between 1400 - 1750 rpm below 10" MAP
11	Avoid continuous operation between 1850 - 2150 rpm above 24" MAP.
12	Avoid continuous operation between 1850 - 2150 rpm above 23" MAP.
13	For aircraft modified by Cessna Kit SK414-10B
14	The 3AF34C74 and 3AF37C510 propellers may be interchanged in any combination.
15	The 3AF32C87 and 3AF32C504 propellers may be interchanged in any combination.
16	The 3AF34C92 and 3AF37C516 propellers may be interchanged in any combination.
17	The 3AF32C93 and 3AF32C505 propellers may be interchanged in any combination.
18	And aircraft reworked per Cessna Service Letter SE75-4
19	And aircraft reworked per Cessna Service Kit SK188-76 (S/N 18801825T thru 18802348T) or SK188-77 (S/N 18802349T thru 18803721T)
20	Avoid continuous operation between 2000 - 2250 rpm above 27" MAP.
21	Aircraft reworked per Cessna Service Kit SK182-121
22	Aircraft reworked per Cessna Service Kit SK182-71
23	Aircraft reworked per Cessna Service Kit SK182-71 or SK182-72
24	Aircraft reworked per Cessna Service Kit SK180-45
25	Aircraft reworked per Cessna Service Kit SK180-46
26	Engine must be modified in accordance with Rotax Service Bulletin 912-24
27	Engine must be modified in accordance with Rotax Service Bulletin 914-09
28	Avoid continuous operation between 1650 - 2250 rpm below 15" MAP when above 85 KIAS
29	See latest revision of McCauley Service Bulletin SB 137 for blade and hub life limits. Also refer to McCauley Alert Service Bulletin ASB248. Continuous Propeller Operation Between 2350 and 2450 RPM at 24" MAP and above is prohibited.
30	The D-2771 is obsolete and is replaced by the D-2845, also the D-2771-1 is obsolete and is replaced by the D-2845-1.
31	Use with 7:00 tires or larger
32	Avoid continuous operation between 1900 - 2300 rpm below 10" MAP
33	Avoid continuous operation between 1600 - 1950 rpm below 15" MAP

Constant Speed Propeller Notes

NOTE	DESCRIPTION
34	Avoid continuous operation between 1500 - 1950 rpm below 15" MAP
35	Diameter reduction not permitted when equipped with deice boots
36	See Mooney Service Bulletin M20-198.
37	See Mooney Service Instruction M20-75.
38	See Mooney M20K Gross Weight Increase Retrofit Instructions.
39	Can be operated without spinner assembly
40	Avoid continuous operation between 1400 - 1750 rpm below 15" MAP
41	Avoid continuous operation between 2225 - 2275 rpm.
42	Avoid continuous operation between 2250 - 2550 rpm below 15" MAP while descending
43	Avoid continuous operation between 2000 - 2150 rpm above 20" MAP.
44	This propeller is not eligible on airplane S/N TC-2285 and up pending demonstration of compliance with the noise requirements in accordance with F.A.R. Part 36.
45	This propeller is not eligible on airplane S/N TE-1171 and up pending demonstration of compliance with the noise requirements in accordance with F.A.R. Part 36.
46	This propeller is not eligible on airplane S/N TH-1090 thru TH-1395, except S/N TH-1389 pending demonstration of compliance with the noise requirements in accordance with F.A.R. Part 36.
47	Continuous operation on the ground is prohibited between 600 and 1100 rpm. The propeller must be feathered to ground idle at rotational speeds below 600 propeller shaft rpm.
48	Ground idle is set so that at 71 to 73 percent N1, propeller rpm is not less than 1000 rpm.
49	Continuous ground operation between 700 and 1000 rpm is prohibited Continuous flight operation between 1450 and 1580 rpm is prohibited.
50	Ground idle is set so that at 58 to 60 percent N1, propeller rpm is not less than 1100 rpm.
51	Reduced External Noise Option, factory installed by Beech per Beech Drawing 36-005003.
52	Avoid continuous operation between 1900 - 2200 rpm above 22" MAP
53	Avoid continuous operation between 1750 - 2050 rpm below 10" MAP
54	P7036368-01, Cessna paint scheme without electric deice P7036368-0154, Cessna paint scheme with electric deice P7036368-0254, FedEx paint scheme with electric deice
55	The engine oil transfer tube used with Beechcraft or Flottorp propellers are not compatible with McCauley propellers. See Beechcraft Service Instruction No. 0625-248.
56	See Mooney Service Bulletin M20-214.
57	Continuous ground operation between 82% (1273 RPM) and 90% (1397 RPM) and below 68% (1055 RPM) is prohibited. Except for takeoff, continuous ground operation is prohibited when the torque is greater than 60% and the wind is greater than 15 kts unless the wind is from within ± 45 degrees of the nose of the airplane.
58	It is mandatory that propeller models C46 and C56 be replaced by the C60 and C61 per McCauley SB 68A.
59	Refer to MPC400 for various configurations

Constant Speed Propeller Notes

NOTE	DESCRIPTION
60	Avoid continuous operation below 15" MAP when above 85 KIAS Avoid continuous operation at or above 26" MAP
61	Ground idle is set so that at 59 percent N1, propeller rpm is not less than 1100 rpm.
62	STC kit should only be installed on aircraft S/N 35228, and S/N 35263 and up which have been modified in accordance with Cessna Service Letter 65-34
63	Ground idle operation below 47% N _p is prohibited, except when feathered. Operation at or below 18% N _p is permissible.
64	Teledyne Continental Motors engine model IO-470 series with a maximum continuous and takeoff rating up to 260hp at 2625 rpm are eligible.
65	Minimum propeller ground idle RPM shall not be less than 70% (1114 RPM) of the maximum continuous and takeoff propeller shaft speed.
66	Modified with Mooney M20J cowling
67	Avoid continuous operation between 1650 - 2200 rpm below 15" MAP when above 85 KIAS
68	Narrow deck engine only
69	Wide deck engine only
70	This STC kit should be used for aircraft equipped with the LoPresti cowling.
71	Avoid continuous operation between 1650 - 1900 rpm above 24" MAP
72	After 5 minutes, reduce to 2600 rpm.
73	minimum ground idle rpm for continuous operation shall not be less than 1100 rpm
74	Ng must be set higher than 52% to achieve a minimum propeller (N _p) rpm of 1150 at Minimum Idle.
75	Ng must be set higher than 56% to achieve a minimum propeller (N _p) rpm of 1150 at Minimum Idle.
76	Minimum propeller ground idle rpm for continuous operation shall not be less than 70% (1400 rpm)
77	minimum ground idle rpm for continuous operation shall not be less than 1050 rpm
78	70% minimum ground idle RPM With a tailwind component present, avoid stationary operations with engine RPM greater than 99%.
79	Avoid continuous operation between 1400 - 1700 rpm below 10" MAP
80	See Cessna kit SK185-55 Continuous operation below 2300 RPM above 25" MAP is prohibited
81	Limited to engine S/N's 41000 and up, and S/N's below 41000 with one 5th and one 6th order damper installed per TCM bulletin M89-24.
82	The nose may have to be rolled per the STC holder's instructions to use the D-3584 and D-5541 spinner assemblies
83	When replacing a C290D2/T11 governor with a DC290D1/T2 or C290D3/T11 governor, Cessna bracket P/N 1750027-3 is required. When replacing a C290D2/T12 governor with a DC290D1/T3 or C290D3/T12 governor, Cessna bracket P/N 2050017-6 is required.
84	Avoid continuous operation between 1900 - 2100 rpm at 26" MAP and above
85	Avoid continuous operation between 1900 - 2150 rpm at 26" MAP and above
86	Avoid continuous operation between 1900 - 2150 rpm at 30" MAP and above

Constant Speed Propeller Notes

NOTE	DESCRIPTION
87	This STC only applies to aircraft using short hubs and not extended hubs
88	Avoid continuous operation between 1900 - 2100 rpm at 25" MAP and above
89	Avoid continuous operation between 2050 - 2250 rpm at 27" MAP and above
90	Avoid continuous operation between 1950 - 2150 rpm at 25" MAP and above
91	This STC only applies to aircraft with extended hub propellers such D3A32C77, D3A32C88, E2A34C70, and E2A34C73.
92	Avoid continuous operation between 1900 - 2350 rpm below 15" MAP
93	Refer to STC for specific operating limitations and restrictions.
94	Placard is required for operating restrictions for continuous operation. Contact STC holder for specifications.
95	Engine Limits: Takeoff (5 min.) 2800 RPM maximum; continuous power - 2600 RPM full throttle.
96	There is a possibility of some RPM cycling issues with the Hartzell governor. If you experience RPM fluctuations, McCauley recommends replacing the Hartzell governor with McCauley governor kit PL20905.
97	S/N LW-1 through LW-347, and LJ-584 - LJ-953 will require supplemental deice kit PL60022 if changing from Hartzell (dual element) to McCauley (single element)
98	4 optional J3804-42 Lord mount assemblies are included with the PL60346 STC kit
99	4 optional J3804-41 Lord mount assemblies are included with the PL60233 and PL60331 STC kits
100	Beech P/N 50-389121-25 Autofeather switch is required
101	Will require supplemental deice kit PL60035 if changing from Hartzell (dual element) to McCauley (single element)
102	McCauley P/N C-60346 low pressure autofeather switch is recommended if problems are encountered when performing pre-flight autofeather system testing in accordance with the Cessna 425 flight manual. Refer to McCauley Service Letter 2005-6
103	STC specifies 11.2 low blade angle with a tolerance of +/- 1.0 degree
104	Avoid continuous operation between 1850 - 2200 rpm above 22" MAP
105	STC requires specific floats, modifications to aircraft, modifications to aircraft landing gear and/or a specific tire size. Refer to STC.
106	See latest revision of SB 137 for blade and/or hub life limits.
107	Requires new cowling
108	Avoid continuous operation above 33" MAP below 2600 rpm
109	The D-7229-X spinner assembly is for non-TKS equipped aircraft only. If the aircraft is equipped with TKS contact Cirrus for replacement bulkheads.
110	Avoid continuous operation between 2300 - 2600 rpm at 36" MAP and above
111	Below 7500 ft. MSL, Avoid continuous operation between 2250 - 2400 rpm above 32" MAP At 7500 ft. MSL and above, Avoid continuous operation between 2250 - 2400 rpm above 34" MAP, and between 2450 - 2650 rpm above 36" MAP
112	Avoid continuous operation between 1900 - 2100 rpm above 25" MAP

STC Information

STC NUMBER	STC HOLDER	Notes
SA1-22	McCauley Propeller Systems	Propeller
SA1-23	McCauley Propeller Systems	Propeller
SA1-24	McCauley Propeller Systems	Propeller
SA1-32	McCauley Propeller Systems	Propeller
SA1-33	McCauley Propeller Systems	Propeller
SA1-41	McCauley Propeller Systems	Propeller
SA1-59	McCauley Propeller Systems	Propeller
SA01-76	Rocky Mountain Aircraft	Propeller and Engine
SA1-89	McCauley Propeller Systems	Propeller
SA1-90	McCauley Propeller Systems	Propeller
SA1-155	McCauley Propeller Systems	Propeller
SA1-156	McCauley Propeller Systems	Propeller
SA1-157	McCauley Propeller Systems	Propeller
SA2BO	U.S. Propeller of Connecticut	Propeller
SA3-11	McCauley Propeller Systems	Propeller
SA3-475	McCauley Propeller Systems	Propeller
SA33CH	McCauley Propeller Systems	Propeller
SA00035NY	Penn Yan Aero	Propeller and Engine
SA53NW	Merlyn Products, Inc.	Propeller and Engine
SA00054WI	P.Ponk Aviation	Propeller
SA77CE	McCauley Propeller Systems	Propeller
SA92NW	Cub Crafters Inc.	Propeller and Engine
SA107RM	Univair Aircraft Corporation	Propeller and Engine (must be used with STC SA7435SW)
SA111NW	Kenmore Air Harbor	Propeller and Engine
SA129CH	McCauley Propeller Systems	Propeller
SA00173AT	Davis Aviation	Propeller and Engine
SA00185BO	Swift Museum Foundation, Inc.	Propeller and Engine (must be used with STC SA53NW)
SA195CH	McCauley Propeller Systems	Propeller
SA238GL	D'Shannon Products	Propeller and Engine
SA253AL	Borer Prop Alaska	Propeller
SA00274AT	John Jewell Aircraft, Inc.	Propeller and Engine
SA275NW	MACHen, Inc.	Propeller and Engine
SA279AL	Borer Prop Alaska	Propeller
SA293NW	Franklin Aircraft Engines, Inc.	Propeller and Engine

STC Information

STC NUMBER	STC HOLDER	Notes
SA302NW	Burl's Aircraft Rebuild, LLC	Propeller and Engine
SA315CH	McCauley Propeller Systems	Propeller
SA332GL	Penn Yan Aero	Propeller and Engine (must be used with STC SA1000EA or SA665CE)
SA00332AT	Aero Mod	Propeller
SA344CE	Team Luscombe, LLC	Propeller and Engine
SA00344WI	P.Ponk Aviation	Propeller and Engine
SA349AL	Alaska Propeller Specialists	Propeller
SA360CH	McCauley Propeller Systems	Propeller
SA372CH	McCauley Propeller Systems	Propeller
SA386GL	Mike Zeller	Propeller and Engine
SA389NW	MACHen, Inc.	Propeller and Engine
SA392AL	Alaska Propeller Specialists	Propeller
SA00393WI	Air Plains Services	Propeller
SA00409WI	Air Plains Services	Propeller
SA412SO	Colemill Enterprises	Propeller and Engine
SA00412WI	Air Plains Services	Propeller
SA00413WI	P. Ponk Aviation	Propeller
SA420CE	Robert or Barbara Williams	Propeller and Engine
SA00422WI	Air Plains Services	Propeller
SA424CE	Robert or Barbara Williams	Propeller and Engine
SA00426WI	Air Plains Services	Propeller
SA00428WI	P. Ponk Aviation	Propeller
SA433CH	McCauley Propeller Systems	Propeller
SA444AL	Bruce V. Zmuda	Propeller
SA461NW	P. Ponk Aviation	Propeller and Engine
SA477CH	McCauley Propeller Systems	Propeller
SA483CH	McCauley Propeller Systems	Propeller
SA495CH	McCauley Propeller Systems	Propeller
SA496CH	McCauley Propeller Systems	Propeller
SA00501AT	Davis Aviation	Propeller
SA501NW	U.S. Propeller of Connecticut	Propeller
SA505SW	Stephen Noyes	Propeller
SA00531WI	Air Plains Services	Propeller
SA532AL	Crosswinds, STOL	Propeller and Engine
SA541AL	Crosswinds, STOL	Propeller and Engine

STC Information

STC NUMBER	STC HOLDER	Notes
SA545CE	Robert or Barbara Williams	Propeller and Engine
SA553AL	Crosswinds, STOL	Propeller and Engine
SA00562SE	Cub Crafters Inc.	Propeller and Engine
SA566AL	Day & Night	Propeller and Engine
SA572CE	Robert or Barbara Williams	Propeller and Engine
SA610AL	Crosswinds, STOL	Propeller and Engine
SA00616AT	Colemill Enterprises	Propeller
SA619CH	D'Shannon Products	Propeller
SA632AL	Alaska Propeller Specialists	Propeller
SA635SW	Jordan Propeller Service	Propeller
SA00640SE	P. Ponk Aviation	Propeller
SA641NW	Kennis G. Blackman	Propeller and Engine
SA644AL	Crosswinds, STOL	Propeller and Engine
SA645AL	Crosswinds, STOL	Propeller and Engine
SA645NE	U.S. Propeller of Connecticut	Propeller
SA656AL	Crosswinds, STOL	Propeller and Engine
SA657AL	Crosswinds, STOL	Propeller and Engine
SA682AL	Crosswinds, STOL	Propeller and Engine
SA686CE	D'Shannon Products	Propeller and Engine
SA00688CH	McCauley Propeller Systems	Propeller
SA693AL	Crosswinds, STOL	Propeller
SA704NE	U.S. Propeller of Connecticut	Propeller
SA00718CH	McCauley Propeller Systems	Propeller and Governor
SA00720CH	McCauley Propeller Systems	Propeller
SA00727WI	Air Plains Services	Propeller
SA753NE	U.S. Propeller of Connecticut	Propeller
SA768NE	U.S. Propeller of Connecticut	Propeller
SA00773CH	McCauley Propeller Systems	Propeller and Governor
SA779NE	U.S. Propeller of Connecticut	Propeller
SA00785CH	McCauley Propeller Systems	Propeller
SA00797CH	McCauley Propeller Systems	Propeller
SA00798CH	McCauley Propeller Systems	Propeller
SA803SO	Swift Museum Foundation, Inc.	Propeller and Engine
SA00816CH	McCauley Propeller Systems	Propeller
SA00819CH	McCauley Propeller Systems	Propeller
SA838NE	U.S. Propeller of Connecticut	Propeller

STC Information

STC NUMBER	STC HOLDER	Notes
SA00857CH	McCauley Propeller Systems	Propeller
SA00860CH	McCauley Propeller Systems	Propeller
SA864NE	U.S. Propeller of Connecticut	Propeller
SA00879CH	McCauley Propeller Systems	Propeller
SA00880CH	McCauley Propeller Systems	Propeller
SA00893CH	McCauley Propeller Systems	Propeller
SA00900CH	Wipaire Inc.	Propeller
SA00915CH	McCauley Propeller Systems	Propeller
SA00920CH	McCauley Propeller Systems	Propeller
SA941NE	U.S. Propeller of Connecticut	Propeller
SA942NE	U.S. Propeller of Connecticut	Propeller
SA00956WI	Aerospace Systems & Technologies	Propeller
SA994NW	Flightcraft, Inc.	Propeller and Engine
SA01033CH	McCauley Propeller Systems	Propeller
SA01035CH	McCauley Propeller Systems	Propeller
SA1036GL	McCauley Propeller Systems	Propeller
SA1048NW	Classic Aire Inc.	Propeller and Engine
SA01154CH	D'Shannon Products	Propeller
SA01058CH	McCauley Propeller Systems	Propeller
SA01157CH	McCauley Propeller Systems	Propeller
SA1166GL	D'Shannon Products	Propeller
SA01218AT	John Jewell Aircraft, Inc.	Propeller and Engine
SA1241GL	McCauley Propeller Systems	Propeller
SA1241SO	Jack H. McGee and Kenneth E. Sparks	Propeller
SA01283WI	P. Ponk Aviation	Propeller and Engine
SA01300AT	Davis Aviation	Propeller and Engine
SA1302AT	John Jewell Aircraft, Inc.	Propeller and Engine
SA1351GL	McCauley Propeller Systems	Propeller
SA1372GL	McCauley Propeller Systems	Propeller
SA1385GL	McCauley Propeller Systems	Propeller
SA1437CE	Isham Aircraft	Propeller and Engine
SA1450SW	Parks Industries	Propeller and Engine
SA1482GL	Wipaire Inc.	Propeller and Engine
SA1489GL	McCauley Propeller Systems	Propeller and Governor
SA1491GL	McCauley Propeller Systems	Propeller
SA01511WI	McCauley Propeller Systems	Propeller

STC Information

STC NUMBER	STC HOLDER	Notes
SA1522GL	Wipaire Inc.	Propeller and Engine
SA01581AT	John Jewell Aircraft, Inc.	Propeller and Engine
SA01583CH	Trace Engines LP	Propeller and Engine
SA1588GL	Wipaire Inc.	Propeller and Engine
SA1593GL	McCauley Propeller Systems	Propeller
SA1598CE	Air Plains Services	Propeller and Engine
SA01601CH	McCauley Propeller Systems	Propeller
SA1623GL	McCauley Propeller Systems	Governor
SA01647AT	McCauley Propeller Systems	Propeller
SA1691GL	D'Shannon Products	Propeller
SA1750NM	Metal Innovations Inc.	Propeller and Engine
SA01777AT	Davis Aviation	Propeller
SA01815CH	Baumann Floats LLC	Propeller & Floats
SA01847CH	McCauley Propeller Systems	Propeller
SA01848CH	McCauley Propeller Systems	Propeller
SA1864SW	Nogle and Black Aviation	Propeller and Engine
SA02029AT	Atlantic Aero	Propeller, Engine, and Governor
SA2069NM	Kenmore Air Harbor, Inc.	Propeller and Engine
SA02097CH	McCauley Propeller Systems	Propeller
SA02168CH	McCauley Propeller Systems	Propeller
SA02170AK	Dan's Aircraft Repair, Inc.	Propeller
SA2200SW	D'Shannon Products	Propeller and Engine
SA2207SO	Colemill Enterprises	Propeller and Engine
SA2229CE	Northwest Propeller Service	Propeller
SA02253AK	Burl's Aircraft Rebuild, LLC	Propeller
SA2253CE	Northwest Propeller Service	Propeller
SA02262CH	Chuck Ney Enterprises Inc.	Propeller and Engine
SA2278NM	Aerotech	Propeller and Engine
SA02311NY	Alamo Aerospace, Inc.	Propeller and Engine
SA2346SW	RAM Aircraft	Propeller and Engine
SA2361SW	D'Shannon Products	Propeller and Engine
SA02388AT	Kilo Alpha 290, LC (National Flight)	Propeller and Engine
SA2397WE	Univair Aircraft Corporation	Propeller
SA2445CE	Meier's Modifications	Propeller and Engine
SA02507AT	Atlantic Aero	Propeller, Engine, and Governor
SA2582NM	American Propeller	Propeller

STC Information

STC NUMBER	STC HOLDER	Notes
SA2660SW	D'Shannon Products	Propeller and Engine
SA2682NM	Flightcraft, Inc.	Propeller and Engine
SA2711NM	Lake Aero Styling & Repair	Propeller and Engine
SA2728SO	Erik Van Veenan	Propeller
SA2750SW	RAM Aircraft	Propeller and Engine
SA2830SO	Davis Aviation	Propeller and Engine
SA2882WE	U.S. Propeller of Connecticut	Propeller
SA2933SO	Davis Aviation	Propeller and Engine
SA2998SO	Colemill Enterprises	Governor
SA3104SO	Aero Mod	Propeller and Engine
SA3106SO	Mod Works	Propeller and Engine
SA3237NM	American Propeller	Propeller
SA3238NM	American Propeller	Propeller
SA3243SO	Davis Aviation	Propeller and Engine
SA03406AT	Wright Aircraft Technology, LLC	Propeller
SA3567NM	Robert Craner	Propeller
SA3825SW	Peterson's Performance Plus, Inc.	Propeller and Engine
SA3845SW	D'Shannon Products	Propeller and Engine
SA4379SW	RAM Aircraft	Propeller and Engine
SA4428SW	Air Plains Services	Propeller and Engine
SA4444NM	Robert Craner	Propeller
SA4546SW	RAM Aircraft	Propeller and Engine
SA5223NM	Engine Technologies (Tornado Alley Turbo)	Propeller and Engine
SA5463SW	Chris Rice	Propeller and Engine
SA5635SW	D'Shannon Products	Propeller and Engine
SA5527SW	D'Shannon Products	Propeller and Engine
SA5664NM	P. Ponk Aviation	Propeller and Engine
SA5682NM	West Star Aviation, Inc.	Propeller and Engine
SA5691NM	STC/Mooney Limited	Propeller and Engine
SA5786SW	Blackhawk Modifications	Propeller and Engine
SA5882SW	U.S. Propeller of Connecticut	Propeller
SA5896NM	American Propeller	Propeller
SA5966NM	P. Ponk Aviation	Propeller and Engine
SA7088NM	Russell Druett	Propeller and Engine
SA7365SW	RAM Aircraft	Propeller and Engine
SA7382SW	RAM Aircraft	Propeller and Engine

STC Information

STC NUMBER	STC HOLDER	Notes
SA7435SW	Univair Aircraft Corporation	Propeller and Engine
SA7463SW	RAM Aircraft	Propeller and Engine
SA7570SW	RAM Aircraft	Propeller and Engine
SA7855SW	Commander Premier Aircraft Corporation	Propeller
SA8604SW	RAM Aircraft	Propeller and Engine
SA8634SW	RAM Aircraft	Propeller
SA8726SW	RAM Aircraft	Propeller
SA8727SW	RAM Aircraft	Propeller
SA8728SW	RAM Aircraft	Propeller
SA8839SW	RAM Aircraft	Propeller
SA8920SW	RAM Aircraft	Propeller and Engine
SA8950SW	Texas Skyways, Inc.	Propeller and Engine
SA8951SW	Texas Skyways, Inc.	Propeller and Engine
SA8981SW	RAM Aircraft	Propeller and Engine
SA8989SW	RAM Aircraft	Propeller and Engine
SA09018SC	Texas Skyways, Inc.	Propeller and Engine
SA09026SC	Texas Skyways, Inc.	Propeller and Engine
SA09132SC	Texas Skyways, Inc.	Propeller and Engine
SA09133SC	Texas Skyways, Inc.	Propeller and Engine
SA09400SC	Texas Skyways, Inc.	Propeller and Engine
SA09558SC	Texas Skyways, Inc.	Propeller and Engine
SA09603SC	Hammock Aviation Services, Inc.	Propeller and Engine
SA09619SC	Hammock Aviation Services, Inc.	Propeller and Engine
SA10364SC	Blackhawk Modifications	Propeller and Engine
SA10406SC	Alamo Aerospace, Inc.	Propeller
SA10811SC	Alamo Aerospace, Inc.	Propeller and Engine
SA10842SC	Enhanced Aero, LLC	Engine

STC Holder Information

Name	Address 1	Address 2	City	State	Zip	Phone 1	Phone 2	Fax	Email	Web Site
AEROSPACE SYSTEMS & TECHNOLOGIES INC.	2734 Arnold Court		Salina	KS	67401	785-493-0946		785-493-0950		www.weepingwings.com
AEROTECH	2502 John Montgomery Dr.		San Jose	CA	95148					
AIR PLAINS SERVICES, CORP.	439 North West Road	Wellington Airport	Wellington	KS	67152	800-752-8481	620-326-8904	620-326-5346	sales@airplains.com	www.airplains.com
ALAMO AEROSPACE, LP	PO Box 1209	351 Airport Drive	Decatur	TX	76234	940-527-6709		940-627-6830	Jack@alamoaerospace.com	www.alamoerospace.com
ALASKA PROPELLER SPECIALISTS, INC.	5251 Lakeshore Drive		Anchorage	AK	99502					
AMERICAN PROPELLER SERVICE	20208 Charlanne Dr.		Redding	CA	96002	800-292-7767	530-221-4470	530-221-5201		www.americanpropeller.com/
ATLANTIC AERO, INC. (AERO MOD)	705 Indeneer Drive		Kernersville	NC	27284	336-992-1100				
BAUMANN FLOATS LLC	10-1 Airport Road		New Richmond	WI	54017	715-246-9352		715-246-9379	birkemeyer@baumannfloats.com	www.baumannfloats.com
BLACKHAWK MODIFICATIONS, INC.	7601 Karl May Drive		Waco	TX	76708	254-755-6711		254-754-1532		www.blackhawk.aero
BLACKMAN, KENNIS G.										
BORER PROP ALASKA	531 Falcon View Street		Fairbanks	AK	99712	907-457-6365			mdgavin@hotmail.com	
BURL'S AIRCRAFT REBUILD, LLC	PO Box 671487		Chugiak	AK	99567-1487	907-688-3715	877-688-3715	907-688-5031		
CHUCK NEY ENTERPRISES INC.	9410 East 46th St. North		Tulsa	OK	74117	918-836-5323			info@chuckneyent.com	www.chuckneyent.com/stcs_mods.asp
CLASSIC AIRE INC.	276 Old Dallas Road SW		Cartersville	GA	30120	770-386-7435		770-607-3051	c.aire@mindspring.com	
COLEMILL ENTERPRISES, INC.	PO Box 60627	Cornelia Fort Airpark	Nashville	TN	37206	615-226-4256		615-226-4702		www.colemill.com
COMMANDER PREMIER AIRCRAFT CORP.	20 Stanford Drive		Farmington	CT	06032					www.commanderpremier.com
CRANER, ROBERT A.	2401 Gondar Avenue		Long Beach	CA	90815					
CROSSWINDS, S.T.O.L.	HC 36 Box 2950		Wasilla	AK	99654					
CUB CRAFTERS LLC	1920 South 16th		Yakima	WA	98903	509-248-1025		509-853-2783	vera@cubcrafters.com	www.cubcrafters.com
DAN'S AIRCRAFT REPAIR	1931 Merrill Field Drive		Anchorage	AK	99501	907-278-9516		907-278-9517		
DAVIS AVIATION SERVICE	100 Air Cargo Center Dr. CC102		Blountville	TN	37617	423-652-1113		423-652-2503	dasi@naxs.net	
DAY & NIGHT, INC	1729C SRA		Anchorage	AK	99507					
D'SHANNON PRODUCTS	125 Idaho Avenue North		Golden Valley	MN	55427	800-291-7616	763-559-5998	763-535-3759	d-shannon-aviation@comcast.net	www.d-shannon-aviation.com/
DRUETT RUSSELL CO	1458 W. Jacinto View Rd.		Banning	CA	92220-4301	951-849-5356			ies.druett@yahoo.com	
ENHANCED AERO, LLC	5020 Canyon Trail		McGregor	TX						
FLIGHTCRAFT, INC. / PORTLAND	7505 NE Airport Way	Portland International Airport	Portland	OR	97218	503-331-4288		503-282-1200		
FRANKLIN AIRCRAFT ENGINES, INC	136 Racquette Drive		Fort Collins	CO	80524	970-224-4404		803-359-3158		
HAMMOCK AVIATION SERVICES INC.	3002 W. Ennis Avenue	Ennis Municipal Airport	Ennis	TX	75119	972-875-4279		972-878-8505		
ISHAM AIRCRAFT	4300 Palos Verdes		Valley Center	KS	67147	316-640-4840		316-755-0713		
JOHN JEWELL AIRCRAFT	PO Box 399	162 A.Q. Greer Dr.	Holly Springs	MS	38635	662-252-6377		662-252-2700	csaunders@johnjewellaircraft.com	
JORDAN PROPELLER SERVICE	103 East Rhapsody		San Antonio	TX	78216	210-344-3064		210-344-9433	jordprop@netexpress.com	
KENMORE AIR HARBOR	PO Box 82064		Kenmore	WA	98028-0064					
LAKE AERO STYLING & REPAIR	900 F Skypark Drive		Lakeport	CA	95453	(707) 263-0412		(707) 263-0420	service@lasar.co	www.lasar.com
LOPRESTI SPEED MERCHANTS	2620 Airport North Drive		Vero Beach	FL	32960	800-859-4757	772-562-4757	772-563-0446		www.speedmods.com
MACHen, Inc	South 3410 Davidson Blvd		Spokane	WA	99204					
McGEE, JACK H. AND SPARKS, KENNETH E.	4435 Holmes Ave		N. Charleston	SC	29406					
MEIER'S MODIFICATIONS	220 East Airport Ave.		Venice	FL	34285					
MERLYN PRODUCTS, INC.	West 7500 Park Drive		Spokane	WA	99224-5726					
METAL INNOVATIONS INC.	22255 Yellow Gate Lane NE		Aurora	OR	97002					
MOD WORKS	8250 Skyline Way		Punta Gorda	FL	33982					
NATIONAL FLIGHT SERVICE	10971 E. Airport Services Rd.		Swanton	OH	43558	419-865-2311		419-866-8310	info@nationalflight.com	www.nationalflight.com/
NOGLE AND BLACK AVIATION	880 North County Rd 900 East		Tuscola	IL	61953	217-253-4342				
NORTHWEST PROPELLER SERVICE INC.	16709 Meridian Street E, unit 3		Puyallup	WA	98375	253-770-7400		253-770-7400	nwpropeller@seanet.com	
P. PONK AVIATION	Camano Island Airfield	1212 North Moore Road #2	Camano Island	WA	98282-8820	360-629-4812		360-629-4811	info@pponk.com	www.pponk.com
PARKS INDUSTRIES LTD., INC.	PO Box 32205	7955 S. Osage St.	Amarillo	TX	79120	806-622-0602		806-622-1169		
PENN YAN AERO SERVICES	2499 Bath Road		Penn Yan	NY	14527	800-727-7230	315-536-2333	315-536-2335		www.PennYanAero.com
PETERSON'S PERFORMANCE PLUS	1465 SE 30th	El Dorado Municipal Airport	El Dorado	KS	67042	316-320-1080				
RAISBECK ENGINEERING, INC.	4411 S. Ryan Way		Seattle	WA	98178	800-537-7277	206-723-2000	206-723-2884		www.raisbeck.com/
RAM AIRCRAFT, LP	7505 Karl May Drive	Waco Regional Airport	Waco	TX	76708	254-752-8381		254-752-3307		www.ramaircraft.com
RICE, CHRIS	North Texas Aero Inc.	PO Box 428	Roanoke	TX	76262					
ROCKY MOUNTAIN AIRCRAFT	c/o Springbank Airport	Box 27 Site 16, R.R. 2	Calgary, ALBERTA	CANADA	T2P 2G5	403-288-3305		403-247-6846		
STC/MOONEY LIMITED	6427 E. Rutter Road	Felts Field	Spokane	WA	99212					
STEPHEN NOYES (NOYES ENTERPRISES)	92 Hanover St.		Newbury	MA	01951	978-836-0361	978-462-0966		MisterL19@aol.com or MisterL19@comcast.net	
SWIFT MUSEUM FOUNDATION, INC.	PO Box 644	217 Co. Rd. 552	Athens	TN	37371-0644	423-745-9547		423-745-9869	swiftychs@aol.com	
TEAM LUSCOMBE, LLC	241 South Washington Street		Chandler	AZ	85225	480-917-0969		480-917-4719		
TEXAS SKYWAYS	308 Boerne Stage Airfield		Boerne	TX	78006	830-755-8989		830-755-2384	txskyway@texas.net	
TORNADO ALLEY TURBO, INC.	300 Airport Road		Ada	OK	74820	877-359-8284	580-332-3510	580-332-4577		www.taturbo.com
TRACE ENGINES LP	3000 W. Interstate 20		Midland	TX	79701	432-618-7223	877-359-8284	432-618-8745		www.traceengines.com/
UNIVAIR AIRCRAFT CORPORATION	2500 Himalaya Road		Aurora	CO	80011					
U.S. PROPELLER SERVICE OF CONNECTICUT	6 Matthews Dr.	PO Box 244	East Haddam	CT	06423	860-873-1494	800-878-6377	860-873-2388		www.airplanepropeller.com/
C/O NEW ENGLAND PROPELLER										

STC Holder Information

Name	Address 1	Address 2	City	State	Zip	Phone 1	Phone 2	Fax	Email	Web Site
VAN VEENEN, ERIK	Am Hassel 13		26892 Heede/EMS	Germany					Pent-Ax-5D@T-online.de	
WEST STAR AVIATION	796 Heritage Way		Grand Junction	CO	81502-4490	800-255-4193	970-243-7500	970-242-5178		www.airnav.com/airport/KGJT/WEST_STAR
ROBERT OR BARBARA WILLIAMS	213 N. Clark		Udall	KS	67146	620-782-3317				
WIPAIRE, INC.	8520 River Road		Inver Grove Heights	MN	55076	651-451-1205		651-451-1786	sales@wipaire.com	www.wipaire.com/
WRIGHT AIRCRAFT TECHNOLOGIES LLC	151 D W Wright Road		Moultrie	GA	31788	(229) 324-3163			wrightaircraft@windstream.net	
LOUIS ("MIKE") M. ZELLER, JR	8875 Meinschein Rd.		Mount Vernon	IN	47620	(812) 985-5883				
BRUCE V. ZMUDA	531 Falcon View Street		Fairbanks	AK	99712	907-694-9861				

STC FOREIGN APPROVALS

Propeller Model	Aircraft	Aircraft S/N Range	Country	EASA Approved Yes = "X"	Foreign Approval Document Number	FAA STC Number	DATE
2A34C203/90DCA-X	Cessna 180 - 180F Cessna 182 - 182L		UK	X	AAN 28041	SA01033CH	12/18/02
2A37C223/90RB-6	Beech 35-33, -A33, - B33, -C33, -C33A E33, E33A, E33C, F33, F33A, F33C, G33, H35, J35, K35, M35, N35, P35, S35, V35, V35A, V35B 36, A36		Italy		99/287/MAE	SA1489GL	01/26/99
B3D34C405/90DFA-13	Commander 114		Germany	X	1028 Hoffmann Propeller	SA4444NM	02/01/87
B3D32C412/82NDA-5	Piper PA-24-250		Germany	X	STC SA 1206 M214/M203/586/2001	SA00773CH	02/13/01
B3D32C412/82NDA-5	Piper PA-24-250		Italy	X	99/1452/MAE	SA00773CH	04/14/99
B3D32C412/82NDA-5	Piper PA-24-250		UK	X	AAN 26568 Issue 1	SA00773CH	10/01/98
B3D32C412/82NDA-5	Piper PA-24-250		UK	X	AAN 26568 Issue 2 (noise approval)	SA00773CH	04/11/00
B3D36C424/74SA-0	Piper PA-28R-200		Australia		F94/1846	SA129CH	11/14/94
B3D36C427/82NGA-2	Piper PA-32-300, PA- 32R-300, & PA-32RT- 300		UK	X	AAN 26467	SA433CH	03/31/98
B3D36C429/82NPA-6	Beech A23-24, 24, A24, A24R, B24R, C24		Germany	X	EASA.IM.A.S.02322	SA496CH	05/22/07
B3D36C431/80VSA-1	FR182	FR18200043 and upwards	Germany	X	EASA.IM.A.S.01875	SA00798CH	06/08/06
B3D36C433/80VS-1	FR182	FR18200001 - FR18200045	Germany	X	EASA.IM.A.S.01875	SA00798CH	06/08/06
B3D36C433/80VSA-1	Piper PA-32-300, PA- 32R-300, PA-32RT- 300, PA-32-301, & PA- 32R-301(SP)		UK	X	AAN 26467	SA433CH	03/31/98
3A36C434/80VEA-0	Beech E-33		Japan		STC 11-98-006 TCF-1-201A (KSA-PRO-HS-01)	SA00718CH	07/18/98

STC FOREIGN APPROVALS

Propeller Model	Aircraft	Aircraft S/N Range	Country	EASA Approved Yes = "X"	Foreign Approval Document Number	FAA STC Number	DATE
D3A36C435/80VEA-0	Cessna 210, A, B, C, 210-5		Argentina		CTS 0808.17 (A)	SA00920CH	08/14/08
D3A36C435/80VEA-0	Cessna 210, A, B, C, 210-5		Germany	X	STC SA 1205	SA00920CH	02/13/01
D3A34C444/78MLA-0	Cessna 350 LC42-550FG		Brazil		2007S07-01	SA01390WI	07/26/07
3AF32C528/82NEA-(X)	Cessna 310P, Q, T310P, Q and R		UK	X	AAN 27412	SA00880CH	06/26/00
4HFR34C652/L106LA-0	Jetstream J31		Canada		STC SA89-62	SA1372GL	09/28/89
4HFR34C652/L106LA-0	Jetstream J31		UK	X	AAN 27314	SA1372GL	05/19/00
4HFR34C754/94LA-0	Beech 200 & B200		Brazil		STC 9711-01	SA1036GL	11/10/97
4HFR34C755/94LA-0	Beech 200		Germany	X	NTC 06.910.2047 (noise approval)		02/10/89
4HFR34C762/94LMA-4	Beech C90, C90A, E90		Brazil		STC 9608-03 247-FDH/IFI	SA1241GL	09/11/98
4HFR34C762/94LMA-4	Cessna 425		France	X	STC IM12-SI-001	SA1491GL	12/29/99
4HFR34C762/94LMA-4	Beech C90A, E90		Germany	X	NTC 06.910.2021 (noise approval)		05/07/90
4HFR34C763/94LMA-4	Beech 65-A90, B90, C90		Brazil		STC 9608-03 247-FDH/IFI	SA1241GL	09/11/98
4HFR34C763/94LMA-4	Beech 65-A90, B90, & C90		Germany	X	NTC 06.910.2021 (noise approval)		05/07/90
4HFR34C764/94LMB-0	DHC-6-300		Canada		STC SA99-6 Issue 1	SA1385GL	02/15/99
4HFR34C766/94LNA-2	Piper PA-31T	S/N 31T7720001 and up use supplement No. 01/CTA/94 S/N 31T760057 and below use supplement No. 02/CTA/94.	Brazil		STC 9510-05	SA1593GL	11/13/95
4HFR34C771/94LA-0	Beech 200, B200		Brazil		STC 9711-01	SA1036GL	11/10/97
4HFR34C775/96MGA-0	Cessna 208, A, B		Brazil		STC# 2007S07-04	SA02168CH	07/24/07
4HFR34C775/96MGA-0	Cessna 208, A, B		Korea		STCA200801	SA02168CH	08/13/08
5HFR34C1008/96LTA-0	Beech 200, B200		Brazil		STC 2008S09-06	SA01157CH	09/18/08

OEM Kits

Fairchild

SA227-AC	Metro III, C-26A
SA227-AT	Merlin IV C
SA227-BC	Metro III, C-26A
SA227-CC	Metro 23
SA227-DC	Metro 23, C-26B

OEM kits contain all parts required for one side of aircraft including propeller, spinner, and deice hardware. They also can be used for Dowty to McCauley conversion on AC and AT aircraft.

Quantity per Aircraft	McCauley P/N	Part Description
2	D-6933	OEM Kit (AC, AT, BC, CC, DC) (P6525322-0407)

The following engine parts are required if converting from Dowty to McCauley, but are not supplied with the kits. Refer to Honeywell service information for engine conversion procedures and latest P/N's.

Quantity per Aircraft	Honeywell P/N	Part Description
2	897478-2	Beta Tube
2	897542-8	Beta Switch
2	895485-1	Gasket
2	895475-17	Prop Pitch Control Cam Assy (Replacement for 895475-7)

Additional information:

D-6935 is a Field Replacement Kit (spare) containing a P6525322-0407 propeller with a bulkhead, slip ring, and wiring harness.

D-40313 is the Deice Installation drawing

OEM Kits

Jetstream J32

OEM kits contain all parts required for one side of aircraft including propeller, spinner, and deice hardware. They also can be used for Dowty to McCauley conversion.

Quantity per Aircraft	McCauley P/N	Part Description
2	D-7353	OEM kit (P6536401-0455) (painted spinner)
	OR	
2	D-7354	OEM kit (P6536401-0455) (polished spinner)
2	D-45059	Deice timer

The following engine parts are required if converting from Dowty to McCauley, but are not supplied with the kits. Refer to Honeywell service information for engine conversion procedures and latest P/N's.

Quantity per Aircraft	Honeywell P/N	Part Description
2	897478-2	Beta Tube
2	865956-7	Beta Pressure Switch
2	895485-1	Gasket
2	895475-17	Prop Pitch Control Cam Assembly (replacement for 895475-7)

BAE service bulletin no. 61-JA900242 contains the accomplishment instructions and lists the new parts necessary to convert the aircraft from Dowty to McCauley. Also need Flight Manual amendment from BAE.

Additional information:

D-7355 is a Field Replacement Kit (spare) containing a P6536401-0455 propeller with a bulkhead, slip ring, and wiring harness.

D-40532 is the Deice Installation drawing

OEM Kits

Jetstream J41

<u>-X kits</u>	<u>Propeller Model</u>	<u>Propeller Part Number</u>
-1	B5JFR36C1101/114GCA-X	P11016416-0116
-2	C5JFR36C1102/L114GCA-X	P11026417-0117
-3	B5JFR36C1103/114HCA-X	P11036416-0116
-4	C5JFR36C1104/L114HCA-X	P11046417-0117
	Replacement Propeller Kit (Airline spare)	
D-6990-X	propeller fully assembled	
D-6990-XTD	propeller disassembled Contains propeller assembly, bulkhead, slip ring, wire harness and associated hardware.	
	Breakdown Propeller Kit	
D-7219-X	propeller disassembled Contains propeller assembly. It does not contain wire harness, slip ring, or spinner assembly	
D-40550	Installation Drawing	
E-6466	Spinner Assembly	

Overhaul and Oil Fill Conversion Kits

Prop	Kit	Notes
C201	PL-6616	Oil fill conversion kit
C203	PL-7563	Oil fill conversion kit
C204	PL-7563	Oil fill conversion kit
C205	PL-7379	Oil fill conversion kit
C209	PL-7563	Oil fill conversion kit
C227	PL-7563	Oil fill conversion kit
C652	PL-6402	Overhaul Kit
C653	PL-7357	Overhaul Kit
C703	PL-6404	Overhaul Kit
C764	PL-6403	Overhaul Kit
C1003	PL-6484	Overhaul Kit
C1101	PL-6899	Overhaul Kit
C1102	PL-7223	Overhaul Kit
C1103	PL-6899	Overhaul Kit
C1104	PL-7223	Overhaul Kit

Governor P/N

Model	P/N	OEM P/N	Replacement
C290D1/T1		Cessna C161030-0101	C290D3/T1
C290D2/T1	D-20088-1	Cessna C161030-0102	C290D3/T1
C290D2/T2	D-20088-2	Cessna C161030-0103	C290D4/T2
C290D2/T3	D-20088-3		C290D3/T3 DC290D1/T1
C290D2/T4	D-20088-4	Cessna C161030-0104	C290D4/T4
C290D2/T5	D-20088-5	Cessna C161030-0105	C290D3/T5
C290D2/T6	D-20088-6	Cessna C161030-0106	C290D3/T6
C290D2/T7	D-20088-7	Beech 35-380088	
C290D2/T8	D-20088-8	Beech 33-380008	
C290D2/T9	D-20088-9	Cessna C161030-0107	C290D3/T9
C290D2/T10	D-20088-10		C290D3/T10
C290D2/T11	D-20088-11	Cessna C161030-0108	C290D3/T11 DC290D1/T2
C290D2/T12	D-20088-12	Cessna C161030-0109	C290D3/T12
C290D2/T13	D-20088-13		
C290D2/T16	D-20088-16		C290D3/T16 DC290D1/T4
C290D3/T1	D-20309-1	Cessna C161031-0101	
C290D3/T3	D-20309-3		DC290D1/T1
C290D3/T5	D-20309-5	Cessna C161031-0102	
C290D3/T6	D-20309-6	Cessna C161031-0103	
C290D3/T9	D-20309-9	Cessna C161031-0104	
C290D3/T10	D-20309-10		
C290D3/T11	D-20309-11	Cessna C161031-0105	DC290D1/T2
C290D3/T12	D-20309-12	Cessna C161031-0106	DC290D1/T3
C290D3/T14	D-20309-14	Cessna C161031-0107	
C290D3/T15	D-20309-15	Cessna C161031-0108	
C290D3/T16	D-20309-16	Cessna C161031-0109	DC290D1/T4
C290D3/T18	D-20309-17	Cessna C161031-0112	DC290D1/T6
C290D3/T19	D-20309-18	Cessna C161031-0110	
C290D3/T20	D-20309-21	Mooney 660115-505	
C290D3/T21	D-20309-19	Cessna C161031-0111	DC290D1/T7
C290D3/T22	D-20309-20	Cessna C161031-0113	DC290D1/T8
C290D3/T23	D-20309-22	Beech 35-380088-3	
C290D3/T26	D-20309-23		DC290D1/T10

Governor P/N

Model	P/N	OEM P/N	Replacement
C290D3/T27	D-20309-24	Mooney 660115-507	DC290D1/T11
C290D3/T29	D-20309-25		DC290D1/T12
C290D3/T30	D-20309-26		DC290D1/T14
C290D3/T31	D-20309-27		DC290D1/T15
C290D3/T33	D-20309-29		DC290D1/T16
C290D3/T34	D-20309-30		
C290D3/T35	D-20309-31		
C290D3/T36	D-20309-32		
C290D3/T37	D-20309-33	Beech 35-380088-7	
C290D3/T38	D-20309-34		DC290D1/T17
C290D3/T39	D-20309-35		DC290D1/T18
C290D3/T40	D-20309-36		
C290D3/T41	D-20309-37		DC290D1/T19
C290D3/T42	D-20309-38		DC290D1/T20
C290D3/T43	D-20309-39		
C290D3/T44	D-20309-40		DC290D1/T21
C290D3/T45	D-20309-41	Mooney 660115-511	C290D8/T1
C290D3/T46	D-20309-46	Mooney 660115-521	
C290D3/T47	D-20309-47		
C290D3/T48	D-20309-48	Mooney 660115-523	C290D8/T2
C290D3/T49	D-20309-49		
C290D3/T50	D-20309-50		
C290D3/T51	D-20309-51		
C290D4/T2	C-20373-1	Cessna C161032-0101	
C290D4/T4	C-20373-2	Cessna C161032-0102	
C290D4/T5	C-20373-3		
C290D5/T17	D-20611-1		DC290D1/T5
C290D5/T24	D-20611-2	Mooney 660115-000	DC290D1/T9
C290D6/T28	D-20831-1		
C290D7/T1	D-20911-1		
C290D7/T2	D-20911-2		
C290D7/T3	D-20911-3		
C290D8/T1	D-20960-1	Mooney 660115-525	
C290D8/T2	D-20960-2	Mooney 660115-527	
DC290D1/T1	D-20893-1		
DC290D1/T2	D-20893-2	Cessna C-161031-0114	

Governor P/N

Model	P/N	OEM P/N	Replacement
DC290D1/T3	D-20893-3	Cessna C-161031-0115	
DC290D1/T4	D-20893-4	Cessna C-161031-0116	
DC290D1/T5	D-20893-5		
DC290D1/T6	D-20893-6	Cessna C-161031-0117	
DC290D1/T7	D-20893-7	Cessna C-161031-0118	
DC290D1/T8	D-20893-8	Cessna C-161031-0119	
DC290D1/T9	D-20893-9		
DC290D1/T10	D-20893-10		
DC290D1/T11	D-20893-11		
DC290D1/T12	D-20893-12		
DC290D1/T13	D-20893-13		
DC290D1/T14	D-20893-14		
DC290D1/T15	D-20893-15		
DC290D1/T16	D-20893-16		
DC290D1/T17	D-20893-17		
DC290D1/T18	D-20893-18		
DC290D1/T19	D-20893-19		
DC290D1/T20	D-20893-20		
DC290D1/T21	D-20893-21		
DC290D1/T22	D-20893-22		
DC290D1/T23	D-20893-23		
DC290D1/T24	D-20893-24		
DC290D1/T25	D-20893-25	Cessna C-161031-0120	
DC290D1/T26	D-20893-26		
DC290D1/T27	D-20893-27		
DC290D1/T28	D-20893-28		
DC290D1/T29	D-20893-29		
DC290D1/T30	D-20893-30		
DC290D1/T31	D-20893-31		
DC290D1/T32	D-20893-32		
DC290D1/T33	D-20893-33		
DC290D1/T34	D-20893-34		
DC290D1/T35	D-20893-35		
DC290D1/T36	D-20893-36		
DC290D1/T37	D-20893-37	Cessna C-161031-0121	
DC290D1/T38	D-20893-38		

Governor P/N

Model	P/N	OEM P/N	Replacement
DC290D1/T39	D-20893-39		
DC290D1/T40	D-20893-40		
DC290D1/T41	D-20893-41		
DC290D1/T42	D-20893-42		
DC290D1/T43	D-20893-43		
ADC330D1/T1	D-20916-1		
ADC310D1/T2	D-20916-2		
ADC310D1/T3	D-20916-3		
ADC310D1/T4	D-20916-4		
ADC310D1/T5	D-20916-5		
ADC310D1/T6	D-20916-6		
CF310D1/T1	D-20181-1		
CF310D2/T1	D-20307-1	Cessna C161031-0201	DCF310D7/T1
DCF290D1/T2	D-20186-1		
DCF290D1/T3	D-20186-2		
DCF290D1/T4	D-20186-3		
DCF290D2/T2	D-20297-1		DCF290D7/T2
DCF290D2/T3	D-20297-2		DCF290D7/T3
DCF290D2/T4	D-20297-3		DCF290D7/T4
DCF290D2/T6	D-20297-4		DCF290D7/T6
DCF310D7/T1	D-20676-1	Cessna C161031-0207	
DCF290D7/T2	D-20676-5		
DCF290D7/T3	D-20676-2		
DCF290D7/T4	D-20676-4		
DCF290D7/T6	D-20676-3		
DCF290D7/T7	D-20676-6		
DCF290D7/T8	D-20676-7		
DCF290D7/T9	D-20676-8		
DCF290D7/T10	D-20676-9		
DCF290D7/T11	D-20676-11		
DCF310D11/T1	D-20937-1		
CFS310D1/T1	D-20207-1		DCFS310D7/T5
CFS310D2/T1	D-20303-1	Cessna C161031-0202	DCFS310D7/T5
CFS310D3/T1	D-20441-1	Cessna C161032-0203	DCFS310D7/T5
DCFS290D1/T2	D-20190-1		
DCFS290D1/T3	D-20190-2		

Governor P/N

Model	P/N	OEM P/N	Replacement
DCFS290D1/T4	D-20190-3		
DCFS290D2/T2	D-20299-1		DCFS290D7/T2
DCFS290D2/T3	D-20299-2		DCFS290D7/T3
DCFS290D2/T4	D-20299-3		DCFS290D7/T4
DCFS290D2/T6	D-20299-4		DCFS290D7/T6
DCFS310D3/T1	D-20423-1	Cessna C161032-0201	
DCFS290D4/T3	D-20519-2		DCFS290D7/T3
DCFS310D4/T5	D-20519-1	Cessna C161032-0205	DCFS310D7/T5
DCFS310D4/T6	D-20519-3		
DCFS290D5/T3	D-20537-1		
DCFS310D6/T1	D-20651-3		DCFS310D8/T1
DCFS290D6/T3	D-20651-1		DCFS290D8/T3
DCFS290D7/T2	D-20672-5		
DCFS290D7/T3	D-20672-2		
DCFS290D7/T4	D-20672-4		
DCFS310D7/T5	D-20672-1	Cessna C161032-0209	
DCFS290D7/T6	D-20672-3		
DCFS310D8/T1	D-20686-3	Cessna C161032-0207	
DCFS290D8/T3	D-20686-1		
DCFS290D9/T3	D-20741-1		
DCFS290D9/T6	D-20741-2		
DCFS290D9/T7	D-20741-7		
DCFS290D10/T1	D-20940-1		
DCFT290D11/T7	D-20762-1	Cessna C161032-0302	
DCFT290D16/T7	D-20792-1	Cessna C161032-0301	
DCFTS290D10/T7	D-20756-1	Cessna C161032-0306	
DCFTS290D15/T7	D-20796-1	Cessna C161032-0305	
DCFTU290D11/T7	D-20760-1	Cessna C161032-0304	
DCFTU290D16/T7	D-20794-1	Cessna C161032-0303	
CFU310D1/T1	D-20177-1		DCFU310D13/T1 DCFU310D7/T1
CFU310D2/T1	D-20305-1	Cessna C161031-0203	DCFU310D13/T1 DCFU310D7/T1
CFU310D2/T5	D-20305-2	Cessna C161031-0205	DCFU310D13/T5 DCFU310D7/T5
DCFU290D1/T2	D-20140-1		

Governor P/N

Model	P/N	OEM P/N	Replacement
DCFU290D1/T3	D-20140-2		
DCFU290D1/T4	D-20140-3		
DCFU290D2/T2	D-20295-1		DCFU290D13/T2 DCFU290D7/T2
DCFU290D2/T3	D-20295-2		DCFU290D13/T3 DCFU290D7/T3
DCFU290D2/T4	D-20295-3		DCFU290D13/T4 DCFU290D7/T4
DCFU290D2/T6	D-20295-4		DCFU310D13/T6 DCFU290D7/T6
DCFU310D7/T1	D-20678-1	Cessna C161031-0208	DCFU310D13/T1
DCFU290D7/T2	D-20678-6		DCFU290D13/T2
DCFU290D7/T3	D-20678-3		DCFU290D13/T3
DCFU290D7/T4	D-20678-5		DCFU290D13/T4
DCFU310D7/T5	D-20678-2	Cessna C161031-0209	DCFU310D13/T5
DCFU290D7/T6	D-20678-4		DCFU310D13/T6
DCFU310D13/T1	D-20777-1	Cessna C161031-0208	
DCFU290D13/T2	D-20777-6		
DCFU290D13/T3	D-20777-3		
DCFU290D13/T4	D-20777-5		
DCFU310D13/T5	D-20777-2	Cessna C161031-0209	
DCFU290D13/T6	D-20777-4		
DCFU290D13/T7	D-20777-8		
DCFU290D13/T8	D-20777-7	Beech 96-380030-9	
DCFU290D13/T9	D-20777-9		
DCFU290D13/T10	D-20777-10		
DCFU290D13/T11	D-20777-11		
DCFU290D17/T1	D-20925-1		
DCFU290D17/T2	D-20925-2		
CFUS310D1/T1	D-20206-1		
CFUS310D1/T2	D-20206-2		
CFUS310D1/T3	D-20206-3		
CFUS310D1/T4	D-20206-4		
CFUS310D2/T1	D-20301-1	Cessna C161031-0204	DCFUS310D13/T1 DCFUS310D7/T1

Governor P/N

Model	P/N	OEM P/N	Replacement
<i>CFUS310D2/T5</i>	<i>D-20301-2</i>	Cessna C161031-0206	DCFUS310D13/T5 DCFUS310D7/T5
<i>CFUS310D3/T5</i>	<i>D-20443-1</i>	Cessna C161032-0204	DCFUS310D13/T5 DCFUS310D7/T5
<i>DCFUS290D1/T2</i>	<i>D-20150-1</i>		
<i>DCFUS290D1/T3</i>	<i>D-20150-2</i>		
<i>DCFUS290D1/T4</i>	<i>D-20150-4</i>		
<i>DCFUS290D2/T2</i>	<i>D-20286-1</i>		DCFUS290D13/T2 DCFUS290D7/T2
<i>DCFUS290D2/T3</i>	<i>D-20286-2</i>		DCFUS290D13/T3 DCFUS290D7/T3
<i>DCFUS290D2/T4</i>	<i>D-20286-3</i>		DCFUS290D13/T4 DCFUS290D7/T4
<i>DCFUS290D2/T6</i>	<i>D-20286-4</i>		DCFUS290D13/T6 DCFUS290D7/T6
DCFUS310D3/T1	D-20423-2	Cessna C161032-0202	
<i>DCFUS290D4/T3</i>	<i>D-20520-2</i>		DCFUS290D13/T3 DCFUS290D7/T3
<i>DCFUS310D4/T5</i>	<i>D-20520-1</i>	Cessna C161032-0206	DCFUS310D13/T5
<i>DCFUS290D5/T3</i>	<i>D-20537-2</i>		
<i>DCFUS310D6/T1</i>	<i>D-20651-4</i>		DCFUS310D12/T1 DCFUS310D8/T1
<i>DCFUS290D6/T3</i>	<i>D-20651-2</i>		DCFUS310D12/T3 DCFUS290D8/T3
<i>DCFUS310D7/T1</i>	<i>D-20674-2</i>	Cessna C161031-0210	DCFUS310D13/T1
<i>DCFUS290D7/T2</i>	<i>D-20674-6</i>		DCFUS290D13/T2
<i>DCFUS290D7/T3</i>	<i>D-20674-3</i>		DCFUS290D13/T3
<i>DCFUS290D7/T4</i>	<i>D-20674-5</i>		DCFUS290D13/T4
<i>DCFUS310D7/T5</i>	<i>D-20674-1</i>	Cessna C161032-0210	DCFUS310D13/T5
<i>DCFUS290D7/T6</i>	<i>D-20674-4</i>		DCFUS290D13/T6
<i>DCFUS310D8/T1</i>	<i>D-20670-1</i>	Cessna C161032-0208	DCFUS310D12/T1
<i>DCFUS290D8/T3</i>	<i>D-20670-2</i>		DCFUS310D12/T3
DCFUS290D9/T3	D-20740-1		
DCFUS290D9/T6	D-20740-2		
DCFUS290D9/T7	D-20740-3		
DCFUS290D9/T8	D-20740-4		

Governor P/N

Model	P/N	OEM P/N	Replacement
DCFUS290D9/T9	D-20740-5		
DCFUS290D9/T10	D-20740-6		
DCFUS290D10/T8	D-20963-1		
DCFUS310D12/T1	D-20789-1	Cessna C161032-0208	
DCFUS290D12/T3	D-20789-2		
DCFUS310D13/T1	D-20775-4	Cessna C161031-0210	
DCFUS290D13/T2	D-20775-6		
DCFUS290D13/T3	D-20775-2		
DCFUS290D13/T4	D-20775-5		
DCFUS310D13/T5	D-20775-1	Cessna C161032-0210	
DCFUS290D13/T6	D-20775-3		
DCFTUS290D10/T7	D-20758-1	Cessna C161032-0308	
DCFTUS290D15/T7	D-20806-1	Cessna C161032-0307	
DCFTUS290D15/T8	D-20806-2		
ACCUMULATOR	D-20215B		
ACCUMULATOR	D-20215B-1		
ACCUMULATOR	D-20215-2		
ACCUMULATOR	D-20215-3		
ACCUMULATOR	<i>D-20230</i>		
ACCUMULATOR	D-20816		
MC-I Synch Box	<i>B-28000</i>		Ram Aircraft PMA P/N 1719-3
Bold = Active			
<i>Italics</i> = Obsolete			

Fixed Pitch Applications

Aircraft		T Y P E	Engine Model (Make)	Propeller Model			Diameter		McCauley	STC		static rpm	
Model				Climb	Standard	Cruise	max	min	Spinner	Number	Notes	max	min
AERO COMMANDER (Dynac Aerospace Corp, Christen Industries, Inc.)													
100-180 "Lark"			O-360-A2F (LY)		1A170/CFA7660		76.0	76.0	D-3875		1	2410	2310
100-180 "Lark"			O-360-MA-4-5 (LY)		1A170/CFA7660		76.0	76.0	D-3875		1	2410	2310
AERONCA (William J. Gores)													
65-C			A-65-3 (TCM)	1A90/CF7441	1A90/CF7443	1A90/CF7445	74.0	72.5			1	2250	2100
65-C			A-65-3J (TCM)	1A90/CF7441	1A90/CF7443	1A90/CF7445	74.0	72.5			1	2250	2100
65-C			A-65-6 (TCM)	1A90/CF7441	1A90/CF7443	1A90/CF7445	74.0	72.5			1	2250	2100
65-C			A-65-6J (TCM)	1A90/CF7441	1A90/CF7443	1A90/CF7445	74.0	72.5			1	2250	2100
65-C			A-65-7 (TCM)	1A90/CF7441	1A90/CF7443	1A90/CF7445	74.0	72.5			1	2250	2100
65-C			A-65-7J (TCM)	1A90/CF7441	1A90/CF7443	1A90/CF7445	74.0	72.5			1	2250	2100
65-C			A-65-8 (TCM)	1A90/CF7441	1A90/CF7443	1A90/CF7445	74.0	72.5			1	2250	2100
65-C			A-65-9 (TCM)	1A90/CF7441	1A90/CF7443	1A90/CF7445	74.0	72.5			1	2250	2100
65-C			A-65-9J (TCM)	1A90/CF7441	1A90/CF7443	1A90/CF7445	74.0	72.5			1	2250	2100
65-CA "ARMY L-3A"			A-65-7 (TCM)	1A90/CF7441	1A90/CF7443	1A90/CF7445	74.0	72.5			1	2250	2100
65-CA "ARMY L-3A"			A-65-7J (TCM)	1A90/CF7441	1A90/CF7443	1A90/CF7445	74.0	72.5			1	2250	2100
65-CA "ARMY L-3A"			A-65-8 (TCM)	1A90/CF7441	1A90/CF7443	1A90/CF7445	74.0	72.5			1	2250	2100
65-CA "ARMY L-3A"			A-65-8J (TCM)	1A90/CF7441	1A90/CF7443	1A90/CF7445	74.0	72.5			1	2250	2100
65-CA "ARMY L-3A"			A-65-9 (TCM)	1A90/CF7441	1A90/CF7443	1A90/CF7445	74.0	72.5			1	2250	2100
65-CA "ARMY L-3A"			A-65-9J (TCM)	1A90/CF7441	1A90/CF7443	1A90/CF7445	74.0	72.5			1	2250	2100
AERONCA (Burl A. Rogers)													
15AC "Sedan"			C-145-2 (TCM)	1A170/DM7647	1A170/DM7649	1A170/DM7653	76.0	74.0			1 2	2490	2240
15AC "Sedan"			O-300-A (TCM)	1A170/DM7647	1A170/DM7649	1A170/DM7653	76.0	74.0			1 2	2490	2240
15AC "Sedan"			6A4-150-B3 (FR)	1A170/DM7649	1A170/DM7652	1A170/DM7654	76.0	74.0			1 5	2450	2250
15AC "Sedan"			6A4-165-B3 (FR)		1A170/DM7647		76.0	74.0			1 4	2600	2400
15AC "Sedan"					1A170/SFC		80.0	73.0		SA02253AK Burl's Aircraft			
15AC "Sedan"					1A175/DM		80.0	73.0		SA02253AK Burl's Aircraft			

Fixed Pitch Applications

Aircraft		T Y P E	Engine Model (Make)	Propeller Model			Diameter		McCauley	STC	Notes	static rpm	
Model	Climb			Standard	Cruise	max	min	Spinner	Number	max		min	
15AC "Sedan"			O-360 (LY)	1A200/DFA8241	1A200/DFA8242	1A200/DFA8243	82.0			SA0302NW Burl's Aircraft			
S15AC "Sedan"	F		C-145-2 (TCM)	1A170/DM7643	1A170/DM7645		76.0	74.0			1 3	2540	2380
S15AC "Sedan"	F		O-300-A (TCM)	1A170/DM7643	1A170/DM7645		76.0	74.0			1 3	2540	2380
S15AC "Sedan"	F		6A4-150-B3 (FR)	1A170/DM7648	1A170/DM7649		76.0	74.0			1 5	2450	2250
S15AC "Sedan"			6A4-165-B3 (FR)		1A170/DM7647		76.0	74.0			1 4	2600	2400
S15AC "Sedan"					1A170/SFC		80.0	73.0		SA02253AK Burl's Aircraft			
S15AC "Sedan"					1A175/DM		80.0	73.0		SA02253AK Burl's Aircraft			
S15AC "Sedan"			O-360 (LY)	1A200/DFA8241	1A200/DFA8242	1A200/DFA8243	82.0			SA0302NW Burl's Aircraft			
AERONCA (National Aeronca Association)													
O-58B "ARMY L-3B, L-3C"			A-65-8 (TCM)	1A90/CF7441	1A90/CF7443	1A90/CF7445	74.0	72.5			1	2250	2100
SO-58B			A-65-8 (TCM)	1A90/CF7441	1A90/CF7443	1A90/CF7445	74.0	72.5			1	2250	2100
AMERICAN CHAMPION CORP (formerly Aeronca, Bellanca, and Champion)													
7AC "Champion"			A-65-8 (TCM)	1A90/CF7142	1A90/CF7144	1A90/CF7146	71.0	69.5			1	2250	2100
7AC "Champion"			A-65-8 (TCM)		1B90/CM7443		74.0	72.5			1	2250	2100
S7AC "Champion"	F		A-65-8 (TCM)	1A90/CF7142	1A90/CF7144	1A90/CF7146	71.0	69.5			1	2200	2100
7BCM "ARMY L-16A"			C85-8 (TCM)	1A90/CF7142	1A90/CF7144	1A90/CF7146	71.0	69.5			1	2450	2350
7BCM "ARMY L-16A"			C85-8 (TCM)	1B90/CM7142	1B90/CM7144	1B90/CM7146	71.0	69.5			1	2450	2200
7BCM "ARMY L-16A"			C85-8F (TCM)	1A90/CF7142	1A90/CF7144	1A90/CF7146	71.0	69.5			1	2450	2350
7BCM "ARMY L-16A"			C85-8F (TCM)	1B90/CM7142	1B90/CM7144	1B90/CM7146	71.0	69.5			1	2450	2200
7BCM "ARMY L-16A"			C85-8J (TCM)	1A90/CF7142	1A90/CF7144	1A90/CF7146	71.0	69.5			1	2450	2350
7BCM "ARMY L-16A"			C85-8J (TCM)	1B90/CM7142	1B90/CM7144	1B90/CM7146	71.0	69.5			1	2450	2200

Fixed Pitch Applications

Aircraft		T Y P E	Engine Model (Make)	Propeller Model			Diameter		McCauley	STC	Notes	static rpm	
Model	Climb			Standard	Cruise	max	min	Spinner	Number	max		min	
7BCM "ARMY L-16A"			C85-8FJ (TCM)	1A90/CF7142	1A90/CF7144	1A90/CF7146	71.0	69.5			1	2450	2350
7BCM "ARMY L-16A"			C85-8FJ (TCM)	1B90/CM7142	1B90/CM7144	1B90/CM7146	71.0	69.5			1	2450	2200
7CCM "ARMY L-16B"			C90-8F (TCM)	1B90/CM7341	1B90/CM7343	1B90/CM7345	73.0	71.5			1	2410	2150
7CCM "ARMY L-16B"			C90-8FJ (TCM)	1B90/CM7341	1B90/CM7343	1B90/CM7345	73.0	71.5			1	2410	2150
S7CCM "ARMY L-16B"		F	C90-8F (TCM)		1B90/CM7341	1B90/CM7343	73.0	71.5			1	2410	2150
S7CCM "ARMY L-16B"		F	C90-8FJ (TCM)		1B90/CM7341	1B90/CM7343	73.0	71.5			1	2410	2150
7DC "Champion"			C85-8 (TCM)	1A90/CF7142	1A90/CF7144	1A90/CF7146	71.0	69.5			1	2465	2300
7DC "Champion"			C85-8 (TCM)	1B90/CM7142	1B90/CM7144	1B90/CM7146	71.0	69.5			1	2450	2200
7DC "Champion"			C85-8F (TCM)	1A90/CF7142	1A90/CF7144	1A90/CF7146	71.0	69.5			1	2465	2300
7DC "Champion"			C85-8F (TCM)	1B90/CM7142	1B90/CM7144	1B90/CM7146	71.0	69.5			1	2450	2200
7DC "Champion"			C85-8J (TCM)	1A90/CF7142	1A90/CF7144	1A90/CF7146	71.0	69.5			1	2465	2300
7DC "Champion"			C85-8J (TCM)	1B90/CM7142	1B90/CM7144	1B90/CM7146	71.0	69.5			1	2450	2200
7DC "Champion"			C85-8FJ (TCM)	1A90/CF7142	1A90/CF7144	1A90/CF7146	71.0	69.5			1	2465	2300
7DC "Champion"			C85-8FJ (TCM)	1B90/CM7142	1B90/CM7144	1B90/CM7146	71.0	69.5			1	2450	2200
S7DC "Champion"		F	C85-8F (TCM)		1A90/CF7142	1A90/CF7144	71.0	69.5			1	2440	2290
7EC "Traveler"			C90-12F (TCM)	1B90/CM7343	1B90/CM7345		73.0	71.5			1	2350	2150
7EC "Traveler"			C90-12FJ (TCM)	1B90/CM7343	1B90/CM7345		73.0	71.5			1	2350	2150
S7EC "Traveler"		F	C90-12F (TCM)		1B90/CM7341	1B90/CM7343	73.0	71.5			1	2400	2300
S7EC "Traveler"		F	C90-12FJ (TCM)		1B90/CM7341	1B90/CM7343	73.0	71.5			1	2400	2300
7ECA "Citabria"			O-200-A (TCM)		1A100/ACM6948		69.0	67.5			1	2600	2400

Fixed Pitch Applications

Aircraft		T Y P E	Engine Model (Make)	Propeller Model			Diameter		McCauley	STC		static rpm	
Model	Climb			Standard	Cruise	max	min	Spinner	Number	Notes	max	min	
7ECA "Citabria"		O-235-C1 (LY)	1C90/ALM7243	1C90/ALM7246	1C90/ALM7250	72.0	70.5			1	2425	2225	
7ECA "Citabria"		O-235-C2C (LY)	1C90/CLM7243	1C90/CLM7246	1C90/CLM7250	72.0	70.5			1	2425	2225	
7FC "Tri Traveler"		C90-12F (TCM)	1B90/CM7343	1B90/CM7345		73.0	71.5			1	2350	2150	
7FC "Tri Traveler"		C90-12FJ (TCM)	1B90/CM7343	1B90/CM7345		73.0	71.5			1	2350	2150	
7GC "Sky Trac"		O-290-D2B (LY)	1A170/GM7448	1A170/GM7450	1A170/GM7455	74.0	72.5			1	2500	2300	
7GC "Sky Trac"		O-290-D2B (LY)		1A170/GM7645		76.0	74.5			1 12	2500	2300	
7GCA "Sky Trac"		O-320-A2B (LY)	1A170/GM7450	1A170/GM7452	1A170/GM7455	74.0	72.5			1	2610	2300	
7GCA "Sky Trac"		O-320-A2B (LY)		1A170/GM7646		76.0	74.5			1 12	2610	2300	
7GCAA "Citabria"		O-320-A2B (LY)	1C172/AGM7250	1C172/AGM7254	1C172/AGM7260	72.0	70.5			1	2640	2300	
7GCAA "Citabria"		O-320-A2D (LY)	1C172/AGM7250	1C172/AGM7254	1C172/AGM7260	72.0	70.5			1	2640	2300	
7GCAA "Citabria"		O-320-C2B (LY)	1C172/AGM7250	1C172/AGM7254	1C172/AGM7260	72.0	70.5			1	2640	2300	
7GCB "Challenger"		O-320-A2B (LY)	1A170/GM7448	1A170/GM7452	1A170/GM7455	74.0	72.5			1	2610	2300	
7GCB "Challenger"		O-320-A2B (LY)	1C172/MGM7456	1C172/MGM7458	1C172/MGM7460	74.0	72.5			1	2610	2300	
7GCBA "Challenger"		O-320-A2B (LY)	1A170/GM7448	1A170/GM7452	1A170/GM7455	74.0	72.5			1	2610	2300	
7GCBA "Challenger"		O-320-A2B (LY)	1C172/MGM7456	1C172/MGM7458	1C172/MGM7460	74.0	72.5			1 12	2610	2300	
7GCBC "Citabria"		O-235-C1 (LY)	1C90/ALM7243	1C90/ALM7246	1C90/ALM7250	72.0	70.5			1	2425	2225	
7GCBC "Citabria"		O-235-C1 (LY)	1C90/CLM7243	1C90/CLM7246	1C90/CLM7250	72.0	70.5			1	2425	2225	
7GCBC "Citabria"		O-235-C2C (LY)	1C90/ALM7243	1C90/ALM7246	1C90/ALM7250	72.0	70.5			1	2425	2225	
7GCBC "Citabria"		O-235-C2C (LY)	1C90/CLM7243	1C90/CLM7246	1C90/CLM7250	72.0	70.5			1	2425	2225	
7GCBC "Citabria"		O-320-A2B (LY)	1C172/AGM7250	1C172/AGM7254	1C172/AGM7260	72.0	70.5			1	2640	2300	

Fixed Pitch Applications

Aircraft		T Y P E	Engine Model (Make)	Propeller Model			Diameter		McCauley	STC		static rpm	
Model	Climb			Standard	Cruise	max	min	Spinner	Number	Notes	max	min	
7GCBC "Citabria"		O-320-A2D (LY)	1C172/AGM7250	1C172/AGM7254	1C172/AGM7260	72.0	70.5			1	2640	2300	
7GCBC "Citabria"		O-320-C2B (LY)	1C172/AGM7250	1C172/AGM7254	1C172/AGM7260	72.0	70.5			1	2640	2300	
S7GCBC "Citabria"	F	O-320-A2B (LY)		1C172/AGM7250	1C172/AGM7254	72.0	70.5			1 12	2550	2450	
S7GCBC "Citabria"	F	O-320-A2B (LY)		1C172/AGM7649		76.0	74.5			1 12	2550	2450	
S7GCBC "Citabria"	F	O-320-A2B (LY)		1A175/GMA8040		80.0	78.5			1 12	2560	2460	
S7GCBC "Citabria"	F	O-320-A2D (LY)		1C172/AGM7250	1C172/AGM7254	72.0	70.5			1 12	2550	2450	
S7GCBC "Citabria"	F	O-320-A2D (LY)		1C172/AGM7649		76.0	74.5			1 12	2550	2450	
S7GCBC "Citabria"	F	O-320-A2D (LY)		1A175/GMA8040		80.0	78.5			1 12	2560	2460	
S7GCBC "Citabria"	F	O-320-C2B (LY)		1C172/AGM7250	1C172/AGM7254	72.0	70.5			1 12	2550	2450	
S7GCBC "Citabria"	F	O-320-C2B (LY)		1C172/AGM7649		76.0	74.5			1 12	2550	2450	
S7GCBC "Citabria"	F	O-320-C2B (LY)		1A175/GMA8040		80.0	78.5			1 12	2560	2460	
7HC "DX'er"		O-290-D2B (LY)	1A170/GM7448	1A170/GM7450	1A170/GM7455	74.0	72.5			1	2500	2300	
7HC "DX'er"		O-290-D2B (LY)		1A170/GM7645		76.0	74.5			1 12	2500	2300	
7JC "Tri-Con"		C90-12F (TCM)	1B90/CM7343	1B90/CM7345		73.0	71.5			1	2350	2150	
7KC "Olympia"		O-320-A2B (LY)	1A170/GM7448	1A170/GM7452	1A170/GM7455	74.0	72.5			1	2600	2125	
7KC "Olympia"		O-320-A2B (LY)	1C172/MGM7456	1C172/MGM7458	1C172/MGM7465	74.0	72.5			1	2600	2125	
7KCAB "Citabria"		IO-320-E2A (LY)	1C172/AGM7250	1C172/AGM7254	1C172/AGM7260	72.0	70.5			1 15	2540	2300	
7KCAB "Citabria"		IO-320-E2B (LY)	1C172/AGM7250	1C172/AGM7254	1C172/AGM7260	72.0	70.5			1 15	2540	2300	
7KCAB "Citabria"		AEIO-320-E2B (LY)	1C172/AGM7250	1C172/AGM7254	1C172/AGM7260	72.0	70.5			1 15	2540	2300	
8GCBC "Scout"		O-360-C1A (LY)		1A200/HFA8041		80.0	79.0			1 9	2350	2100	

Fixed Pitch Applications

Aircraft		T Y P E	Engine Model (Make)	Climb	Propeller Model			Diameter		McCauley	STC		static rpm	
Model	Standard				Cruise	max	min	Spinner	Number	Notes	max	min		
8GCBC "Scout"		F	O-360-C1A (LY)		1A200/HFA8040		80.0	79.0			1 9 12	2400	2260	
8GCBC "Scout"			O-360-C1E (LY)		1A200/HFA8041		80.0	79.0			1 9	2350	2100	
8GCBC "Scout"		F	O-360-C1E (LY)		1A200/HFA8040		80.0	79.0			1 9 12	2400	2260	
8GCBC "Scout"			O-360-C1G (LY)		1A200/HFA8041		80.0	79.0			1,9	2350	2100	
8GCBC "Scout"		F	O-360-C1G (LY)		1A200/HFA8040		80.0	79.0			1 9 12	2400	2260	
8GCBC "Scout"			O-360-C2A (LY)		1A200/HFA8041		80.0	79.0			1 9	2350	2100	
8GCBC "Scout"		F	O-360-C2A (LY)		1A200/HFA8040		80.0	79.0			1 9 12	2400	2260	
8GCBC "Scout"			O-360-C2E (LY)		1A200/HFA8041		80.0	79.0			1 9	2350	2100	
8GCBC "Scout"		F	O-360-C2E (LY)		1A200/HFA8040		80.0	79.0			1 9 12	2400	2260	
11AC "Chief"			A-65-8 (TCM)	1A90/CF7443	1A90/CF7445	1A90/CF7447	74.0	72.5			1	2250	2100	
S11AC "Chief"		F	A-65-8F (TCM)		1A90/CF7443	1A90/CF7445	74.0	72.0			1	2170	2070	
11BC "Chief"			C85-8F (TCM)	1A90/CF7146	1A90/CF7148	1A90/CF7150	71.0	69.5			1	2380	2160	
S11BC "Chief"		F	C85-8F (TCM)		1A90/CF7144	1A90/CF7146	71.0	69.5			1	2380	2280	
11CC "Super Chief"			C85-8F (TCM)	1A90/CF7142	1A90/CF7144	1A90/CF7146	71.0	69.5			1	2465	2300	
S11CC "Super Chief"		F	C85-8F (TCM)	1A90/CF7142	1A90/CF7144	1A90/CF7146	71.0	69.5			1	2465	2300	
402 "Lancer"			O-200-A (TCM)		1A100/MCM6948		69.0	67.5			11	2450	2550	
402 "Lancer"			O-200-A (TCM)		1A100/MCM6953		69.0	67.5				2360	2260	

AMERICAN LEGEND AIRCRAFT COMPANY

Fixed Pitch Applications

Aircraft		TYPE	Propeller Model			Diameter		McCauley	STC		static rpm	
Model	Engine Model (Make)		Climb	Standard	Cruise	max	min	Spinner	Number	Notes	max	min
AL3C-100 "Legend Cub"	O-200-A (TCM)	A F L S	1A90/CF7535		1A90/CF7538	75.0	73.5				2600	2500
AL11C-100 "Legend Cub"	O-200-A (TCM)	A F L S	1A90/CF7535		1A90/CF7538	75.0	73.5				2600	2500
BEAGLE (British Aerospace, Aircraft Group)												
B.121 Series 1 "Pup 100"	O-200-A (TCM)			1A105/SCM7053		70.0	68.5				2400	2300
BEECH (Raytheon Aircraft Company)												
A23-24 "Musketeeer Super III"	IO-360-A2B (LY)			1B235/BFA7862		78.0	76.5				2350	2250
A23-24 "Musketeeer Super III"	IO-360-A2D (LY)			1B235/BFA7862		78.0	76.5				2350	2250
A24 "Super"	IO-360-A2B (LY)			1B235/BFA7862		78.0	76.5				2350	2250
A24 "Super"	IO-360-A2D (LY)			1B235/BFA7862		78.0	76.5				2350	2250
Biemond, C.												
TEAL CB1	C85-12J (TCM)			1A105/SCM7151		71.0	67.0			1	2430	2330
BÖLKOW (DaimlerChrysler Aerospace AG)												
JUNIOR	O-200-A (TCM)			1A100/MCM6758		67.0	67.0				2400	2300
BO-209-150 FF	O-320-E2C (LY)			1C172/MGM70.560	1C172/MGM70.566	70.5	70.0			16	2400	2100
BO-209-150 FF	O-320-E2F (LY)			1C172/MGM70.560	1C172/MGM70.566	70.5	70.0			16	2400	2100
CALLAIR (Aircraft Parts & Development Corp.)												
A-2	O-290-A (LY)			1A170/LL7649		76.0	74.5			1	2350	2100
A-2	O-290-B (LY)			1A170/LL7649		76.0	74.5			1	2350	2100
A-2	O-290-C (LY)			1A170/LL7649		76.0	74.5			1	2350	2100
A-6	O-360-A1A (LY)	1A200/FA8242	1A200/FA8244	1A200/FA8246	82.0	80.0				1	2310	2210
A-6	O-360-C1A (LY)	1A200/FA8242	1A200/FA8244	1A200/FA8246	82.0	80.0				1	2310	2210
A-9 "Sparrow Commander"	O-540-B2B5 (LY)			1A200/FA8452		84.0	82.0			1 6	2350	2250
A-9 "Sparrow Commander"	O-540-B2B5 (LY)	1P235/PFA8454	1P235/PFA8458			84.0	82.0	C-3245		1 7	2400	2250
A-9 "Sparrow Commander"	O-540-B2B5 (LY)			1A200/DFA9043		90.0	84.0	D-3328		1	2400	2325
A-9A "Sparrow Commander"	O-540-B2B5 (LY)	1P235/PFA8454	1P235/PFA8458			84.0	82.0			1	2400	2250

Fixed Pitch Applications

Aircraft		T Y P E	Engine Model (Make)	Propeller Model			Diameter		McCauley	STC		static rpm	
Model	Climb			Standard	Cruise	max	min	Spinner	Number	Notes	max	min	
A-9A "Sparrow Commander"			O-540-B2B5 (LY)		1A200/DFA9043		90.0	84.0			1	2400	2300
A-9B "Quail Commander"			IO-540-G1C5 (LY)		1A200/DFA9050		90.0	88.0	D-3328		1 8	2400	2250
A-9B "Quail Commander"			IO-540-K1A5 (LY)		1A200/DFA9050		90.0	88.0	D-3328		1 8	2400	2250
CESSNA													
120			C85-12 (TCM)	1A90/CF7146	1A90/CF7148	1A90/CF7150	71.0	69.5			1	2300	2100
120			C85-12 (TCM)	1A90/CH7146	1A90/CH7148	1A90/CH7150	71.0	69.5			1 16	2300	2100
120			C85-12 (TCM)	1B90/CM7146	1B90/CM7148	1B90/CM7150	71.0	69.5			1	2300	2100
120		F	C85-12 (TCM)		1A90/CF7144		71.0	69.5			1	2225	2200
120		F	C85-12 (TCM)		1A90/CH7144		71.0	69.5			1 16	2225	2200
120		F	C85-12 (TCM)		1B90/CM7144		71.0	69.5			1	2225	2200
120			C85-12F (TCM)	1A90/CF7146	1A90/CF7148	1A90/CF7150	71.0	69.5			1	2300	2100
120			C85-12F (TCM)	1A90/CH7146	1A90/CH7148	1A90/CH7150	71.0	69.5			1 16	2300	2100
120			C85-12F (TCM)	1B90/CM7146	1B90/CM7148	1B90/CM7150	71.0	69.5			1	2300	2100
120		F	C85-12F (TCM)		1A90/CF7144		71.0	69.5			1	2225	2200
120		F	C85-12F (TCM)		1A90/CH7144		71.0	69.5			1 16	2225	2200
120		F	C85-12F (TCM)		1B90/CM7144		71.0	69.5			1	2225	2200
120			C85-14F (TCM)	1A90/CF7146	1A90/CF7148	1A90/CF7150	71.0	69.5			1	2300	2100
120			C85-14F (TCM)	1A90/CH7146	1A90/CH7148	1A90/CH7150	71.0	69.5			1 16	2300	2100
120			C85-14F (TCM)	1B90/CM7146	1B90/CM7148	1B90/CM7150	71.0	69.5			1	2300	2100
120		F	C85-14F (TCM)		1A90/CF7144		71.0	69.5			1	2225	2200
120		F	C85-14F (TCM)		1A90/CH7144		71.0	69.5			1 16	2225	2200
120		F	C85-14F (TCM)		1B90/CM7144		71.0	69.5			1	2225	2200
120			C90-12F (TCM)	1A90/CF7150	1A90/CF7152	1A90/CF7154	71.0	69.5			1	2350	2050
120			C90-12F (TCM)	1A90/CH7150	1A90/CH7152	1A90/CH7154	71.0	69.5			1 16	2350	2050
120			C90-12F (TCM)	1B90/CM7150	1B90/CM7152	1B90/CM7154	71.0	69.5			1	2350	2050
120		F	C90-12F (TCM)		1A90/CF7343		73.0	69.5			1	2350	2150
120		F	C90-12F (TCM)		1A90/CH7343		73.0	69.5			1 16	2350	2150
120		F	C90-12F (TCM)		1B90/CM7343		73.0	69.5			1	2350	2150
120			C90-14F (TCM)	1A90/CF7150	1A90/CF7152	1A90/CF7154	71.0	69.5			1	2350	2050

Fixed Pitch Applications

Aircraft		T Y P E	Engine Model (Make)	Propeller Model			Diameter		McCauley	STC		static rpm	
Model	Climb			Standard	Cruise	max	min	Spinner	Number	Notes	max	min	
120			C90-14F (TCM)	1A90/CH7150	1A90/CH7152	1A90/CH7154	71.0	69.5			1 16	2350	2050
120			C90-14F (TCM)	1B90/CM7150	1B90/CM7152	1B90/CM7154	71.0	69.5			1	2350	2050
120		F	C90-14F (TCM)		1A90/CF7343		73.0	69.5			1	2350	2150
120		F	C90-14F (TCM)		1A90/CH7343		73.0	69.5			1 16	2350	2150
120		F	C90-14F (TCM)		1B90/CM7343		73.0	69.5			1	2350	2150
140			C85-12 (TCM)	1A90/CF7146	1A90/CF7148	1A90/CF7150	71.0	69.5			1	2300	2100
140			C85-12 (TCM)	1A90/CH7146	1A90/CH7148	1A90/CH7150	71.0	69.5			1 16	2300	2100
140			C85-12 (TCM)	1B90/CM7146	1B90/CM7148	1B90/CM7150	71.0	69.5			1	2300	2100
140		F	C85-12 (TCM)		1A90/CF7144		71.0	69.5			1	2225	2200
140		F	C85-12 (TCM)		1A90/CH7144		71.0	69.5			1 16	2225	2200
140		F	C85-12 (TCM)		1B90/CM7144		71.0	69.5			1	2225	2200
140			C85-12F (TCM)	1A90/CF7146	1A90/CF7148	1A90/CF7150	71.0	69.5			1	2300	2100
140			C85-12F (TCM)	1A90/CH7146	1A90/CH7148	1A90/CH7150	71.0	69.5			1 16	2300	2100
140			C85-12F (TCM)	1B90/CM7146	1B90/CM7148	1B90/CM7150	71.0	69.5			1	2300	2100
140		F	C85-12F (TCM)		1A90/CF7144		71.0	69.5			1	2225	2200
140		F	C85-12F (TCM)		1A90/CH7144		71.0	69.5			1 16	2225	2200
140		F	C85-12F (TCM)		1B90/CM7144		71.0	69.5			1	2225	2200
140			C85-14F (TCM)	1A90/CF7146	1A90/CF7148	1A90/CF7150	71.0	69.5			1	2300	2100
140			C85-14F (TCM)	1A90/CH7146	1A90/CH7148	1A90/CH7150	71.0	69.5			1 16	2300	2100
140			C85-14F (TCM)	1B90/CM7146	1B90/CM7148	1B90/CM7150	71.0	69.5			1	2300	2100
140		F	C85-14F (TCM)		1A90/CF7144		71.0	69.5			1	2225	2200
140		F	C85-14F (TCM)		1A90/CH7144		71.0	69.5			1 16	2225	2200
140		F	C85-14F (TCM)		1B90/CM7144		71.0	69.5			1	2225	2200
140			C90-12F (TCM)	1A90/CF7150	1A90/CF7152	1A90/CF7154	71.0	69.5			1	2350	2050
140			C90-12F (TCM)	1A90/CH7150	1A90/CH7152	1A90/CH7154	71.0	69.5			1 16	2350	2050
140			C90-12F (TCM)	1B90/CM7150	1B90/CM7152	1B90/CM7154	71.0	69.5			1	2350	2050
140		F	C90-12F (TCM)		1A90/CF7343		73.0	69.5			1	2350	2150
140		F	C90-12F (TCM)		1A90/CH7343		73.0	69.5			1 16	2350	2150
140		F	C90-12F (TCM)		1B90/CM7343		73.0	69.5			1	2350	2150
140			C90-14F (TCM)	1A90/CF7150	1A90/CF7152	1A90/CF7154	71.0	69.5			1	2350	2050

Fixed Pitch Applications

Aircraft		T Y P E	Engine Model (Make)	Propeller Model			Diameter		McCauley	STC	Notes	static rpm	
Model	Climb			Standard	Cruise	max	min	Spinner	Number	max		min	
140			C90-14F (TCM)	1A90/CH7150	1A90/CH7152	1A90/CH7154	71.0	69.5			1 16	2350	2050
140			C90-14F (TCM)	1B90/CM7150	1B90/CM7152	1B90/CM7154	71.0	69.5			1	2350	2050
140		F	C90-14F (TCM)		1A90/CF7343		73.0	69.5			1	2350	2150
140		F	C90-14F (TCM)		1A90/CH7343		73.0	69.5			1 16	2350	2150
140		F	C90-14F (TCM)		1B90/CM7343		73.0	69.5			1	2350	2150
140A			C85-12 (TCM)	1A90/CF7146	1A90/CF7148	1A90/CF7150	71.0	69.5			1	2350	2050
140A			C85-12 (TCM)	1A90/CH7146	1A90/CH7148	1A90/CH7150	71.0	69.5			1 16	2350	2050
140A			C85-12 (TCM)	1B90/CM7146	1B90/CM7148	1B90/CM7150	71.0	69.5			1	2350	2050
140A			C85-12F (TCM)	1A90/CF7146	1A90/CF7148	1A90/CF7150	71.0	69.5			1	2350	2050
140A			C85-12F (TCM)	1A90/CH7146	1A90/CH7148	1A90/CH7150	71.0	69.5			1 16	2350	2050
140A			C85-12F (TCM)	1B90/CM7146	1B90/CM7148	1B90/CM7150	71.0	69.5			1	2350	2050
140A			C85-14F (TCM)	1A90/CF7146	1A90/CF7148	1A90/CF7150	71.0	69.5			1	2350	2050
140A			C85-14F (TCM)	1A90/CH7146	1A90/CH7148	1A90/CH7150	71.0	69.5			1 16	2350	2050
140A			C85-14F (TCM)	1B90/CM7146	1B90/CM7148	1B90/CM7150	71.0	69.5			1	2350	2050
140A			C90-12F (TCM)	1A90/CF7150	1A90/CF7152	1A90/CF7154	71.0	69.5			1	2350	2000
140A			C90-12F (TCM)	1A90/CH7150	1A90/CH7152	1A90/CH7154	71.0	69.5			1 16	2350	2000
140A			C90-12F (TCM)	1B90/CM7150	1B90/CM7152	1B90/CM7154	71.0	69.5			1	2350	2000
140A		F	C90-12F (TCM)		1A90/CF7343		73.0	69.5			1	2350	2150
140A		F	C90-12F (TCM)		1A90/CH7343		73.0	69.5			1 16	2350	2150
140A		F	C90-12F (TCM)		1B90/CM7343		73.0	69.5			1	2350	2150
140A			C90-14F (TCM)	1A90/CF7150	1A90/CF7152	1A90/CF7154	71.0	69.5			1	2350	2000
140A			C90-14F (TCM)	1A90/CH7150	1A90/CH7152	1A90/CH7154	71.0	69.5			1 16	2350	2000
140A			C90-14F (TCM)	1B90/CM7150	1B90/CM7152	1B90/CM7154	71.0	69.5			1	2350	2000
140A		F	C90-14F (TCM)		1A90/CF7343		73.0	69.5			1	2350	2150
140A		F	C90-14F (TCM)		1A90/CH7343		73.0	69.5			1 16	2350	2150
140A		F	C90-14F (TCM)		1B90/CM7343		73.0	69.5			1	2350	2150
150			O-200-A (TCM)		1A100/MCM6950		69.0	67.5			1	2475	2375
150			O-200-A (TCM)		1A101/DCM6950		69.0	67.5			1	2600	2500
150			O-320-A1A (LY)		1C172/TM		74.0	72.5		SA572CE Williams	1	2250	2150

Fixed Pitch Applications

Aircraft		T Y P E	Engine Model (Make)	Climb	Propeller Model			Diameter		McCauley	STC	Notes	static rpm	
Model	Standard				Cruise	max	min	Spinner	Number	max	min			
150		O-320-B1A (LY)		1C172/TM			74.0	72.5		SA572CE Williams	1	2250	2150	
150		O-320-B1B (LY)		1C172/TM			74.0	72.5		SA572CE Williams	1	2250	2150	
150		O-320-B2A (LY)		1C172/TM			74.0	72.5		SA572CE Williams	1	2250	2150	
150		O-320-B2B (LY)		1C172/TM			74.0	72.5		SA572CE Williams	1	2250	2150	
150		O-320-B2C (LY)		1C172/TM			74.0	72.5		SA572CE Williams	1	2250	2150	
150		O-320-B3A (LY)		1C172/TM			74.0	72.5		SA572CE Williams	1	2250	2150	
150		O-320-B3B (LY)		1C172/TM			74.0	72.5		SA572CE Williams	1	2250	2150	
150		O-320-B3C (LY)		1C172/TM			74.0	72.5		SA572CE Williams	1	2250	2150	
150		O-320-C2B (LY)		1C172/TM			74.0	72.5		SA572CE Williams	1	2250	2150	
150		O-320-D1A (LY)		1C172/TM			74.0	72.5		SA572CE Williams	1	2250	2150	
150		O-320-D1B (LY)		1C172/TM			74.0	72.5		SA572CE Williams	1	2250	2150	
150		O-320-D2A (LY)		1C172/TM			74.0	72.5		SA572CE Williams	1	2250	2150	
150		O-320-D2B (LY)		1C172/TM			74.0	72.5		SA572CE Williams	1	2250	2150	
150		O-320-D2G (LY)		1C172/TM			74.0	72.5		SA572CE Williams	1	2250	2150	
150		O-320-D3G (LY)		1C172/TM			74.0	72.5		SA572CE Williams	1	2250	2150	
150		O-320-E2A (LY)		1C172/TM			74.0	72.5		SA572CE Williams	1	2250	2150	
150		O-320-E2C (LY)		1C172/TM			74.0	72.5		SA572CE Williams	1	2250	2150	
150		O-320-E2D (LY)		1C172/TM			74.0	72.5		SA572CE Williams	1	2250	2150	
150A		O-200-A (TCM)		1A100/MCM6950			69.0	67.5			1	2475	2375	
150A		O-200-A (TCM)		1A101/DCM6950			69.0	67.5			1	2600	2500	
150A		O-320-A1A (LY)		1C172/TM			74.0	72.5		SA572CE Williams	1	2250	2150	

Fixed Pitch Applications

Aircraft		TYPE	Engine Model (Make)	Climb	Propeller Model			Diameter		McCauley	STC	Notes	static rpm	
Model	Standard				Cruise	max	min	Spinner	Number	max	min			
150A		O-320-B1A (LY)		1C172/TM			74.0	72.5		SA572CE Williams	1	2250	2150	
150A		O-320-B1B (LY)		1C172/TM			74.0	72.5		SA572CE Williams	1	2250	2150	
150A		O-320-B2A (LY)		1C172/TM			74.0	72.5		SA572CE Williams	1	2250	2150	
150A		O-320-B2B (LY)		1C172/TM			74.0	72.5		SA572CE Williams	1	2250	2150	
150A		O-320-B2C (LY)		1C172/TM			74.0	72.5		SA572CE Williams	1	2250	2150	
150A		O-320-B3A (LY)		1C172/TM			74.0	72.5		SA572CE Williams	1	2250	2150	
150A		O-320-B3B (LY)		1C172/TM			74.0	72.5		SA572CE Williams	1	2250	2150	
150A		O-320-B3C (LY)		1C172/TM			74.0	72.5		SA572CE Williams	1	2250	2150	
150A		O-320-C2B (LY)		1C172/TM			74.0	72.5		SA572CE Williams	1	2250	2150	
150A		O-320-D1A (LY)		1C172/TM			74.0	72.5		SA572CE Williams	1	2250	2150	
150A		O-320-D1B (LY)		1C172/TM			74.0	72.5		SA572CE Williams	1	2250	2150	
150A		O-320-D2A (LY)		1C172/TM			74.0	72.5		SA572CE Williams	1	2250	2150	
150A		O-320-D2B (LY)		1C172/TM			74.0	72.5		SA572CE Williams	1	2250	2150	
150A		O-320-D2G (LY)		1C172/TM			74.0	72.5		SA572CE Williams	1	2250	2150	
150A		O-320-D3G (LY)		1C172/TM			74.0	72.5		SA572CE Williams	1	2250	2150	
150A		O-320-E2A (LY)		1C172/TM			74.0	72.5		SA572CE Williams	1	2250	2150	
150A		O-320-E2C (LY)		1C172/TM			74.0	72.5		SA572CE Williams	1	2250	2150	
150A		O-320-E2D (LY)		1C172/TM			74.0	72.5		SA572CE Williams	1	2250	2150	
150B		O-200-A (TCM)		1A100/MCM6950			69.0	67.5			1	2475	2375	
150B		O-200-A (TCM)		1A101/DCM6950			69.0	67.5			1	2600	2500	
150B		O-320-A1A (LY)		1C172/TM			74.0	72.5		SA572CE Williams	1	2250	2150	

Fixed Pitch Applications

Aircraft		T Y P E	Engine Model (Make)	Climb	Propeller Model		Diameter		McCauley	STC	Notes	static rpm	
Model	Standard				Cruise	max	min	Spinner	Number	max		min	
150B		O-320-B1A (LY)		1C172/TM			74.0	72.5		SA572CE Williams	1	2250	2150
150B		O-320-B1B (LY)		1C172/TM			74.0	72.5		SA572CE Williams	1	2250	2150
150B		O-320-B2A (LY)		1C172/TM			74.0	72.5		SA572CE Williams	1	2250	2150
150B		O-320-B2B (LY)		1C172/TM			74.0	72.5		SA572CE Williams	1	2250	2150
150B		O-320-B2C (LY)		1C172/TM			74.0	72.5		SA572CE Williams	1	2250	2150
150B		O-320-B3A (LY)		1C172/TM			74.0	72.5		SA572CE Williams	1	2250	2150
150B		O-320-B3B (LY)		1C172/TM			74.0	72.5		SA572CE Williams	1	2250	2150
150B		O-320-B3C (LY)		1C172/TM			74.0	72.5		SA572CE Williams	1	2250	2150
150B		O-320-C2B (LY)		1C172/TM			74.0	72.5		SA572CE Williams	1	2250	2150
150B		O-320-D1A (LY)		1C172/TM			74.0	72.5		SA572CE Williams	1	2250	2150
150B		O-320-D1B (LY)		1C172/TM			74.0	72.5		SA572CE Williams	1	2250	2150
150B		O-320-D2A (LY)		1C172/TM			74.0	72.5		SA572CE Williams	1	2250	2150
150B		O-320-D2B (LY)		1C172/TM			74.0	72.5		SA572CE Williams	1	2250	2150
150B		O-320-D2G (LY)		1C172/TM			74.0	72.5		SA572CE Williams	1	2250	2150
150B		O-320-D3G (LY)		1C172/TM			74.0	72.5		SA572CE Williams	1	2250	2150
150B		O-320-E2A (LY)		1C172/TM			74.0	72.5		SA572CE Williams	1	2250	2150
150B		O-320-E2C (LY)		1C172/TM			74.0	72.5		SA572CE Williams	1	2250	2150
150B		O-320-E2D (LY)		1C172/TM			74.0	72.5		SA572CE Williams	1	2250	2150
150C		O-200-A (TCM)		1A100/MCM6950			69.0	67.5			1	2475	2375
150C		O-200-A (TCM)		1A101/DCM6950			69.0	67.5			1	2600	2500
150C		O-320-A1A (LY)		1C172/TM			74.0	72.5		SA572CE Williams	1	2250	2150

Fixed Pitch Applications

Aircraft		TYPE	Engine Model (Make)	Climb	Propeller Model			Diameter		McCauley	STC	Notes	static rpm	
Model	Standard				Cruise	max	min	Spinner	Number	max	min			
150C		O-320-B1A (LY)		1C172/TM			74.0	72.5		SA572CE Williams	1	2250	2150	
150C		O-320-B1B (LY)		1C172/TM			74.0	72.5		SA572CE Williams	1	2250	2150	
150C		O-320-B2A (LY)		1C172/TM			74.0	72.5		SA572CE Williams	1	2250	2150	
150C		O-320-B2B (LY)		1C172/TM			74.0	72.5		SA572CE Williams	1	2250	2150	
150C		O-320-B2C (LY)		1C172/TM			74.0	72.5		SA572CE Williams	1	2250	2150	
150C		O-320-B3A (LY)		1C172/TM			74.0	72.5		SA572CE Williams	1	2250	2150	
150C		O-320-B3B (LY)		1C172/TM			74.0	72.5		SA572CE Williams	1	2250	2150	
150C		O-320-B3C (LY)		1C172/TM			74.0	72.5		SA572CE Williams	1	2250	2150	
150C		O-320-C2B (LY)		1C172/TM			74.0	72.5		SA572CE Williams	1	2250	2150	
150C		O-320-D1A (LY)		1C172/TM			74.0	72.5		SA572CE Williams	1	2250	2150	
150C		O-320-D1B (LY)		1C172/TM			74.0	72.5		SA572CE Williams	1	2250	2150	
150C		O-320-D2A (LY)		1C172/TM			74.0	72.5		SA572CE Williams	1	2250	2150	
150C		O-320-D2B (LY)		1C172/TM			74.0	72.5		SA572CE Williams	1	2250	2150	
150C		O-320-D2G (LY)		1C172/TM			74.0	72.5		SA572CE Williams	1	2250	2150	
150C		O-320-D3G (LY)		1C172/TM			74.0	72.5		SA572CE Williams	1	2250	2150	
150C		O-320-E2A (LY)		1C172/TM			74.0	72.5		SA572CE Williams	1	2250	2150	
150C		O-320-E2C (LY)		1C172/TM			74.0	72.5		SA572CE Williams	1	2250	2150	
150C		O-320-E2D (LY)		1C172/TM			74.0	72.5		SA572CE Williams	1	2250	2150	
150D		O-200-A (TCM)		1A100/MCM6950			69.0	67.5			1	2475	2375	
150D		O-200-A (TCM)		1A101/DCM6950			69.0	67.5			1	2600	2500	
150D		O-320-A1A (LY)		1C172/TM			74.0	72.5		SA572CE Williams	1	2250	2150	

Fixed Pitch Applications

Aircraft		T Y P E	Engine Model (Make)	Climb	Propeller Model			Diameter		McCauley	STC	Notes	static rpm	
Model	Standard				Cruise	max	min	Spinner	Number	max	min			
150D		O-320-B1A (LY)		1C172/TM			74.0	72.5		SA572CE Williams	1	2250	2150	
150D		O-320-B1B (LY)		1C172/TM			74.0	72.5		SA572CE Williams	1	2250	2150	
150D		O-320-B2A (LY)		1C172/TM			74.0	72.5		SA572CE Williams	1	2250	2150	
150D		O-320-B2B (LY)		1C172/TM			74.0	72.5		SA572CE Williams	1	2250	2150	
150D		O-320-B2C (LY)		1C172/TM			74.0	72.5		SA572CE Williams	1	2250	2150	
150D		O-320-B3A (LY)		1C172/TM			74.0	72.5		SA572CE Williams	1	2250	2150	
150D		O-320-B3B (LY)		1C172/TM			74.0	72.5		SA572CE Williams	1	2250	2150	
150D		O-320-B3C (LY)		1C172/TM			74.0	72.5		SA572CE Williams	1	2250	2150	
150D		O-320-C2B (LY)		1C172/TM			74.0	72.5		SA572CE Williams	1	2250	2150	
150D		O-320-D1A (LY)		1C172/TM			74.0	72.5		SA572CE Williams	1	2250	2150	
150D		O-320-D1B (LY)		1C172/TM			74.0	72.5		SA572CE Williams	1	2250	2150	
150D		O-320-D2A (LY)		1C172/TM			74.0	72.5		SA572CE Williams	1	2250	2150	
150D		O-320-D2B (LY)		1C172/TM			74.0	72.5		SA572CE Williams	1	2250	2150	
150D		O-320-D2G (LY)		1C172/TM			74.0	72.5		SA572CE Williams	1	2250	2150	
150D		O-320-D3G (LY)		1C172/TM			74.0	72.5		SA572CE Williams	1	2250	2150	
150D		O-320-E2A (LY)		1C172/TM			74.0	72.5		SA572CE Williams	1	2250	2150	
150D		O-320-E2C (LY)		1C172/TM			74.0	72.5		SA572CE Williams	1	2250	2150	
150D		O-320-E2D (LY)		1C172/TM			74.0	72.5		SA572CE Williams	1	2250	2150	
150E		O-200-A (TCM)		1A100/MCM6950			69.0	67.5			1	2475	2375	
150E		O-200-A (TCM)		1A101/DCM6950			69.0	67.5			1	2600	2500	
150E		O-320-A1A (LY)		1C172/TM			74.0	72.5		SA572CE Williams	1	2250	2150	

Fixed Pitch Applications

Aircraft		T Y P E	Engine Model (Make)	Climb	Propeller Model			Diameter		McCauley	STC		static rpm	
Model	Standard				Cruise	max	min	Spinner	Number	Notes	max	min		
150E		O-320-B1A (LY)		1C172/TM			74.0	72.5		SA572CE Williams	1	2250	2150	
150E		O-320-B1B (LY)		1C172/TM			74.0	72.5		SA572CE Williams	1	2250	2150	
150E		O-320-B2A (LY)		1C172/TM			74.0	72.5		SA572CE Williams	1	2250	2150	
150E		O-320-B2B (LY)		1C172/TM			74.0	72.5		SA572CE Williams	1	2250	2150	
150E		O-320-B2C (LY)		1C172/TM			74.0	72.5		SA572CE Williams	1	2250	2150	
150E		O-320-B3A (LY)		1C172/TM			74.0	72.5		SA572CE Williams	1	2250	2150	
150E		O-320-B3B (LY)		1C172/TM			74.0	72.5		SA572CE Williams	1	2250	2150	
150E		O-320-B3C (LY)		1C172/TM			74.0	72.5		SA572CE Williams	1	2250	2150	
150E		O-320-C2B (LY)		1C172/TM			74.0	72.5		SA572CE Williams	1	2250	2150	
150E		O-320-D1A (LY)		1C172/TM			74.0	72.5		SA572CE Williams	1	2250	2150	
150E		O-320-D1B (LY)		1C172/TM			74.0	72.5		SA572CE Williams	1	2250	2150	
150E		O-320-D2A (LY)		1C172/TM			74.0	72.5		SA572CE Williams	1	2250	2150	
150E		O-320-D2B (LY)		1C172/TM			74.0	72.5		SA572CE Williams	1	2250	2150	
150E		O-320-D2G (LY)		1C172/TM			74.0	72.5		SA572CE Williams	1	2250	2150	
150E		O-320-D3G (LY)		1C172/TM			74.0	72.5		SA572CE Williams	1	2250	2150	
150E		O-320-E2A (LY)		1C172/TM			74.0	72.5		SA572CE Williams	1	2250	2150	
150E		O-320-E2C (LY)		1C172/TM			74.0	72.5		SA572CE Williams	1	2250	2150	
150E		O-320-E2D (LY)		1C172/TM			74.0	72.5		SA572CE Williams	1	2250	2150	
150F		O-200-A (TCM)		1A100/MCM6950			69.0	67.5			1	2475	2375	
150F		O-200-A (TCM)		1A101/DCM6950			69.0	67.5			1	2600	2500	
150F		O-320-A1A (LY)		1C172/TM			74.0	72.5		SA572CE Williams	1	2250	2150	

Fixed Pitch Applications

Aircraft		T Y P E	Engine Model (Make)	Propeller Model			Diameter		McCauley	STC	Notes	static rpm	
Model	Climb			Standard	Cruise	max	min	Spinner	Number	max		min	
150F			O-320-B1A (LY)		1C172/TM		74.0	72.5		SA572CE Williams	1	2250	2150
150F			O-320-B1B (LY)		1C172/TM		74.0	72.5		SA572CE Williams	1	2250	2150
150F			O-320-B2A (LY)		1C172/TM		74.0	72.5		SA572CE Williams	1	2250	2150
150F			O-320-B2B (LY)		1C172/TM		74.0	72.5		SA572CE Williams	1	2250	2150
150F			O-320-B2C (LY)		1C172/TM		74.0	72.5		SA572CE Williams	1	2250	2150
150F			O-320-B3A (LY)		1C172/TM		74.0	72.5		SA572CE Williams	1	2250	2150
150F			O-320-B3B (LY)		1C172/TM		74.0	72.5		SA572CE Williams	1	2250	2150
150F			O-320-B3C (LY)		1C172/TM		74.0	72.5		SA572CE Williams	1	2250	2150
150F			O-320-C2B (LY)		1C172/TM		74.0	72.5		SA572CE Williams	1	2250	2150
150F			O-320-D1A (LY)		1C172/TM		74.0	72.5		SA572CE Williams	1	2250	2150
150F			O-320-D1B (LY)		1C172/TM		74.0	72.5		SA572CE Williams	1	2250	2150
150F			O-320-D2A (LY)		1C172/TM		74.0	72.5		SA572CE Williams	1	2250	2150
150F			O-320-D2B (LY)		1C172/TM		74.0	72.5		SA572CE Williams	1	2250	2150
150F			O-320-D2G (LY)		1C172/TM		74.0	72.5		SA572CE Williams	1	2250	2150
150F			O-320-D3G (LY)		1C172/TM		74.0	72.5		SA572CE Williams	1	2250	2150
150F			O-320-E2A (LY)		1C172/TM		74.0	72.5		SA572CE Williams	1	2250	2150
150F			O-320-E2C (LY)		1C172/TM		74.0	72.5		SA572CE Williams	1	2250	2150
150F			O-320-E2D (LY)		1C172/TM		74.0	72.5		SA572CE Williams	1	2250	2150
150G			O-200-A (TCM)		1A100/MCM6950		69.0	67.5			1	2475	2375
150G			O-200-A (TCM)	1A101/DCM6948	1A101/DCM6950		69.0	67.0			1	2600	2500
150G		F	O-200-A (TCM)	1A90/CF7535		1A90/CF7538	75.0	73.5			1	2600	2500

Fixed Pitch Applications

Aircraft		T Y P E	Engine Model (Make)	Propeller Model			Diameter		McCauley	STC	Notes	static rpm	
Model	Climb			Standard	Cruise	max	min	Spinner	Number	max		min	
150G			O-320-A1A (LY)		1C172/TM		74.0	72.5		SA572CE Williams	1	2250	2150
150G		F	O-320-A1A (LY)		1C172/TM		76.0	74.5		SA572CE Williams	1	2400	2350
150G			O-320-B1A (LY)		1C172/TM		74.0	72.5		SA572CE Williams	1	2250	2150
150G			O-320-B1B (LY)		1C172/TM		74.0	72.5		SA572CE Williams	1	2250	2150
150G			O-320-B2A (LY)		1C172/TM		74.0	72.5		SA572CE Williams	1	2250	2150
150G			O-320-B2B (LY)		1C172/TM		74.0	72.5		SA572CE Williams	1	2250	2150
150G			O-320-B2C (LY)		1C172/TM		74.0	72.5		SA572CE Williams	1	2250	2150
150G			O-320-B3A (LY)		1C172/TM		74.0	72.5		SA572CE Williams	1	2250	2150
150G			O-320-B3B (LY)		1C172/TM		74.0	72.5		SA572CE Williams	1	2250	2150
150G			O-320-B3C (LY)		1C172/TM		74.0	72.5		SA572CE Williams	1	2250	2150
150G			O-320-C2B (LY)		1C172/TM		74.0	72.5		SA572CE Williams	1	2250	2150
150G		F	O-320-C2B (LY)		1C172/TM		76.0	74.5		SA572CE Williams	1	2400	2350
150G			O-320-D1A (LY)		1C172/TM		74.0	72.5		SA572CE Williams	1	2250	2150
150G			O-320-D1B (LY)		1C172/TM		74.0	72.5		SA572CE Williams	1	2250	2150
150G			O-320-D2A (LY)		1C172/TM		74.0	72.5		SA572CE Williams	1	2250	2150
150G			O-320-D2B (LY)		1C172/TM		74.0	72.5		SA572CE Williams	1	2250	2150
150G			O-320-D2G (LY)		1C172/TM		74.0	72.5		SA572CE Williams	1	2250	2150
150G			O-320-D3G (LY)		1C172/TM		74.0	72.5		SA572CE Williams	1	2250	2150
150G			O-320-E2A (LY)		1C172/TM		74.0	72.5		SA572CE Williams	1	2250	2150
150G		F	O-320-E2A (LY)		1C172/TM		76.0	74.5		SA572CE Williams	1	2400	2350

Fixed Pitch Applications

Aircraft		T Y P E	Engine Model (Make)	Climb	Propeller Model			Diameter		McCauley	STC	Notes	static rpm	
Model	Standard				Cruise	max	min	Spinner	Number	max	min			
150G			O-320-E2C (LY)		1C172/TM		74.0	72.5		SA572CE Williams	1	2250	2150	
150G	F		O-320-E2C (LY)		1C172/TM		76.0	74.5		SA572CE Williams	1	2400	2350	
150G			O-320-E2D (LY)		1C172/TM		74.0	72.5		SA572CE Williams	1	2250	2150	
150G	F		O-320-E2D (LY)		1C172/TM		76.0	74.5		SA572CE Williams	1	2400	2350	
150H			O-200-A (TCM)		1A100/MCM6950		69.0	67.5			1	2475	2375	
150H			O-200-A (TCM)	1A101/DCM6948	1A101/DCM6950		69.0	67.0			1	2600	2500	
150H	F		O-200-A (TCM)	1A90/CF7535		1A90/CF7538	75.0	73.5			1	2600	2500	
150H			O-320-A1A (LY)		1C172/TM		74.0	72.5		SA572CE Williams	1	2250	2150	
150H	F		O-320-A1A (LY)		1C172/TM		76.0	74.5		SA572CE Williams	1	2400	2350	
150H			O-320-B1A (LY)		1C172/TM		74.0	72.5		SA572CE Williams	1	2250	2150	
150H			O-320-B1B (LY)		1C172/TM		74.0	72.5		SA572CE Williams	1	2250	2150	
150H			O-320-B2A (LY)		1C172/TM		74.0	72.5		SA572CE Williams	1	2250	2150	
150H			O-320-B2B (LY)		1C172/TM		74.0	72.5		SA572CE Williams	1	2250	2150	
150H			O-320-B2C (LY)		1C172/TM		74.0	72.5		SA572CE Williams	1	2250	2150	
150H			O-320-B3A (LY)		1C172/TM		74.0	72.5		SA572CE Williams	1	2250	2150	
150H			O-320-B3B (LY)		1C172/TM		74.0	72.5		SA572CE Williams	1	2250	2150	
150H			O-320-B3C (LY)		1C172/TM		74.0	72.5		SA572CE Williams	1	2250	2150	
150H			O-320-C2B (LY)		1C172/TM		74.0	72.5		SA572CE Williams	1	2250	2150	
150H	F		O-320-C2B (LY)		1C172/TM		76.0	74.5		SA572CE Williams	1	2400	2350	
150H			O-320-D1A (LY)		1C172/TM		74.0	72.5		SA572CE Williams	1	2250	2150	
150H			O-320-D1B (LY)		1C172/TM		74.0	72.5		SA572CE Williams	1	2250	2150	

Fixed Pitch Applications

Aircraft		T Y P E	Engine Model (Make)	Propeller Model			Diameter		McCauley	STC	Notes	static rpm	
Model	Climb			Standard	Cruise	max	min	Spinner	Number	max		min	
150H			O-320-D2A (LY)		1C172/TM		74.0	72.5		SA572CE Williams	1	2250	2150
150H			O-320-D2B (LY)		1C172/TM		74.0	72.5		SA572CE Williams	1	2250	2150
150H			O-320-D2G (LY)		1C172/TM		74.0	72.5		SA572CE Williams	1	2250	2150
150H			O-320-D3G (LY)		1C172/TM		74.0	72.5		SA572CE Williams	1	2250	2150
150H			O-320-E2A (LY)		1C172/TM		74.0	72.5		SA572CE Williams	1	2250	2150
150H		F	O-320-E2A (LY)		1C172/TM		76.0	74.5		SA572CE Williams	1	2400	2350
150H			O-320-E2C (LY)		1C172/TM		74.0	72.5		SA572CE Williams	1	2250	2150
150H		F	O-320-E2C (LY)		1C172/TM		76.0	74.5		SA572CE Williams	1	2400	2350
150H			O-320-E2D (LY)		1C172/TM		74.0	72.5		SA572CE Williams	1	2250	2150
150H		F	O-320-E2D (LY)		1C172/TM		76.0	74.5		SA572CE Williams	1	2400	2350
150J			O-200-A (TCM)		1A100/MCM6950		69.0	67.5			1	2475	2375
150J			O-200-A (TCM)	1A101/DCM6948	1A101/DCM6950		69.0	67.0			1	2600	2500
150J		F	O-200-A (TCM)	1A90/CF7535		1A90/CF7538	75.0	73.5			1	2600	2500
150J			O-320-A1A (LY)		1C172/TM		74.0	72.5		SA572CE Williams	1	2250	2150
150J		F	O-320-A1A (LY)		1C172/TM		76.0	74.5		SA572CE Williams	1	2400	2350
150J			O-320-B1A (LY)		1C172/TM		74.0	72.5		SA572CE Williams	1	2250	2150
150J			O-320-B1B (LY)		1C172/TM		74.0	72.5		SA572CE Williams	1	2250	2150
150J			O-320-B2A (LY)		1C172/TM		74.0	72.5		SA572CE Williams	1	2250	2150
150J			O-320-B2B (LY)		1C172/TM		74.0	72.5		SA572CE Williams	1	2250	2150
150J			O-320-B2C (LY)		1C172/TM		74.0	72.5		SA572CE Williams	1	2250	2150
150J			O-320-B3A (LY)		1C172/TM		74.0	72.5		SA572CE Williams	1	2250	2150

Fixed Pitch Applications

Aircraft		T Y P E	Engine Model (Make)	Propeller Model			Diameter		McCauley	STC	Notes	static rpm	
Model	Climb			Standard	Cruise	max	min	Spinner	Number	max		min	
150J			O-320-B3B (LY)		1C172/TM		74.0	72.5		SA572CE Williams	1	2250	2150
150J			O-320-B3C (LY)		1C172/TM		74.0	72.5		SA572CE Williams	1	2250	2150
150J			O-320-C2B (LY)		1C172/TM		74.0	72.5		SA572CE Williams	1	2250	2150
150J		F	O-320-C2B (LY)		1C172/TM		76.0	74.5		SA572CE Williams	1	2400	2350
150J			O-320-D1A (LY)		1C172/TM		74.0	72.5		SA572CE Williams	1	2250	2150
150J			O-320-D1B (LY)		1C172/TM		74.0	72.5		SA572CE Williams	1	2250	2150
150J			O-320-D2A (LY)		1C172/TM		74.0	72.5		SA572CE Williams	1	2250	2150
150J			O-320-D2B (LY)		1C172/TM		74.0	72.5		SA572CE Williams	1	2250	2150
150J			O-320-D2G (LY)		1C172/TM		74.0	72.5		SA572CE Williams	1	2250	2150
150J			O-320-D3G (LY)		1C172/TM		74.0	72.5		SA572CE Williams	1	2250	2150
150J			O-320-E2A (LY)		1C172/TM		74.0	72.5		SA572CE Williams	1	2250	2150
150J		F	O-320-E2A (LY)		1C172/TM		76.0	74.5		SA572CE Williams	1	2400	2350
150J			O-320-E2C (LY)		1C172/TM		74.0	72.5		SA572CE Williams	1	2250	2150
150J		F	O-320-E2C (LY)		1C172/TM		76.0	74.5		SA572CE Williams	1	2400	2350
150J			O-320-E2D (LY)		1C172/TM		74.0	72.5		SA572CE Williams	1	2250	2150
150J		F	O-320-E2D (LY)		1C172/TM		76.0	74.5		SA572CE Williams	1	2400	2350
150K			O-200-A (TCM)		1A100/MCM6950		69.0	67.5			1	2475	2375
150K			O-200-A (TCM)	1A101/DCM6948	1A101/DCM6950		69.0	67.0			1	2600	2500
150K		F	O-200-A (TCM)	1A90/CF7535		1A90/CF7538	75.0	73.5			1	2600	2500
150K			O-320-A1A (LY)		1C172/TM		74.0	72.5		SA572CE Williams	1	2250	2150
150K		F	O-320-A1A (LY)		1C172/TM		76.0	74.5		SA572CE Williams	1	2400	2350

Fixed Pitch Applications

Aircraft		T Y P E	Engine Model (Make)	Climb	Propeller Model			Diameter		McCauley	STC	Notes	static rpm	
Model	Standard				Cruise	max	min	Spinner	Number	max	min			
150K			O-320-B1A (LY)		1C172/TM		74.0	72.5		SA572CE Williams	1	2250	2150	
150K			O-320-B1B (LY)		1C172/TM		74.0	72.5		SA572CE Williams	1	2250	2150	
150K			O-320-B2A (LY)		1C172/TM		74.0	72.5		SA572CE Williams	1	2250	2150	
150K			O-320-B2B (LY)		1C172/TM		74.0	72.5		SA572CE Williams	1	2250	2150	
150K			O-320-B2C (LY)		1C172/TM		74.0	72.5		SA572CE Williams	1	2250	2150	
150K			O-320-B3A (LY)		1C172/TM		74.0	72.5		SA572CE Williams	1	2250	2150	
150K			O-320-B3B (LY)		1C172/TM		74.0	72.5		SA572CE Williams	1	2250	2150	
150K			O-320-B3C (LY)		1C172/TM		74.0	72.5		SA572CE Williams	1	2250	2150	
150K			O-320-C2B (LY)		1C172/TM		74.0	72.5		SA572CE Williams	1	2250	2150	
150K		F	O-320-C2B (LY)		1C172/TM		76.0	74.5		SA572CE Williams	1	2400	2350	
150K			O-320-D1A (LY)		1C172/TM		74.0	72.5		SA572CE Williams	1	2250	2150	
150K			O-320-D1B (LY)		1C172/TM		74.0	72.5		SA572CE Williams	1	2250	2150	
150K			O-320-D2A (LY)		1C172/TM		74.0	72.5		SA572CE Williams	1	2250	2150	
150K			O-320-D2B (LY)		1C172/TM		74.0	72.5		SA572CE Williams	1	2250	2150	
150K			O-320-D2G (LY)		1C172/TM		74.0	72.5		SA572CE Williams	1	2250	2150	
150K			O-320-D3G (LY)		1C172/TM		74.0	72.5		SA572CE Williams	1	2250	2150	
150K			O-320-E2A (LY)		1C172/TM		74.0	72.5		SA572CE Williams	1	2250	2150	
150K		F	O-320-E2A (LY)		1C172/TM		76.0	74.5		SA572CE Williams	1	2400	2350	
150K			O-320-E2C (LY)		1C172/TM		74.0	72.5		SA572CE Williams	1	2250	2150	
150K		F	O-320-E2C (LY)		1C172/TM		76.0	74.5		SA572CE Williams	1	2400	2350	

Fixed Pitch Applications

Aircraft		T Y P E	Engine Model (Make)	Propeller Model			Diameter		McCauley	STC	Notes	static rpm	
Model	Climb			Standard	Cruise	max	min	Spinner	Number	max		min	
150K			O-320-E2D (LY)		1C172/TM		74.0	72.5		SA572CE Williams	1	2250	2150
150K		F	O-320-E2D (LY)		1C172/TM		76.0	74.5		SA572CE Williams	1	2400	2350
150L (1971, 1972, 1973 models)			O-200-A (TCM)		1A101/GCM6948		69.0	67.0			1 16	2600	2500
150L (1972, 1973, 1974 models)			O-200-A (TCM)		1A101/HCM6948		69.0	67.0			1 16	2600	2500
150L (1974 model)			O-200-A (TCM)		1A101/PCM6948		69.0	67.0			1 16	2600	2500
150L (1971 through 1974 models)			O-200-A (TCM)		1A102/OCM6948		69.0	67.5			1	2560	2460
150L			O-320-A1A (LY)		1C172/TM		74.0	72.5		SA572CE Williams	1	2250	2150
150L			O-320-B1A (LY)		1C172/TM		74.0	72.5		SA572CE Williams	1	2250	2150
150L			O-320-B1B (LY)		1C172/TM		74.0	72.5		SA572CE Williams	1	2250	2150
150L			O-320-B2A (LY)		1C172/TM		74.0	72.5		SA572CE Williams	1	2250	2150
150L			O-320-B2B (LY)		1C172/TM		74.0	72.5		SA572CE Williams	1	2250	2150
150L			O-320-B2C (LY)		1C172/TM		74.0	72.5		SA572CE Williams	1	2250	2150
150L			O-320-B3A (LY)		1C172/TM		74.0	72.5		SA572CE Williams	1	2250	2150
150L			O-320-B3B (LY)		1C172/TM		74.0	72.5		SA572CE Williams	1	2250	2150
150L			O-320-B3C (LY)		1C172/TM		74.0	72.5		SA572CE Williams	1	2250	2150
150L			O-320-C2B (LY)		1C172/TM		74.0	72.5		SA572CE Williams	1	2250	2150
150L			O-320-D1A (LY)		1C172/TM		74.0	72.5		SA572CE Williams	1	2250	2150
150L			O-320-D1B (LY)		1C172/TM		74.0	72.5		SA572CE Williams	1	2250	2150
150L			O-320-D2A (LY)		1C172/TM		74.0	72.5		SA572CE Williams	1	2250	2150
150L			O-320-D2B (LY)		1C172/TM		74.0	72.5		SA572CE Williams	1	2250	2150

Fixed Pitch Applications

Aircraft		T Y P E	Engine Model (Make)	Climb	Propeller Model			Diameter		McCauley	STC	Notes	static rpm	
Model	Standard				Cruise	max	min	Spinner	Number	max	min			
150L		O-320-D2G (LY)		1C172/TM			74.0	72.5		SA572CE Williams	1	2250	2150	
150L		O-320-D3G (LY)		1C172/TM			74.0	72.5		SA572CE Williams	1	2250	2150	
150L		O-320-E2A (LY)		1C172/TM			74.0	72.5		SA572CE Williams	1	2250	2150	
150L		O-320-E2C (LY)		1C172/TM			74.0	72.5		SA572CE Williams	1	2250	2150	
150L		O-320-E2D (LY)		1C172/TM			74.0	72.5		SA572CE Williams	1	2250	2150	
150M		O-200-A (TCM)		1A102/OCM6948			69.0	67.5			1	2560	2460	
150M		O-320-A1A (LY)		1C172/TM			74.0	72.5		SA572CE Williams	1	2250	2150	
150M		O-320-B1A (LY)		1C172/TM			74.0	72.5		SA572CE Williams	1	2250	2150	
150M		O-320-B1B (LY)		1C172/TM			74.0	72.5		SA572CE Williams	1	2250	2150	
150M		O-320-B2A (LY)		1C172/TM			74.0	72.5		SA572CE Williams	1	2250	2150	
150M		O-320-B2B (LY)		1C172/TM			74.0	72.5		SA572CE Williams	1	2250	2150	
150M		O-320-B2C (LY)		1C172/TM			74.0	72.5		SA572CE Williams	1	2250	2150	
150M		O-320-B3A (LY)		1C172/TM			74.0	72.5		SA572CE Williams	1	2250	2150	
150M		O-320-B3B (LY)		1C172/TM			74.0	72.5		SA572CE Williams	1	2250	2150	
150M		O-320-B3C (LY)		1C172/TM			74.0	72.5		SA572CE Williams	1	2250	2150	
150M		O-320-C2B (LY)		1C172/TM			74.0	72.5		SA572CE Williams	1	2250	2150	
150M		O-320-D1A (LY)		1C172/TM			74.0	72.5		SA572CE Williams	1	2250	2150	
150M		O-320-D1B (LY)		1C172/TM			74.0	72.5		SA572CE Williams	1	2250	2150	
150M		O-320-D2A (LY)		1C172/TM			74.0	72.5		SA572CE Williams	1	2250	2150	
150M		O-320-D2B (LY)		1C172/TM			74.0	72.5		SA572CE Williams	1	2250	2150	

Fixed Pitch Applications

Aircraft		T Y P E	Engine Model (Make)	Propeller Model			Diameter		McCauley	STC	Notes	static rpm	
Model	Climb			Standard	Cruise	max	min	Spinner	Number	max		min	
150M			O-320-D2G (LY)		1C172/TM		74.0	72.5		SA572CE Williams	1	2250	2150
150M			O-320-D3G (LY)		1C172/TM		74.0	72.5		SA572CE Williams	1	2250	2150
150M			O-320-E2A (LY)		1C172/TM		74.0	72.5		SA572CE Williams	1	2250	2150
150M			O-320-E2C (LY)		1C172/TM		74.0	72.5		SA572CE Williams	1	2250	2150
150M			O-320-E2D (LY)		1C172/TM		74.0	72.5		SA572CE Williams	1	2250	2150
A150K "Aerobat"			O-200-A (TCM)	1A101/DCM6948	1A101/DCM6950		69.0	67.0			1	2600	2500
A150K "Aerobat"			O-320-A1A (LY)		1C172/TM		74.0	72.5		SA572CE Williams	1	2250	2150
A150K "Aerobat"	F		O-320-A1A (LY)		1C172/TM		76.0	74.5		SA572CE Williams	1	2400	2350
A150K "Aerobat"			O-320-B1A (LY)		1C172/TM		74.0	72.5		SA572CE Williams	1	2250	2150
A150K "Aerobat"			O-320-B1B (LY)		1C172/TM		74.0	72.5		SA572CE Williams	1	2250	2150
A150K "Aerobat"			O-320-B2A (LY)		1C172/TM		74.0	72.5		SA572CE Williams	1	2250	2150
A150K "Aerobat"			O-320-B2B (LY)		1C172/TM		74.0	72.5		SA572CE Williams	1	2250	2150
A150K "Aerobat"			O-320-B2C (LY)		1C172/TM		74.0	72.5		SA572CE Williams	1	2250	2150
A150K "Aerobat"			O-320-B3A (LY)		1C172/TM		74.0	72.5		SA572CE Williams	1	2250	2150
A150K "Aerobat"			O-320-B3B (LY)		1C172/TM		74.0	72.5		SA572CE Williams	1	2250	2150
A150K "Aerobat"			O-320-B3C (LY)		1C172/TM		74.0	72.5		SA572CE Williams	1	2250	2150
A150K "Aerobat"			O-320-C2B (LY)		1C172/TM		74.0	72.5		SA572CE Williams	1	2250	2150
A150K "Aerobat"	F		O-320-C2B (LY)		1C172/TM		76.0	74.5		SA572CE Williams	1	2400	2350
A150K "Aerobat"			O-320-D1A (LY)		1C172/TM		74.0	72.5		SA572CE Williams	1	2250	2150
A150K "Aerobat"			O-320-D1B (LY)		1C172/TM		74.0	72.5		SA572CE Williams	1	2250	2150

Fixed Pitch Applications

Aircraft		T Y P E	Engine Model (Make)	Climb	Propeller Model			Diameter		McCauley	STC		static rpm	
Model	Standard				Cruise	max	min	Spinner	Number	Notes	max	min		
A150K "Aerobat"			O-320-D2A (LY)		1C172/TM		74.0	72.5		SA572CE Williams	1	2250	2150	
A150K "Aerobat"			O-320-D2B (LY)		1C172/TM		74.0	72.5		SA572CE Williams	1	2250	2150	
A150K "Aerobat"			O-320-D2G (LY)		1C172/TM		74.0	72.5		SA572CE Williams	1	2250	2150	
A150K "Aerobat"			O-320-D3G (LY)		1C172/TM		74.0	72.5		SA572CE Williams	1	2250	2150	
A150K "Aerobat"			O-320-E2A (LY)		1C172/TM		74.0	72.5		SA572CE Williams	1	2250	2150	
A150K "Aerobat"		F	O-320-E2A (LY)		1C172/TM		76.0	74.5		SA572CE Williams	1	2400	2350	
A150K "Aerobat"			O-320-E2C (LY)		1C172/TM		74.0	72.5		SA572CE Williams	1	2250	2150	
A150K "Aerobat"		F	O-320-E2C (LY)		1C172/TM		76.0	74.5		SA572CE Williams	1	2400	2350	
A150K "Aerobat"			O-320-E2D (LY)		1C172/TM		74.0	72.5		SA572CE Williams	1	2250	2150	
A150K "Aerobat"		F	O-320-E2D (LY)		1C172/TM		76.0	74.5		SA572CE Williams	1	2400	2350	
A150L (1971, 1972, 1973 models) "Aerobat"			O-200-A (TCM)		1A101/GCM6948		69.0	67.0			1 16	2600	2500	
A150L (1971, 1972, 1973 models) "Aerobat"			O-200-A (TCM)		1A101/HCM6948		69.0	67.0			1 16	2600	2500	
A150L (1974 model) "Aerobat"			O-200-A (TCM)		1A102/OCM6948		69.0	67.5			1	2560	2460	
A150L "Aerobat"			O-320-A1A (LY)		1C172/TM		74.0	72.5		SA572CE Williams	1	2250	2150	
A150L "Aerobat"			O-320-B1A (LY)		1C172/TM		74.0	72.5		SA572CE Williams	1	2250	2150	
A150L "Aerobat"			O-320-B1B (LY)		1C172/TM		74.0	72.5		SA572CE Williams	1	2250	2150	
A150L "Aerobat"			O-320-B2A (LY)		1C172/TM		74.0	72.5		SA572CE Williams	1	2250	2150	
A150L "Aerobat"			O-320-B2B (LY)		1C172/TM		74.0	72.5		SA572CE Williams	1	2250	2150	

Fixed Pitch Applications

Aircraft		T Y P E	Engine Model (Make)	Propeller Model			Diameter		McCauley	STC	Notes	static rpm	
Model	Climb			Standard	Cruise	max	min	Spinner	Number	max		min	
A150L "Aerobat"		O-320-B2C (LY)		1C172/TM		74.0	72.5		SA572CE Williams	1	2250	2150	
A150L "Aerobat"		O-320-B3A (LY)		1C172/TM		74.0	72.5		SA572CE Williams	1	2250	2150	
A150L "Aerobat"		O-320-B3B (LY)		1C172/TM		74.0	72.5		SA572CE Williams	1	2250	2150	
A150L "Aerobat"		O-320-B3C (LY)		1C172/TM		74.0	72.5		SA572CE Williams	1	2250	2150	
A150L "Aerobat"		O-320-C2B (LY)		1C172/TM		74.0	72.5		SA572CE Williams	1	2250	2150	
A150L "Aerobat"		O-320-D1A (LY)		1C172/TM		74.0	72.5		SA572CE Williams	1	2250	2150	
A150L "Aerobat"		O-320-D1B (LY)		1C172/TM		74.0	72.5		SA572CE Williams	1	2250	2150	
A150L "Aerobat"		O-320-D2A (LY)		1C172/TM		74.0	72.5		SA572CE Williams	1	2250	2150	
A150L "Aerobat"		O-320-D2B (LY)		1C172/TM		74.0	72.5		SA572CE Williams	1	2250	2150	
A150L "Aerobat"		O-320-D2G (LY)		1C172/TM		74.0	72.5		SA572CE Williams	1	2250	2150	
A150L "Aerobat"		O-320-D3G (LY)		1C172/TM		74.0	72.5		SA572CE Williams	1	2250	2150	
A150L "Aerobat"		O-320-E2A (LY)		1C172/TM		74.0	72.5		SA572CE Williams	1	2250	2150	
A150L "Aerobat"		O-320-E2C (LY)		1C172/TM		74.0	72.5		SA572CE Williams	1	2250	2150	
A150L "Aerobat"		O-320-E2D (LY)		1C172/TM		74.0	72.5		SA572CE Williams	1	2250	2150	
A150M "Aerobat"		O-200-A (TCM)		1A102/OCM6948		69.0	67.5			1	2560	2460	
A150M "Aerobat"		O-320-A1A (LY)		1C172/TM		74.0	72.5		SA572CE Williams	1	2250	2150	
A150M "Aerobat"		O-320-B1A (LY)		1C172/TM		74.0	72.5		SA572CE Williams	1	2250	2150	
A150M "Aerobat"		O-320-B1B (LY)		1C172/TM		74.0	72.5		SA572CE Williams	1	2250	2150	
A150M "Aerobat"		O-320-B2A (LY)		1C172/TM		74.0	72.5		SA572CE Williams	1	2250	2150	
A150M "Aerobat"		O-320-B2B (LY)		1C172/TM		74.0	72.5		SA572CE Williams	1	2250	2150	

Fixed Pitch Applications

Aircraft		T Y P E	Engine Model (Make)	Propeller Model			Diameter		McCauley	STC	Notes	static rpm	
Model	Climb			Standard	Cruise	max	min	Spinner	Number	max		min	
A150M "Aerobat"		O-320-B2C (LY)		1C172/TM		74.0	72.5		SA572CE Williams	1	2250	2150	
A150M "Aerobat"		O-320-B3A (LY)		1C172/TM		74.0	72.5		SA572CE Williams	1	2250	2150	
A150M "Aerobat"		O-320-B3B (LY)		1C172/TM		74.0	72.5		SA572CE Williams	1	2250	2150	
A150M "Aerobat"		O-320-B3C (LY)		1C172/TM		74.0	72.5		SA572CE Williams	1	2250	2150	
A150M "Aerobat"		O-320-C2B (LY)		1C172/TM		74.0	72.5		SA572CE Williams	1	2250	2150	
A150M "Aerobat"		O-320-D1A (LY)		1C172/TM		74.0	72.5		SA572CE Williams	1	2250	2150	
A150M "Aerobat"		O-320-D1B (LY)		1C172/TM		74.0	72.5		SA572CE Williams	1	2250	2150	
A150M "Aerobat"		O-320-D2A (LY)		1C172/TM		74.0	72.5		SA572CE Williams	1	2250	2150	
A150M "Aerobat"		O-320-D2B (LY)		1C172/TM		74.0	72.5		SA572CE Williams	1	2250	2150	
A150M "Aerobat"		O-320-D2G (LY)		1C172/TM		74.0	72.5		SA572CE Williams	1	2250	2150	
A150M "Aerobat"		O-320-D3G (LY)		1C172/TM		74.0	72.5		SA572CE Williams	1	2250	2150	
A150M "Aerobat"		O-320-E2A (LY)		1C172/TM		74.0	72.5		SA572CE Williams	1	2250	2150	
A150M "Aerobat"		O-320-E2C (LY)		1C172/TM		74.0	72.5		SA572CE Williams	1	2250	2150	
A150M "Aerobat"		O-320-E2D (LY)		1C172/TM		74.0	72.5		SA572CE Williams	1	2250	2150	
152 (1978 - 1982 models)		O-235-L2C (LY)		1A103/TCM6958		69.0	67.5			16	2380	2280	
152 (1978 - 1982 models)		O-235-L2C (STC)		1A135/KCM7054		70.0	69.0		SA2278NM Aerotech	48	2350	2250	
152 (1983 and up)		O-235-N2C (LY)		1A103/TCM6958		69.0	67.5			16 18	2380	2280	
A152 (1978 - 1982 models) "Aerobat"		O-235-L2C (LY)		1A103/TCM6958		69.0	67.5			16	2380	2280	
A152 (1983 and up) "Aerobat"		O-235-N2C (LY)		1A103/TCM6958		69.0	67.5			16 18	2380	2280	

Fixed Pitch Applications

Aircraft		T Y P E	Engine Model (Make)	Propeller Model			Diameter		McCauley	STC	Notes	static rpm	
Model	Climb			Standard	Cruise	max	min	Spinner	Number	max		min	
170			C-145-2 (TCM)	1A170/DM7651	1A170/DM7653		76.0	74.5			1	2525	2300
170			C-145-2 (TCM)	1C172/MDM7653	1C172/MDM7655	1C172/MDM7656	76.0	74.5			1	2350	2250
170			C-145-2 (TCM)		1A175/DM		80.0			SA632AL Alaska Propeller	1		
170			O-300-A (TCM)	1A170/DM7651	1A170/DM7653		76.0	74.5			1	2525	2300
170			O-300-A (TCM)	1C172/MDM7653	1C172/MDM7655	1C172/MDM7656	76.0	74.5			1	2350	2250
170			O-300-A (TCM)		1A175/DM		80.0			SA632AL Alaska Propeller	1		
170A			C-145 (TCM)		1A175/DM		80.0			SA111NW Kenmore Air Harbor	1		
170A		F	C-145 (TCM)		1A175/DM		80.0			SA111NW Kenmore Air Harbor	1		
170A			C-145-2 (TCM)	1A170/DM7651	1A170/DM7653		76.0	74.5			1	2525	2300
170A			C-145-2 (TCM)	1C172/MDM7653	1C172/MDM7655	1C172/MDM7656	76.0	74.5			1	2350	2250
170A			C-145-2 (TCM)		1A175/DM		80.0			SA632AL Alaska Propeller	1		
170A		F	C-145-2 (TCM)		1A170/DM7647		76.0	74.5			1	2525	2300
170A		F	C-145-2 (TCM)		1C172/MDM7649		76.0	74.5			1	2525	2300
170A			C-145-2H (TCM)	1A170/DM7651	1A170/DM7653		76.0	74.5			1	2525	2300
170A			C-145-2H (TCM)	1C172/MDM7653	1C172/MDM7655	1C172/MDM7656	76.0	74.5			1	2350	2250
170A			C-145-2H (TCM)		1A175/DM		80.0			SA632AL Alaska Propeller	1		
170A		F	C-145-2H (TCM)		1A170/DM7647		76.0	74.5			1	2525	2300
170A		F	C-145-2H (TCM)		1C172/MDM7649		76.0	74.5			1	2525	2300
170A			O-300-A (TCM)	1A170/DM7651	1A170/DM7653		76.0	74.5			1	2525	2300
170A			O-300-A (TCM)	1C172/MDM7653	1C172/MDM7655	1C172/MDM7656	76.0	74.5			1	2350	2250
170A			O-300-A (TCM)		1A175/DM		80.0			SA111NW Kenmore Air Harbor	1		
170A			O-300-A (TCM)		1A175/DM		80.0			SA632AL Alaska Propeller	1		
170A		F	O-300-A (TCM)		1A170/DM7647		76.0	74.5			1	2525	2300
170A		F	O-300-A (TCM)		1C172/MDM7649		76.0	74.5			1	2525	2300
170A		F	O-300-A (TCM)		1A175/DM		80.0			SA111NW Kenmore Air Harbor	1		

Fixed Pitch Applications

Aircraft		TYPE	Engine Model (Make)	Propeller Model			Diameter		McCauley	STC		static rpm	
Model	Climb			Standard	Cruise	max	min	Spinner	Number	Notes	max	min	
170A			O-300-B (TCM)		1A175/DM		80.0			SA111NW Kenmore Air Harbor	1		
170A		F	O-300-B (TCM)		1A175/DM		80.0			SA111NW Kenmore Air Harbor	1		
170A			6A4-165-B3 (FR)	1A170/DM7652	1A170/DM7654		76.0	74.5			1 17	2350	2200
170A		F	6A4-165-B3 (FR)		1A170/DM7649	1A170/DM7652	76.0	74.5			1 17	2500	2400
170B			C-145 (TCM)		1A175/DM		80.0			SA111NW Kenmore Air Harbor	1		
170B		F	C-145 (TCM)		1A175/DM		80.0			SA111NW Kenmore Air Harbor	1		
170B			C-145-2 (TCM)		1A170/DF7653		76.0	74.5			1 16	2525	2300
170B			C-145-2 (TCM)	1A170/DM7651	1A170/DM7653		76.0	74.5			1	2525	2300
170B			C-145-2 (TCM)	1C172/MDM7653	1C172/MDM7655	1C172/MDM7656	76.0	74.5			1	2350	2250
170B			C-145-2 (TCM)		1A175/DM		80.0			SA632AL Alaska Propeller	1		
170B		F	C-145-2 (TCM)	1A170/DM7647	1A170/DM7648	1A170/DM7649	76.0	74.5			1	2525	2300
170B		F	C-145-2 (TCM)		1C172/MDM7649		76.0	74.5			1	2525	2300
170B			C-145-2H (TCM)		1A170/DF7653		76.0	74.5			1 16	2525	2300
170B			C-145-2H (TCM)	1A170/DM7651	1A170/DM7653		76.0	74.5			1	2525	2300
170B			C-145-2H (TCM)	1C172/MDM7653	1C172/MDM7655	1C172/MDM7656	76.0	74.5			1	2350	2250
170B			C-145-2H (TCM)		1A175/DM		80.0			SA632AL Alaska Propeller	1		
170B		F	C-145-2H (TCM)	1A170/DM7647	1A170/DM7648	1A170/DM7649	76.0	74.5			1	2525	2300
170B		F	C-145-2H (TCM)		1C172/MDM7649		76.0	74.5			1	2525	2300
170B			O-300-A (TCM)		1A170/DF7653		76.0	74.5			1 16	2525	2300
170B			O-300-A (TCM)	1A170/DM7651	1A170/DM7653		76.0	74.5			1	2525	2300
170B			O-300-A (TCM)	1C172/MDM7653	1C172/MDM7655	1C172/MDM7656	76.0	74.5			1	2350	2250
170B			O-300-A (TCM)		1A175/DM		80.0			SA632AL Alaska Propeller	1		

Fixed Pitch Applications

Aircraft		T Y P E	Engine Model (Make)	Climb	Propeller Model			Diameter		McCauley	STC		static rpm	
Model	Standard				Cruise	max	min	Spinner	Number	Notes	max	min		
170B			O-300-A (TCM)		1A175/DM		80.0			SA111NW Kenmore Air Harbor	1			
170B		F	O-300-A (TCM)	1A170/DM7647	1A170/DM7648	1A170/DM7649	76.0	74.5				1	2525	2300
170B		F	O-300-A (TCM)		1C172/MDM7649		76.0	74.5				1	2525	2300
170B		F	O-300-A (TCM)		1A175/DM		80.0			SA111NW Kenmore Air Harbor	1			
170B			O-300-B (TCM)		1A175/DM		80.0			SA111NW Kenmore Air Harbor	1			
170B		F	O-300-B (TCM)		1A175/DM		80.0			SA111NW Kenmore Air Harbor	1			
170B			6A4-165-B3 (FR)	1A170/DM7652	1A170/DM7654		76.0	74.5				1 17	2350	2200
170B		F	6A4-165-B3 (FR)		1A170/DM7649	1A170/DM7652	76.0	74.5				1 17	2500	2400
172			O-300-A (TCM)		1A170/DM7651	1A170/DM7653	76.0	74.5				1	2360	2230
172			O-300-A (TCM)	1C172/MDM7652	1C172/MDM7653	1C172/MDM7655	76.0	74.5					2350	2250
172A			O-300-C (TCM)	1C172/EM7652	1C172/EM7653	1C172/EM7655	76.0	74.5					2350	2230
172A		F	O-300-C (TCM)		1A175/SFC8040		80.0	78.4					2480	2380
172A			O-300-D (TCM)	1C172/EM7652	1C172/EM7653	1C172/EM7655	76.0	74.5					2350	2230
172A		F	O-300-D (TCM)		1A175/SFC8040		80.0	78.4					2480	2380
172B			O-300-C (TCM)	1C172/EM7652	1C172/EM7653	1C172/EM7655	76.0	74.5					2350	2230
172B		F	O-300-C (TCM)		1A175/SFC8040		80.0	78.4					2480	2380
172B			O-300-D (TCM)	1C172/EM7652	1C172/EM7653	1C172/EM7655	76.0	74.5					2350	2230
172B		F	O-300-D (TCM)		1A175/SFC8040		80.0	78.4					2480	2380
172B			O-360-A2F (LY)		1A170/CFA7660		76.0			SA4428SW Air Plains				
172B			O-360-A3A (LY)		1A170/CFA7660		76.0			SA4428SW Air Plains				
172B			O-360-A4A (LY)		1A170/CFA7660		76.0			SA4428SW Air Plains				
172B			O-360-A4M (LY)		1A170/CFA7660		76.0			SA4428SW Air Plains				
172B			O-360-A4N (LY)		1A170/CFA7660		76.0			SA4428SW Air Plains				
172C "Skyhawk"			O-300-C (TCM)	1C172/EM7652	1C172/EM7653	1C172/EM7655	76.0	74.5					2350	2230

Fixed Pitch Applications

Aircraft		T Y P E	Engine Model (Make)	Propeller Model			Diameter		McCauley	STC	Notes	static rpm	
Model	Climb			Standard	Cruise	max	min	Spinner	Number	max		min	
172C "Skyhawk"	F	O-300-C (TCM)		1A175/SFC8040			80.0	78.4				2480	2380
172C "Skyhawk"		O-300-D (TCM)	1C172/EM7652	1C172/EM7653	1C172/EM7655		76.0	74.5				2350	2230
172C "Skyhawk"	F	O-300-D (TCM)		1A175/SFC8040			80.0	78.4				2480	2380
172C "Skyhawk"		O-360-A2F (LY)		1A170/CFA7660			76.0						
172C "Skyhawk"		O-360-A3A (LY)		1A170/CFA7660			76.0						
172C "Skyhawk"		O-360-A4A (LY)		1A170/CFA7660			76.0						
172C "Skyhawk"		O-360-A4M (LY)		1A170/CFA7660			76.0						
172C "Skyhawk"		O-360-A4N (LY)		1A170/CFA7660			76.0						
172D "Skyhawk"		O-300-C (TCM)	1C172/EM7652	1C172/EM7653			76.0	74.5				2420	2230
172D "Skyhawk"	F	O-300-C (TCM)		1A175/SFC8040			80.0	78.4				2480	2380
172D "Skyhawk"		O-300-D (TCM)	1C172/EM7652	1C172/EM7653			76.0	74.5				2420	2230
172D "Skyhawk"	F	O-300-D (TCM)		1A175/SFC8040			80.0	78.4				2480	2380
172D "Skyhawk"		O-360-A2F (LY)		1A170/CFA7660			76.0						
172D "Skyhawk"		O-360-A3A (LY)		1A170/CFA7660			76.0						
172D "Skyhawk"		O-360-A4A (LY)		1A170/CFA7660			76.0						
172D "Skyhawk"		O-360-A4M (LY)		1A170/CFA7660			76.0						
172D "Skyhawk"		O-360-A4N (LY)		1A170/CFA7660			76.0						
172E "Skyhawk"		O-300-C (TCM)	1C172/EM7652	1C172/EM7653			76.0	74.5				2420	2230
172E "Skyhawk"	F	O-300-C (TCM)		1A175/SFC8040			80.0	78.4				2480	2380
172E "Skyhawk"		O-300-D (TCM)	1C172/EM7652	1C172/EM7653			76.0	74.5				2420	2230

Fixed Pitch Applications

Aircraft		T Y P E	Engine Model (Make)	Propeller Model			Diameter		McCauley	STC	Notes	static rpm	
Model	Climb			Standard	Cruise	max	min	Spinner	Number	max		min	
172E "Skyhawk"		F	O-300-D (TCM)		1A175/SFC8040		80.0	78.4			2480	2380	
172E "Skyhawk"			O-360-A2F (LY)		1A170/CFA7660		76.0			SA4428SW Air Plains			
172E "Skyhawk"			O-360-A3A (LY)		1A170/CFA7660		76.0			SA4428SW Air Plains			
172E "Skyhawk"			O-360-A4A (LY)		1A170/CFA7660		76.0			SA4428SW Air Plains			
172E "Skyhawk"			O-360-A4M (LY)		1A170/CFA7660		76.0			SA4428SW Air Plains			
172E "Skyhawk"			O-360-A4N (LY)		1A170/CFA7660		76.0			SA4428SW Air Plains			
172F "Skyhawk, USAF T-41A"			O-300-C (TCM)	1C172/EM7652	1C172/EM7653		76.0	74.5			2420	2230	
172F "Skyhawk, USAF T-41A"		F	O-300-C (TCM)		1A175/SFC8040		80.0	78.4			2480	2380	
172F "Skyhawk, USAF T-41A"			O-300-D (TCM)	1C172/EM7652	1C172/EM7653		76.0	74.5			2420	2230	
172F "Skyhawk, USAF T-41A"		F	O-300-D (TCM)		1A175/SFC8040		80.0	78.4			2480	2380	
172F "Skyhawk, USAF T-41A"			O-360-A2F (LY)		1A170/CFA7660		76.0			SA4428SW Air Plains			
172F "Skyhawk, USAF T-41A"			O-360-A3A (LY)		1A170/CFA7660		76.0			SA4428SW Air Plains			
172F "Skyhawk, USAF T-41A"			O-360-A4A (LY)		1A170/CFA7660		76.0			SA4428SW Air Plains			
172F "Skyhawk, USAF T-41A"			O-360-A4M (LY)		1A170/CFA7660		76.0			SA4428SW Air Plains			
172F "Skyhawk, USAF T-41A"			O-360-A4N (LY)		1A170/CFA7660		76.0			SA4428SW Air Plains			
172G "Skyhawk"			O-300-C (TCM)	1C172/EM7652	1C172/EM7653		76.0	74.5			2420	2230	
172G "Skyhawk"		F	O-300-C (TCM)		1A175/SFC8040		80.0	78.4			2480	2380	
172G "Skyhawk"			O-300-D (TCM)	1C172/EM7652	1C172/EM7653		76.0	74.5			2420	2230	
172G "Skyhawk"		F	O-300-D (TCM)		1A175/SFC8040		80.0	78.4			2480	2380	
172G "Skyhawk"			O-360-A2F (LY)		1A170/CFA7660		76.0			SA4428SW Air Plains			

Fixed Pitch Applications

Aircraft		T Y P E	Engine Model (Make)	Propeller Model			Diameter		McCauley	STC	Notes	static rpm	
Model	Climb			Standard	Cruise	max	min	Spinner	Number	max		min	
172G "Skyhawk"			O-360-A3A (LY)		1A170/CFA7660		76.0			SA4428SW Air Plains			
172G "Skyhawk"			O-360-A4A (LY)		1A170/CFA7660		76.0			SA4428SW Air Plains			
172G "Skyhawk"			O-360-A4M (LY)		1A170/CFA7660		76.0			SA4428SW Air Plains			
172G "Skyhawk"			O-360-A4N (LY)		1A170/CFA7660		76.0			SA4428SW Air Plains			
172H "Skyhawk,USAF T-41A"			O-300-C (TCM)	1C172/EM7652	1C172/EM7653		76.0	74.5				2420 2230	
172H "Skyhawk,USAF T-41A"	F		O-300-C (TCM)		1A175/SFC8040		80.0	78.4				2480 2380	
172H "Skyhawk,USAF T-41A"			O-300-D (TCM)	1C172/EM7652	1C172/EM7653		76.0	74.5				2420 2230	
172H "Skyhawk,USAF T-41A"	F		O-300-D (TCM)		1A175/SFC8040		80.0	78.4				2480 2380	
172H "Skyhawk,USAF T-41A"			O-360-A2F (LY)		1A170/CFA7660		76.0			SA4428SW Air Plains			
172H "Skyhawk,USAF T-41A"			O-360-A3A (LY)		1A170/CFA7660		76.0			SA4428SW Air Plains			
172H "Skyhawk,USAF T-41A"			O-360-A4A (LY)		1A170/CFA7660		76.0			SA4428SW Air Plains			
172H "Skyhawk,USAF T-41A"			O-360-A4M (LY)		1A170/CFA7660		76.0			SA4428SW Air Plains			
172H "Skyhawk,USAF T-41A"			O-360-A4N (LY)		1A170/CFA7660		76.0			SA4428SW Air Plains			
172I "Skyhawk"			O-320-E2D (LY)		1C172/MTM7653		76.0	74.0			16 49	2360 2260	
172I "Skyhawk"			O-320-E2D (LY)		1C160/CTM7553		75.0	74.0			16 49	2370 2270	
172I "Skyhawk"			O-320-E2D (LY)		1C160/DTM7553		75.0	74.0			49	2370 2270	
172I "Skyhawk"	F		O-320-E2D (LY)		1A175/ATM8042		80.0	78.4			16 49	2480 2380	
172I "Skyhawk"	F		O-320-E2D (LY)		1A175/ETM8042		80.0	78.4			49	2480 2380	
172I "Skyhawk"	F		O-360 (LY)		1A200/DFA					SA332GL Penn Yan Aero			
172I "Skyhawk"			O-360-A2F (LY)		1A170/CFA7660		76.0			SA4428SW Air Plains			

Fixed Pitch Applications

Aircraft		T Y P E	Engine Model (Make)	Climb	Propeller Model			Diameter		McCauley	STC		static rpm	
Model	Standard				Cruise	max	min	Spinner	Number	Notes	max	min		
172I "Skyhawk"			O-360-A3A (LY)		1A170/CFA7660		76.0			SA4428SW Air Plains				
172I "Skyhawk"			O-360-A4A (LY)		1A170/CFA7660		76.0			SA4428SW Air Plains				
172I "Skyhawk"			O-360-A4M (LY)		1A170/CFA7660		76.0			SA4428SW Air Plains				
172I "Skyhawk"			O-360-A4N (LY)		1A170/CFA7660		76.0			SA4428SW Air Plains				
172K "Skyhawk"			O-320-E2D (LY)		1C172/MTM7653		76.0	74.0			16 49	2360	2260	
172K "Skyhawk"			O-320-E2D (LY)		1C160/CTM7553		75.0	74.0			16 49	2370	2270	
172K "Skyhawk"			O-320-E2D (LY)		1C160/DTM7553		75.0	74.0			49	2370	2270	
172K "Skyhawk"		F	O-320-E2D (LY)		1A175/ATM8042		80.0	78.4			16 49	2480	2380	
172K "Skyhawk"		F	O-320-E2D (LY)		1A175/ETM8042		80.0	78.4			49	2480	2380	
172K "Skyhawk"		F	O-360 (LY)		1A200/DFA					SA332GL Penn Yan Aero				
172K "Skyhawk"			O-360-A2F (LY)		1A170/CFA7660		76.0			SA4428SW Air Plains				
172K "Skyhawk"			O-360-A3A (LY)		1A170/CFA7660		76.0			SA4428SW Air Plains				
172K "Skyhawk"			O-360-A4A (LY)		1A170/CFA7660		76.0			SA4428SW Air Plains				
172K "Skyhawk"			O-360-A4M (LY)		1A170/CFA7660		76.0			SA4428SW Air Plains				
172K "Skyhawk"			O-360-A4N (LY)		1A170/CFA7660		76.0			SA4428SW Air Plains				
172L "Skyhawk"			O-320-E2D (LY)		1C172/MTM7653		76.0	74.0			16 49	2360	2260	
172L "Skyhawk"			O-320-E2D (LY)		1C160/CTM7553		75.0	74.0			16 49	2370	2270	
172L "Skyhawk"			O-320-E2D (LY)		1C160/DTM7553		75.0	74.0			49	2370	2270	
172L "Skyhawk"		F	O-320-E2D (LY)		1A175/ATM8042		80.0	78.4			16 49	2480	2380	
172L "Skyhawk"		F	O-320-E2D (LY)		1A175/ETM8042		80.0	78.4			49	2480	2380	

Fixed Pitch Applications

Aircraft		T Y P E	Engine Model (Make)	Climb	Propeller Model			Diameter		McCauley	STC	Notes	static rpm	
Model	Standard				Cruise	max	min	Spinner	Number	max	min			
172L "Skyhawk"		F	O-360 (LY)		1A200/DFA					SA332GL Penn Yan Aero				
172L "Skyhawk"			O-360-A2F (LY)		1A170/CFA7660		76.0			SA4428SW Air Plains				
172L "Skyhawk"			O-360-A3A (LY)		1A170/CFA7660		76.0			SA4428SW Air Plains				
172L "Skyhawk"			O-360-A4A (LY)		1A170/CFA7660		76.0			SA4428SW Air Plains				
172L "Skyhawk"			O-360-A4M (LY)		1A170/CFA7660		76.0			SA4428SW Air Plains				
172L "Skyhawk"			O-360-A4N (LY)		1A170/CFA7660		76.0			SA4428SW Air Plains				
172M "Skyhawk"			O-320-E2D (LY)		1C160/CTM7553		75.0	74.0			16 49	2370	2270	
172M "Skyhawk"			O-320-E2D (LY)		1C160/DTM7553		75.0	74.0			49	2370	2270	
172M "Skyhawk"		F	O-320-E2D (LY)		1A175/ATM8042		80.0	78.4			16 49	2480	2380	
172M "Skyhawk"		F	O-320-E2D (LY)		1A175/ETM8042		80.0	78.4			49	2480	2380	
172M "Skyhawk"		F	O-360 (LY)		1A200/DFA					SA332GL Penn Yan Aero				
172M "Skyhawk"			O-360-A2F (LY)		1A170/CFA7660		76.0			SA4428SW Air Plains				
172M "Skyhawk"			O-360-A3A (LY)		1A170/CFA7660		76.0			SA4428SW Air Plains				
172M "Skyhawk"			O-360-A4A (LY)		1A170/CFA7660		76.0			SA4428SW Air Plains				
172M "Skyhawk"			O-360-A4M (LY)		1A170/CFA7660		76.0			SA4428SW Air Plains				
172M "Skyhawk"			O-360-A4N (LY)		1A170/CFA7660		76.0			SA4428SW Air Plains				
172N "Skyhawk"			O-320-H2AD (LY)		1C160/DTM7557		75.0	74.0				2400	2280	
172N "Skyhawk"		F	O-320-H2AD (LY)		1A175/ETM8042		80.0	78.5				2570	2470	
172N "Skyhawk"		F	O-360 (LY)		1A200/DFA					SA332GL Penn Yan Aero				
172N "Skyhawk"			O-360-A2F (LY)		1A170/CFA7660		76.0			SA4428SW Air Plains				

Fixed Pitch Applications

Aircraft		T Y P E	Engine Model (Make)	Climb	Propeller Model			Diameter		McCauley	STC	Notes	static rpm	
Model	Standard				Cruise	max	min	Spinner	Number	max	min			
172N "Skyhawk"			O-360-A3A (LY)		1A170/CFA7660		76.0			SA4428SW Air Plains				
172N "Skyhawk"			O-360-A4A (LY)		1A170/CFA7660		76.0			SA4428SW Air Plains				
172N "Skyhawk"			O-360-A4M (LY)		1A170/CFA7660		76.0			SA4428SW Air Plains				
172N "Skyhawk"			O-360-A4N (LY)		1A170/CFA7660		76.0			SA4428SW Air Plains				
172P "Skyhawk"			O-320-D2J (LY)		1C160/DTM7557		75.0	74.0				2420	2300	
172P "Skyhawk"	F		O-320-D2J (LY)		1A175/ETM8042		80.0	78.5				2570	2470	
172P "Skyhawk"	F		O-360 (LY)		1A200/DFA					SA332GL Penn Yan Aero				
172P "Skyhawk"			O-360-A2F (LY)		1A170/CFA7660		76.0			SA4428SW Air Plains				
172P "Skyhawk"			O-360-A3A (LY)		1A170/CFA7660		76.0			SA4428SW Air Plains				
172P "Skyhawk"			O-360-A4A (LY)		1A170/CFA7660		76.0			SA4428SW Air Plains				
172P "Skyhawk"			O-360-A4M (LY)		1A170/CFA7660		76.0			SA4428SW Air Plains				
172P "Skyhawk"			O-360-A4N (LY)		1A170/CFA7660		76.0			SA4428SW Air Plains				
172Q "Cutlass"			O-360-A4N (LY)		1A170E/JFA7658		76.0	74.5				2450	2350	
172R "Skyhawk"			O-360-A2F (LY)		1A170/CFA7660		76.0			SA4428SW Air Plains				
172R "Skyhawk"			O-360-A3A (LY)		1A170/CFA7660		76.0			SA4428SW Air Plains				
172R "Skyhawk"			O-360-A4A (LY)		1A170/CFA7660		76.0			SA4428SW Air Plains				
172R "Skyhawk"			O-360-A4M (LY)		1A170/CFA7660		76.0			SA4428SW Air Plains				
172R "Skyhawk"			O-360-A4N (LY)		1A170/CFA7660		76.0			SA4428SW Air Plains				
172R "Skyhawk"			IO-360-L2A (LY)		1C235/LFA7570		75.0	74.0				2165	2065	
172R "Skyhawk"			IO-360-L2A (LY)		1A170E/JHA7660		76.0	75.0			19	2400	2300	

Fixed Pitch Applications

Aircraft		T Y P E	Engine Model (Make)	Climb	Propeller Model		Diameter		McCauley	STC		static rpm	
Model	Standard				Cruise	max	min	Spinner	Number	Notes	max	min	
172R "Skyhawk"			IO-360-L2A (LY)		1A170E/JHA7660		76.0	75.5		SA10406SC Alamo	39	2400	2300
172R "Skyhawk"	A F		IO-360-L2A (LY)		1A200/WFA8243	1A200/WFA8244	82.0	82.0		SA00900CH Wipaire	12 44		
172S "Skyhawk"			IO-360-L2A (LY)		1A170E/JHA7660		76.0	75.0				2400	2300
172S "Skyhawk"	A F		IO-360-L2A (LY)		1A200/WFA8243	1A200/WFA8244	82.0	82.0		SA00900CH Wipaire	12		
R172E "USAF T-41C"			IO-360-D (TCM)		1B235/DFC7850		78.0	76.5				2370	2270
R172E "USAF T-41C"			IO-360-DB (TCM)		1B235/DFC7850		78.0	76.5				2370	2270
R172G "USAF T-41C, T-41D"			IO-360-C (TCM)		1B235/DFC7850		78.0	76.5				2370	2270
R172G "USAF T-41C, T-41D"			IO-360-CB (TCM)		1B235/DFC7850		78.0	76.5				2370	2270
R172G "USAF T-41C, T-41D"			IO-360-D (TCM)		1B235/DFC7850		78.0	76.5				2370	2270
R172G "USAF T-41C, T-41D"			IO-360-DB (TCM)		1B235/DFC7850		78.0	76.5				2370	2270
R172H "USAF T-41D"			IO-360-C (TCM)		1B235/DFC7850		78.0	76.5				2370	2270
R172H "USAF T-41D"			IO-360-CB (TCM)		1B235/DFC7850		78.0	76.5				2370	2270
R172H "USAF T-41D"			IO-360-D (TCM)		1B235/DFC7850		78.0	76.5				2370	2270
R172H "USAF T-41D"			IO-360-DB (TCM)		1B235/DFC7850		78.0	76.5				2370	2270
R172H "USAF T-41D"			IO-360-H (TCM)		1B235/DFC7850		78.0	76.5				2370	2270
R172H "USAF T-41D"			IO-360-HB (TCM)		1B235/DFC7850		78.0	76.5				2370	2270
175 "Skylark"			GO-300-A (TCM)		1A175/FC8467		84.0	82.5			16	2740	2640
175 "Skylark"			GO-300-A (TCM)		1B175/MFC8467		84.0	82.5				2645	2545
175 "Skylark"	F		GO-300-A (TCM)		1A175/FC8455		84.0	82.5			16	3000	2900
175 "Skylark"	F		GO-300-A (TCM)		1B175/MFC8455		84.0	82.5				2970	2870

Fixed Pitch Applications

Aircraft		T Y P E	Engine Model (Make)	Climb	Propeller Model			Diameter		McCauley	STC	static rpm	
Model	Standard				Cruise	max	min	Spinner	Number	Notes	max	min	
175 "Skylark"			GO-300-C (TCM)		1A175/FC8467		84.0	82.5			16	2740	2640
175 "Skylark"			GO-300-C (TCM)		1B175/MFC8467		84.0	82.5				2645	2545
175 "Skylark"	F		GO-300-C (TCM)		1A175/FC8455		84.0	82.5			16	3000	2900
175 "Skylark"	F		GO-300-C (TCM)		1B175/MFC8455		84.0	82.5				2970	2870
175A "Skylark"			GO-300-C (TCM)		1B175/MFC8467		84.0	82.5				2645	2545
175A "Skylark"	F		GO-300-C (TCM)		1D200/OM9044		90.0	88.0				2810	2710
175A "Skylark"			GO-300-D (TCM)		1B175/MFC8467		84.0	82.5				2645	2545
175A "Skylark"	F		GO-300-D (TCM)		1D200/OM9044		90.0	88.0				2810	2710
175B "Skylark"			GO-300-C (TCM)		1B175/MFC8467		84.0	82.5				2645	2545
175B "Skylark"	F		GO-300-C (TCM)		1D200/OM9044		90.0	88.0				2810	2710
175B "Skylark"			GO-300-D (TCM)		1B175/MFC8467		84.0	82.5				2645	2545
175B "Skylark"	F		GO-300-D (TCM)		1D200/OM9044		90.0	88.0				2810	2710
177 "Cardinal"			O-320-E2D (LY)		1C172/TM7653		76.0	74.0			1	2360	2260
177A "Cardinal"			O-360-A2F (LY)		1A170/EFA7656		76.0	74.0			1	2460	2360
188 "AGwagon 230"			O-470-R (TCM)		1A200/AOM9044		90.0	88.0			1	2300	2200
188A "AGwagon A,B"			O-470-R (TCM)		1A200/AOM9044		90.0	88.0			1	2300	2200
188B (S/N 18800833 - 18801824) "AGpickup"			O-470-R (TCM)		1A200/AOM9044		90.0	88.0			1	2300	2200
188B (S/N 18801825 and up) "AGpickup"			O-470-S (TCM)		1A200/AOM9044		90.0	88.0			1	2300	2200

CESSNA (REGAL AIR, Inc.)

Fixed Pitch Applications

Aircraft		T Y P E	Engine Model (Make)	Climb	Propeller Model			Diameter		McCauley	STC		static rpm	
Model	Standard				Cruise	max	min	Spinner	Number	Notes	max	min		
305A "Bird Dog" "USAF O-1A, ARMY L-19A-CE"	L F S	O-470-11 (TCM)		1A200/FM9047			90.0	88.25			1	2300	2200	
305A "Bird Dog" "USAF O-1A, ARMY L-19A-CE"	L F S	O-470-11B (TCM)		1A200/FM9047			90.0	88.25			1	2300	2200	
305A "Bird Dog" "USAF O-1A, ARMY L-19A-CE"	L F S	O-470-11 (TCM)		1A200/FM8064			80.0	80.00		SA505SW Stephen Noyes		2050	1950	
305A "Bird Dog" "USAF O-1A, ARMY L-19A-CE"	L F S	O-470-11B (TCM)		1A200/FM8064			80.0	80.00		SA505SW Stephen Noyes		2050	1950	
305C "Bird Dog" "USAF O-1E, ARMY L-19E-CE"	L F S	O-470-11 (TCM)		1A200/FM9047			90.0	88.25			1	2300	2200	
305C "Bird Dog" "USAF O-1E, ARMY L-19E-CE"	L F S	O-470-11B (TCM)		1A200/FM9047			90.0	88.25			1	2300	2200	
305D "Bird Dog, USAF O-1G"	L F S	O-470-11 (TCM)		1A200/FM9047			90.0	88.25			1	2300	2200	
305D "Bird Dog, USAF O-1G"	L F S	O-470-11B (TCM)		1A200/FM9047			90.0	88.25			1	2300	2200	
305F "Bird Dog"	L F S	O-470-11 (TCM)		1A200/FM9047			90.0	88.25			1	2300	2200	
305F "Bird Dog"	L F S	O-470-11B (TCM)		1A200/FM9047			90.0	88.25			1	2300	2200	
CESSNA (REIMS AVIATION S.A.)														
F150G		O-200-A (TCM)		1A100/MCM6950			69.0	67.5			1	2475	2375	
F150G		O-200-A (TCM)		1A101/DCM6950			69.0	67.0			1	2600	2500	
F150H		O-200-A (TCM)		1A100/MCM6950			69.0	67.5			1	2475	2375	
F150H		O-200-A (TCM)		1A101/DCM6950			69.0	67.0			1	2600	2500	
F150J		O-200-A (TCM)		1A100/MCM6950			69.0	67.5			1	2475	2375	
F150J		O-200-A (TCM)		1A101/DCM6950			69.0	67.0			1	2600	2500	
F150K		O-200-A (TCM)		1A100/MCM6950			69.0	67.5			1	2475	2375	
F150K		O-200-A (TCM)		1A101/DCM6950			69.0	67.0			1	2600	2500	
F150K (acrobatic)		O-200-A (TCM)		1A101/DCM6950			69.0	67.0			1	2600	2500	

Fixed Pitch Applications

Aircraft		T Y P E	Engine Model (Make)	Climb	Propeller Model			Diameter		McCauley	STC		static rpm	
Model	Standard				Cruise	max	min	Spinner	Number	Notes	max	min		
F150L (1971, 1972, 1973 models)		O-200-A (TCM)		1A101/GCM6948			69.0	67.0			1 16	2600	2500	
F150L (1973, 1974 models)		O-200-A (TCM)		1A101/HCM6948			69.0	67.0			1 16	2600	2500	
F150L (1974 model)		O-200-A (TCM)		1A101/PCM6948			69.0	67.0			1 16	2600	2500	
F150L (1971 through 1974 models)		O-200-A (TCM)		1A102/OCM6948			69.0	67.5			1	2560	2460	
FA150L (1971, 1972, 1973 models) "Aerobat"		O-200-A (TCM)		1A101/GCM6948			69.0	67.0			1 16	2600	2500	
FA150L (1971, 1972, 1973 models) "Aerobat"		O-200-A (TCM)		1A101/HCM6948			69.0	67.0			1 16	2600	2500	
FA150L (1974 model) "Aerobat"		O-200-A (TCM)		1A102/OCM6948			69.0	67.5			1	2560	2460	
FRA150L "Aerobat"		O-240-A (TCM)		1A135/BRM7150			71.0	70.0			1	2500	2400	
F150M		O-200-A (TCM)		1A102/OCM6948			69.0	67.5			1	2560	2460	
FRA150M "Aerobat"		O-240-A (TCM)		1A135/BRM7150			71.0	70.0			1	2500	2400	
FRA150M (S/N FA00262 and up) "Aerobat"		O-240-E (TCM)		1A135/BRM7150			71.0	70.0			1	2500	2400	
F152 (1978 - 1982 models)		O-235-L2C (LY)		1A103/TCM6958			69.0	67.5			16	2380	2280	
F152 (1983 and up)		O-235-N2C (LY)		1A103/TCM6958			69.0	67.5			16 18	2380	2280	
FA152 (1978 - 1982 models) "Aerobat"		O-235-L2C (LY)		1A103/TCM6958			69.0	67.5			16	2380	2280	
FA152 (1983 and up) "Aerobat"		O-235-N2C (LY)		1A103/TCM6958			69.0	67.5			16 18	2380	2280	
F172D		O-300-D (TCM)	1C172/EM7652	1C172/EM7653	1C172/EM7655		76.0	74.5			1	2420	2230	
F172D	F	O-300-D (TCM)		1A175/SFC8042			80.0	78.4			1	2480	2380	
F172E		O-300-D (TCM)	1C172/EM7652	1C172/EM7653	1C172/EM7655		76.0	74.5			1	2420	2230	
F172E	F	O-300-D (TCM)		1A175/SFC8042			80.0	78.4			1	2480	2380	
F172F		O-300-D (TCM)	1C172/EM7652	1C172/EM7653	1C172/EM7655		76.0	74.5			1	2420	2230	
F172F	F	O-300-D (TCM)		1A175/SFC8042			80.0	78.4			1	2480	2380	
F172G		O-300-D (TCM)	1C172/EM7652	1C172/EM7653	1C172/EM7655		76.0	74.5			1	2420	2230	
F172G	F	O-300-D (TCM)		1A175/SFC8042			80.0	78.4			1	2480	2380	

Fixed Pitch Applications

Aircraft		T Y P E	Engine Model (Make)	Climb	Propeller Model			Diameter		McCauley	STC		static rpm	
Model	Standard				Cruise	max	min	Spinner	Number	Notes	max	min		
F172H			O-300-D (TCM)	1C172/EM7652	1C172/EM7653	1C172/EM7655	76.0	74.5			1	2420	2230	
F172H	F		O-300-D (TCM)		1A175/SFC8042		80.0	78.4			1	2480	2380	
F172K			O-300-C (TCM)	1C172/EM7652	1C172/EM7653	1C172/EM7655	76.0	74.5			1	2420	2230	
F172K			O-300-D (TCM)	1C172/EM7652	1C172/EM7653	1C172/EM7655	76.0	74.5			1	2420	2230	
F172L			O-320-E2D (LY)		1C160/CTM7553		75.0	74.0			1 16	2370	2270	
F172L			O-320-E2D (LY)		1C160/DTM7553		75.0	74.0			1	2370	2270	
F172L	F		O-320-E2D (LY)		1A175/ATM8042		80.0	78.4				2480	2380	
F172M			O-320-E2D (LY)		1C160/CTM7553		75.0	74.0			1 16	2370	2270	
F172M			O-320-E2D (LY)		1C160/DTM7553		75.0	74.0			1	2370	2270	
F172M	F		O-320-E2D (LY)		1A175/ETM8042		80.0	78.5			1	2545	2445	
F172N			O-320-H2AD (LY)		1C160/DTM7557		75.0	74.0				2400	2280	
F172N	F		O-320-H2AD (LY)		1A175/ETM8042		80.0	78.5			1	2570	2470	
F172P			O-320-D2J (LY)		1C160/DTM7557		75.0	74.0			1	2420	2300	
F172P	F		O-320-D2J (LY)		1A175/ETM8042		80.0	78.5			1	2570	2470	
FR172E "Reims Rocket, USAF T-41C"			IO-360-D (TCM)		1B235/DFC7850		78.0	76.5				2370	2270	
FR172G "Reims Rocket, USAF T-41C"			IO-360-C (TCM)		1B235/DFC7850		78.0	76.5				2370	2270	
FR172G "Reims Rocket, USAF T-41C"			IO-360-CB (TCM)		1B235/DFC7850		78.0	76.5				2370	2270	
FR172G "Reims Rocket, USAF T-41C"			IO-360-D (TCM)		1B235/DFC7850		78.0	76.5				2370	2270	
FR172G "Reims Rocket, USAF T-41C"			IO-360-DB (TCM)		1B235/DFC7850		78.0	76.5				2370	2270	
FR172H "Reims Rocket"			IO-360-C (TCM)		1B235/DFC7850		78.0	76.5				2370	2270	
FR172H "Reims Rocket"			IO-360-CB (TCM)		1B235/DFC7850		78.0	76.5				2370	2270	
FR172H "Reims Rocket"			IO-360-D (TCM)		1B235/DFC7850		78.0	76.5				2370	2270	
FR172H "Reims Rocket"			IO-360-DB (TCM)		1B235/DFC7850		78.0	76.5				2370	2270	
FR172H "Reims Rocket"			IO-360-HB (TCM)		1B235/DFC7850		78.0	76.5				2370	2270	
C. ITOH AIRCRAFT MAINTENANCE AND ENGINEERING COMPANY, Ltd.														
N-62			O-320-B2B (LY)		1C172/MGM7654		76.0	76.0				2400	2300	
COMMONWEALTH AIRCRAFT, Inc.														

Fixed Pitch Applications

Aircraft		T Y P E	Engine Model (Make)	Climb	Propeller Model			Diameter		McCauley	STC		static rpm	
Model					Standard	Cruise	max	min	Spinner	Number	Notes	max	min	
185 "Skyranger"			C85-12 (TCM)		1A90/CF7146			71.0	69.5				2320	2220
CUB CRAFTERS, Inc.														
CC18-180			O-360-C4P (LY)	1A200/FA8440	1A200/FA8442	1A200/FA8244		82.0	78.8				22	
CC18-180A			O-360-C4P (LY)	1A200/FA8440	1A200/FA8442	1A200/FA8244		82.0	78.8				22	
CULVER (Superior Aircraft Co.)														
LCA "Cadet"			A-75-8 (TCM)		1A90/CF7045			70.0	68.5				1	2370 2270
LCA "Cadet"			A-75-9 (TCM)		1A90/CF7045			70.0	68.5				1	2370 2270
EAGLE AIRCRAFT (CTRM Aviation Sdn. Bdh.)														
150B			IO-240-B (TCM)		1A135/BRM7057			70.0	69.0				20	2300 2200
150B			IO-240-B (TCM)		1A135/CRM7057			70.0	69.0				21	2300 2200
EMIGH (Edward Scott Kearns)														
A-2 "Trojan"			C85-12F (TCM)		1A90/CF7146			71.0	69.5					2350 2250
A-2 "Trojan"			C85-12F (TCM)		1A90/CF7148			71.0	69.5					2250 2150
A-2 "Trojan"			C90-12F (TCM)		1B90/CM7150			71.0	69.5					2250 2150
FFA (Flugzeugwerke Altenrhein AG)														
AS 202/15 "Bravo"			O-320-E2A (LY)		1C172/MGM7458			74.0	72.5	D-4319				2400 2300
FLS AEROSPACE LIGHT AIRCRAFT Ltd														
FLS Club Sprint			O-235-L2A (LY)		1A135/JCM7153			71.0						
FUJI HEAVY INDUSTRIES														
FA-200-160			O-320-D2A (LY)		1C172/MGM7656			76.0	74.0					2450 2350
FA-200-160			O-320-D2A (LY)		1C172/MGM7662			76.0	74.0					2340 2180
FA-200-180AO			O-360-A5AD (LY)		1A170/EFA7658			76.0	74.0					2480 2320
FUNK AIRCRAFT (Thomas H. McClish)														
B85C			C85-12 (TCM)	1A90/CF7146	1A90/CF7148	1A90/CF7150		71.0	69.5				1	2310 2120
B85C			C90-12F (TCM)		1A90/CF7152	1A90/CF7154		71.0	69.5				1	2250 2140
B85C			C90-12F (TCM)		1B90/CM7153	1B90/CM7155		71.0	69.5				1	2250 2140
GIPPSLAND AERONAUTICS Pty. Ltd.														
GA200			O-540-A1D5 (LY)		1A200/FA8452			84.0	82.3					2450 2350
GA200			O-540-H2A5 (LY)		1A200/FA8452			84.0	82.3					2450 2350
GLOBE (Swift Museum Foundation, Inc.)														
GC-1B "Swift"			C-125-2 (TCM)		1A170/DM7357			73.0	71.5					2050 1950

Fixed Pitch Applications

Aircraft		T Y P E	Engine Model (Make)	Climb	Propeller Model		Diameter		McCauley	STC	Notes	static rpm	
Model					Standard	Cruise	max	min	Spinner	Number		max	min
GC-1B "Swift"			C-125-2 (TCM)		1A170/DM7355		73.0	71.5			1	2180	2080
GREAT LAKES AIRCRAFT COMPANY, LLC.													
2T-1A-1			O-320-E2A (LY)		1C160/EGM7654		76.0	74.5				2350	2250
2T-1A-2			O-320-E2A (LY)		1C160/EGM7654		76.0	74.5				2350	2250
GRUMMAN AMERICAN (Tiger Aircraft, LLC.)													
AA-1 "Yankee"			O-235-C2C (LY)		1A105/SCM7157		71.0	69.5				2300	2150
AA-1 "Yankee"			O-235-C2C (LY)		1A105/SCM7153	1A105/SCM7154	71.0	69.5				2400	2250
AA-1 "Yankee"			O-235-F2B (LY)		1A135/JCM7154		71.0	69.0		SA641NW K. Blackman	43	2300	2200
AA-1 "Yankee"			O-235-F2B (LY)		1A135/JCM7156		71.0	69.0		SA641NW K. Blackman	43	2250	2100
AA-1 "Yankee"			O-235-F2B (LY)		1A135/KCM7154		71.0	69.0		SA641NW K. Blackman	43	2300	2200
AA-1 "Yankee"			O-235-F2B (LY)		1A135/KCM7156		71.0	69.0		SA641NW K. Blackman	43	2250	2100
AA-1 "Yankee"			O-235-J2A (LY)		1A135/JCM7154		71.0	69.0		SA641NW K. Blackman	43	2300	2200
AA-1 "Yankee"			O-235-J2A (LY)		1A135/JCM7156		71.0	69.0		SA641NW K. Blackman	43	2250	2100
AA-1 "Yankee"			O-235-J2A (LY)		1A135/KCM7154		71.0	69.0		SA641NW K. Blackman	43	2300	2200
AA-1 "Yankee"			O-235-J2A (LY)		1A135/KCM7156		71.0	69.0		SA641NW K. Blackman	43	2250	2100
AA-1A "Trainer"			O-235-C2C (LY)		1A105/SCM7157		71.0	69.5				2300	2150
AA-1A "Trainer"			O-235-C2C (LY)		1A105/SCM7153	1A105/SCM7154	71.0	69.5				2400	2250
AA-1A "Trainer"			O-235-F2B (LY)		1A135/JCM7154		71.0	69.0		SA641NW K. Blackman	43	2300	2200
AA-1A "Trainer"			O-235-F2B (LY)		1A135/JCM7156		71.0	69.0		SA641NW K. Blackman	43	2250	2100
AA-1A "Trainer"			O-235-F2B (LY)		1A135/KCM7154		71.0	69.0		SA641NW K. Blackman	43	2300	2200
AA-1A "Trainer"			O-235-F2B (LY)		1A135/KCM7156		71.0	69.0		SA641NW K. Blackman	43	2250	2100
AA-1A "Trainer"			O-235-J2A (LY)		1A135/JCM7154		71.0	69.0		SA641NW K. Blackman	43	2300	2200

Fixed Pitch Applications

Aircraft		T Y P E	Engine Model (Make)	Propeller Model			Diameter		McCaughey	STC		static rpm	
Model	Climb			Standard	Cruise	max	min	Spinner	Number	Notes	max	min	
AA-1A "Trainer"		O-235-J2A (LY)		1A135/JCM7156			71.0	69.0		SA641NW K. Blackman	43	2250	2100
AA-1A "Trainer"		O-235-J2A (LY)		1A135/KCM7154			71.0	69.0		SA641NW K. Blackman	43	2300	2200
AA-1A "Trainer"		O-235-J2A (LY)		1A135/KCM7156			71.0	69.0		SA641NW K. Blackman	43	2250	2100
AA-1B "Trainer"		O-235-C2C (LY)		1A105/SCM7157			71.0	69.5				2300	2150
AA-1B "Trainer"		O-235-C2C (LY)		1A105/SCM7153	1A105/SCM7154		71.0	69.5				2400	2250
AA-1B "Trainer"		O-235-F2B (LY)		1A135/JCM7154			71.0	69.0		SA641NW K. Blackman	43	2300	2200
AA-1B "Trainer"		O-235-F2B (LY)		1A135/JCM7156			71.0	69.0		SA641NW K. Blackman	43	2250	2100
AA-1B "Trainer"		O-235-F2B (LY)		1A135/KCM7154			71.0	69.0		SA641NW K. Blackman	43	2300	2200
AA-1B "Trainer"		O-235-F2B (LY)		1A135/KCM7156			71.0	69.0		SA641NW K. Blackman	43	2250	2100
AA-1B "Trainer"		O-235-J2A (LY)		1A135/JCM7154			71.0	69.0		SA641NW K. Blackman	43	2300	2200
AA-1B "Trainer"		O-235-J2A (LY)		1A135/JCM7156			71.0	69.0		SA641NW K. Blackman	43	2250	2100
AA-1B "Trainer"		O-235-J2A (LY)		1A135/KCM7154			71.0	69.0		SA641NW K. Blackman	43	2300	2200
AA-1B "Trainer"		O-235-J2A (LY)		1A135/KCM7156			71.0	69.0		SA641NW K. Blackman	43	2250	2100
AA-1C "Trainer"		O-235-F2B (LY)		1A135/JCM7154			71.0	69.0		SA641NW K. Blackman	43	2300	2200
AA-1C "Trainer"		O-235-F2B (LY)		1A135/JCM7156			71.0	69.0		SA641NW K. Blackman	43	2250	2100
AA-1C "Trainer"		O-235-F2B (LY)		1A135/KCM7154			71.0	69.0		SA641NW K. Blackman	43	2300	2200
AA-1C "Trainer"		O-235-F2B (LY)		1A135/KCM7156			71.0	69.0		SA641NW K. Blackman	43	2250	2100
AA-1C "Trainer"		O-235-J2A (LY)		1A135/JCM7154			71.0	69.0		SA641NW K. Blackman	43	2300	2200
AA-1C "Trainer"		O-235-J2A (LY)		1A135/JCM7156			71.0	69.0		SA641NW K. Blackman	43	2250	2100
AA-1C "Trainer"		O-235-J2A (LY)		1A135/KCM7154			71.0	69.0		SA641NW K. Blackman	43	2300	2200

Fixed Pitch Applications

Aircraft		T Y P E	Engine Model (Make)	Propeller Model			Diameter		McCaughey	STC		static rpm	
Model	Climb			Standard	Cruise	max	min	Spinner	Number	Notes	max	min	
AA-1C "Trainer"			O-235-J2A (LY)		1A135/KCM7156		71.0	69.0		SA641NW K. Blackman	43	2250	2100
AA-5 "Traveler"			O-320-E2G (LY)		1C172/BTM7359		73.0	71.5				2375	2250
AA-5 "Traveler"			O-320-E2G (LY)		1C172/SBTM7359		73.0	71.5				2375	2250
AA-5 "Traveler"			O-320-E2G (LY)		1C172/BTM7357		73.0	71.5				2348	2250
AA-5 "Traveler"			O-320-E2G (LY)		1C172/SBTM7357		73.0	71.5				2348	2250
AA-5A "Cheetah"			O-320-E2G (LY)		1C172/BTM7359		73.0	71.5				2375	2250
AA-5A "Cheetah"			O-320-E2G (LY)		1C172/SBTM7359		73.0	71.5				2375	2250
AA-5A "Cheetah"			O-320-E2G (LY)		1C172/BTM7357		73.0	71.5				2348	2250
AA-5A "Cheetah"			O-320-E2G (LY)		1C172/SBTM7357		73.0	71.5				2348	2250
AA-5B "Tiger"			O-360-A4K (LY)		1A170/FFA7563		75.0	74.5			31	2325	2175
AA-5B "Tiger"			O-360-A4K (LY)		1A170/KFA7563		75.0	74.5			31	2325	2175
INTERSTATE ENGINEERING & TYPE DESIGN COMPANY, Inc.													
S-1A			A-65-8 (TCM)	1A90/CF7445	1A90/CF7447	1A90/CF7449	74.0	72.0			1	2200	1900
S-1A			A-65-8 (TCM)	1A90/CH7445	1A90/CH7447	1A90/CH7449	74.0	72.0			1 16	2200	1900
S-1A			A-65-8F (TCM)	1A90/CF7445	1A90/CF7447	1A90/CF7449	74.0	72.0			1	2200	1900
S-1A			C90-8F (TCM)	1A90/CF7341	1A90/CF7343		73.0	71.5			1	2375	2275
S-1B2			O-320-A2B (LY)	1A175/GM8241	1A175/GM8242	1A175/GM8244	82.0	78.0				2450	2300
S-1B2			O-320-B2B (LY)	1A175/GM8241	1A175/GM8242	1A175/GM8244	82.0	78.0				2450	2300
JODEL (Avions Jodel)													
D-140-B			O-360-A2A (LY)		1A200/FA8054	1A200/FA8056	80.0	78.5			1	2250	2100
150			O-200-A (TCM)		1A100/MCM6956		70.0	68.0				2400	2300
LARK AVIATION (M.H. Spinks, Sr., formerly Culver)													
Lark 95			C90-12F (TCM)		1B90CM/7048	1B90CM/7050	70.0	69.5			1	2350	2250
Lark 95			C90-16F (TCM)		1B90CM/7048	1B90CM/7050	70.0	69.5			1	2350	2250
LUSCOMBE (The Don Luscombe Aviation History Foundation, Inc.)													
8A	F		A-65-1 (TCM)		1A90/CF7447	1A90/CF7449	74.0	72.5			1 12	2170	2070

Fixed Pitch Applications

Aircraft		TYPE	Engine Model (Make)	Climb	Propeller Model		Diameter		McCauley	STC	Notes	static rpm	
Model	Standard				Cruise	max	min	Spinner	Number	max		min	
8A		F	A-65-1J (TCM)		1A90/CF7447	1A90/CF7449	74.0	72.5			1 12	2170	2070
8A			A-65-3 (TCM)		1A90/CF7447	1A90/CF7449	74.0	72.5			1 24	2145	2045 1940
8A		F	A-65-3 (TCM)		1A90/CF7447	1A90/CF7449	74.0	72.5			1 12	2170	2070
8A			A-65-3J (TCM)		1A90/CF7447	1A90/CF7449	74.0	72.5			1	2145	1940
8A		F	A-65-3J (TCM)		1A90/CF7447	1A90/CF7449	74.0	72.5			1 12	2145	1940
8A		F	A-65-3J (TCM)		1A90/CF7447	1A90/CF7449	74.0	72.5			1 12	2170	2070
8A		F	A-65-6 (TCM)		1A90/CF7447	1A90/CF7449	74.0	72.5			1 12	2170	2070
8A		F	A-65-6J (TCM)		1A90/CF7447	1A90/CF7449	74.0	72.5			1 12	2170	2070
8A			A-65-7 (TCM)		1A90/CF7447	1A90/CF7449	74.0	72.5			1 24	2145	2045 1940
8A		F	A-65-7 (TCM)		1A90/CF7447	1A90/CF7449	74.0	72.5			1 12	2170	2070
8A			A-65-7J (TCM)		1A90/CF7447	1A90/CF7449	74.0	72.5			1	2145	1940
8A		F	A-65-7J (TCM)		1A90/CF7447	1A90/CF7449	74.0	72.5			1 12	2145	1940
8A		F	A-65-7J (TCM)		1A90/CF7447	1A90/CF7449	74.0	72.5			1 12	2170	2070
8A			A-65-8 (TCM)		1A90/CF7447	1A90/CF7449	74.0	72.5			1 24	2145	2045 1940
8A		F	A-65-8 (TCM)		1A90/CF7447	1A90/CF7449	74.0	72.5			1 12	2170	2070
8A			A-65-8F (TCM)		1A90/CF7447	1A90/CF7449	74.0	72.5			1 24	2145	2045 1940
8A		F	A-65-8F (TCM)		1A90/CF7447	1A90/CF7449	74.0	72.5			1 12	2170	2070
8A			A-65-8J (TCM)		1A90/CF7447	1A90/CF7449	74.0	72.5			1	2145	1940
8A		F	A-65-8J (TCM)		1A90/CF7447	1A90/CF7449	74.0	72.5			1 12	2145	1940
8A		F	A-65-8J (TCM)		1A90/CF7447	1A90/CF7449	74.0	72.5			1 12	2170	2070
8A			A-65-8FJ (TCM)		1A90/CF7447	1A90/CF7449	74.0	72.5			1	2145	1940
8A		F	A-65-8FJ (TCM)		1A90/CF7447	1A90/CF7449	74.0	72.5			1 12	2145	1940

Fixed Pitch Applications

Aircraft		TYPE	Engine Model (Make)	Climb	Propeller Model		Diameter		McCauley	STC	Notes	static rpm	
Model	Standard				Cruise	max	min	Spinner	Number	max		min	
8A		F	A-65-8FJ (TCM)		1A90/CF7447	1A90/CF7449	74.0	72.5			1 12	2170	2070
8A			A-65-9 (TCM)		1A90/CF7447	1A90/CF7449	74.0	72.5			1 24	2145	2045 1940
8A		F	A-65-9 (TCM)		1A90/CF7447	1A90/CF7449	74.0	72.5			1 12	2170	2070
8A			A-65-9F (TCM)		1A90/CF7447	1A90/CF7449	74.0	72.5			1 24	2145	2045 1940
8A		F	A-65-9F (TCM)		1A90/CF7447	1A90/CF7449	74.0	72.5			1 12	2170	2070
8A			A-65-9J (TCM)		1A90/CF7447	1A90/CF7449	74.0	72.5			1	2145	1940
8A		F	A-65-9J (TCM)		1A90/CF7447	1A90/CF7449	74.0	72.5			1 12	2145	1940
8A		F	A-65-9J (TCM)		1A90/CF7447	1A90/CF7449	74.0	72.5			1 12	2170	2070
8A			A-65-9FJ (TCM)		1A90/CF7447	1A90/CF7449	74.0	72.5			1	2145	1940
8A		F	A-65-9FJ (TCM)		1A90/CF7447	1A90/CF7449	74.0	72.5			1 12	2145	1940
8A		F	A-65-9FJ (TCM)		1A90/CF7447	1A90/CF7449	74.0	72.5			1 12	2170	2070
8C			A-75-8J (TCM)		1A90/CF7144	1A90/CF7146	71.0	69.5			1	2330	2110
8C		F	A-75-8J (TCM)		1A90/CF7144	1A90/CF7146	71.0	69.5			1	2330	2110
8D			A-75-8 (TCM)		1A90/CF7144	1A90/CF7146	71.0	69.5			1	2330	2110
8D			A-75-8J (TCM)		1A90/CF7144	1A90/CF7146	71.0	69.5			1	2330	2110
8D			A-75-9 (TCM)		1A90/CF7144	1A90/CF7146	71.0	69.5			1	2330	2110
8D			A-75-9J (TCM)		1A90/CF7144	1A90/CF7146	71.0	69.5			1	2330	2110
8E			C85-8F (TCM)		1A90/CF7144	1A90/CF7146	71.0	69.5			1	2255	2000
8E		F	C85-8F (TCM)	1A90/CF7144	1A90/CF7148	1A90/CF7151	71.0	69.5			1 12	2190	2090
8E			C85-12 (TCM)		1A90/CF7144	1A90/CF7146	71.0	69.5			1	2255	2000
8E		F	C85-12 (TCM)	1A90/CF7144	1A90/CF7148	1A90/CF7151	71.0	69.5			1 12	2190	2090
8E			C85-12F (TCM)		1A90/CF7144	1A90/CF7146	71.0	69.5			1	2255	2000
8E		F	C85-12F (TCM)	1A90/CF7144	1A90/CF7148	1A90/CF7151	71.0	69.5			1 12	2190	2090
8E			O-320 (LY)		1C172/MGM7462		74.0	72.5		SA344CE Team Luscombe			
8E			O-320-A1A (LY)		1C172/MGM7462		74.0	72.5		SA344CE Team Luscombe			
8F			C90-8F (TCM)		1B90/CM7154		71.0	69.5			1	2100	2000

Fixed Pitch Applications

Aircraft		T Y P E	Engine Model (Make)	Climb	Propeller Model			Diameter		McCauley	STC		static rpm	
Model	Standard				Cruise	max	min	Spinner	Number	Notes	max	min		
8F		F	C90-8F (TCM)		1B90/CM7347		73.0	70.0			1	2210	2110	
8F			C90-12F (TCM)		1B90/CM7154		71.0	69.5			1	2100	2000	
8F		F	C90-12F (TCM)		1B90/CM7347		73.0	70.0			1	2210	2110	
8F			O-320 (LY)		1C172/MGM7462		74.0	72.5		SA344CE Team Luscombe				
8F			O-320-A1A (LY)		1C172/MGM7462		74.0	72.5		SA344CE Team Luscombe				
T-8F			C90-8F (TCM)		1B90/CM7154		71.0	69.5			1	2100	2000	
T-8F			C90-8F (TCM)		1B90/CM7347		73.0	70.0			1	2350	2250	
T-8F			C90-12F (TCM)		1B90/CM7154		71.0	69.5			1	2100	2000	
T-8F			C90-12F (TCM)		1B90/CM7347		73.0	70.0			1	2350	2250	
T-8F			C90-12FJ (TCM)		1B90/CM7345		72.5	71.5			1	2370	2270	
LUSCOMBE (Quartz Mountain Aerospace, Inc, formerly Luscombe Aircraft Corporation)														
11E			IO-360-ES (TCM)		1B235/EFC7667		76.0	74.0	D-4245		26	2200	2100	
MAULE AEROSPACE TECHNOLOGY, Inc.														
M-4 "BEE DEE" (S/N 3 - 14)			O-300-A (TCM)	1C172/MDM7647	1C172/MDM7652	1C172/MDM7656	76.0	74.5			27 37	2250	2100	
M-4 "BEE DEE" (S/N 3 - 14)			O-300-B (TCM)	1C172/MDM7647	1C172/MDM7652	1C172/MDM7656	76.0	74.5			27 37	2250	2100	
M-4			O-300-A (TCM)		1A170/DM7460		74.0	73.0				2200	2100	
M-4			O-300-B (TCM)		1A170/DM7460		74.0	73.0				2200	2100	
M-4 (S/N 15 -23 and 25 - 45)			O-300-A (TCM)	1C172/MDM7647	1C172/MDM7652	1C172/MDM7656	76.0	74.5			27 37	2250	2100	
M-4 (S/N 15 -23 and 25 - 45)			O-300-B (TCM)	1C172/MDM7647	1C172/MDM7652	1C172/MDM7656	76.0	74.5			27 37	2250	2100	
M-4 (S/N 24, 46 - 94)			O-300-A (TCM)	1C172/MDM7647	1C172/MDM7652	1C172/MDM7656	76.0	74.5			37	2250	2100	
M-4 (S/N 24, 46 - 94)			O-300-B (TCM)	1C172/MDM7647	1C172/MDM7652	1C172/MDM7656	76.0	74.5			37	2250	2100	
M-4C (S/N 1C - 11C)			O-300-A (TCM)	1C172/MDM7647	1C172/MDM7652	1C172/MDM7656	76.0	74.5			37	2250	2100	
M-4C (S/N 1C - 11C)			O-300-B (TCM)	1C172/MDM7647	1C172/MDM7652	1C172/MDM7656	76.0	74.5			37	2250	2100	
M-4C			O-300-A (TCM)		1A170/DM7460		74.0	73.0				2200	2100	

Fixed Pitch Applications

Aircraft		T Y P E	Engine Model (Make)	Propeller Model			Diameter		McCauley	STC		static rpm	
Model	Climb			Standard	Cruise	max	min	Spinner	Number	Notes	max	min	
M-4C			O-300-B (TCM)		1A170/DM7460		74.0	73.0				2200	2100
M-4S (S/N 1S - 3S)			O-300-A (TCM)	1C172/MDM7647	1C172/MDM7652	1C172/MDM7656	76.0	74.5			37	2250	2100
M-4S (S/N 1S - 3S)			O-300-B (TCM)	1C172/MDM7647	1C172/MDM7652	1C172/MDM7656	76.0	74.5			37	2250	2100
M-4S			O-300-A (TCM)		1A170/DM7460		74.0	73.0				2200	2100
M-4S			O-300-B (TCM)		1A170/DM7460		74.0	73.0				2200	2100
M-4T (S/N 1T - 3T)			O-300-A (TCM)	1C172/MDM7647	1C172/MDM7652	1C172/MDM7656	76.0	74.5			37	2250	2100
M-4T (S/N 1T - 3T)			O-300-B (TCM)	1C172/MDM7647	1C172/MDM7652	1C172/MDM7656	76.0	74.5			37	2250	2100
M-4T			O-300-A (TCM)		1A170/DM7460		74.0	73.0				2200	2100
M-4T			O-300-B (TCM)		1A170/DM7460		74.0	73.0				2200	2100
MICCO (formerly Meyers)													
MAC-145			C-145-2 (TCM)		1A170/DM7657		76.0	72.5			1	2230	2110
MONOCOUE Corp.													
90-AL-115			O-235-C1 (LY)		1C90/LM7254	1C90/LM7256	72.0	70.5			1	2200	2150
MOONEY AIRPLANE COMPANY, Inc.													
M20D			O-360-A2D (LY)		1C172/MFA7460		74.0	72.5	D-3339			2460	2360
MORRISEY AVIATION Inc.													
2000C			C90-14F (TCM)		1A90/CF7152	1A90/CF7154	71.0	69.5			1	2250	2150
PIPER AIRCRAFT, Inc													
J3C-65 "ARMY L-4, -4A, -4B, -4H, -4J, NAVY NE-1, -2" "Cub"			A-65-3 (TCM)	1A90/CF7441	1A90/CF7443	1A90/CF7445	74.0	72.5			1	2250	1950
J3C-65 "ARMY L-4, -4A, -4B, -4H, -4J, NAVY NE-1, -2" "Cub"			A-65-3 (TCM)	1B90/CM7441	1B90/CM7443	1B90/CM7445	74.0	72.5			1	2250	1950
J3C-65 "ARMY L-4, -4A, -4B, -4H, -4J, NAVY NE-1, -2" "Cub"			A-65-6 (TCM)	1A90/CF7441	1A90/CF7443	1A90/CF7445	74.0	72.5			1	2250	1950

Fixed Pitch Applications

Aircraft		TYPE	Propeller Model			Diameter		McCauley	STC	Notes	static rpm	
Model	Engine Model (Make)		Climb	Standard	Cruise	max	min	Spinner	Number		max	min
J3C-65 "ARMY L-4, -4A, -4B, -4H, -4J, NAVY NE-1, -2" "Cub"	A-65-6 (TCM)	1B90/CM7441	1B90/CM7443	1B90/CM7445	74.0	72.5			1	2250	1950	
J3C-65 "ARMY L-4, -4A, -4B, -4H, -4J, NAVY NE-1, -2" "Cub"	A-65-7 (TCM)	1A90/CF7441	1A90/CF7443	1A90/CF7445	74.0	72.5			1	2250	1950	
J3C-65 "ARMY L-4, -4A, -4B, -4H, -4J, NAVY NE-1, -2" "Cub"	A-65-7 (TCM)	1B90/CM7441	1B90/CM7443	1B90/CM7445	74.0	72.5			1	2250	1950	
J3C-65 "ARMY L-4, -4A, -4B, -4H, -4J, NAVY NE-1, -2" "Cub"	A-65-8 (TCM)	1A90/CF7441	1A90/CF7443	1A90/CF7445	74.0	72.5			1	2250	1950	
J3C-65 "ARMY L-4, -4A, -4B, -4H, -4J, NAVY NE-1, -2" "Cub"	A-65-8 (TCM)	1B90/CM7441	1B90/CM7443	1B90/CM7445	74.0	72.5			1	2250	1950	
J3C-65 "ARMY L-4, -4A, -4B, -4H, -4J, NAVY NE-1, -2" "Cub"	A-65-8F (TCM)	1A90/CF7441	1A90/CF7443	1A90/CF7445	74.0	72.5			1	2250	1950	
J3C-65 "ARMY L-4, -4A, -4B, -4H, -4J, NAVY NE-1, -2" "Cub"	A-65-8F (TCM)	1B90/CM7441	1B90/CM7443	1B90/CM7445	74.0	72.5			1	2250	1950	
J3C-65 "ARMY L-4, -4A, -4B, -4H, -4J, NAVY NE-1, -2" "Cub"	A-65-9 (TCM)	1A90/CF7441	1A90/CF7443	1A90/CF7445	74.0	72.5			1	2250	1950	
J3C-65 "ARMY L-4, -4A, -4B, -4H, -4J, NAVY NE-1, -2" "Cub"	A-65-9 (TCM)	1B90/CM7441	1B90/CM7443	1B90/CM7445	74.0	72.5			1	2250	1950	
J3C-65 "ARMY L-4, -4A, -4B, -4H, -4J, NAVY NE-1, -2" "Cub"	A-65-14 (TCM)	1A90/CF7441	1A90/CF7443	1A90/CF7445	74.0	72.5			1	2250	1950	

Fixed Pitch Applications

Aircraft		T Y P E	Engine Model (Make)	Propeller Model			Diameter		McCauley	STC	Notes	static rpm	
Model	Climb			Standard	Cruise	max	min	Spinner	Number	max		min	
J3C-65 "ARMY L-4, -4A, -4B, -4H, -4J, NAVY NE-1, -2" "Cub"	A-65-14 (TCM)	1B90/CM7441	1B90/CM7443	1B90/CM7445	74.0	72.5			1	2250	1950		
J3C-65 "ARMY L-4, -4A, -4B, -4H, -4J, NAVY NE-1, -2" "Cub"	A-75-8 (TCM)	1A90/CF7038	1A90/CF7040	1A90/CF7042	70.0	68.5			1	2425	1950		
J3C-65 "ARMY L-4, -4A, -4B, -4H, -4J, NAVY NE-1, -2" "Cub"	A-75-8 (TCM)	1B90/CM7038	1B90/CM7040	1B90/CM7042	70.0	68.5			1	2425	1950		
J3C-65 "ARMY L-4, -4A, -4B, -4H, -4J, NAVY NE-1, -2" "Cub"	A-75-9 (TCM)	1A90/CF7038	1A90/CF7040	1A90/CF7042	70.0	68.5			1	2425	1950		
J3C-65 "ARMY L-4, -4A, -4B, -4H, -4J, NAVY NE-1, -2" "Cub"	A-75-9 (TCM)	1B90/CM7038	1B90/CM7040	1B90/CM7042	70.0	68.5			1	2425	1950		
J3C-65 "ARMY L-4, -4A, -4B, -4H, -4J, NAVY NE-1, -2" "Cub"	C75-8 (TCM)		1A90/CF7449		74.0	72.5			1	2100	2000		
J3C-65 "ARMY L-4, -4A, -4B, -4H, -4J, NAVY NE-1, -2" "Cub"	C75-8 (TCM)		1B90/CM7449		74.0	72.5			1	2100	2000		
J3C-65 "ARMY L-4, -4A, -4B, -4H, -4J, NAVY NE-1, -2" "Cub"	C75-12 (TCM)		1A90/CF7449		74.0	72.5			1	2100	2000		
J3C-65 "ARMY L-4, -4A, -4B, -4H, -4J, NAVY NE-1, -2" "Cub"	C75-12 (TCM)		1B90/CM7449		74.0	72.5			1	2100	2000		
J3C-65 "ARMY L-4, -4A, -4B, -4H, -4J, NAVY NE-1, -2" "Cub"	C85-8 (TCM)	1A90/CF7142	1A90/CF7144	1A90/CF7146	71.0	68.5			1	2550	1950		

Fixed Pitch Applications

Aircraft		T Y P E	Engine Model (Make)	Propeller Model			Diameter		McCauley	STC	Notes	static rpm	
Model	Climb			Standard	Cruise	max	min	Spinner	Number	max		min	
J3C-65 "ARMY L-4, -4A, -4B, -4H, -4J, NAVY NE-1, -2" "Cub"	C85-8 (TCM)	1B90/CM7142	1B90/CM7144	1B90/CM7146	71.0	68.5				1	2550	1950	
J3C-65 "ARMY L-4, -4A, -4B, -4H, -4J, NAVY NE-1, -2" "Cub"	C85-12 (TCM)	1A90/CF7142	1A90/CF7144	1A90/CF7146	71.0	68.5				1	2550	1950	
J3C-65 "ARMY L-4, -4A, -4B, -4H, -4J, NAVY NE-1, -2" "Cub"	C85-12 (TCM)	1B90/CM7142	1B90/CM7144	1B90/CM7146	71.0	68.5				1	2550	1950	
J3C-65 "ARMY L-4, -4A, -4B, -4H, -4J, NAVY NE-1, -2" "Cub"	C90-8F (TCM)		1A90/CF7148		71.0	69.5				1	2300	1950	
J3C-65 "ARMY L-4, -4A, -4B, -4H, -4J, NAVY NE-1, -2" "Cub"	C90-8F (TCM)		1B90/CM7148		71.0	69.5				1	2300	1950	
J3C-65 "ARMY L-4, -4A, -4B, -4H, -4J, NAVY NE-1, -2" "Cub"	O-200-A (TCM)		1A101/DCM						SA7435SW UNIVAIR	1 42			
J3C-65 "ARMY L-4, -4A, -4B, -4H, -4J, NAVY NE-1, -2" "Cub"	O-200-A (TCM)		1A101/DCM6944		69.0				SA107RM Univair	32			
J3C-65S "ARMY L-4, -4A, -4B, -4H, -4J, NAVY NE-1, -2" "Cub"	A-65-3 (TCM)	1A90/CF7441	1A90/CF7443	1A90/CF7445	74.0	72.5				1	2250	2050	
J3C-65S "ARMY L-4, -4A, -4B, -4H, -4J, NAVY NE-1, -2" "Cub"	A-65-3 (TCM)	1B90/CM7441	1B90/CM7443	1B90/CM7445	74.0	72.5				1	2250	2050	
J3C-65S "ARMY L-4, -4A, -4B, -4H, -4J, NAVY NE-1, -2" "Cub"	A-65-6 (TCM)	1A90/CF7441	1A90/CF7443	1A90/CF7445	74.0	72.5				1	2250	2050	

Fixed Pitch Applications

Aircraft Model	TYPE	Engine Model (Make)	Propeller Model			Diameter		McCauley	STC	Notes	static rpm	
			Climb	Standard	Cruise	max	min	Spinner	Number		max	min
J3C-65S "ARMY L-4, -4A, -4B, -4H, -4J, NAVY NE-1, -2" "Cub"		A-65-6 (TCM)	1B90/CM7441	1B90/CM7443	1B90/CM7445	74.0	72.5			1	2250	2050
J3C-65S "ARMY L-4, -4A, -4B, -4H, -4J, NAVY NE-1, -2" "Cub"		A-65-7 (TCM)	1A90/CF7441	1A90/CF7443	1A90/CF7445	74.0	72.5			1	2250	2050
J3C-65S "ARMY L-4, -4A, -4B, -4H, -4J, NAVY NE-1, -2" "Cub"		A-65-7 (TCM)	1B90/CM7441	1B90/CM7443	1B90/CM7445	74.0	72.5			1	2250	2050
J3C-65S "ARMY L-4, -4A, -4B, -4H, -4J, NAVY NE-1, -2" "Cub"		A-65-8 (TCM)	1A90/CF7441	1A90/CF7443	1A90/CF7445	74.0	72.5			1	2250	2050
J3C-65S "ARMY L-4, -4A, -4B, -4H, -4J, NAVY NE-1, -2" "Cub"		A-65-8 (TCM)	1B90/CM7441	1B90/CM7443	1B90/CM7445	74.0	72.5			1	2250	2050
J3C-65S "ARMY L-4, -4A, -4B, -4H, -4J, NAVY NE-1, -2" "Cub"		A-65-8F (TCM)	1A90/CF7441	1A90/CF7443	1A90/CF7445	74.0	72.5			1	2250	2050
J3C-65S "ARMY L-4, -4A, -4B, -4H, -4J, NAVY NE-1, -2" "Cub"		A-65-8F (TCM)	1B90/CM7441	1B90/CM7443	1B90/CM7445	74.0	72.5			1	2250	2050
J3C-65S "ARMY L-4, -4A, -4B, -4H, -4J, NAVY NE-1, -2" "Cub"		A-65-9 (TCM)	1A90/CF7441	1A90/CF7443	1A90/CF7445	74.0	72.5			1	2250	2050
J3C-65S "ARMY L-4, -4A, -4B, -4H, -4J, NAVY NE-1, -2" "Cub"		A-65-9 (TCM)	1B90/CM7441	1B90/CM7443	1B90/CM7445	74.0	72.5			1	2250	2050
J3C-65S "ARMY L-4, -4A, -4B, -4H, -4J, NAVY NE-1, -2" "Cub"		A-65-14 (TCM)	1A90/CF7441	1A90/CF7443	1A90/CF7445	74.0	72.5			1	2250	2050

Fixed Pitch Applications

Aircraft		T Y P E	Engine Model (Make)	Propeller Model			Diameter		McCauley	STC	Notes	static rpm	
Model	Climb			Standard	Cruise	max	min	Spinner	Number	max		min	
J3C-65S "ARMY L-4, -4A, -4B, -4H, -4J, NAVY NE-1, -2" "Cub"		A-65-14 (TCM)	1B90/CM7441	1B90/CM7443	1B90/CM7445	74.0	72.5			1	2250	2050	
J3C-65S "ARMY L-4, -4A, -4B, -4H, -4J, NAVY NE-1, -2" "Cub"		A-75-8 (TCM)		1A90/CF7038	1A90/CF7040	70.0	68.5			1	2425	1950	
J3C-65S "ARMY L-4, -4A, -4B, -4H, -4J, NAVY NE-1, -2" "Cub"		A-75-8 (TCM)		1B90/CM7038	1B90/CM7040	70.0	68.5			1	2425	1950	
J3C-65S "ARMY L-4, -4A, -4B, -4H, -4J, NAVY NE-1, -2" "Cub"		A-75-9 (TCM)		1A90/CF7038	1A90/CF7040	70.0	68.5			1	2425	1950	
J3C-65S "ARMY L-4, -4A, -4B, -4H, -4J, NAVY NE-1, -2" "Cub"		A-75-9 (TCM)		1B90/CM7038	1B90/CM7040	70.0	68.5			1	2425	1950	
J3C-65S "ARMY L-4, -4A, -4B, -4H, -4J, NAVY NE-1, -2" "Cub"		C75-8 (TCM)		1A90/CF7447		74.0	72.5			1	2100	2000	
J3C-65S "ARMY L-4, -4A, -4B, -4H, -4J, NAVY NE-1, -2" "Cub"		C75-8 (TCM)		1B90/CM7447		74.0	72.5			1	2100	2000	
J3C-65S "ARMY L-4, -4A, -4B, -4H, -4J, NAVY NE-1, -2" "Cub"		C75-12 (TCM)		1A90/CF7447		74.0	72.5			1	2100	2000	
J3C-65S "ARMY L-4, -4A, -4B, -4H, -4J, NAVY NE-1, -2" "Cub"		C75-12 (TCM)		1B90/CM7447		74.0	72.5			1	2100	2000	
J3C-65S "ARMY L-4, -4A, -4B, -4H, -4J, NAVY NE-1, -2" "Cub"		C85-8 (TCM)		1A90/CF7142		71.0	68.5			1	2550	1950	

Fixed Pitch Applications

Aircraft		T Y P E	Engine Model (Make)	Climb	Propeller Model			Diameter		McCauley	STC	Notes	static rpm	
Model	Standard				Cruise	max	min	Spinner	Number	max	min			
J3C-65S "ARMY L-4, -4A, -4B, -4H, -4J, NAVY NE-1, -2" "Cub"		C85-8 (TCM)		1B90/CM7142			71.0	68.5			1	2550	1950	
J3C-65S "ARMY L-4, -4A, -4B, -4H, -4J, NAVY NE-1, -2" "Cub"		C85-12 (TCM)		1A90/CF7142			71.0	68.5			1	2550	1950	
J3C-65S "ARMY L-4, -4A, -4B, -4H, -4J, NAVY NE-1, -2" "Cub"		C85-12 (TCM)		1B90/CM7142			71.0	68.5			1	2550	1950	
J3C-65S "ARMY L-4, -4A, -4B, -4H, -4J, NAVY NE-1, -2" "Cub"		C90-8F (TCM)		1A90/CF7146			71.0	69.5			1	2300	2100	
J3C-65S "ARMY L-4, -4A, -4B, -4H, -4J, NAVY NE-1, -2" "Cub"		C90-8F (TCM)		1B90/CM7146			71.0	69.5			1	2300	2100	
J3C-65S "ARMY L-4, -4A, -4B, -4H, -4J, NAVY NE-1, -2" "Cub"		O-200-A (TCM)		1A101/DCM						SA7435SW UNIVAIR	1 42			
J4A "Cub Coupe"		A-65-1 (TCM)		1A90/CF7443	1A90/CF7445		74.0	72.5			1	2250	2060	
J4A-S "Cub Coupe"		A-65-1 (TCM)		1A90/CF7443	1A90/CF7445		74.0	72.5			1	2250	2060	
J4A "Cub Coupe"		A-65-3 (TCM)		1A90/CF7443	1A90/CF7445		74.0	72.5			1	2250	2060	
J4A-S "Cub Coupe"		A-65-3 (TCM)		1A90/CF7443	1A90/CF7445		74.0	72.5			1	2250	2060	
J4A "Cub Coupe"		A-65-6 (TCM)		1A90/CF7443	1A90/CF7445		74.0	72.5			1	2250	2060	
J4A-S "Cub Coupe"		A-65-6 (TCM)		1A90/CF7443	1A90/CF7445		74.0	72.5			1	2250	2060	
J4A "Cub Coupe"		A-65-7 (TCM)		1A90/CF7443	1A90/CF7445		74.0	72.5			1	2250	2060	
J4A-S "Cub Coupe"		A-65-7 (TCM)		1A90/CF7443	1A90/CF7445		74.0	72.5			1	2250	2060	

Fixed Pitch Applications

Aircraft		T Y P E	Engine Model (Make)	Climb	Propeller Model		Diameter		McCauley	STC	Notes	static rpm	
Model	Standard				Cruise	max	min	Spinner	Number	max		min	
J4A "Cub Coupe"		A-65-8 (TCM)		1A90/CF7443	1A90/CF7445	74.0	72.5			1	2250	2060	
J4A-S "Cub Coupe"		A-65-8 (TCM)		1A90/CF7443	1A90/CF7445	74.0	72.5			1	2250	2060	
J4A "Cub Coupe"		A-65-9 (TCM)		1A90/CF7443	1A90/CF7445	74.0	72.5			1	2250	2060	
J4A-S "Cub Coupe"		A-65-9 (TCM)		1A90/CF7443	1A90/CF7445	74.0	72.5			1	2250	2060	
J4E "Cub Coupe, ARMY L-4E"		A-75-8 (TCM)		1A90/CF7038		70.0	68.5			1	2440	2340	
J4E "Cub Coupe, ARMY L-4E"		A-75-9 (TCM)		1A90/CF7038		70.0	68.5			1	2440	2340	
J4E "Cub Coupe, ARMY L-4E"		C75-12 (TCM)		1A90/CF7148		71.0	69.5			1	2275	2200	
PIPER (FS 2001 Corp)													
J5A "ARMY L-4F" "Cub Cruiser"		A-75-8 (TCM)		1A90/CF7038		70.0	68.5			1	2440	2340	
J5A "ARMY L-4F" "Cub Cruiser"		C75-8 (TCM)		1A90/CF7449		74.0	72.5			1	2100	2000	
J5A "ARMY L-4F" "Cub Cruiser"		C75-12 (TCM)		1A90/CF7449		74.0	72.5			1	2100	2000	
J5A "ARMY L-4F" "Cub Cruiser"		C85-12 (TCM)	1A90/CF7144	1A90/CF7146	1A90/CF7148	71.0	69.5			1	2430	2170	
J5A "ARMY L-4F" "Cub Cruiser"		C90-8F (TCM)		1A90/CF7347		73.0	71.5			1	2200	2100	
J5A-80 "Cub Cruiser"		C90-8F (TCM)		1A90/CF7347		73.0	71.5			1	2200	2100	
J5B "ARMY L-4G" "Cub Cruiser"		C90-8F (TCM)		1A90/CF7347		73.0	71.5			1	2200	2100	
J5C "Cub Cruiser"		O-235-B (LY)	1C90/LM7246	1C90/LM7249		72.0	70.5			1	2300	2150	
AE-1 "Cub Cruiser"		O-235-B (LY)	1C90/LM7246	1C90/LM7249		72.0	70.5			1	2300	2150	

Fixed Pitch Applications

Aircraft		T Y P E	Engine Model (Make)	Propeller Model			Diameter		McCauley	STC	Notes	static rpm	
Model	Climb			Standard	Cruise	max	min	Spinner	Number	max		min	
HE-1 "Cub Cruiser"		O-235-B (LY)	1C90/LM7246	1C90/LM7249		72.0	70.5			1	2300	2150	
PIPER AIRCRAFT, Inc													
PA-11 "Cub Special"		A-65-3 (TCM)	1A90/CF7441	1A90/CF7443	1A90/CF7445	74.0	72.5			1	2250	1950	
PA-11 "Cub Special"		A-65-3 (TCM)	1B90/CM7441	1B90/CM7443	1B90/CM7445	74.0	72.5			1	2250	1950	
PA-11 "Cub Special"		A-65-6 (TCM)	1A90/CF7441	1A90/CF7443	1A90/CF7445	74.0	72.5			1	2250	1950	
PA-11 "Cub Special"		A-65-6 (TCM)	1B90/CM7441	1B90/CM7443	1B90/CM7445	74.0	72.5			1	2250	1950	
PA-11 "Cub Special"		A-65-8 (TCM)	1A90/CF7441	1A90/CF7443	1A90/CF7445	74.0	72.5			1	2250	1950	
PA-11 "Cub Special"		A-65-8 (TCM)	1B90/CM7441	1B90/CM7443	1B90/CM7445	74.0	72.5			1	2250	1950	
PA-11 "Cub Special"		A-65-9 (TCM)	1A90/CF7441	1A90/CF7443	1A90/CF7445	74.0	72.5			1	2250	1950	
PA-11 "Cub Special"		A-65-9 (TCM)	1B90/CM7441	1B90/CM7443	1B90/CM7445	74.0	72.5			1	2250	1950	
PA-11 "Cub Special"		A-65-14 (TCM)	1A90/CF7441	1A90/CF7443	1A90/CF7445	74.0	72.5			1	2250	1950	
PA-11 "Cub Special"		A-65-14 (TCM)	1B90/CM7441	1B90/CM7443	1B90/CM7445	74.0	72.5			1	2250	1950	
PA-11 "Cub Special"		C85-8FJ (TCM)	1A90/CF7142	1A90/CF7144	1A90/CF7146	71.0	68.5			1	2550	1950	
PA-11 "Cub Special"		C85-8FJ (TCM)	1B90/CM7142	1B90/CM7144	1B90/CM7146	71.0	68.5			1	2550	1950	
PA-11 "Cub Special"		C85-12 (TCM)	1A90/CF7142	1A90/CF7144	1A90/CF7146	71.0	68.5			1	2550	1950	
PA-11 "Cub Special"		C85-12 (TCM)	1B90/CM7142	1B90/CM7144	1B90/CM7146	71.0	68.5			1	2550	1950	
PA-11 "Cub Special"		C90-8F (TCM)		1A90/CF7149		71.0	69.5			1	2350	1950	
PA-11 "Cub Special"		C90-8F (TCM)		1B90/CM7149		71.0	69.5			1	2350	1950	
PA-11 "Cub Special"		O-235-C (LY)		1C90/LM7249		72.0	70.5				2450	2250	
PA-11S "Cub Special"		A-65-3 (TCM)	1A90/CF7441	1A90/CF7443	1A90/CF7445	74.0	72.5			1	2250	2050	

Fixed Pitch Applications

Aircraft		T Y P E	Engine Model (Make)	Propeller Model			Diameter		McCauley	STC		static rpm	
Model	Climb			Standard	Cruise	max	min	Spinner	Number	Notes	max	min	
PA-11S "Cub Special"		A-65-3 (TCM)	1B90/CM7441	1B90/CM7443	1B90/CM7445	74.0	72.5			1	2250	2050	
PA-11S "Cub Special"		A-65-6 (TCM)	1A90/CF7441	1A90/CF7443	1A90/CF7445	74.0	72.5			1	2250	2050	
PA-11S "Cub Special"		A-65-6 (TCM)	1B90/CM7441	1B90/CM7443	1B90/CM7445	74.0	72.5			1	2250	2050	
PA-11S "Cub Special"		A-65-8 (TCM)	1A90/CF7441	1A90/CF7443	1A90/CF7445	74.0	72.5			1	2250	2050	
PA-11S "Cub Special"		A-65-8 (TCM)	1B90/CM7441	1B90/CM7443	1B90/CM7445	74.0	72.5			1	2250	2050	
PA-11S "Cub Special"		A-65-9 (TCM)	1A90/CF7441	1A90/CF7443	1A90/CF7445	74.0	72.5			1	2250	2050	
PA-11S "Cub Special"		A-65-9 (TCM)	1B90/CM7441	1B90/CM7443	1B90/CM7445	74.0	72.5			1	2250	2050	
PA-11S "Cub Special"		A-65-14 (TCM)	1A90/CF7441	1A90/CF7443	1A90/CF7445	74.0	72.5			1	2250	2050	
PA-11S "Cub Special"		A-65-14 (TCM)	1B90/CM7441	1B90/CM7443	1B90/CM7445	74.0	72.5			1	2250	2050	
PA-11S "Cub Special"		C90-8F (TCM)		1A90/CF7146		71.0	69.5			1	2350	2050	
PA-11S "Cub Special"		C90-8F (TCM)		1B90/CM7146		71.0	69.5			1	2350	2050	
PIPER (FS 2003 Corp)													
PA-12 "Super Cruiser"		O-235-C (LY)	1A175/GM8241		1A175/GM8244	82.0				SA02170AK Dan's Acft Repair	36		
PA-12 "Super Cruiser"		O-235-C (LY)	1C90/LM7246	1C90/LM7249		72.0	70.5				1	2500 2100	
PA-12 "Super Cruiser"		O-235-C1 (LY)		1C90/LM7252	1C90/LM7254	72.0	70.5				1	2500 2100	
PA-12 "Super Cruiser"		O-290-D2 (LY)		1A175/GM8241		82.0	78.0			SA444AL Zmuda		2400 2300	
PA-12 "Super Cruiser"		O-320 (LY)	1A175/GM8241	1A175/GM8242		82.0	78.0			SA444AL Zmuda		2450 2350	
PA-12 "Super Cruiser"		O-320 (LY)		1A175/GM8243	1A175/GM8244	82.0	78.0			SA444AL Zmuda		2450 2300	
PA-12 "Super Cruiser"		O-320-A2B (LY)		1A175/GM8246		82.0				SA656AL Crosswinds	40		
PA-12 "Super Cruiser"		O-320-A2B (LY)		1A175/GM8244		82.0				SA566AL Day & Night			

Fixed Pitch Applications

Aircraft		T Y P E	Engine Model (Make)	Propeller Model			Diameter		McCauley	STC	Notes	static rpm	
Model	Climb			Standard	Cruise	max	min	Spinner	Number	max		min	
PA-12 "Super Cruiser"		O-320-B2B (LY)		1A175/GM8246			82.0		SA644AL Crosswinds	40			
PA-12 "Super Cruiser"		O-320-D2A (LY)		1A175/GM8246			82.0		SA644AL Crosswinds	40			
PA-12 "Super Cruiser"		O-320-E2D (LY)		1A175/GM8246			82.0		SA656AL Crosswinds	40			
PA-12 "Super Cruiser"		O-360-A2A (LY)		1A200/DFA8245			82.0		SA553AL Crosswinds				
PA-12S "Super Cruiser"		O-235-C (LY)	1A175/GM8241		1A175/GM8244		82.0		SA02170AK Dan's Acft Repair	36			
PA-12S "Super Cruiser"		O-235-C (LY)		1C90/LM7240			72.0	70.5		1	2500	2350	
PA-12S "Super Cruiser"		O-235-C1 (LY)		1C90/LM7243			72.0	70.5		1	2500	2350	
PA-12S "Super Cruiser"		O-290-D2 (LY)		1A175/GM8241			82.0	78.0	SA444AL Zmuda		2400	2300	
PA-12S "Super Cruiser"		O-320 (LY)	1A175/GM8241	1A175/GM8242			82.0	78.0	SA444AL Zmuda		2450	2350	
PA-12S "Super Cruiser"		O-320 (LY)		1A175/GM8243	1A175/GM8244		82.0	78.0	SA444AL Zmuda		2450	2300	
PA-12S "Super Cruiser"		O-320-A2B (LY)		1A175/GM8244			82.0		SA566AL Day & Night				
PA-12S "Super Cruiser"		O-360-A2A (LY)		1A200/DFA8245			82.0		SA610AL Crosswinds				
PIPER (FS 2002 Corp)													
PA-14 "Family Cruiser"		O-235-C1 (LY)		1C90/LM7254			72.0	70.5		1	2310	2180	
PA-14 "Family Cruiser"		O-235-C1 (LY)	1A175/GM8241		1A175/GM8244		82.0		SA02170AK Dan's Acft Repair	36			
PA-14 "Family Cruiser"		O-290-D2 (LY)		1A175/GM8241			82.0	78.0	SA253AL Borer	33	2400	2300	
PA-14 "Family Cruiser"	F	O-290-D2 (LY)		1A175/GM8241			82.0	78.0	SA253AL Borer	34	2400	2300	
PA-14 "Family Cruiser"		O-320 (LY)		1A175/GM8241			82.0		SA253AL Borer	33			
PA-14 "Family Cruiser"	F	O-320 (LY)		1A175/GM8241			82.0		SA253AL Borer	35			
PA-14 "Family Cruiser"		O-320-A2B (LY)		1A175/GM8246			82.0		SA657AL Crosswinds	40			

Fixed Pitch Applications

Aircraft		T Y P E	Engine Model (Make)	Propeller Model			Diameter		McCaughey	STC	Notes	static rpm	
Model	Climb			Standard	Cruise	max	min	Spinner	Number	max		min	
PA-14 "Family Cruiser"			O-320-B2B (LY)		1A175/GM8246		82.0			SA645AL Crosswinds	40		
PA-14 "Family Cruiser"			O-320-D2A (LY)		1A175/GM8246		82.0			SA645AL Crosswinds	40		
PA-14 "Family Cruiser"			O-320-E2D (LY)		1A175/GM8246		82.0			SA657AL Crosswinds	40		
PA-14 "Family Cruiser"			O-360-A2A (LY)		1A200/DFA8245		82.0			SA541AL Crosswinds			
PIPER AIRCRAFT, Inc													
PA-16 "Clipper"			O-235-C1 (LY)		1C90/LM7254		72.0	70.5			1	2290	2180
PA-17 "Vagabond"			A-65-8 (TCM)		1A90/CF7248		72.0	71.0			1	2250	2150
PA-17 "Vagabond"			A-65-8 (TCM)		1B90/CM7248		72.0	71.0			1	2250	2150
PA-17 "Vagabond"			A-65-8F (TCM)		1A90/CF7248		72.0	71.0			1	2250	2150
PA-17 "Vagabond"			A-65-8F (TCM)		1B90/CM7248		72.0	71.0			1	2250	2150
PA-18 "Super Cub"			C90-8F (TCM)	1B90/CM7146	1B90/CM7150		71.0	69.5			1	2350	2200
PA-18 "Super Cub"			C90-12F (TCM)	1B90/CM7146	1B90/CM7150		71.0	69.5			1	2350	2200
PA-18 "Super Cub"				1A175/GM8241	1A175/GM8242	1A175/GM8244	82.0			SA02170AK Dan's Acft Repair	36		
PA-18 "Super Cub"	L S		O-320 series (LY)	1A175/GM8241	1A175/GM8242		82.0	78.0		SA00562SE Cub Crafters	12 23 41	2450	2350
PA-18 "Super Cub"	F		O-320 series (LY)	1A175/GM8241	1A175/GM8242		82.0	78.0		SA00562SE Cub Crafters	12 23	2550	2450
PA-18 "Super Cub"	L S		O-320 series (LY)		1A175/GM8243	1A175/GM8244	82.0	78.0		SA00562SE Cub Crafters	12 23 45	2450	2300
PA-18 "Super Cub"	F		O-320 series (LY)		1A175/GM8243	1A175/GM8244	82.0	78.0		SA00562SE Cub Crafters	12 23	2550	2400
PA-18 "Super Cub"	L S		O-320 series (LY)	1A175/GM8241	1A175/GM8242		82.0	78.0		SA00562SE Cub Crafters	12 25 46	2500	2400
PA-18 "Super Cub"	F		O-320 series (LY)	1A175/GM8241	1A175/GM8242		82.0	78.0		SA00562SE Cub Crafters	12 25	2600	2500

Fixed Pitch Applications

Aircraft		T Y P E	Engine Model (Make)	Propeller Model			Diameter		McCauley	STC	Notes	static rpm	
Model	Climb			Standard	Cruise	max	min	Spinner	Number	max		min	
PA-18 "Super Cub"	L S	O-320 series (LY)		1A175/GM8243	1A175/GM8244	82.0	78.0		SA00562SE Cub Crafters	12 25 47	2475	2375	
PA-18 "Super Cub"	F	O-320 series (LY)		1A175/GM8243	1A175/GM8244	82.0	78.0		SA00562SE Cub Crafters	12 25	2575	2475	
PA-18 "Super Cub"		O-360 series (LY)	1A200/FA8240	1A200/FA8242	1A200/FA8245	82.0	78.0		SA92NW Cub Crafters Inc.	13 14 30	2450	2300	
PA-18A "Super Cub"	L S	O-320 series (LY)	1A175/GM8241	1A175/GM8242		82.0	78.0		SA00562SE Cub Crafters	12 23 41	2450	2350	
PA-18A "Super Cub"	F	O-320 series (LY)	1A175/GM8241	1A175/GM8242		82.0	78.0		SA00562SE Cub Crafters	12 23	2550	2450	
PA-18A "Super Cub"	L S	O-320 series (LY)		1A175/GM8243	1A175/GM8244	82.0	78.0		SA00562SE Cub Crafters	12 23 45	2450	2300	
PA-18A "Super Cub"	F	O-320 series (LY)		1A175/GM8243	1A175/GM8244	82.0	78.0		SA00562SE Cub Crafters	12 23	2550	2400	
PA-18A "Super Cub"	L S	O-320 series (LY)	1A175/GM8241	1A175/GM8242		82.0	78.0		SA00562SE Cub Crafters	12 25 46	2500	2400	
PA-18A "Super Cub"	F	O-320 series (LY)	1A175/GM8241	1A175/GM8242		82.0	78.0		SA00562SE Cub Crafters	12 25	2600	2500	
PA-18A "Super Cub"	L S	O-320 series (LY)		1A175/GM8243	1A175/GM8244	82.0	78.0		SA00562SE Cub Crafters	12 25 47	2475	2375	
PA-18A "Super Cub"	F	O-320 series (LY)		1A175/GM8243	1A175/GM8244	82.0	78.0		SA00562SE Cub Crafters	12 25	2575	2475	
PA-18A "Super Cub"		O-360 series (LY)	1A200/FA8240	1A200/FA8242	1A200/FA8245	82.0	78.0		SA92NW Cub Crafters Inc.	13 14 30	2450	2300	
PA-18S "Super Cub"	L S	O-320 series (LY)	1A175/GM8241	1A175/GM8242		82.0	78.0		SA00562SE Cub Crafters	12 23 41	2450	2350	
PA-18S "Super Cub"	F	O-320 series (LY)	1A175/GM8241	1A175/GM8242		82.0	78.0		SA00562SE Cub Crafters	12 23	2550	2450	
PA-18S "Super Cub"	L S	O-320 series (LY)		1A175/GM8243	1A175/GM8244	82.0	78.0		SA00562SE Cub Crafters	12 23 45	2450	2300	

Fixed Pitch Applications

Aircraft		T Y P E	Engine Model (Make)	Propeller Model			Diameter		McCauley	STC	Notes	static rpm	
Model	Climb			Standard	Cruise	max	min	Spinner	Number	max		min	
PA-18S "Super Cub"	F	O-320 series (LY)		1A175/GM8243	1A175/GM8244	82.0	78.0		SA00562SE Cub Crafters	12 23	2550	2400	
PA-18S "Super Cub"	L S	O-320 series (LY)	1A175/GM8241	1A175/GM8242		82.0	78.0		SA00562SE Cub Crafters	12 25 46	2500	2400	
PA-18S "Super Cub"	F	O-320 series (LY)	1A175/GM8241	1A175/GM8242		82.0	78.0		SA00562SE Cub Crafters	12 25	2600	2500	
PA-18S "Super Cub"	L S	O-320 series (LY)		1A175/GM8243	1A175/GM8244	82.0	78.0		SA00562SE Cub Crafters	12 25 47	2475	2375	
PA-18S "Super Cub"	F	O-320 series (LY)		1A175/GM8243	1A175/GM8244	82.0	78.0		SA00562SE Cub Crafters	12 25	2575	2475	
PA-18S "Super Cub"		O-360 series (LY)	1A200/FA8240	1A200/FA8242	1A200/FA8245	82.0	78.0		SA92NW Cub Crafters Inc.	13 14 30	2450	2300	
PA-18-105, "SPECIAL" "Super Cub"		O-235-C (LY)		1C90/LM7249		72.0	70.5			1	2300	2200	
PA-18-105, "SPECIAL" "Super Cub"		O-235-C1 (LY)		1C90/LM7252	1C90/LM7254	72.0	70.5			1	2300	2200	
PA-18-105, "SPECIAL" "Super Cub"		O-235-C1 (LY)	1A175/GM8241	1A175/GM8242	1A175/GM8244	82.0			SA02170AK Dan's Acft Repair	36			
PA-18-105, "SPECIAL" "Super Cub"	L S	O-320 series (LY)	1A175/GM8241	1A175/GM8242		82.0	78.0		SA00562SE Cub Crafters	12 23 41	2450	2350	
PA-18-105, "SPECIAL" "Super Cub"	F	O-320 series (LY)	1A175/GM8241	1A175/GM8242		82.0	78.0		SA00562SE Cub Crafters	12 23	2550	2450	
PA-18-105, "SPECIAL" "Super Cub"	L S	O-320 series (LY)		1A175/GM8243	1A175/GM8244	82.0	78.0		SA00562SE Cub Crafters	12 23 45	2450	2300	
PA-18-105, "SPECIAL" "Super Cub"	F	O-320 series (LY)		1A175/GM8243	1A175/GM8244	82.0	78.0		SA00562SE Cub Crafters	12 23	2550	2400	
PA-18-105, "SPECIAL" "Super Cub"	L S	O-320 series (LY)	1A175/GM8241	1A175/GM8242		82.0	78.0		SA00562SE Cub Crafters	12 25 46	2500	2400	
PA-18-105, "SPECIAL" "Super Cub"	F	O-320 series (LY)	1A175/GM8241	1A175/GM8242		82.0	78.0		SA00562SE Cub Crafters	12 25	2600	2500	
PA-18-105, "SPECIAL" "Super Cub"	L S	O-320 series (LY)		1A175/GM8243	1A175/GM8244	82.0	78.0		SA00562SE Cub Crafters	12 25 47	2475	2375	

Fixed Pitch Applications

Aircraft		TYPE	Engine Model (Make)	Propeller Model			Diameter		McCauley	STC		static rpm	
Model	Climb			Standard	Cruise	max	min	Spinner	Number	Notes	max	min	
PA-18-105, "SPECIAL" "Super Cub"	F	O-320 series (LY)		1A175/GM8243	1A175/GM8244	82.0	78.0		SA00562SE Cub Crafters	12 25	2575	2475	
PA-18-105, "SPECIAL" "Super Cub"		O-360 series (LY)	1A200/FA8240	1A200/FA8242	1A200/FA8245	82.0	78.0		SA92NW Cub Crafters Inc.	13 14 30	2450	2300	
PA-18S-105, "SPECIAL" "Super Cub"	L S	O-320 series (LY)	1A175/GM8241	1A175/GM8242		82.0	78.0		SA00562SE Cub Crafters	12 23 41	2450	2350	
PA-18S-105, "SPECIAL" "Super Cub"	F	O-320 series (LY)	1A175/GM8241	1A175/GM8242		82.0	78.0		SA00562SE Cub Crafters	12 23	2550	2450	
PA-18S-105, "SPECIAL" "Super Cub"	L S	O-320 series (LY)		1A175/GM8243	1A175/GM8244	82.0	78.0		SA00562SE Cub Crafters	12 23 45	2450	2300	
PA-18S-105, "SPECIAL" "Super Cub"	F	O-320 series (LY)		1A175/GM8243	1A175/GM8244	82.0	78.0		SA00562SE Cub Crafters	12 23	2550	2400	
PA-18S-105, "SPECIAL" "Super Cub"	L S	O-320 series (LY)	1A175/GM8241	1A175/GM8242		82.0	78.0		SA00562SE Cub Crafters	12 25 46	2500	2400	
PA-18S-105, "SPECIAL" "Super Cub"	F	O-320 series (LY)	1A175/GM8241	1A175/GM8242		82.0	78.0		SA00562SE Cub Crafters	12 25	2600	2500	
PA-18S-105, "SPECIAL" "Super Cub"	L S	O-320 series (LY)		1A175/GM8243	1A175/GM8244	82.0	78.0		SA00562SE Cub Crafters	12 25 47	2475	2375	
PA-18S-105, "SPECIAL" "Super Cub"	F	O-320 series (LY)		1A175/GM8243	1A175/GM8244	82.0	78.0		SA00562SE Cub Crafters	12 25	2575	2475	
PA-18S-105, "SPECIAL" "Super Cub"		O-360 series (LY)	1A200/FA8240	1A200/FA8242	1A200/FA8245	82.0	78.0		SA92NW Cub Crafters Inc.	13 14 30	2450	2300	
PA-18-125 "Super Cub"		O-290-D (LY)		1A170/GM7448	1A170/GM7450	74.0	72.5		SA1-59 McCauley				
PA-18-125 "Super Cub"		O-290-D (LY)	1A175/GM8241	1A175/GM8242	1A175/GM8244	82.0			SA02170AK Dan's Acft Repair	36			
PA-18-125 (LP) "Super Cub"	L S	O-320 series (LY)	1A175/GM8241	1A175/GM8242		82.0	78.0		SA00562SE Cub Crafters	12 23 41	2450	2350	
PA-18-125 (LP) "Super Cub"	F	O-320 series (LY)	1A175/GM8241	1A175/GM8242		82.0	78.0		SA00562SE Cub Crafters	12 23	2550	2450	
PA-18-125 "Super Cub"	L S	O-320 series (LY)		1A175/GM8243	1A175/GM8244	82.0	78.0		SA00562SE Cub Crafters	12 23 45	2450	2300	

Fixed Pitch Applications

Aircraft		T Y P E	Engine Model (Make)	Propeller Model			Diameter		McCauley	STC	Notes	static rpm	
Model	Climb			Standard	Cruise	max	min	Spinner	Number	max		min	
PA-18-125 "Super Cub"		F	O-320 series (LY)		1A175/GM8243	1A175/GM8244	82.0	78.0		SA00562SE Cub Crafters	12 23	2550	2400
PA-18-125 "Super Cub"		L S	O-320 series (LY)	1A175/GM8241	1A175/GM8242		82.0	78.0		SA00562SE Cub Crafters	12 25 46	2500	2400
PA-18-125 "Super Cub"		F	O-320 series (LY)	1A175/GM8241	1A175/GM8242		82.0	78.0		SA00562SE Cub Crafters	12 25	2600	2500
PA-18-125 "Super Cub"		L S	O-320 series (LY)		1A175/GM8243	1A175/GM8244	82.0	78.0		SA00562SE Cub Crafters	12 25 47	2475	2375
PA-18-125 "Super Cub"		F	O-320 series (LY)		1A175/GM8243	1A175/GM8244	82.0	78.0		SA00562SE Cub Crafters	12 25	2575	2475
PA-18-125 "Super Cub"			O-360 series (LY)	1A200/FA8240	1A200/FA8242	1A200/FA8245	82.0	78.0		SA92NW Cub Crafters Inc.	13 14 30	2450	2300
PA-18A-125 "Super Cub"			O-290-D (LY)		1A170/GM7448	1A170/GM7450	74.0	72.5		SA1-59 McCauley			
PA-18AS-125 "Super Cub"			O-290-D (LY)		1A170/GM7446		74.0	72.5		SA1-156 McCauley		2450	2375
PA-18AS-125 "Super Cub"			O-290-D (LY)	1A175/GM8241	1A175/GM8242	1A175/GM8244	82.0			SA02170AK Dan's Acft Repair	36		
PA-18AS-125 "Super Cub"		L S	O-320 series (LY)	1A175/GM8241	1A175/GM8242		82.0	78.0		SA00562SE Cub Crafters	12 23 41	2450	2350
PA-18AS-125 "Super Cub"		F	O-320 series (LY)	1A175/GM8241	1A175/GM8242		82.0	78.0		SA00562SE Cub Crafters	12 23	2550	2450
PA-18AS-125 "Super Cub"		L S	O-320 series (LY)		1A175/GM8243	1A175/GM8244	82.0	78.0		SA00562SE Cub Crafters	12 23 45	2450	2300
PA-18AS-125 "Super Cub"		F	O-320 series (LY)		1A175/GM8243	1A175/GM8244	82.0	78.0		SA00562SE Cub Crafters	12 23	2550	2400
PA-18AS-125 "Super Cub"		L S	O-320 series (LY)	1A175/GM8241	1A175/GM8242		82.0	78.0		SA00562SE Cub Crafters	12 25 46	2500	2400
PA-18AS-125 "Super Cub"		F	O-320 series (LY)	1A175/GM8241	1A175/GM8242		82.0	78.0		SA00562SE Cub Crafters	12 25	2600	2500
PA-18AS-125 "Super Cub"		L S	O-320 series (LY)		1A175/GM8243	1A175/GM8244	82.0	78.0		SA00562SE Cub Crafters	12 25 47	2475	2375

Fixed Pitch Applications

Aircraft		T Y P E	Engine Model (Make)	Propeller Model			Diameter		McCauley	STC		static rpm	
Model	Climb			Standard	Cruise	max	min	Spinner	Number	Notes	max	min	
PA-18AS-125 "Super Cub"		F	O-320 series (LY)		1A175/GM8243	1A175/GM8244	82.0	78.0		SA00562SE Cub Crafters	12 25	2575	2475
PA-18AS-125 "Super Cub"			O-360 series (LY)	1A200/FA8240	1A200/FA8242	1A200/FA8245	82.0	78.0		SA92NW Cub Crafters Inc.	13 14 30	2450	2300
PA-18S-125 "Super Cub"			O-290-D (LY)		1A170/GM7446		74.0	72.5		SA1-156 McCauley		2450	2375
PA-18S-125 "Super Cub"			O-290-D (LY)	1A175/GM8241	1A175/GM8242	1A175/GM8244	82.0			SA02170AK Dan's Acft Repair	36		
PA-18S-125 "Super Cub"		F	O-290-D (LY)		1A175/GM8240		82.0			SA2397WE Univair			
PA-18S-125 "Super Cub"		L S	O-320 series (LY)	1A175/GM8241	1A175/GM8242		82.0	78.0		SA00562SE Cub Crafters	12 23 41	2450	2350
PA-18S-125 "Super Cub"		F	O-320 series (LY)	1A175/GM8241	1A175/GM8242		82.0	78.0		SA00562SE Cub Crafters	12 23	2550	2450
PA-18S-125 "Super Cub"		L S	O-320 series (LY)		1A175/GM8243	1A175/GM8244	82.0	78.0		SA00562SE Cub Crafters	12 23 45	2450	2300
PA-18S-125 "Super Cub"		F	O-320 series (LY)		1A175/GM8243	1A175/GM8244	82.0	78.0		SA00562SE Cub Crafters	12 23	2550	2400
PA-18S-125 "Super Cub"		L S	O-320 series (LY)	1A175/GM8241	1A175/GM8242		82.0	78.0		SA00562SE Cub Crafters	12 25 46	2500	2400
PA-18S-125 "Super Cub"		F	O-320 series (LY)	1A175/GM8241	1A175/GM8242		82.0	78.0		SA00562SE Cub Crafters	12 25	2600	2500
PA-18S-125 "Super Cub"		L S	O-320 series (LY)		1A175/GM8243	1A175/GM8244	82.0	78.0		SA00562SE Cub Crafters	12 25 47	2475	2375
PA-18S-125 "Super Cub"		F	O-320 series (LY)		1A175/GM8243	1A175/GM8244	82.0	78.0		SA00562SE Cub Crafters	12 25	2575	2475
PA-18S-125 "Super Cub"			O-360 series (LY)	1A200/FA8240	1A200/FA8242	1A200/FA8245	82.0	78.0		SA92NW Cub Crafters Inc.	13 14 30	2450	2300
PA-18-135 "Super Cub"			O-290-D2 (LY)		1A170/GM7450	1A170/GM7452	74.0	72.5		SA1-32 SA1-33 McCauley		2350	2150
PA-18-135 "Super Cub"			O-290-D2 (LY)		1A175/GM8241		82.0			SA279AL Borer			

Fixed Pitch Applications

Aircraft		T Y P E	Engine Model (Make)	Propeller Model			Diameter		McCauley	STC	Notes	static rpm	
Model	Climb			Standard	Cruise	max	min	Spinner	Number	max		min	
PA-18-135 "Super Cub"			O-290-D2 (LY)	1A175/GM8241	1A175/GM8242	1A175/GM8244	82.0			SA02170AK Dan's Acft Repair	36		
PA-18-135 "Super Cub"	L S		O-320 series (LY)	1A175/GM8241	1A175/GM8242		82.0	78.0		SA00562SE Cub Crafters	12 23 41	2450	2350
PA-18-135 "Super Cub"	F		O-320 series (LY)	1A175/GM8241	1A175/GM8242		82.0	78.0		SA00562SE Cub Crafters	12 23	2550	2450
PA-18-135 "Super Cub"	L S		O-320 series (LY)		1A175/GM8243	1A175/GM8244	82.0	78.0		SA00562SE Cub Crafters	12 23 45	2450	2300
PA-18-135 "Super Cub"	F		O-320 series (LY)		1A175/GM8243	1A175/GM8244	82.0	78.0		SA00562SE Cub Crafters	12 23	2550	2400
PA-18-135 "Super Cub"	L S		O-320 series (LY)	1A175/GM8241	1A175/GM8242		82.0	78.0		SA00562SE Cub Crafters	12 25 46	2500	2400
PA-18-135 "Super Cub"	F		O-320 series (LY)	1A175/GM8241	1A175/GM8242		82.0	78.0		SA00562SE Cub Crafters	12 25	2600	2500
PA-18-135 "Super Cub"	L S		O-320 series (LY)		1A175/GM8243	1A175/GM8244	82.0	78.0		SA00562SE Cub Crafters	12 25 47	2475	2375
PA-18-135 "Super Cub"	F		O-320 series (LY)		1A175/GM8243	1A175/GM8244	82.0	78.0		SA00562SE Cub Crafters	12 25	2575	2475
PA-18-135 "Super Cub"			O-360 series (LY)	1A200/FA8240	1A200/FA8242	1A200/FA8245	82.0	78.0		SA92NW Cub Crafters Inc.	13 14 30	2450	2300
PA-18A-135 "Super Cub"			O-290-D2 (LY)		1A170/GM7450	1A170/GM7452	74.0	72.5		SA1-32 SA1-33 McCauley		2350	2150
PA-18A-135 "Super Cub"			O-290-D2 (LY)	1A175/GM8241	1A175/GM8242	1A175/GM8244	82.0			SA02170AK Dan's Acft Repair	36		
PA-18A-135 "Super Cub"			O-290-D2 (LY)		1A175/GM8241		82.0			SA279AL Borer			
PA-18A-135 "Super Cub"	L S		O-320 series (LY)	1A175/GM8241	1A175/GM8242		82.0	78.0		SA00562SE Cub Crafters	12 23 41	2450	2350
PA-18A-135 "Super Cub"	F		O-320 series (LY)	1A175/GM8241	1A175/GM8242		82.0	78.0		SA00562SE Cub Crafters	12 23	2550	2450
PA-18A-135 "Super Cub"	L S		O-320 series (LY)		1A175/GM8243	1A175/GM8244	82.0	78.0		SA00562SE Cub Crafters	12 23 45	2450	2300

Fixed Pitch Applications

Aircraft		T Y P E	Engine Model (Make)	Propeller Model			Diameter		McCauley	STC	Notes	static rpm	
Model	Climb			Standard	Cruise	max	min	Spinner	Number	max		min	
PA-18A-135 "Super Cub"		F	O-320 series (LY)		1A175/GM8243	1A175/GM8244	82.0	78.0		SA00562SE Cub Crafters	12 23	2550	2400
PA-18A-135 "Super Cub"		L S	O-320 series (LY)	1A175/GM8241	1A175/GM8242		82.0	78.0		SA00562SE Cub Crafters	12 25 46	2500	2400
PA-18A-135 "Super Cub"		F	O-320 series (LY)	1A175/GM8241	1A175/GM8242		82.0	78.0		SA00562SE Cub Crafters	12 25	2600	2500
PA-18A-135 "Super Cub"		L S	O-320 series (LY)		1A175/GM8243	1A175/GM8244	82.0	78.0		SA00562SE Cub Crafters	12 25 47	2475	2375
PA-18A-135 "Super Cub"		F	O-320 series (LY)		1A175/GM8243	1A175/GM8244	82.0	78.0		SA00562SE Cub Crafters	12 25	2575	2475
PA-18A-135 "Super Cub"			O-360 series (LY)	1A200/FA8240	1A200/FA8242	1A200/FA8245	82.0	78.0		SA92NW Cub Crafters Inc.	13 14 30	2450	2300
PA-18S-135 "Super Cub"			O-290-D2 (LY)		1A170/GM7448		74.0	72.5		SA1-155 McCauley		2375	2275
PA-18S-135 "Super Cub"			O-290-D2 (LY)		1A175/GM8241		82.0			SA279AL Borer			
PA-18S-135 "Super Cub"			O-290-D2 (LY)	1A175/GM8241	1A175/GM8242	1A175/GM8244	82.0			SA02170AK Dan's Acft Repair	36		
PA-18S-135 "Super Cub"		L S	O-320 series (LY)	1A175/GM8241	1A175/GM8242		82.0	78.0		SA00562SE Cub Crafters	12 23 41	2450	2350
PA-18S-135 "Super Cub"		F	O-320 series (LY)	1A175/GM8241	1A175/GM8242		82.0	78.0		SA00562SE Cub Crafters	12 23	2550	2450
PA-18S-135 "Super Cub"		L S	O-320 series (LY)		1A175/GM8243	1A175/GM8244	82.0	78.0		SA00562SE Cub Crafters	12 23 45	2450	2300
PA-18S-135 "Super Cub"		F	O-320 series (LY)		1A175/GM8243	1A175/GM8244	82.0	78.0		SA00562SE Cub Crafters	12 23	2550	2400
PA-18S-135 "Super Cub"		L S	O-320 series (LY)	1A175/GM8241	1A175/GM8242		82.0	78.0		SA00562SE Cub Crafters	12 25 46	2500	2400
PA-18S-135 "Super Cub"		F	O-320 series (LY)	1A175/GM8241	1A175/GM8242		82.0	78.0		SA00562SE Cub Crafters	12 25	2600	2500
PA-18S-135 "Super Cub"		L S	O-320 series (LY)		1A175/GM8243	1A175/GM8244	82.0	78.0		SA00562SE Cub Crafters	12 25 47	2475	2375

Fixed Pitch Applications

Aircraft		T Y P E	Engine Model (Make)	Propeller Model			Diameter		McCauley	STC		static rpm	
Model	Climb			Standard	Cruise	max	min	Spinner	Number	Notes	max	min	
PA-18S-135 "Super Cub"		F	O-320 series (LY)		1A175/GM8243	1A175/GM8244	82.0	78.0		SA00562SE Cub Crafters	12 25	2575	2475
PA-18S-135 "Super Cub"			O-360 series (LY)	1A200/FA8240	1A200/FA8242	1A200/FA8245	82.0	78.0		SA92NW Cub Crafters Inc.	13 14 30	2450	2300
PA-18AS-135 "Super Cub"			O-290-D2 (LY)		1A170/GM7448		74.0	72.5		SA1-155 McCauley		2375	2275
PA-18AS-135 "Super Cub"			O-290-D2 (LY)		1A175/GM8241		82.0			SA279AL Borer			
PA-18AS-135 "Super Cub"			O-290-D2 (LY)	1A175/GM8241	1A175/GM8242	1A175/GM8244	82.0			SA02170AK Dan's Acft Repair	36		
PA-18AS-135 "Super Cub"		L S	O-320 series (LY)	1A175/GM8241	1A175/GM8242		82.0	78.0		SA00562SE Cub Crafters	12 23 41	2450	2350
PA-18AS-135 "Super Cub"		F	O-320 series (LY)	1A175/GM8241	1A175/GM8242		82.0	78.0		SA00562SE Cub Crafters	12 23	2550	2450
PA-18AS-135 "Super Cub"		L S	O-320 series (LY)		1A175/GM8243	1A175/GM8244	82.0	78.0		SA00562SE Cub Crafters	12 23 45	2450	2300
PA-18AS-135 "Super Cub"		F	O-320 series (LY)		1A175/GM8243	1A175/GM8244	82.0	78.0		SA00562SE Cub Crafters	12 23	2550	2400
PA-18AS-135 "Super Cub"		L S	O-320 series (LY)	1A175/GM8241	1A175/GM8242		82.0	78.0		SA00562SE Cub Crafters	12 25 46	2500	2400
PA-18AS-135 "Super Cub"		F	O-320 series (LY)	1A175/GM8241	1A175/GM8242		82.0	78.0		SA00562SE Cub Crafters	12 25	2600	2500
PA-18AS-135 "Super Cub"		L S	O-320 series (LY)		1A175/GM8243	1A175/GM8244	82.0	78.0		SA00562SE Cub Crafters	12 25 47	2475	2375
PA-18AS-135 "Super Cub"		F	O-320 series (LY)		1A175/GM8243	1A175/GM8244	82.0	78.0		SA00562SE Cub Crafters	12 25	2575	2475
PA-18AS-135 "Super Cub"			O-360 series (LY)	1A200/FA8240	1A200/FA8242	1A200/FA8245	82.0	78.0		SA92NW Cub Crafters Inc.	13 14 30	2450	2300
PA-18-150 "Super Cub"		L S	O-320 series (LY)	1A175/GM8241	1A175/GM8242		82.0	78.0		SA00562SE Cub Crafters	12 23 41	2450	2350
PA-18-150 "Super Cub"		F	O-320 series (LY)	1A175/GM8241	1A175/GM8242		82.0	78.0		SA00562SE Cub Crafters	12 23	2550	2450

Fixed Pitch Applications

Aircraft		T Y P E	Engine Model (Make)	Propeller Model			Diameter		McCauley	STC	Notes	static rpm	
Model	Climb			Standard	Cruise	max	min	Spinner	Number	max		min	
PA-18-150 "Super Cub"		L S	O-320 series (LY)		1A175/GM8243	1A175/GM8244	82.0	78.0		SA00562SE Cub Crafters	12 23 45	2450	2300
PA-18-150 "Super Cub"		F	O-320 series (LY)		1A175/GM8243	1A175/GM8244	82.0	78.0		SA00562SE Cub Crafters	12 23	2550	2400
PA-18-150 "Super Cub"		L S	O-320 series (LY)	1A175/GM8241	1A175/GM8242		82.0	78.0		SA00562SE Cub Crafters	12 25 46	2500	2400
PA-18-150 "Super Cub"		F	O-320 series (LY)	1A175/GM8241	1A175/GM8242		82.0	78.0		SA00562SE Cub Crafters	12 25	2600	2500
PA-18-150 "Super Cub"		L S	O-320 series (LY)		1A175/GM8243	1A175/GM8244	82.0	78.0		SA00562SE Cub Crafters	12 25 47	2475	2375
PA-18-150 "Super Cub"		F	O-320 series (LY)		1A175/GM8243	1A175/GM8244	82.0	78.0		SA00562SE Cub Crafters	12 25	2575	2475
PA-18-150 "Super Cub"		L S	O-320 (LY)		1A175/GM8244					SA693AL Crosswinds			
PA-18-150 "Super Cub"			O-320 (LY)	1A175/GM8242	1A175/GM8244	1A175/GM8246	82.0			SA349AL Alaska Propeller			
PA-18-150 "Super Cub"			O-320-A1A (LY)	1A170/GM7450	1A170/GM7452	1A170/GM7454	74.0	72.5		SA1-41 McCauley		2450	2350
PA-18-150 "Super Cub"			O-320-A1A (LY)	1A175/GM8241	1A175/GM8242	1A175/GM8244	82.0			SA279AL Borer	36		
PA-18-150 "Super Cub"			O-320-A1A (LY)	1A175/GM8241	1A175/GM8242	1A175/GM8244	82.0			SA02170AK Dan's Acft Repair	36		
PA-18-150 "Super Cub"		L S	O-320-A2A (LY)		1A175/GM8244					SA693AL Crosswinds			
PA-18-150 "Super Cub"			O-320-A2A (LY)	1A175/GM8242	1A175/GM8244	1A175/GM8246	82.0			SA349AL Alaska Propeller			
PA-18-150 "Super Cub"		L	O-320-A2B (LY)		1A175/GM8244					SA682AL Crosswinds			
PA-18-150 "Super Cub"		L S	O-320-A2B (LY)		1A175/GM8244					SA693AL Crosswinds			
PA-18-150 "Super Cub"			O-320-A2B (LY)	1A175/GM8242	1A175/GM8244	1A175/GM8246	82.0			SA349AL Alaska Propeller			
PA-18-150 "Super Cub"		L	O-320-B2B (LY)		1A175/GM8244					SA682AL Crosswinds			
PA-18-150 "Super Cub"			O-360 series (LY)	1A200/FA8240	1A200/FA8242	1A200/FA8245	82.0	78.0		SA92NW Cub Crafters Inc.	13 14 30	2450	2300

Fixed Pitch Applications

Aircraft		T Y P E	Engine Model (Make)	Propeller Model			Diameter		McCaughey	STC	Notes	static rpm	
Model	Climb			Standard	Cruise	max	min	Spinner	Number	max		min	
PA-18-150 "Super Cub"			O-360-A2A (LY)		1A200/DFA				SA532AL Crosswinds				
PA-18-150 "Super Cub"			O-360-A3A (LY)		1A200/FA8242		82.0		SA00035NY Penn Yan Aero				
PA-18-150 "Super Cub"			O-360-A4A (LY)		1A200/FA8242		82.0		SA00035NY Penn Yan Aero				
PA-18-150 "Super Cub"			O-360-A4M (LY)		1A200/FA8242		82.0		SA00035NY Penn Yan Aero				
PA-18-150 "Super Cub"			O-360-A4P (LY)		1A200/FA8242		82.0		SA00035NY Penn Yan Aero				
PA-18-150 "Super Cub"			O-360-C2A (LY)		1A200/FA8242		82.0		SA00035NY Penn Yan Aero				
PA-18-150 "Super Cub"			O-360-C4P (LY)		1A200/FA8242		82.0		SA00035NY Penn Yan Aero				
PA-18A-150 "Super Cub"		L S	O-320 series (LY)	1A175/GM8241	1A175/GM8242		82.0	78.0	SA00562SE Cub Crafters	12 23 41	2450	2350	
PA-18A-150 "Super Cub"		F	O-320 series (LY)	1A175/GM8241	1A175/GM8242		82.0	78.0	SA00562SE Cub Crafters	12 23	2550	2450	
PA-18A-150 "Super Cub"		L S	O-320 series (LY)		1A175/GM8243	1A175/GM8244	82.0	78.0	SA00562SE Cub Crafters	12 23 45	2450	2300	
PA-18A-150 "Super Cub"		F	O-320 series (LY)		1A175/GM8243	1A175/GM8244	82.0	78.0	SA00562SE Cub Crafters	12 23	2550	2400	
PA-18A-150 "Super Cub"		L S	O-320 series (LY)	1A175/GM8241	1A175/GM8242		82.0	78.0	SA00562SE Cub Crafters	12 25 46	2500	2400	
PA-18A-150 "Super Cub"		F	O-320 series (LY)	1A175/GM8241	1A175/GM8242		82.0	78.0	SA00562SE Cub Crafters	12 25	2600	2500	
PA-18A-150 "Super Cub"		L S	O-320 series (LY)		1A175/GM8243	1A175/GM8244	82.0	78.0	SA00562SE Cub Crafters	12 25 47	2475	2375	
PA-18A-150 "Super Cub"		F	O-320 series (LY)		1A175/GM8243	1A175/GM8244	82.0	78.0	SA00562SE Cub Crafters	12 25	2575	2475	
PA-18A-150 "Super Cub"		L S	O-320 (LY)		1A175/GM8244				SA693AL Crosswinds				
PA-18A-150 "Super Cub"			O-320 (LY)	1A175/GM8242	1A175/GM8244	1A175/GM8246	82.0		SA349AL Alaska Propeller				
PA-18A-150 "Super Cub"			O-320-A1A (LY)	1A170/GM7450	1A170/GM7452	1A170/GM7454	74.0	72.5	SA1-41 McCaughey		2450	2350	

Fixed Pitch Applications

Aircraft		T Y P E	Propeller Model			Diameter		McCauley	STC	Notes	static rpm	
Model	Engine Model (Make)		Climb	Standard	Cruise	max	min	Spinner	Number		max	min
PA-18A-150 "Super Cub"	O-320-A1A (LY)		1A175/GM8241	1A175/GM8242	1A175/GM8244	82.0			SA279AL Borer	36		
PA-18A-150 "Super Cub"	O-320-A1A (LY)		1A175/GM8241	1A175/GM8242	1A175/GM8244	82.0			SA02170AK Dan's Acft Repair	36		
PA-18A-150 "Super Cub"	O-320-A2A (LY)	L S		1A175/GM8244					SA693AL Crosswinds			
PA-18A-150 "Super Cub"	O-320-A2A (LY)		1A175/GM8242	1A175/GM8244	1A175/GM8246	82.0			SA349AL Alaska Propeller			
PA-18A-150 "Super Cub"	O-320-A2B (LY)	L S		1A175/GM8244					SA693AL Crosswinds			
PA-18A-150 "Super Cub"	O-320-A2B (LY)	L		1A175/GM8244					SA682AL Crosswinds			
PA-18A-150 "Super Cub"	O-320-A2B (LY)		1A175/GM8242	1A175/GM8244	1A175/GM8246	82.0			SA349AL Alaska Propeller			
PA-18A-150 "Super Cub"	O-320-B2B (LY)	L		1A175/GM8244					SA682AL Crosswinds			
PA-18A-150 "Super Cub"	O-360 series (LY)		1A200/FA8240	1A200/FA8242	1A200/FA8245	82.0	78.0		SA92NW Cub Crafters Inc.	13 14 30	2450	2300
PA-18A-150 "Super Cub"	O-360-A3A (LY)			1A200/FA8242		82.0			SA00035NY Penn Yan Aero			
PA-18A-150 "Super Cub"	O-360-A4A (LY)			1A200/FA8242		82.0			SA00035NY Penn Yan Aero			
PA-18A-150 "Super Cub"	O-360-A4M (LY)			1A200/FA8242		82.0			SA00035NY Penn Yan Aero			
PA-18A-150 "Super Cub"	O-360-A4P (LY)			1A200/FA8242		82.0			SA00035NY Penn Yan Aero			
PA-18A-150 "Super Cub"	O-360-C2A (LY)			1A200/FA8242		82.0			SA00035NY Penn Yan Aero			
PA-18A-150 "Super Cub"	O-360-C4P (LY)			1A200/FA8242		82.0			SA00035NY Penn Yan Aero			
PA-18S-150 "Super Cub"	O-320 series (LY)	L S	1A175/GM8241	1A175/GM8242		82.0	78.0		SA00562SE Cub Crafters	12 23 41	2450	2350
PA-18S-150 "Super Cub"	O-320 series (LY)	F	1A175/GM8241	1A175/GM8242		82.0	78.0		SA00562SE Cub Crafters	12 23	2550	2450
PA-18S-150 "Super Cub"	O-320 series (LY)	L S		1A175/GM8243	1A175/GM8244	82.0	78.0		SA00562SE Cub Crafters	12 23 45	2450	2300

Fixed Pitch Applications

Aircraft		T Y P E	Engine Model (Make)	Propeller Model			Diameter		McCauley	STC		static rpm	
Model	Climb			Standard	Cruise	max	min	Spinner	Number	Notes	max	min	
PA-18S-150 "Super Cub"		F	O-320 series (LY)		1A175/GM8243	1A175/GM8244	82.0	78.0		SA00562SE Cub Crafters	12 23	2550	2400
PA-18S-150 "Super Cub"		L S	O-320 series (LY)	1A175/GM8241	1A175/GM8242		82.0	78.0		SA00562SE Cub Crafters	12 25 46	2500	2400
PA-18S-150 "Super Cub"		F	O-320 series (LY)	1A175/GM8241	1A175/GM8242		82.0	78.0		SA00562SE Cub Crafters	12 25	2600	2500
PA-18S-150 "Super Cub"		L S	O-320 series (LY)		1A175/GM8243	1A175/GM8244	82.0	78.0		SA00562SE Cub Crafters	12 25 47	2475	2375
PA-18S-150 "Super Cub"		F	O-320 series (LY)		1A175/GM8243	1A175/GM8244	82.0	78.0		SA00562SE Cub Crafters	12 25	2575	2475
PA-18S-150 "Super Cub"			O-320 (LY)	1A175/GM8242	1A175/GM8244	1A175/GM8246	82.0			SA392AL Alaska Propeller			
PA-18S-150 "Super Cub"			O-320-A1A (LY)	1A175/GM8241	1A175/GM8242	1A175/GM8244	82.0			SA279AL Borer	36		
PA-18S-150 "Super Cub"			O-320-A1A (LY)	1A175/GM8241	1A175/GM8242	1A175/GM8244	82.0			SA02170AK Dan's Acft Repair	36		
PA-18S-150 "Super Cub"			O-320-A2A (LY)	1A175/GM8242	1A175/GM8244	1A175/GM8246	82.0			SA392AL Alaska Propeller			
PA-18S-150 "Super Cub"			O-320-A2B (LY)	1A175/GM8242	1A175/GM8244	1A175/GM8246	82.0			SA392AL Alaska Propeller			
PA-18S-150 "Super Cub"			O-360 series (LY)	1A200/FA8240	1A200/FA8242	1A200/FA8245	82.0	78.0		SA92NW Cub Crafters Inc.	13 14 30	2450	2300
PA-18AS-150 "Super Cub"		L S	O-320 series (LY)	1A175/GM8241	1A175/GM8242		82.0	78.0		SA00562SE Cub Crafters	12 23 41	2450	2350
PA-18AS-150 "Super Cub"		F	O-320 series (LY)	1A175/GM8241	1A175/GM8242		82.0	78.0		SA00562SE Cub Crafters	12 23	2550	2450
PA-18AS-150 "Super Cub"		L S	O-320 series (LY)		1A175/GM8243	1A175/GM8244	82.0	78.0		SA00562SE Cub Crafters	12 23 45	2450	2300
PA-18AS-150 "Super Cub"		F	O-320 series (LY)		1A175/GM8243	1A175/GM8244	82.0	78.0		SA00562SE Cub Crafters	12 23	2550	2400
PA-18AS-150 "Super Cub"		L S	O-320 series (LY)	1A175/GM8241	1A175/GM8242		82.0	78.0		SA00562SE Cub Crafters	12 25 46	2500	2400
PA-18AS-150 "Super Cub"		F	O-320 series (LY)	1A175/GM8241	1A175/GM8242		82.0	78.0		SA00562SE Cub Crafters	12 25	2600	2500

Fixed Pitch Applications

Aircraft	T Y P E	Engine Model (Make)	Climb	Propeller Model			Diameter		McCauley	STC	Notes	static rpm	
Model				Standard	Cruise	max	min	Spinner	Number	max		min	
PA-18AS-150 "Super Cub"	L S	O-320 series (LY)		1A175/GM8243	1A175/GM8244	82.0	78.0		SA00562SE Cub Crafters	12 25 47	2475	2375	
PA-18AS-150 "Super Cub"	F	O-320 series (LY)		1A175/GM8243	1A175/GM8244	82.0	78.0		SA00562SE Cub Crafters	12 25	2575	2475	
PA-18AS-150 "Super Cub"		O-320 (LY)	1A175/GM8242	1A175/GM8244	1A175/GM8246	82.0			SA392AL Alaska Propeller				
PA-18AS-150 "Super Cub"		O-320-A1A (LY)	1A175/GM8241	1A175/GM8242	1A175/GM8244	82.0			SA279AL Borer	36			
PA-18AS-150 "Super Cub"		O-320-A1A (LY)	1A175/GM8241	1A175/GM8242	1A175/GM8244	82.0			SA02170AK Dan's Aaft Repair	36			
PA-18AS-150 "Super Cub"		O-320-A2A (LY)	1A175/GM8242	1A175/GM8244	1A175/GM8246	82.0			SA392AL Alaska Propeller				
PA-18AS-150 "Super Cub"		O-320-A2B (LY)	1A175/GM8242	1A175/GM8244	1A175/GM8246	82.0			SA392AL Alaska Propeller				
PA-18AS-150 "Super Cub"		O-360 series (LY)	1A200/FA8240	1A200/FA8242	1A200/FA8245	82.0	78.0		SA92NW Cub Crafters Inc.	13 14 30	2450	2300	
PA-19 "Super Cub, ARMY L-18C"		C90-8F (TCM)	1B90/CM7146	1B90/CM7150		71.0	69.5			1	2350	2200	
PA-19 "Super Cub, ARMY L-18C"		C90-12F (TCM)	1B90/CM7146	1B90/CM7150		71.0	69.5			1	2350	2200	
PA-19 "Super Cub"	L S	O-320 series (LY)	1A175/GM8241	1A175/GM8242		82.0	78.0		SA00562SE Cub Crafters	12 23 41	2450	2350	
PA-19 "Super Cub"	F	O-320 series (LY)	1A175/GM8241	1A175/GM8242		82.0	78.0		SA00562SE Cub Crafters	12 23	2550	2450	
PA-19 "Super Cub"	L S	O-320 series (LY)		1A175/GM8243	1A175/GM8244	82.0	78.0		SA00562SE Cub Crafters	12 23 45	2450	2300	
PA-19 "Super Cub"	F	O-320 series (LY)		1A175/GM8243	1A175/GM8244	82.0	78.0		SA00562SE Cub Crafters	12 23	2550	2400	
PA-19 "Super Cub"	L S	O-320 series (LY)	1A175/GM8241	1A175/GM8242		82.0	78.0		SA00562SE Cub Crafters	12 25 46	2500	2400	
PA-19 "Super Cub"	F	O-320 series (LY)	1A175/GM8241	1A175/GM8242		82.0	78.0		SA00562SE Cub Crafters	12 25	2600	2500	
PA-19 "Super Cub"	L S	O-320 series (LY)		1A175/GM8243	1A175/GM8244	82.0	78.0		SA00562SE Cub Crafters	12 25 47	2475	2375	

Fixed Pitch Applications

Aircraft		T Y P E	Engine Model (Make)	Propeller Model			Diameter		McCauley	STC	Notes	static rpm	
Model	Climb			Standard	Cruise	max	min	Spinner	Number	max		min	
PA-19 "Super Cub"		F	O-320 series (LY)		1A175/GM8243	1A175/GM8244	82.0	78.0		SA00562SE Cub Crafters	12 25	2575	2475
PA-19 "Super Cub, ARMY L-18C"			O-360 series (LY)	1A200/FA8240	1A200/FA8242	1A200/FA8245	82.0	78.0		SA92NW Cub Crafters Inc.	13 14 30	2450	2300
PA-19S "Super Cub"		L S	O-320 series (LY)	1A175/GM8241	1A175/GM8242		82.0	78.0		SA00562SE Cub Crafters	12 23 41	2450	2350
PA-19S "Super Cub"		F	O-320 series (LY)	1A175/GM8241	1A175/GM8242		82.0	78.0		SA00562SE Cub Crafters	12 23	2550	2450
PA-19S "Super Cub"		L S	O-320 series (LY)		1A175/GM8243	1A175/GM8244	82.0	78.0		SA00562SE Cub Crafters	12 23 45	2450	2300
PA-19S "Super Cub"		F	O-320 series (LY)		1A175/GM8243	1A175/GM8244	82.0	78.0		SA00562SE Cub Crafters	12 23	2550	2400
PA-19S "Super Cub"		L S	O-320 series (LY)	1A175/GM8241	1A175/GM8242		82.0	78.0		SA00562SE Cub Crafters	12 25 46	2500	2400
PA-19S "Super Cub"		F	O-320 series (LY)	1A175/GM8241	1A175/GM8242		82.0	78.0		SA00562SE Cub Crafters	12 25	2600	2500
PA-19S "Super Cub"		L S	O-320 series (LY)		1A175/GM8243	1A175/GM8244	82.0	78.0		SA00562SE Cub Crafters	12 25 47	2475	2375
PA-19S "Super Cub"		F	O-320 series (LY)		1A175/GM8243	1A175/GM8244	82.0	78.0		SA00562SE Cub Crafters	12 25	2575	2475
PA-19S "Super Cub, ARMY L-18C"			O-360 series (LY)	1A200/FA8240	1A200/FA8242	1A200/FA8245	82.0	78.0		SA92NW Cub Crafters Inc.	13 14 30	2450	2300
PA-20-115 "Pacer"			O-235-C1 (LY)		1C90/LM7254		72.0	70.5			1	2290	2200
PA-20-115 "Pacer"		F	O-235-C1 (LY)		1C90/LM7254		72.0	70.5			1	2290	2200
PA-20-125 "Pacer"			O-290-D (LY)		1A170/GM7452	1A170/GM7454	74.0	72.5		SA1-89 McCauley		2300	2200
PA-20S-125 "Pacer"			O-290-D (LY)		1A170/GM7450		74.0	72.5		SA1-157 McCauley		2425	2350
PA-20-135 "Pacer"			O-290-D2 (LY)		1A170/GM7453		74.0	72.5		SA1-24 McCauley		2225	2125
PA-20-135 "Pacer"			O-290-D2 (LY)		1A170/GM7455		74.0	72.5		SA1-24 McCauley		2200	2100

Fixed Pitch Applications

Aircraft		T Y P E	Engine Model (Make)	Propeller Model			Diameter		McCaughey	STC	Notes	static rpm	
Model	Climb			Standard	Cruise	max	min	Spinner	Number	max		min	
PA-22-125 "Tri-Pacer"		O-290-D (LY)		1A170/GM7452	1A170/GM7454	74.0	72.5		SA1-90 McCaughey		2300	2200	
PA-22-135 "Tri-Pacer"		O-290-D2 (LY)		1A170/GM7453		74.0	72.5		SA1-23 McCaughey		2225	2125	
PA-22-135 "Tri-Pacer"		O-290-D2 (LY)		1A170/GM7455		74.0	72.5		SA1-23 McCaughey		2200	2100	
PA-22-150 "Tri-Pacer"		O-320 (LY)		1A170/GM7457	1A170/GM7459	74.0	72.5		SA1-22 McCaughey		2275	2175	
PIPER (Lavia Argentina S.A. (LAVIASA))													
PA-25 "Pawnee"		O-320-A1A (LY)		1A170/GM7448		74.0	72.5			1	2575	2475	
PA-25 "Pawnee"		O-320-A2A (LY)		1A170/GM7448		74.0	72.5			1	2575	2475	
PA-25 "Pawnee"		O-320-A2B (LY)		1A170/GM7448		74.0	72.5			1	2575	2475	
PA-25-235 (S/N 25-02, 25-2000 - 25-4171) "Pawnee"		O-540-B2B5 (LY)		1P235/AFA8452		84.0	82.3			1	2500	2400	
PA-25-235 (S/N 25-02, 25-2000 - 25-4171) "Pawnee"		O-540-B2C5 (LY)		1P235/AFA8452		84.0	82.3			1	2500	2400	
PA-25-235 (S/N 25-02, 25-2000 - 25-5521, 25-7305522 - 25-8156024, LA-235-99501 and up "Pawnee"		O-540-B2B5 (LY)		1A200/FA8452		84.0	82.3			1	2350	2250	
PA-25-235 (S/N 25-02, 25-2000 - 25-5521, 25-7305522 - 25-8156024, LA-235-99501 and up "Pawnee"		O-540-B2C5 (LY)		1A200/FA8452		84.0	82.3			1	2350	2250	
PA-25-260 "Pawnee"		O-540-G1A5 (LY)		1A200/FA8452		84.0	82.3			1	2425	2325	
PA-25-260 "Pawnee"		O-540-G2A5 (LY)		1A200/FA8452		84.0	82.3			1	2425	2325	
PIPER AIRCRAFT, Inc													
PA-28-140 "Cherokee Cruiser"		O-320-E2A (LY)	1C172/MGM7456	1C172/MGM7458	1C172/MGM7460	74.0	72.5		SA483CH McCaughey		2425	2275	
PA-28-140 "Cherokee Cruiser"		O-320-E3D (LY)	1C172/MGM7456	1C172/MGM7458	1C172/MGM7460	74.0	72.5		SA483CH McCaughey		2425	2275	

Fixed Pitch Applications

Aircraft		T Y P E	Engine Model (Make)	Propeller Model			Diameter		McCauley	STC	Notes	static rpm	
Model	Climb			Standard	Cruise	max	min	Spinner	Number	max		min	
PA-28-150 "Cherokee"		O-320-A2B (LY)	1C172/MGM7456	1C172/MGM7458	1C172/MGM7460	74.0	72.5		SA483CH McCauley		2425	2275	
PA-28-150 "Cherokee"		O-320-E2A (LY)	1C172/MGM7456	1C172/MGM7458	1C172/MGM7460	74.0	72.5		SA483CH McCauley		2425	2275	
PA-28-151 "Cherokee Warrior"		O-320-E3D (LY)		1C160/EGM7653		76.0	74.5				2400	2300	
PA-28S-160 "Cherokee 160"		O-320-D2A (LY)		1A175/GM7947		79.0	78.0			1 38	2360	2260	
PA-28-180 "Cherokee 180"		O-360-A3A (LY)		1A170/BMS7660		76.0	74.0		SA779NE US Prop of Conn.				
PA-28-180 "Cherokee 180" "Archer"		O-360-A4A (LY)		1A170/BMS7660		76.0	74.0		SA779NE US Prop of Conn.				
PA-28-180 "Archer"		O-360-A4M (LY)		1A170/BMS7660		76.0	74.0		SA779NE US Prop of Conn.				
PA-28S-180 (S/N 28-671 - 28-1760A) "Cherokee 180"		O-360-A3A (LY)		1A200/FA8248		82.0	81.0			28	2190	2140	
PA-28S-180 (S/N 28-671 - 28-1760A) "Cherokee 180"		O-360-A4A (LY)		1A200/FA8248		82.0	81.0			28	2190	2140	
PA-28S-180 (S/N 28-1761 - 28-5859, and 28-7105001 - 28-7105234) "Cherokee 180"		O-360-A3A (LY)		1A200/DFA8248		82.0	81.0			28	2190	2140	
PA-28S-180 (S/N 28-1761 - 28-5859, and 28-7105001 - 28-7105234) "Cherokee 180"		O-360-A4A (LY)		1A200/DFA8248		82.0	81.0			28	2190	2140	
PA-28-181 "Archer II"		O-360-A4A (LY)		1A170/BMS7660		76.0	74.0		SA779NE US Prop of Conn.				
PA-28-181 "Archer II, III"		O-360-A4M (LY)		1A170/BMS7660		76.0	74.0		SA779NE US Prop of Conn.				
PA-28-235 "Cherokee 235"		O-540-B1B5 (LY)		1P235/PFA8069		80.0	78.5			1	2300	2125	

Fixed Pitch Applications

Aircraft		T Y P E	Engine Model (Make)	Climb	Propeller Model			Diameter		McCauley	STC		static rpm	
Model	Standard				Cruise	max	min	Spinner	Number	Notes	max	min		
PA-28-235 "Cherokee 235"		O-540-B2B5 (LY)		1P235/PFA8069			80.0	78.5			1	2300	2125	
PA-28-235 "Cherokee 235"		O-540-B4B5 (LY)		1P235/PFA8069			80.0	78.5			1	2300	2125	
PA-32-260 (S/N 32-1 - 32-1297, and 32-7100001 - 32-7200045) "Cherokee Six 260"		O-540-E4B5 (LY)		1P235/PFA8266			82.0	80.5			1	2480	2270	
RAWDON (Spinks Industries)														
T-1		O-360-A1A (LY)	1A200/FA8241	1A200/FA8243	1A200/FA8245		82.0	80.0			1	2400	2300	
T-1		O-360-A1D (LY)	1A200/FA8241	1A200/FA8243	1A200/FA8245		82.0	80.0			1	2400	2300	
T-1		O-290-C (LY)		1A170/DM7651			76.0	74.5			1	2220	2120	
T-1		O-290-D2 (LY)		1A170/GM7653			76.0	74.5			1	2220	2120	
SME Aero, Inc.														
MD3-160		O-320-D2A (LY)		1C172/AGM7462			74.0	74.0				2400	2250	
S.O.C.A.T.A. - Groupe AEROSPATIALE														
MS 880B "Rallye"		O-200-A (TCM)		1A105/SCM7146			71.0	70.0				2500	2400	
MS 880B "Rallye Club"		O-200-A (TCM)		1A101/DCM6948			69.0	67.0				2500	2400	
MS 885 "Super Rallye"		O-300-A (TCM)	1C172/MDM7652	1C172/MDM7655	1C172/MDM7658		76.0	74.0				2400	2150	
MS 885 "Super Rallye"		O-300-B (TCM)	1C172/MDM7652	1C172/MDM7655	1C172/MDM7658		76.0	74.0				2400	2150	
MS 892A-150 "Commodore"		O-320-E2A (LY)		1C172/MGM7650			76.0	74.0				2510	2410	
MS 892A-150 "Commodore"		O-320-E2A (LY)		1C172/MGM7652			76.0	74.0				2460	2360	
MS 892E-150 "Rallye 150GT"		O-320-E2A (LY)		1C172/MGM7650			76.0	74.0				2510	2410	
MS 892E-150 "Rallye 150GT"		O-320-E2A (LY)		1C172/MGM7652			76.0	74.0				2460	2360	
RALLYE 100S		O-200-A (TCM)		1A101/DCM6948			69.0	67.0				2500	2400	
STINSON (Consolidated Vultee Aircraft Corp, Stinson Division)														
HW-75		A-75-3 (TCM)		1A90/CF7038			70.0	68.5			1	2440	2340	
HW-75		A-75-6 (TCM)		1A90/CF7038			70.0	68.5			1	2440	2340	
HW-75		A-75-8 (TCM)		1A90/CF7038			70.0	68.5			1	2440	2340	
HW-75		A-75-9 (TCM)		1A90/CF7038			70.0	68.5			1	2440	2340	
HW-75		A-80-6 (TCM)	1A90/CF7038	1A90/CF7040			70.0	68.5			1	2440	2340	
HW-75		A-80-6J (TCM)	1A90/CF7038	1A90/CF7040			70.0	68.5			1	2440	2340	

Fixed Pitch Applications

Aircraft		T Y P E	Engine Model (Make)	Propeller Model			Diameter		McCauley	STC		static rpm	
Model	Climb			Standard	Cruise	max	min	Spinner	Number	Notes	max	min	
HW-75			A-80-8 (TCM)	1A90/CF7038	1A90/CF7040		70.0	68.5			1	2440	2340
HW-75			A-80-8J (TCM)	1A90/CF7038	1A90/CF7040		70.0	68.5			1	2440	2340
HW-75			A-80-9 (TCM)	1A90/CF7038	1A90/CF7040		70.0	68.5			1	2440	2340
HW-75			A-80-9J (TCM)	1A90/CF7038	1A90/CF7040		70.0	68.5			1	2440	2340
10			A-75-3 (TCM)		1A90/CF7038		70.0	68.5			1	2440	2340
10			A-75-6 (TCM)		1A90/CF7038		70.0	68.5			1	2440	2340
10			A-75-8 (TCM)		1A90/CF7038		70.0	68.5			1	2440	2340
10			A-75-9 (TCM)		1A90/CF7038		70.0	68.5			1	2440	2340
10			A-80-6 (TCM)	1A90/CF7038	1A90/CF7040		70.0	68.5			1	2440	2340
10			A-80-6J (TCM)	1A90/CF7038	1A90/CF7040		70.0	68.5			1	2440	2340
10			A-80-8 (TCM)	1A90/CF7038	1A90/CF7040		70.0	68.5			1	2440	2340
10			A-80-8J (TCM)	1A90/CF7038	1A90/CF7040		70.0	68.5			1	2440	2340
10			A-80-9 (TCM)	1A90/CF7038	1A90/CF7040		70.0	68.5			1	2440	2340
10			A-80-9J (TCM)	1A90/CF7038	1A90/CF7040		70.0	68.5			1	2440	2340
STINSON (Univair Aircraft Corporation)													
108			6A4-150-B3 (FR)	1A170/DM7649	1A170/DM7652	1A170/DM7654	76.0	74.0			29	2450	2200
108		F	6A4-150-B3 (FR)	1A170/DM7649	1A170/DM7652	1A170/DM7654	76.0	74.0			29	2450	2200
108			6A4-150-B31 (FR)	1A170/DM7649	1A170/DM7652	1A170/DM7654	76.0	74.0			29	2450	2200
108		F	6A4-150-B31 (FR)	1A170/DM7649	1A170/DM7652	1A170/DM7654	76.0	74.0			29	2450	2200
108			6A4-150-B4 (FR)	1A170/SFC7649	1A170/SFC7652	1A170/SFC7654	76.0	74.0			29	2450	2200
108		F	6A4-150-B4 (FR)	1A170/SFC7649	1A170/SFC7652	1A170/SFC7654	76.0	74.0			29	2450	2200
108			6A4-165-B3 (FR)	1A170/DM7649	1A170/DM7652	1A170/DM7654	76.0	74.0			17	2500	2250
108		F	6A4-165-B3 (FR)	1A170/DM7649	1A170/DM7652	1A170/DM7654	76.0	74.0			17	2500	2250
108			6A4-165-B4 (FR)	1A170/SFC7649	1A170/SFC7652	1A170/SFC7654	76.0	74.0			17	2500	2250
108		F	6A4-165-B4 (FR)	1A170/SFC7649	1A170/SFC7652	1A170/SFC7654	76.0	74.0			17	2500	2250
108-1			6A4-150-B3 (FR)	1A170/DM7649	1A170/DM7652	1A170/DM7654	76.0	74.0			29	2450	2200
108-1		F	6A4-150-B3 (FR)	1A170/DM7649	1A170/DM7652	1A170/DM7654	76.0	74.0			29	2450	2200
108-1			6A4-150-B31 (FR)	1A170/DM7649	1A170/DM7652	1A170/DM7654	76.0	74.0			29	2450	2200
108-1		F	6A4-150-B31 (FR)	1A170/DM7649	1A170/DM7652	1A170/DM7654	76.0	74.0			29	2450	2200
108-1			6A4-150-B4 (FR)	1A170/SFC7649	1A170/SFC7652	1A170/SFC7654	76.0	74.0			29	2450	2200
108-1		F	6A4-150-B4 (FR)	1A170/SFC7649	1A170/SFC7652	1A170/SFC7654	76.0	74.0			29	2450	2200
108-1			6A4-165-B3 (FR)	1A170/DM7649	1A170/DM7652	1A170/DM7654	76.0	74.0			17	2500	2250
108-1		F	6A4-165-B3 (FR)	1A170/DM7649	1A170/DM7652	1A170/DM7654	76.0	74.0			17	2500	2250
108-1			6A4-165-B4 (FR)	1A170/SFC7649	1A170/SFC7652	1A170/SFC7654	76.0	74.0			17	2500	2250
108-1		F	6A4-165-B4 (FR)	1A170/SFC7649	1A170/SFC7652	1A170/SFC7654	76.0	74.0			17	2500	2250
108-2			6A4-165-B3 (FR)	1A170/DM7649	1A170/DM7652	1A170/DM7654	76.0	74.0			17	2500	2250
108-2		F	6A4-165-B3 (FR)	1A170/DM7649	1A170/DM7652	1A170/DM7654	76.0	74.0			17	2500	2250
108-2			6A4-165-B4 (FR)	1A170/SFC7649	1A170/SFC7652	1A170/SFC7654	76.0	74.0			17	2500	2250
108-2		F	6A4-165-B4 (FR)	1A170/SFC7649	1A170/SFC7652	1A170/SFC7654	76.0	74.0			17	2500	2250
108-3			6A4-165-B3 (FR)	1A170/DM7649	1A170/DM7652	1A170/DM7654	76.0	74.0			17	2500	2250

Fixed Pitch Applications

Aircraft Model	TYPE	Engine Model (Make)	Climb	Propeller Model			Diameter		McCauley	STC	Notes	static rpm	
				Standard	Cruise		max	min	Spinner	Number		max	min
108-3	F	6A4-165-B3 (FR)		1A170/DM7649			76.0	74.0			17	2500	2400
108-3		6A4-165-B4 (FR)	1A170/SFC7649	1A170/SFC7652	1A170/SFC7654		76.0	74.0			17	2500	2250
108-3	F	6A4-165-B4 (FR)		1A170/SFC7649			76.0	74.0			17	2500	2400
TAYLORCRAFT (Taylorcraft Aviation, LLC)													
BC-65		A-65-1 (TCM)	1A90/CF7443	1A90/CF7445	1A90/CF7447		74.0	72.5			1	2210	1960
BCS-65	F	A-65-1 (TCM)	1A90/CF7442	1A90/CF7443			74.0	72.5			1	2210	2070
BC-65		A-65-3 (TCM)	1A90/CF7443	1A90/CF7445	1A90/CF7447		74.0	72.5			1	2210	1960
BCS-65	F	A-65-3 (TCM)	1A90/CF7442	1A90/CF7443			74.0	72.5			1	2210	2070
BC-65		A-65-3J (TCM)	1A90/CF7443	1A90/CF7445	1A90/CF7447		74.0	72.5			1	2210	1960
BCS-65	F	A-65-3J (TCM)	1A90/CF7442	1A90/CF7443			74.0	72.5			1	2210	2070
BC-65		A-65-7 (TCM)	1A90/CF7443	1A90/CF7445	1A90/CF7447		74.0	72.5			1	2210	1960
BCS-65	F	A-65-7 (TCM)	1A90/CF7442	1A90/CF7443			74.0	72.5			1	2210	2070
BC-65		A-65-7J (TCM)	1A90/CF7443	1A90/CF7445	1A90/CF7447		74.0	72.5			1	2210	1960
BCS-65	F	A-65-7J (TCM)	1A90/CF7442	1A90/CF7443			74.0	72.5			1	2210	2070
BC-65		A-65-8 (TCM)	1A90/CF7443	1A90/CF7445	1A90/CF7447		74.0	72.5			1	2210	1960
BCS-65	F	A-65-8 (TCM)	1A90/CF7442	1A90/CF7443			74.0	72.5			1	2210	2070
BC-65		A-65-8J (TCM)	1A90/CF7443	1A90/CF7445	1A90/CF7447		74.0	72.5			1	2210	1960
BCS-65	F	A-65-8J (TCM)	1A90/CF7442	1A90/CF7443			74.0	72.5			1	2210	2070
BC12-65 "ARMY L-2H"		A-65-7 (TCM)	1A90/CF7441	1A90/CF7443	1A90/CF7445		74.0	72.5			1	2250	2070
BCS12-65 "ARMY L-2H"	F	A-65-7 (TCM)	1A90/CF7441	1A90/CF7443	1A90/CF7445		74.0	72.5			1	2250	2070
BC12-65 "ARMY L-2H"		A-65-7J (TCM)	1A90/CF7441	1A90/CF7443	1A90/CF7445		74.0	72.5			1	2250	2070
BCS12-65 "ARMY L-2H"	F	A-65-7J (TCM)	1A90/CF7441	1A90/CF7443	1A90/CF7445		74.0	72.5			1	2250	2070
BC12-65 "ARMY L-2H"		A-65-8 (TCM)	1A90/CF7441	1A90/CF7443	1A90/CF7445		74.0	72.5			1	2250	2070
BCS12-65 "ARMY L-2H"	F	A-65-8 (TCM)	1A90/CF7441	1A90/CF7443	1A90/CF7445		74.0	72.5			1	2250	2070
BC12-65 "ARMY L-2H"		A-65-8F (TCM)	1A90/CF7441	1A90/CF7443	1A90/CF7445		74.0	72.5			1	2250	2070
BCS12-65 "ARMY L-2H"	F	A-65-8F (TCM)	1A90/CF7441	1A90/CF7443	1A90/CF7445		74.0	72.5			1	2250	2070
BC12-65 "ARMY L-2H"		A-65-8J (TCM)	1A90/CF7441	1A90/CF7443	1A90/CF7445		74.0	72.5			1	2250	2070
BCS12-65 "ARMY L-2H"	F	A-65-8J (TCM)	1A90/CF7441	1A90/CF7443	1A90/CF7445		74.0	72.5			1	2250	2070
BC12-D		A-65-8 (TCM)	1A90/CF7443	1A90/CF7445	1A90/CF7447		74.0	72.5			1	2210	1960
BCS12-D	F	A-65-8 (TCM)	1A90/CF7442	1A90/CF7443			74.0	72.5			1	2210	2070

Fixed Pitch Applications

Aircraft		T Y P E	Engine Model (Make)	Propeller Model			Diameter		McCauley	STC		static rpm	
Model	Climb			Standard	Cruise	max	min	Spinner	Number	Notes	max	min	
BC12-D			A-65-8F (TCM)	1A90/CF7443	1A90/CF7445	1A90/CF7447	74.0	72.5			1	2210	1960
BCS12-D	F		A-65-8F (TCM)	1A90/CF7442	1A90/CF7443		74.0	72.5			1	2210	2070
BC12-D			A-65-8J (TCM)	1A90/CF7443	1A90/CF7445	1A90/CF7447	74.0	72.5			1	2210	1960
BCS12-D	F		A-65-8J (TCM)	1A90/CF7442	1A90/CF7443		74.0	72.5			1	2210	2070
BC12-D1			A-65-8 (TCM)	1A90/CF7443	1A90/CF7445	1A90/CF7447	74.0	72.5			1	2210	1960
BCS12-D1	F		A-65-8 (TCM)	1A90/CF7442	1A90/CF7443		74.0	72.5			1	2210	2070
BC12-D1			A-65-8F (TCM)	1A90/CF7443	1A90/CF7445	1A90/CF7447	74.0	72.5			1	2210	1960
BCS12-D1	F		A-65-8F (TCM)	1A90/CF7442	1A90/CF7443		74.0	72.5			1	2210	2070
BC12-D1			A-65-8J (TCM)	1A90/CF7443	1A90/CF7445	1A90/CF7447	74.0	72.5			1	2210	1960
BCS12-D1	F		A-65-8J (TCM)	1A90/CF7442	1A90/CF7443		74.0	72.5			1	2210	2070
BC12D-85			C85-8F (TCM)	1A90/CF7146	1A90/CF7148	1A90/CF7150	71.0	69.5			1	2350	2170
BCS12D-85	F		C85-8F (TCM)		1A90/CF7144	1A90/CF7146	71.0	69.5			1	2350	2170
BC12-D-4-85			C85-12F (TCM)	1A90/CF7146	1A90/CF7148	1A90/CF7150	71.0	69.5			1	2350	2170
BCS12-D-4-85	F		C85-12F (TCM)		1A90/CF7144	1A90/CF7146	71.0	69.5			1	2350	2170
TAYLORCRAFT (Arizona Aerospace)													
DCO-65 "ARMY L-2A,L-2B,L-2M"			A-65-8 (TCM)		1A90/CF7443		74.0	72.5			1	2250	2070
TAYLORCRAFT (Helio Aircraft Corp.)													
15A "Tourist"			C-145-2 (TCM)		1A170/DM7651		76.0	74.0				2300	2200
TAYLORCRAFT (Taylorcraft Aviation, LLC)													
19			C85-12 (TCM)	1A90/CF7141	1A90/CF7142		71.0	69.5			1	2400	2300
19			C85-12F (TCM)	1A90/CF7141	1A90/CF7142		71.0	69.5			1	2400	2300
F19			O-200-A (TCM)		1A105/SCM6950		69.0	69.0				2550	2450
F19			O-200-A (TCM)		1B90/CM7443		74.0	71.0				2400	2300
THORP (AD Aerospace Inc.)													
T-211 "Skysooter"			O-200-A (TCM)		1A100/MCM6756		67.0	67.0			1 10	2400	2300
UNIVAIR AIRCRAFT CORPORATION (formerly ERCO, Forney, Air Products, Alon, and Mooney)													
415C (ERCO) (S/N 1 - 112) "Ercoupe"			A-65-7 (TCM)	1A90/CF7441	1A90/CF7443	1A90/CF7445	74.0	72.5			1	2260	2110
415C (ERCO) (S/N 1 - 112) "Ercoupe"			A-65-7 (TCM)	1B90/CM7441	1B90/CM7443	1B90/CM7445	74.0	72.5			1	2260	2110
415C (ERCO) (S/N 1 - 112) "Ercoupe"			A-65-8 (TCM)	1A90/CF7441	1A90/CF7443	1A90/CF7445	74.0	72.5			1	2260	2110

Fixed Pitch Applications

Aircraft		TYPE	Propeller Model			Diameter		McCauley	STC		static rpm	
Model	Engine Model (Make)		Climb	Standard	Cruise	max	min	Spinner	Number	Notes	max	min
415C (ERCO) (S/N 1 - 112) "Ercoupe"	A-65-8 (TCM)		1B90/CM7441	1B90/CM7443	1B90/CM7445	74.0	72.5			1	2260	2110
415C (ERCO) (S/N 1 - 112) "Ercoupe"	A-65-9 (TCM)		1A90/CF7441	1A90/CF7443	1A90/CF7445	74.0	72.5			1	2260	2110
415C (ERCO) (S/N 1 - 112) "Ercoupe"	A-65-9 (TCM)		1B90/CM7441	1B90/CM7443	1B90/CM7445	74.0	72.5			1	2260	2110
415C (ERCO) (S/N 1 - 112) "Ercoupe"	A-65-9J (TCM)		1A90/CF7441	1A90/CF7443	1A90/CF7445	74.0	72.5			1	2260	2110
415C (ERCO) (S/N 1 - 112) "Ercoupe"	A-65-9J (TCM)		1B90/CM7441	1B90/CM7443	1B90/CM7445	74.0	72.5			1	2260	2110
415C (ERCO) "Ercoupe"	C75-12 (TCM)			1A90/CF7351		73.0	71.0			1	2100	1950
415C (ERCO) "Ercoupe"	C75-12 (TCM)			1B90/CM7351		73.0	71.0			1	2100	1950
415C (ERCO) "Ercoupe"	C75-12F (TCM)			1A90/CF7351		73.0	71.0			1	2100	1950
415C (ERCO) "Ercoupe"	C75-12F (TCM)			1B90/CM7351		73.0	71.0			1	2100	1950
415C (ERCO) "Ercoupe"	C85-12 (TCM)		1A90/CF7148	1A90/CF7150	1A90/CF7152	71.0	69.5			1	2225	2050
415C (ERCO) "Ercoupe"	C85-12 (TCM)		1B90/CM7148	1B90/CM7150	1B90/CM7152	71.0	69.5			1	2225	2050
415C (ERCO) "Ercoupe"	C85-12F (TCM)		1A90/CF7148	1A90/CF7150	1A90/CF7152	71.0	69.5			1	2225	2050
415C (ERCO) "Ercoupe"	C85-12F (TCM)		1B90/CM7148	1B90/CM7150	1B90/CM7152	71.0	69.5			1	2225	2050
415CD (ERCO) "Ercoupe"	C75-12 (TCM)			1A90/CF7351		73.0	71.0			1	2100	1950
415CD (ERCO) "Ercoupe"	C75-12 (TCM)			1B90/CM7351		73.0	71.0			1	2100	1950
415CD (ERCO) "Ercoupe"	C75-12F (TCM)			1A90/CF7351		73.0	71.0			1	2100	1950
415CD (ERCO) "Ercoupe"	C75-12F (TCM)			1B90/CM7351		73.0	71.0			1	2100	1950

Fixed Pitch Applications

Aircraft		TYPE	Engine Model (Make)	Propeller Model			Diameter		McCauley	STC		static rpm	
Model	Climb			Standard	Cruise	max	min	Spinner	Number	Notes	max	min	
415CD (ERCO) "Ercoupe"		C85-12 (TCM)	1A90/CF7148	1A90/CF7150	1A90/CF7152	71.0	69.5			1	2225	2050	
415CD (ERCO) "Ercoupe"		C85-12 (TCM)	1B90/CM7148	1B90/CM7150	1B90/CM7152	71.0	69.5			1	2225	2050	
415CD (ERCO) "Ercoupe"		C85-12F (TCM)	1A90/CF7148	1A90/CF7150	1A90/CF7152	71.0	69.5			1	2225	2050	
415CD (ERCO) "Ercoupe"		C85-12F (TCM)	1B90/CM7148	1B90/CM7150	1B90/CM7152	71.0	69.5			1	2225	2050	
415D (ERCO) "Ercoupe"		C75-12 (TCM)		1A90/CF7351		73.0	71.5			1	2110	2010	
415D (ERCO) "Ercoupe"		C75-12 (TCM)		1B90/CM7351		73.0	71.5			1	2110	2010	
415D (ERCO) "Ercoupe"		C75-12F (TCM)		1A90/CF7351		73.0	71.5			1	2110	2010	
415D (ERCO) "Ercoupe"		C75-12F (TCM)		1B90/CM7351		73.0	71.5			1	2110	2010	
415D (ERCO) "Ercoupe"		C85-12 (TCM)	1A90/CF7148	1A90/CF7150	1A90/CF7152	71.0	69.5			1	2225	2025	
415D (ERCO) "Ercoupe"		C85-12 (TCM)	1B90/CM7148	1B90/CM7150	1B90/CM7152	71.0	69.5			1	2225	2025	
415D (ERCO) "Ercoupe"		C85-12F (TCM)	1A90/CF7148	1A90/CF7150	1A90/CF7152	71.0	69.5			1	2225	2025	
415D (ERCO) "Ercoupe"		C85-12F (TCM)	1B90/CM7148	1B90/CM7150	1B90/CM7152	71.0	69.5			1	2225	2025	
415E (ERCO) "Ercoupe"		C85-12 (TCM)	1A90/CF7148	1A90/CF7150	1A90/CF7152	71.0	69.5			1	2225	2025	
415E (ERCO) "Ercoupe"		C85-12 (TCM)	1B90/CM7148	1B90/CM7150	1B90/CM7152	71.0	69.5			1	2225	2025	
415E (ERCO) "Ercoupe"		C85-12F (TCM)	1A90/CF7148	1A90/CF7150	1A90/CF7152	71.0	69.5			1	2225	2025	
415E (ERCO) "Ercoupe"		C85-12F (TCM)	1B90/CM7148	1B90/CM7150	1B90/CM7152	71.0	69.5			1	2225	2025	
415G (ERCO) "Ercoupe"		C85-12 (TCM)	1A90/CF7148	1A90/CF7150	1A90/CF7152	71.0	69.5			1	2225	2025	
415G (ERCO) "Ercoupe"		C85-12 (TCM)	1B90/CM7148	1B90/CM7150	1B90/CM7152	71.0	69.5			1	2225	2025	
415G (ERCO) "Ercoupe"		C85-12F (TCM)	1A90/CF7148	1A90/CF7150	1A90/CF7152	71.0	69.5			1	2225	2025	
415G (ERCO) "Ercoupe"		C85-12F (TCM)	1B90/CM7148	1B90/CM7150	1B90/CM7152	71.0	69.5			1	2225	2025	

Fixed Pitch Applications

Aircraft		T Y P E	Engine Model (Make)	Propeller Model			Diameter		McCauley	STC		static rpm	
Model	Climb			Standard	Cruise	max	min	Spinner	Number	Notes	max	min	
F-1 (FORNEY) "Aircoupe"		C90-12F (TCM)	1A90/CF7148	1A90/CF7150	1A90/CF7152	71.0	69.5			1	2375	2250	
F-1 (FORNEY) "Aircoupe"		C90-12F (TCM)	1B90/CM7148	1B90/CM7150	1B90/CM7152	71.0	69.5			1	2375	2250	
F-1A (AIR PRODUCTS) "Aircoupe"		C90-12F (TCM)	1A90/CF7148	1A90/CF7150	1A90/CF7152	71.0	69.5			1	2375	2250	
F-1A (AIR PRODUCTS) "Aircoupe"		C90-12F (TCM)	1B90/CM7148	1B90/CM7150	1B90/CM7152	71.0	69.5			1	2375	2250	
A-2 (ALON)		C90-12F (TCM)	1A90/CF7148	1A90/CF7150	1A90/CF7152	71.0	69.5			1	2375	2250	
A-2 (ALON)		C90-12F (TCM)	1B90/CM7148	1B90/CM7150	1B90/CM7152	71.0	69.5			1	2375	2250	
A-2 (ALON)		C90-12F (TCM)		1A105/SCM7153		71.0	69.5				2375	2250	
A-2 (ALON)		C90-16F (TCM)	1A90/CF7148	1A90/CF7150	1A90/CF7152	71.0	69.5			1	2375	2250	
A-2 (ALON)		C90-16F (TCM)	1B90/CM7148	1B90/CM7150	1B90/CM7152	71.0	69.5			1	2375	2250	
A-2 (ALON)		C90-16F (TCM)		1A105/SCM7153		71.0	69.5				2375	2250	
A-2A (ALON)		C90-12F (TCM)	1A90/CF7148	1A90/CF7150	1A90/CF7152	71.0	69.5			1	2375	2250	
A-2A (ALON)		C90-12F (TCM)	1B90/CM7148	1B90/CM7150	1B90/CM7152	71.0	69.5			1	2375	2250	
A-2A (ALON)		C90-12F (TCM)		1A105/SCM7153		71.0	69.5				2375	2250	
A-2A (ALON)		C90-16F (TCM)	1A90/CF7148	1A90/CF7150	1A90/CF7152	71.0	69.5			1	2375	2250	
A-2A (ALON)		C90-16F (TCM)	1B90/CM7148	1B90/CM7150	1B90/CM7152	71.0	69.5			1	2375	2250	
A-2A (ALON)		C90-16F (TCM)		1A105/SCM7153		71.0	69.5				2375	2250	
M10 (MOONEY) "Cadet"		C90-12F (TCM)	1A90/CF7148	1A90/CF7150	1A90/CF7152	71.0	69.5			1	2375	2250	
M10 (MOONEY) "Cadet"		C90-12F (TCM)	1B90/CM7148	1B90/CM7150	1B90/CM7152	71.0	69.5			1	2375	2250	
M10 (MOONEY) "Cadet"		C90-12F (TCM)		1A105/SCM7153		71.0	69.5				2375	2250	
M10 (MOONEY) "Cadet"		C90-16F (TCM)	1A90/CF7148	1A90/CF7150	1A90/CF7152	71.0	69.5			1	2375	2250	
M10 (MOONEY) "Cadet"		C90-16F (TCM)	1B90/CM7148	1B90/CM7150	1B90/CM7152	71.0	69.5			1	2375	2250	
M10 (MOONEY) "Cadet"		C90-16F (TCM)		1A105/SCM7153		71.0	69.5				2375	2250	
Elzie Wright Jr.													
F-1		O-320-A2B (LY)		1A175/GM8042		80.0	78.0				2450	2350	
Aircraft Type: A - Amphibian F - Floatplane L - Landplane S - Skiplane		Engine Type FR - Franklin LY - Textron Lycoming STC - STC modified engine TCM - Teledyne Continental Motors/ Rolls Royce											

Fixed Pitch Notes

NOTE	DESCRIPTION
1	This is the recommended pitch, but it can be increased or decreased as long as the static rpm stays within the rpm limitations per the aircraft TCDS.
2	Any other 1A170 can be used as long as the static rpm stays between 2490 and 2240 rpm
3	Any other 1A170 can be used as long as the static rpm stays between 2540 and 2380 rpm
4	Any other 1A170 can be used as long as the static rpm stays between 2600 and 2400 rpm Avoid continuous operation between 2100 and 2300 rpm
5	Any other 1A170 can be used as long as the static rpm stays between 2450 and 2250 rpm Avoid continuous operation between 2100 and 2300 rpm
6	Applicable on S/N 1000 - 1035 only
7	Nose cowling modification required. See aircraft TCDS
8	Spinner assembly must be modified in accordance with McCauley S.B. 61
9	Avoid continuous operation between 1700 and 2100 rpm during descending flight
10	The engine must be modified per STC SE8WE.
11	Eligible on aircraft modified per Champion S.L. 63
12	STC requires specific floats, modifications to aircraft landing gear and/or a specific tire size. Refer to appropriate STC.
13	Avoid continuous operation between 2150 and 2350 rpm
14	Approved pitch is 40 - 45 inches.
15	IO-320-E2A, -E2B must be modified per STC SE7CE
16	This propeller is no longer procurable from McCauley
17	Avoid continuous operation between 2150 and 2250 rpm
18	Also includes aircraft reworked per SK152-15 or SK152-16
19	Aircraft must be modified per Cessna Modification Kit MK 172-72-01, (aircraft S/N specific)
20	Avoid continuous operation while descending between 2150 and 2350 rpm with power retarded below 1/4 throttle.
21	Avoid continuous operation while descending between 2050 and 2450 rpm with power retarded below 1/4 throttle.
22	Approved pitch range is 40 to 44 inches
23	O-320 series engines rated at 150HP
24	With fuselage tank the static rpm is 2145 - 2045, and with the wing tank the static rpm is 2145 - 1940 rpm.
25	O-320 series engines rated at 160HP
26	Maximum static rpm of 2250 is permissible when airfield pressure altitude is above 5000 ft.
27	When modified per Maule Modification Kit No. 36
28	Two propeller flange bushings must be replaced with Lycoming P/N 72060S index bushing and Lycoming P/N 721061S bushing, at flange index mark and opposite. A spacer, Piper P/N 79528-0 is required between propeller and engine flange.
29	Avoid continuous operation between 2100 and 2300 rpm.
30	Engines with hollow crankshafts (excludes engines with suffixes having a digit "4" or higher in the second position)
31	Avoid continuous operation between 1850 and 2250 rpm during descending flight"
32	Aircraft must have Univair STC SA7435SW installed

Fixed Pitch Notes

NOTE	DESCRIPTION
33	Engine must be installed per applicable STC
34	Aircraft must be modified per STC SA1-51
35	Aircraft must be modified per STC SA1-644 or STC SA3-106
36	Approved pitch range is 41 to 44 inches
37	Approved pitch range is 47 to 56 inches
38	Two propeller flange bushings must be replaced with Lycoming #72068S bushings at propeller blade positions corresponding to noncounterbored bolt holes
39	Increase in T/O and max-continuous power to 180 hp and increase in gross weight to 2,550 pounds.
40	Must be equipped with wheel/tire or ski installations which position the main gear axle centerline at least 9 inches above the ground or bottom of the ski to ensure adequate propeller clearances.
41	For banner or glider tow the static rpm is 2450 - 2550 rpm
42	Limited to aircraft with metal wing spars.
43	71" - 70" diameter, Avoid continuous operation while descending between 2025 and 2325 rpm with power retarded below 1/4 throttle setting. 70" - 69" diameter, Avoid continuous operation while descending between 2075 and 2400 rpm with power retarded below 1/4 throttle setting.
44	engine must be rated at 180 hp at 2700 rpm
45	For banner or glider tow the static rpm is 2400 - 2550 rpm
46	For banner or glider tow the static rpm is 2500 - 2600 rpm
47	For banner or glider tow the static rpm is 2475 - 2575 rpm
48	Avoid continuous operation while descending between 2075 and 2400 rpm with power retarded below 1/4 throttle setting.
49	When changing to a different propeller model a different spinner assembly may be required. Check aircraft TCDS or appropriate STC.

Fixed Pitch Propeller Information

Model	FAA Design	Hub	Propeller Flange				Spacer		Tip Shape	B-4622 Bolt Kit	2 EA. Dowels	Torque (ft-lbs) dry	Type cert	Weight	Comments	Paint Scheme
		Thickness	Bolt Circle	# Bolt	Bolt Dia	Type	P/N	Thickness								
ACM	1A100	2.750	4.375	6	3/8	SAE 1	B-3400	2.000	square	-10	A-2973-6	25 - 30	P918	23.5		D-4647
AFA	1P235	3.438	4.750	6	1/2		none	none	square	-25	-	55 - 65	P12EA	36.5		D-4647
AGM	1C172	3.438	4.750	6	3/8		B-3515	2.000	square	-15	A-2973-6	25 - 30	P910	36.2		D-4647
ALM	1C90	2.750	4.375 4.750	6 6	3/8		C-3635	2.000	square	-8	-	25 - 30	P842	25.5		D-4647
AOM	1A200	3.438	4.000	6	1/2		-	-	square	-4	A-4001	55 - 65	P874	43.2		D-4647
ATM	1A175	3.312	4.750	6	7/16		B-3898	3.500	square	-20	A-2973-6	40 - 45	P857	40.5	OBSOLETE	D-4647
BCM	1A105	2.750	4.375	6	3/8	SAE 1	B-3927	1.125	square	-16	A-2973-6	25 - 30	P918	22.5		D-4647
BFA	1B235	3.438	4.750	6	1/2		B-3637	4.000	ellip	-27	A-2973-6	55 - 65	P12EA	45.3		D-4647
BMS	1A170	3.438	4.750	6	1/2		B-6627	1.375	square	-41	A-2973-6	55 - 65	P857	36.0		D-6629
BRM	1A135	2.875	4.000	6	1/2		B-3718	1.125	square	-1	A-2973-7 A-4001	55 - 65	P842	26.0		D-4647
BTM	1C172	3.312	4.750	6	7/16		B-4381	2.648	square	-37	A-2973-6	40 - 45	P910	35.9		D-4647
CF	1A90	2.750	4.375	6	3/8	SAE 1	-	-	ellip	-42 -9	-	25 - 30	P842	22.8	Tapered Flanged	D-4647
CFA	1A170	3.438	4.750	6	1/2		B-3637	4.000	square	-23	A-2973-6	55 - 65	P857	43.0		D-4647
CH	1A90	2.750	4.375	6	3/8	SAE 1	-	-	ellip	-42	-	25 - 30	P842	21.0	OBSOLETE	D-4647
CLM	1C90	2.750	4.750	6	3/8		B-3515	2.000	square	-33	A-2973-6	25 - 30	P842	25.0		D-4647
CM	1B90	2.750	4.375	6	3/8	SAE 1	-	-	square	-42 -9	-	25 - 30	P842	23.5	Tapered Flanged	D-4647
CRM	1A135	2.875	4.000	6	1/2		B-3718	1.125	square	-1	A-2973-7 A-4001	55 - 65	P842	23.8		D-4647
CTM	1C160	3.312	4.750	6	7/16		B-3898	3.500	ellip	-20	A-2973-6	40 - 45	P910	35.8	OBSOLETE	D-4647
DCM	1A101	2.750	4.375	6	3/8	SAE 1	-	-	square	-9	-	25 - 30	P918	21.8		D-4647
DF	1A170	3.438	5.250	8	3/8		-	-	ellip	-30	-	25 - 30	P857	32.0	OBSOLETE	D-4647
DFA	1A200	3.562	4.750	6	1/2		B-3434	1.250	square	-28	A-2973-6	55 - 65	P874	47.0		D-4647
DFC	1B235	3.438	4.000	6	1/2		-	-	ellip	-5	A-4001	55 - 65	P12EA	38.5		D-4647
DLM	1C90	2.750	4.750	6	3/8		B-4160	1.250	square	-13	A-2973-6	25 - 30	P842		OBSOLETE	D-4647
DM	1A170	3.438	5.250	8	3/8		-	-	square	-30 -36	-	25 - 30	P857	33.5	Short bolt kit Long bolt kit	D-4647
DM	1A175	3.438	5.250	8	3/8		-	-	square	-30 -36	-	25 - 30	P857	34.0	Short bolt kit Long bolt kit	D-4647
DRM	1A135	2.875	4.000	6	1/2		C-7639	1.125	square	-1	A-2973-7 A-4001	55 - 65	P842	23.8		D-4647

Fixed Pitch Propeller Information

Model	FAA Design	Hub	Propeller Flange				Spacer		Tip Shape	B-4622 Bolt Kit	2 EA. Dowels	Torque (ft-lbs) dry	Type cert	Weight	Comments	Paint Scheme
		Thickness	Bolt Circle	# Bolt	Bolt Dia	Type	P/N	Thickness								
DTM	1C160	3.312	4.750	6	7/16		C-4592 OR B-4516	3.500	ellip	-20	A-2973-6	40 - 45	P910	35.5		D-5015
ECM	1B90	2.750	4.375	6	3/8	SAE 1	B-3927	1.125	square	-16	A-2973-6	25 - 30	P842	36.5		D-4647
EFA	1A170	3.438	4.750	6	1/2		B-4020	1.500	square	-24	A-2973-6	55 - 65	P857	36.5		D-4647
EFC	1B235	3.438	4.000	6	1/2		C-7744	1.750	ellip	-45	A-2973-7 A-4001	55 - 65	P12EA			D-4647
EGM	1C160	3.438	4.750	6	3/8		-	-	ellip	-14	-	25 - 30	P910	30.5		D-4647
EM	1C172	3.312	4.000	6	1/2		-	-	square	-3	A-4001	55 - 65	P910	31.0		D-4647
ETM	1A175	3.312	4.750	6	7/16		C-4592 OR B-4516	3.500	square	-20	A-2973-6	40 - 45	P857	39.0		D-4647
FA	1A200	3.562	4.750	6	1/2		-	-	square	-26	-	55 - 65	P874	44.5		D-4969
FC	1A175	3.438	4.000	6	1/2		-	-	square	-4	A-4001	55 - 65	P857	37.0	OBSOLETE	D-4647
FC	1C200	3.562	4.000	6	1/2		-	-	square	-4	A-4001	55 - 65	P874		OBSOLETE	D-4647
FCM	1B90	2.750	4.375	6	3/8	SAE 1	B-4301	1.500	square	-17	A-2973-6	25 - 30	P842			D-4647
FFA	1A170	3.438	4.750	6	1/2		B-4273	2.648	square	-38	A-2973-6	55 - 65	P857	38.0	OBSOLETE	D-4647
FGM	1C160	3.312	4.750	6	3/8		B-4561	1.438	ellip	-19	A-2973-6	25 - 30	P910	32.0		D-4647
FM	1A200	3.562	6.000	8	7/16		-	-	square	-31	-	40 - 45	P874	45.0		D-4646
GCM	1A101	2.750	4.375	6	3/8	SAE 1	B-4304	3.000	square	-11	A-2973-6	25 - 30	P918	26.8	OBSOLETE	D-4647
GM	1A170	3.438	4.750	6	3/8		-	-	square	-14	-	25 - 30	P857	33.0		D-4647
GM	1A175	3.438	4.750	6	3/8		-	-	square	-14	-	25 - 30	P857	34.2		D-4647
GMA	1A175	3.438	4.750	6	3/8		B-3515	2.000	square	-15	A-2973-6	25 - 30	P857	38.7	OBSOLETE	D-4647
HCM	1A101	2.750	4.375	6	3/8	SAE 1	B-4351	3.060	square	-12	A-2973-6	25 - 30	P918	26.4	OBSOLETE	D-4647
HFA	1A200	3.562	4.750	6	1/2		B-4585	2.000	square	-29	A-2973-6	55 - 65	P874	46.0		D-4647
HM	1B200	3.562	6.000	8	7/16		C-1225	splined	square	-31	-	40 - 45	P874		OBSOLETE	D-4647
JCM	1A135	2.875	4.375	6	3/8	SAE 1	B-3927	1.125	square	-18	A-2973-6	25 - 30	P842	24.8		D-4647
JFA	1A170E	3.438	4.750	6	1/2		C-5464 or C-7726	3.500	ellip	-40	A-2973-6	55 - 65	P857	40.75		D-4647
JHA	1A170E	3.438	4.750	6	1/2		C-5464 or C-7726	3.500	ellip	-40	A-2973-6	55 - 65	P857	42.0		D-7561 or D-7851
KCM	1A135	2.875	4.375	6	3/8	SAE 1	B-4446	1.875	square	-19	A-2973-6	25 - 30	P842	27.5		D-4647
KFA	1A170	3.438	4.750	6	1/2		B-4273	2.648	square	-38	A-2973-6	55 - 65	P857	41.25		D-4647

Fixed Pitch Propeller Information

Model	FAA Design	Hub	Propeller Flange				Spacer		Tip Shape	B-4622 Bolt Kit	2 EA. Dowels	Torque (ft-lbs) dry	Type cert	Weight	Comments	Paint Scheme
		Thickness	Bolt Circle	# Bolt	Bolt Dia	Type	P/N	Thickness								
L	1A170	3.438	5.250	8	3/8		-	-	ellip	-30	-	25 - 30	P857		OBSOLETE	D-4647
LCM	1B90	2.750	4.375	6	3/8	SAE 1	B-3400	2.000	square	-10	A-2973-6	25 - 30	P842	24.0		D-4647
LF	1C90	2.750	4.375	6	3/8	SAE 1	C-1210	1.125	ellip	-7	-	25 - 30	P842		OBSOLETE	D-4647
LFA	1C235	3.438	4.750	6	1/2		C-5464 or C-7726	3.500	ellip	-40	A-2973-6	55 - 65	P12EA	42.0		D-6629
LL	1A170	3.438	5.250	8	3/8		-	-	square	-30	-	25 - 30	P857	33.5		D-4647
LM	1C90	2.750	4.375	6	3/8	SAE 1	C-1210	1.125	square	-7	-	25 - 30	P842	24.8		D-4647
MCM	1A100	2.750	4.375	6	3/8	SAE 1	-	-	square	-9	-	25 - 30	P918	21.0		D-4647
MDM	1C172	3.438	5.250	8	3/8		-	-	square	-30	-	25 - 30	P910	32.3		D-4647
MFA	1C172	3.438	4.750	6	1/2		-	-	square	-25	-	55 - 65	P910	31.5		D-4647
MFC	1B175	3.438	4.000	6	1/2		-	-	square	-5	A-4001	55 - 65	P857	36.0		D-4647
MGM	1C172	3.438	4.750	6	3/8		-	-	square	-14	-	25 - 30	P910	32.3		D-4647
MTM	1C172	3.312	4.750	6	7/16		B-3898	3.500	square	-20	A-2973-6	40 - 45	P910	37.5	OBSOLETE	D-4647
NCM	1A106	2.750	4.375	6	3/8	SAE 1	-	-	square	-9	-	25 - 30	P918		OBSOLETE	D-4647
OCM	1A102	2.750	4.375	6	3/8	SAE 1	C-4513 OR C-4593	3.060	square	-12	A-2973-6	25 - 30	P918	24.9		D-4647
OM	1D200	3.438	4.000	6	1/2		-	-	square	-5	A-4001	55 - 65	P874	39.0		D-4647
PCM	1A101	2.750	4.375	6	3/8	SAE 1	C-4513 OR C-4593	3.060	square	-12	A-2973-6	25 - 30	P918	24.9	OBSOLETE	D-4647
PFA	1P235	3.438	4.750	6	1/2		B-3246	1.250	square	-28	A-2973-6	55 - 65	P12EA	40.5		D-4647
RM	1A135	2.875	4.000	6	1/2		-	-	square	-2	A-4001	55 - 65	P842	23.7		D-4647
SBTM	1C172	3.312	4.750	6	7/16		B-4425	2.648	square	-37	A-2973-6	40 - 45	P910	47.6		D-4647
SCM	1A105	2.750	4.375	6	3/8	SAE 1	-	-	square	-9	-	25 - 30	P918	20.5		D-4647
SFA	1A170	3.438	4.750	6	1/2		-	-	square	-25	-	55 - 65	P857	33.0		D-4647
SFC	1A170	3.438	4.000	6	1/2		-	-	square	-5	A-4001	55 - 65	P857	33.0		D-4647
SFC	1A175	3.438	4.000	6	1/2		-	-	square	-5	A-4001	55 - 65	P857	36.3		D-4647
SLM	1A105	2.750	4.375	6	3/8	SAE 1	C-1210	1.125	square	-7	-	25 - 30	P918		OBSOLETE	D-4647
TCM	1A103	3.000	4.375	6	3/8	SAE 1	-	-	ellip	-43	-	25 - 30	P50GL	23.0	OBSOLETE	D-7289
TM	1C172	3.312	4.750	6	7/16		B-3821	1.500	square	-22	A-2973-6	40 - 45	P910	32.4		D-4647
WFA	1A200	3.562	4.750	6	1/2		B-3637	4.000	square	-44	A-2973-6 or A-2973-2	55 - 65	P874			D-4647

Fixed Pitch Bolt Kit Information

BOLT KIT P/N	BOLT		WASHER		NUT		SPACER		DOWEL		MYLAR GASKET		REINFORCEMENT PLATE		NOTES
	NO. REQ.	P/N	NO. REQ.	P/N	NO. REQ.	P/N	NO. REQ.	P/N	NO. REQ.	P/N	NO. REQ.	P/N	NO. REQ.	P/N	
B-4622-1	6	A-2513-18	12	A-1638-10	6	A-1639-2									
B-4622-2	6	A-2513-58	12	A-1638-2	6	A-1639-2									
B-4622-3	6	A-2513-14	12	A-1638-10	6	A-1639-2									
B-4622-4	6	A-2513-17	12	A-1638-2	6	A-1639-2									
B-4622-5	6	A-2513-16	12	A-1638-2	6	A-1639-2									
B-4622-7	6	A-2513-7	12	A-1638-13	6	A-1639-6	6	A-1170							
	6	A-2513-6	6	A-1212											
B-4622-8	6	A-2513-30	12	A-1638-13	6	A-1639-6	6	A-1170							
	6	A-2513-31	6	A-1212											
B-4622-9	6	A-2513-8	6	A-1638-13											
B-4622-10	6	A-2513-11	6	A-1638-13											
B-4622-11	6	A-2513-51	6	A-1638-13											Obsolete
B-4622-12	6	A-2513-77	6	A-1638-14											
B-4622-13	6	A-2513-43	6	A-1638-13											Obsolete
B-4622-14	6	A-2513-19	6	A-1638-13											
B-4622-15	6	A-2513-25	6	A-1638-13											
B-4622-16	6	A-2513-20	6	A-1638-14											
B-4622-17	6	A-2513-53	6	A-1638-14											
B-4622-18	6	A-2513-43	6	A-1638-14											
B-4622-19	6	A-2513-41	6	A-1638-14											
B-4622-20	6	A-2513-38	6	A-1638-11											
B-4622-22	6	A-2513-35	6	A-1638-11											
B-4622-23	6	A-2513-33	6	A-1638-2											
B-4622-24	6	A-2513-39	6	A-1638-2											
B-4622-25	6	A-2513-13	6	A-1638-2											
B-4622-26	6	A-2513-15	6	A-1638-2											
B-4622-27	6	A-2513-33	6	A-1638-10											
B-4622-28	6	A-2513-18	6	A-1638-10											
B-4622-29	6	A-2513-70	6	A-1638-10											
B-4622-30	8	A-2513-10	8	A-1638-13											
B-4622-31	8	A-2513-12	8	A-1638-11											
B-4622-32	6	A-2513-65													Obsolete
B-4622-33	6	A-2513-41	6	A-1638-13											

Fixed Pitch Bolt Kit Information

BOLT KIT P/N	BOLT		WASHER		NUT		SPACER		DOWEL		MYLAR GASKET		REINFORCEMENT PLATE		NOTES
	NO. REQ.	P/N	NO. REQ.	P/N	NO. REQ.	P/N	NO. REQ.	P/N	NO. REQ.	P/N	NO. REQ.	P/N	NO. REQ.	P/N	
B-4622-36	8	A-2513-23	8	A-1638-14											
B-4622-37	6	A-2513-79													
B-4622-38	6	A-2513-71													
B-4622-39	6	A-2513-24	6	A-1638-13											
B-4622-40	6	A-2513-92	6	A-1638-2											
B-4622-41	6	A-2513-99	6	A-1638-2											
B-4622-42	6	A-2513-9	6	A-1638-13	6	A-1639-6	6	A-1170							
B-4622-43	6	A-2513-78									1	B-7306	1	B-7287	
B-4622-44	6	A-2513-102	6	A-1638-10					2	A-2973-6					
B-4622-45	6	A-2513-103	12	A-1638-2	6	A-1639-2									
B-4622-46	6	A-2513-62	12	A-1638-10	6	A-1639-2									

Fixed Pitch Bolt Information

Bolt P/N	Thread	Length	Grip	Drilled Head	Notes
A-2513-6	3/8-24UNF	4.203	3.563	No	
A-2513-7	3/8-24UNF	1.453	0.813	Yes	
A-2513-8	3/8-24UNF	3.328	2.563	Yes	
A-2513-9	3/8-24UNF	3.578	2.938	No	
A-2513-10	3/8-24UNF	3.953	3.313	Yes	
A-2513-11	3/8-24UNF	5.328	4.563	Yes	
A-2513-12	7/16-20UNF	4.094	3.438	Yes	
A-2513-13	1/2-20UNF	4.344	3.250	Yes	
A-2513-14	1/2-20UNF	4.469	3.688	No	
A-2513-15	1/2-20UNF	4.469	3.375	Yes	
A-2513-16	1/2-20UNF	4.719	3.750	No	
A-2513-17	1/2-20UNF	4.844	3.750	No	
A-2513-18	1/2-20UNF	5.844	4.625	Yes	
A-2513-19	3/8-24UNF	4.172	3.375	Yes	
A-2513-20	3/8-24UNF	4.578	3.750	Yes	
A-2513-23	3/8-24UNF	4.078	3.438	Yes	
A-2513-24	3/8-24UNF	3.578	2.750	Yes	
A-2513-25	3/8-24UNF	6.203	5.375	Yes	
A-2513-30	3/8-24UNF	2.238	1.688	Yes	
A-2513-31	3/8-24UNF	5.078	4.438	No	
A-2513-33	1/2-20UNF	8.469	7.285	Yes	
A-2513-35	7/16-20UNF	5.719	4.700	No	
A-2513-38	7/16-20UNF	7.719	6.700	Yes	
A-2513-39	1/2-20UNF	5.969	4.785	Yes	
A-2513-41	3/8-24UNF	5.453	4.625	Yes	
A-2513-43	3/8-24UNF	4.703	3.875	Yes	
A-2513-51	3/8-24UNF	6.328	5.563	Yes	
A-2513-53	3/8-24UNF	4.953	4.125	Yes	
A-2513-58	1/2-20UNF	3.969	3.188	No	
A-2513-62	1/2-20UNF	5.219	4.250	No	
A-2513-65	1/2-20UNF	11.594	10.600	Yes	Obsolete
A-2513-70	1/2-20UNF	6.719	5.156	Yes	
A-2513-71	1/2-20UNF	7.094	5.813	Yes	
A-2513-77	3/8-24UNF	6.453	5.563	Yes	
A-2513-78	3/8-24UNF	3.828	3.000	Yes	
A-2513-79	7/16-20UNF	7.031	5.813	Yes	
A-2513-92	1/2-20UNF	7.969	6.750	Yes	
A-2513-99	1/2-20UNF	5.969	4.630	Yes	
A-2513-102	1/2-20UNF	8.594	7.285	Yes	
A-2513-103	1/2-20UNF	6.594	5.625	Yes	

Spinner Assembly Information

Spinner Assembly P/N	Shell P/N	Front Support P/N	Front Support Shims	Front Bulkhead P/N	Fillet P/N	Rear Bulkhead P/N	Finish	Device	Shape	Blades	Obsole	Shell Length	Shell Diameter	Propellers	Engine	Notes
D-2137	D-2136	NONE				D-2135	S		R	2		12.750	12.750	C14, C28	LY	Bulkhead mounts to starter ring gear
D-2749	D-2747	B-2848	B-3281-1 B-3281-2		B-2857	D-2870	S		R	2		14.970	14.541	C39, C89	TCM	Beech polished some of these in production. Fillets are riveted on bulkhead. Bulkhead mounts to (6) A-2495 lugs
D-2749-1	D-2747	B-3275	B-3281-1 B-3281-2		B-2857	D-2870	S		R	2		14.970	14.541	C55	TCM	Beech polished some of these in production. Fillets are riveted on bulkhead. Bulkhead mounts to (6) A-2495 lugs
D-2749-2	D-2747	B-3277	B-3281-1 B-3281-2		B-2857	D-2870	S		R	2		14.970	14.541	C39, C89	TCM	Beech polished some of these in production. Fillets are riveted on bulkhead. Bulkhead mounts to (6) A-2495 lugs
D-2771	D-3083	B-3019			B-2877	D-3011	S		R	2	X	13.081	12.750	C31, C33	TCM	Fillets are riveted on bulkhead Bulkhead mounts to (6) A-2495 lugs.
D-2771-1	D-3083	B-3019			B-2877	D-3011	S		R	2	X	13.081	12.750	C67	TCM	Fillets are riveted on bulkhead Bulkhead mounts to (6) A-2495 lugs. If engine flange is 0.031" thick use (1) A-1638-24 washer on each stud in between engine flange and A-2495 lugs
D-2802	D-2793	B-2848			B-2857	D-2801	S	A	R	2	X	14.906	14.541	C39, C89	TCM	Fillets are riveted on bulkhead Bulkhead mounts to (6) A-2495 lugs.
D-2802-1	D-2793	B-3275	B-3281-1 B-3281-2		B-2857	D-2801	S	A	R	2	X	14.906	14.541	C55	TCM	Fillets are riveted on bulkhead Bulkhead mounts to (6) A-2495 lugs.
D-2802-2	D-2793	B-3277	B-3281-1 B-3281-2		B-2857	D-2801	S	A	R	2	X	14.906	14.541	C39, C89	TCM	Fillets are riveted on bulkhead Bulkhead mounts to (6) A-2495 lugs.
D-2809	D-2808	NONE			B-3151	D-3148	S		B	2	X	12.750	12.750	C53	LY	Fillets are riveted on bulkhead Bulkhead mounts to starter ring gear
D-2822	D-3239	B-3243	B-3410-16 B-3410-32		B3242	D-3241	S		B		X	15.491	13.650	C23	TCM	Fillets are riveted on bulkhead Bulkhead mounts to hub
D-2844	D-2840	NONE			B-2877	D-2878	S		R	2		14.063	12.750	C26, C48	TCM	Fillets are riveted on bulkhead C26,Bulkhead mounts to (6) A-2495 lugs C48, Bulkhead mounts to (1) B-2792 ring
D-2845	D-3083	B-3019	B-3410-16 B-3410-32		B-2877	D-2878	S		R	2		13.081	12.750	C29,C31,C32,C50 ,C66, C209	TCM	Fillets are riveted on bulkhead "2A, B2A, C2A" Bulkhead mounts to (6) A-2495 lugs
D-2845-1	D-3083	B-3019	B-3410-16 B-3410-32		B-2877	D-2878	S		R	2		13.081	12.750	C31, C33,C45, C49, C67	TCM	Fillets are riveted on bulkhead Bulkhead mounts to (1) B-2792 split ring. If engine flange is 0.031" thick use (1) A-1638-24 washer on each stud in between engine flange and B-2792 split ring
D-2845-2	D-3083	NONE			B-2877	D-2878	S		R	2		13.081	12.750	C1, C18, C21	TCM	Fillets are riveted on bulkhead Bulkhead mounts to (6) A-2495 lugs
D-2852	D-2849	NONE			B-2877	D-2891	S	A	B	2	X	14.063	12.750	C26	TCM	Fillets are riveted on bulkhead Bulkhead mounts to (6) A-2495 lugs
D-2890	D-2889	B-3275	B-3281-1 B-3281-2		B-2877	D-2878	S		B	2		15.594	12.750	C38, C68	TCM	Fillets are riveted on bulkhead Bulkhead mounts to (6) A-2495 lugs

Spinner Assembly Information

Spinner Assembly P/N	Shell P/N	Front Support P/N	Front Support Shims	Front Bulkhead P/N	Fillet P/N	Rear Bulkhead P/N	Finish	Device	Shape	Blades	Obsole	Shell Length	Shell Diameter	Propellers	Engine	Notes
D-2893	D-2892	B-3275	B-3281-1 B-3281-2		B-2877	D-2891	S	A	B	2		15.594	12.750	C38, C68	TCM	Fillets are riveted on bulkhead Bulkhead mounts to (6) A-2495 lugs
D-3012	D-2840	NONE			B-2877	D-3011	S		R	2	X	14.063	12.750	C48	TCM	Fillets are riveted on bulkhead Bulkhead mounts to (6) A-2495 lugs
D-3052	D-2849	NONE			B-2877	D-3049	S	A	R	2	X	14.063	12.750	C48	TCM	Fillets are riveted on bulkhead Bulkhead mounts to (6) A-2495 lugs
D-3290	D-2820	B-2800	B-3410-16 B-3410-32		B-3292	D-7713-1	S		R	2		12.064	13.875	C23, C223, C228	TCM	Old bulkhead P/N was D-3291 Bulkhead mounts to C-4044 adapter plate
D-3290-2	D-2820	B-2800	B-3410-16 B-3410-32		B-3292	D-7714-1	S	E	R	2		12.064	13.875	C23, C223, C228	TCM	Old bulkhead P/N was D-3291 Bulkhead mounts to slip ring
D-3328	D-3326			B-3859	B-3327	D-2807	S		R	F		12.750	12.750	1A200/DFA, 1P235/PFA	LY	Bulkhead mounts to starter ring gear
D-3339	D-3337			B-3353	NONE	D-3338	S		R	F		12.750	12.750	1C172/MGM 1C172MFA, 1A175/SFA	LY	Bulkhead mounts to starter ring gear Use (6) A-4338 flanged washers under bolt head with 1C172/MGM
D-3396	D-3395	B-3243	B-3410-16 B-3410-32		B-3394	D-7713-4	S		B	2		15.500	13.748	C23, C223, C228	TCM	Bulkhead mounts between prop and engine flange Old bulkhead P/N D-3393
D-3396-2	D-3395	B-3243	B-3410-16 B-3410-32		B-3394	D-7714-4	S	E	B	2		15.500	13.748	C23, C223, C228	TCM	Bulkhead mounts between prop and engine flange Old bulkhead P/N D-3393
D-3404	D-2747	B-2848	B-3281-1 B-3281-2		B-2857	D-3403	S	E	R	2		14.970	14.541	C39, C89	TCM	Beech polished some of these in production Fillets are riveted to bulkhead. Bulkhead mounts to (6) A-3464 lugs
D-3404-1	D-2747	B-3275	B-3281-1 B-3281-2		B-2857	D-3403	S	E	R	2		14.970	14.541	C55	TCM	Beech polished some of these in production Fillets are riveted to bulkhead. Bulkhead mounts to (6) A-3464 lugs
D-3404-2	D-2747	B-3277	B-3281-1 B-3281-2		B-2857	D-3403	S	E	R	2		14.970	14.541	C39, C89	TCM	Beech polished some of these in production Fillets are riveted to bulkhead. Bulkhead mounts to (6) A-3464 lugs
D-3404-3	D-3419	B-3348	B-3281-1 B-3281-2		B-2857	D-3403	S	E	P	2		18.760	14.541	C55	TCM	Beech polished some of these in production Fillets are riveted to bulkhead. Bulkhead mounts to (6) A-3464 lugs
D-3420	D-3419	B-3348	B-3281-1 B-3281-2		B-2857	D-2870	S		B	2		18.760	14.541	C55	TCM	Beech polished some of these in production Fillets are riveted on bulkhead Bulkhead mounts to (6) A-2495 lugs
D-3462	D-3461	B-3348	B-3281-1 B-3281-2		B-2857	D-3830	S	A	B	2		18.760	14.541	C55	TCM	Fillets are riveted on bulkhead Bulkhead mounts to (6) A-2495 lugs
D-3499	D-3570	B-3348	B-3725-1 B-3725-2		B-2857	D-3571	S	E	B	2		18.760	14.541	C75	TCM	Fillets are riveted on bulkhead Bulkhead mounts between prop and engine flange
D-3538	D-3534	C-3862	B-3863		C-3536	D-3537	S		P	3		20.320	14.840	C72, C87, C93	TCM	Fillets are riveted on bulkhead Bulkhead mounts to (6) 0850257-4 lugs

Spinner Assembly Information

Spinner Assembly P/N	Shell P/N	Front Support P/N	Front Support Shims	Front Bulkhead P/N	Fillet P/N	Rear Bulkhead P/N	Finish	Device	Shape	Blades	Obsolet	Shell Length	Shell Diameter	Propellers	Engine	Notes
D-3574	D-3573	C-3862	B-3863		B-3578	D-3576	S		P	3		20.270	12.750	C74, C92	TCM	Fillets are riveted on bulkhead Bulkhead mounts between prop and engine flange
D-3584	D-3585	B-3243	B-3410-16 B-3410-32		B-3394	D-7713-2	S		B	3		13.429	13.748	C76, C406, C409, C420, C423	TCM	Old bulkhead P/N D-3586 Bulkhead mounts between prop and engine flange
D-3584-2	D-3585	B-3243	B-3410-16 B-3410-32		B-3394	D-7714-2	S	E	B	3		13.429	13.748	C76, C406, C409, C420, C423	TCM	Old bulkhead P/N D-3586 Bulkhead mounts between prop and engine flange
D-3600	D-3597	B-2800	B-3410-16 B-3410-32		B-3292	D-7713-3	S		R	3		12.000	13.875	C76, C434	TCM	Old bulkhead P/N D-3599 Bulkhead mounts between prop and engine flange
D-3600-2	D-3597	B-2800	B-3410-16 B-3410-32		B-3292	D-7714-3	S	E	R	3		12.000	13.875	C76, C434	TCM	Old bulkhead P/N D-3599 Bulkhead mounts between prop and engine flange
D-3605	D-3607	B-3348	B-3725-1 B-3725-2		B-2857	D-3608	S	A	B	3		18.760	14.542	C75	TCM	Beech polished some of these in production. Fillets are riveted on bulkhead. Bulkhead mounts to (6) A-2495 lugs
D-3625	D-3626	B-3275	B-3725-1 B-3725-2		B-2877	D-3627	S	A	B	3		15.530	12.750	C86	TCM	Fillets are riveted on bulkhead. Bulkhead mounts to (6) A-2495 lugs
D-3649	D-3651	C-3862	B-3863		C-3658	D-3652	S	E	P	3		19.620	14.108	C80	TCM	Fillets are riveted on bulkhead. Bulkhead mounts to hub sleeve
D-3669	D-3666	B-3019	B-3410-16 B-3410-32		B-2877	D-3668	S		R	3		13.081	12.750	C90	TCM	Fillets are riveted on bulkhead. Bulkhead mounts to (6) A-2495 lugs
D-3683	D-3395	B-3243	B-3410-16 B-3410-32		B-3394	D-3686	S		B	2		15.500	13.748	C8, C9, C210	LY TCM	Fillets are riveted on bulkhead. Bulkhead mounts to machined flange on hub
D-3732	D-3573	C-3862	B-3863		B-3578	D-3728	S	E	P	3		20.270	12.750	C74, C92	TCM	Fillets are riveted on bulkhead. Bulkhead mounts to slip ring
D-3734	D-3570	B-3348	B-3725-1 B-3725-2		B-2857	D-3730	S	E	B	3	X	18.760	14.541	C75	TCM	Some of these shells were polished by Beech Fillets are riveted on bulkhead Bulkhead mounts to slip ring
D-3740	D-3419	B-3348	B-3281-1 B-3281-2		B-2857	D-3739	S		B	2	X	18.760	14.541	C30, C55	TCM	
D-3766	D-3765	C-4383	B-3410-16 B-3410-32		B-3578	D-3764	S		P	2		20.270	12.750	C58	TCM	Some of these shells were polished Fillets are riveted on bulkhead Bulkhead mounts between prop and engine flange
D-3797	D-3534	C-3862	B-3863		C-3536	D-3796	S	E	P	3		20.320	14.840	C87, C92, C93, C504, C505, C515, C516, C525	TCM	Fillets are riveted on bulkhead Bulkhead mounts to slip ring
D-3819	D-3800	C-3862	B-3863		C-3536	D-3818	S	E	P	2		20.320	14.840	C71	TCM	Fillets are riveted on bulkhead Bulkhead mounts to slip ring

Spinner Assembly Information

Spinner Assembly P/N	Shell P/N	Front Support P/N	Front Support Shims	Front Bulkhead P/N	Fillet P/N	Rear Bulkhead P/N	F	i	D	S	B	O	Shell Length	Shell Diameter	Propellers	E	Notes
							n	s	e	h	l	b				n	
D-3831	D-2793	B-2848	B-3281-1 B-3281-2		B-2857	D-3830	S	A	R	2			14.906	14.541	C39, C89	TCM	Beech polished some of these in production. Fillets are riveted on bulkhead. Bulkhead mounts to (6) A-2495 lugs
D-3831-1	D-2793	B-3275	B-3281-1 B-3281-2		B-2857	D-3830	S	A	R	2			14.906	14.541	C55	TCM	Beech polished some of these in production. Fillets are riveted on bulkhead. Bulkhead mounts to (6) A-2495 lugs
D-3831-2	D-2793	B-3277	B-3281-1 B-3281-2		B-2857	D-3830	S	A	R	2			14.906	14.541	C39, C89	TCM	Beech polished some of these in production. Fillets are riveted on bulkhead. Bulkhead mounts to (6) A-2495 lugs
D-3867	D-3866	C-4383	B-3410-16 B-3410-32		B-3578	D-3865	S		P	3			20.320	12.750	C90	TCM	Fillets are riveted on bulkhead Bulkhead mounts between prop and engine flange
D-3867-1	D-3866-1	C-4383	B-3410-16 B-3410-32		B-3578	D-3865	P		P	3			20.320	12.750	C90	TCM	Fillets are riveted on bulkhead Bulkhead mounts between prop and engine flange
D-3875	D-3876	C-4420	A-4422-1 A-4422-2		NONE	D-3878	S		P	F			14.610	12.000	1A170/CFA	LY	Bulkhead mounts between prop and spacer
D-3933	D-3935	C-3862	B-3863		C-3658	D-3923	S	E	P	2			19.620	14.108	C71	TCM	Fillets are riveted on bulkhead Bulkhead mounts to slip ring
D-3934	D-3651	C-3862	B-3863		C-3658	D-3925	S	E	P	3			19.620	14.108	C87, C504	TCM	Fillets are riveted on bulkhead Bulkhead mounts to slip ring
D-3953	D-3419	B-3348	B-3281-1 B-3281-2		B-2857	D-3956	S		B	2			18.760	14.541	C30	TCM	Some of these shells were polished Fillets are riveted on bulkhead Bulkhead mounts to machined flange on hub
D-4042	D-3651	C-3862	B-3863		C-3658	D-3925	S		P	3			19.620	14.108	C87	TCM	Fillets are riveted on bulkhead Bulkhead mounts to C-4044 adapter
D-4045	D-3419	B-3348	B-3281-1 B-3281-2		B-2857	D-4067	S	E	B	2			18.760	14.541	C30	TCM	Some of these shells were polished Fillets are riveted on bulkhead Bulkhead mounts to machined flange on hub
D-4046	D-3461	B-3348	B-3281-1 B-3281-2		B-2857	D-4048	S	A	B	2			18.760	14.541	C30	TCM	Some of these shells were polished Fillets are riveted on bulkhead Bulkhead mounts to machined flange on hub
D-4068	D-3570	B-3348	B-3725-1 B-3725-2		B-2857	D-4151	S		B	3			18.760	14.541	C35	TCM	Some of these shells were polished Fillets are riveted on bulkhead Bulkhead mounts to hub sleeve
D-4069	D-3607	B-3348	B-3725-1 B-3725-2		B-2857	D-4150	S	A	B	3			18.760	14.542	C35	TCM	Some of these shells were polished Fillets are riveted on bulkhead Bulkhead mounts to hub sleeve
D-4082	D-4085	C-4383	B-3410-16 B-3410-32		C-4086	D-4081	S		P	2			19.620	14.108	C58	TCM	Fillets are riveted on bulkhead Bulkhead mounts between prop and engine flange
D-4101	D-4180	B-3243	B-3410-16 B-3410-32		B-4183	C-4181	S		B	2			15.690	11.000	C22	FR TCM	Fillets are riveted on bulkhead Bulkhead mounts between prop and engine flange

Spinner Assembly Information

Spinner Assembly P/N	Shell P/N	Front Support P/N	Front Support Shims	Front Bulkhead P/N	Fillet P/N	Rear Bulkhead P/N	Finish	Device	Shape	Blades	Obsole	Shell Length	Shell Diameter	Propellers	Engine	Notes
D-4175	D-3626	B-3275	B-3725-1 B-3725-2		B-2877	D-4176	S	A	B	3		15.530	12.750	C86	TCM	Fillets are riveted on bulkhead Bulkhead mounts between prop and engine flange
D-4235-1	D-4245			D-4247	B-4253	D-4254	S		P	F		19.000	14.274	1A170/GFA 1B235/BFA	LY	Bulkhead mounts between prop and spacer
D-4235-5	D-4245			D-4247	B-4253	D-4254	S		P	F		19.000	14.274	non-McCauley		
D-4509	D-3534	C-3862	B-3863		C-3536	D-4506	S	E	P	3		20.320	14.840	C501	TCM	Fillets are riveted on bulkhead Bulkhead mounts to slip ring
D-4987	D-4986	C-3862	B-3863		B-4985	D-4984	S	E	P	3		20.121	14.260	C502, C503, C508, C509	TCM	Fillets are riveted on bulkhead Bulkhead mounts between prop and engine flange
D-4987-1	D-4986-1	C-3862	B-3863		B-5689	D-5688	P	E	P	3		20.121	14.260	C502, C503, C508, C509	TCM	Bulkhead mounts between prop and engine flange
D-5027	D-3534	C-4383-1	B-3410-16 B-3410-32		C-3536	D-3796	S		P	3		20.320	14.840	C401	TCM	Fillets are riveted on bulkhead Bulkhead mounts to C-4044 adapter
D-5215	D-5212	C-3862	B-3863		C-5213	D-5214	P	E	P	3		20.320	14.840	C504, C505, C515, C516, C524, C528	TCM	Bulkhead mounts to slip ring
D-5218	D-5212	C-3862	B-3863		C-5213	D-5217	P	E	P	3		20.320	14.840	C501	TCM	Bulkhead mounts to slip ring
D-5255	D-5252	B-3243	B-3410-16 B-3410-32		B-5254	D-7713-4	P		B	2		15.429	13.602	C23, C223, C228	TCM	Bulkhead Mounts to C-4044 adapter plate Old bulkhead P/N D-5253
D-5255-2	D-5252	B-3243	B-3410-16 B-3410-32		B-5254	D-7714-4	P	E	B	2		15.429	13.602	C23, C223, C228	TCM	Bulkhead Mounts to slip ring Old bulkhead P/N D-5253
D-5259	D-5257	B-3243	B-3410-16 B-3410-32		B-5254	D-5258	P		B	3	X	15.429	13.602	C76,C406, C409	TCM	Bulkhead mounts to hub
D-5275-1	D-5285-1	C-3862	B-3863		NONE	D-5274	S		P	3		18.660	13.920	C506, C507	TCM	Bulkhead mounts to hub B-5280 gasket used between hub and bulkhead
D-5275-2	D-5285-2	C-3862	B-3863		NONE	D-5274	P		P	3		18.660	13.920	C506, C507	TCM	Bulkhead mounts to hub B-5280 gasket used between hub and bulkhead
D-5309	D-5370	B-5324	B-3863		C-5213	E-5549	P	E	B	3		18.689	14.542	C511, C512	TCM	With out air conditioning Bulkhead mounts to hub B-7618 gasket used between hub and bulkhead
D-5310	D-5370	B-5324	B-3863		C-5213	D-5499-1	P	E	B	3		18.689	14.542	C511, C512	TCM	With air conditioning Bulkhead mounts to hub B-7618 gasket used between hub and bulkhead
D-5311	D-5370	B-5324	B-3863		C-5213	D-5499-2	P	E	B	3		18.689	14.542	C511, C512	TCM	Bulkhead mounts to hub B-7618 gasket used between hub and bulkhead
D-5541	D-5257	B-3243	B-3410-16 B-3410-32		B-5254	D-5540	P		B	3	X	15.429	13.602	C76,C406, C409, C423	TCM	Replaced by D-7168 Bulkhead mounts to hub
D-5670	D-5671	B-3243	B-3410-16 B-3410-32		C-5673	D-5672	S		B	3		14.539	13.194	C413	LY	Bulkhead mounts to hub
D-5915	D-5914	B-3243	B-3410-16 B-3410-32		C-5673-2	D-5913	P		B	2		14.539	13.194	C225	TCM	Bulkhead mounts between prop and engine flange

Spinner Assembly Information

Spinner Assembly P/N	Shell P/N	Front Support P/N	Front Support Shims	Front Bulkhead P/N	Fillet P/N	Rear Bulkhead P/N	Finish	Device	Shape	Blades	Obsole	Shell Length	Shell Diameter	Propellers	Engine	Notes
D-5992	D-5950	C-4383-2	B-3410-16 B-3410-32		D-5947	D-5939	S		P	3		20.560	12.750	C415	LY	Bulkhead mounts to starter ring gear
D-5992-1	D-5950-1	C-4383-2	B-3410-16 B-3410-32		D-5947-2	D-5939	P		P	3		20.560	12.750	C415	LY	Bulkhead mounts to starter ring gear
D-60119	D-5370	B-5324	B-3863		C-5213	D-5499-1	P		B	3		18.689	14.542	C511, C512	TCM	Bulkhead mounts to hub. (2) B-5280 gaskets used between hub and bulkhead
D-6012	D-5950	C-4383-2	B-3410-16 B-3410-32		B-5947	D-6048	S		P	3		20.560	12.750	C412, C424	LY	Bulkhead mounts to starter ring gear
D-6012-1	D-5950-1	C-4383-2	B-3410-16 B-3410-32		B-5947-2	D-6048	P		P	3		20.560	12.750	C412, C424	LY	Bulkhead mounts to starter ring gear
D-60121	D-5370	B-5324	B-3863		C-5213	E-5549	P		B	3		18.689	14.542	C511, C512	TCM	With out air conditioning Bulkhead mounts to hub B-7618 gasket used between hub and bulkhead
D-60140	D-5212	C-3862	B-3863		C-5213	D-7237	P	E	P	3		20.320	14.840	C504	TCM	With out air conditioning Bulkhead mounts to slip ring or C-6992 adapter plate
D-6176	E-6190	C-6175	B-3863		C-6184	E-6178	P	E	P	3		22.477	18.300	C514	TCM	Bulkhead mounts to hub B-7618 gasket used between hub and bulkhead
D-6195	D-6203	C-4383	B-3410-16 B-3410-32		B-6193	D-6210	P		P	2		19.878	12.750	C224	LY	Bulkhead mounts to C-5046 split plate
D-6204	D-6201	C-6208	B-3410-16 B-3410-32		C-6202	D-6199	S		P	3		17.500	13.800	C417, C422	LY	Bulkhead mounts to hub
D-6204-1	D-6201-1	C-6208	B-3410-16 B-3410-32		C-6202-1	D-6199	P		P	3		17.500	13.800	C417, C422	LY	Bulkhead mounts to hub
D-6240	D-6192	C-4383	B-3410-16 B-3410-32		B-6193	D-6194	P		P	3		19.878	12.750	C414, C416	LY	Bulkhead mounts to C-5046 split plate
D-6323	D-5950	C-4383-2	B-3410-16 B-3410-32		D-5947	D-6322	S		P	3		20.560	12.750	C415	LY	Bulkhead mounts to starter ring gear
D-6323-1	D-5950-1	C-4383-2	B-3410-16 B-3410-32		D-5947-2	D-6322	P		P	3		20.560	12.750	C415	LY	Bulkhead mounts to starter ring gear
D-6504	D-6501	C-4383	B-3410-16 B-3410-32		B-6503	D-6502	P		P	3		19.190	14.440	C415	LY	Bulkhead mounts to starter ring gear
D-6594	D-6589	C-6597	B-3410-16 B-3410-32		C-6596	D-6595	P		B	3		15.000	12.088	C411	TCM	Bulkhead mounts between prop and engine flange
D-6614	D-6613	C-6619	B-3410-16 B-3410-32		C-6620	D-6612	P		P	3		16.981	13.368	C412, C415	LY	Bulkhead mounts to starter ring gear
D-6774-1	D-6773-1	B-5324	B-3863		C-6775-1	D-6772	P		B	3		18.351	12.981	C510, C513, C526, C527	LY	Bulkhead mounts to hub
D-6774-2	D-6773-2	B-5324	B-3863		C-6775-2	D-6772	S		B	3		18.351	12.981	C510, C513, C526, C527	LY	Bulkhead mounts to hub
D-7062	D-7064	C-6619	B-3410-16 B-3410-32		C-7065	D-7713-3	P		B	3		15.740	13.750	C423	TCM	Old bulkhead P/N D-7063 Bulkhead mounts to C-4044 plate

Spinner Assembly Information

Spinner Assembly P/N	Shell P/N	Front Support P/N	Front Support Shims	Front Bulkhead P/N	Fillet P/N	Rear Bulkhead P/N	F	E	B	3	Obsole	Shell Length	Shell Diameter	Propellers	E n g i n e	Notes
D-7062-2	D-7064	C-6619	B-3410-16 B-3410-32		C-7065	D-7714-3	P	E	B	3		15.740	13.750	C423	TCM	Old bulkhead P/N D-7063 Bulkhead mounts to slip ring
D-7085	D-7086	C-6619	B-3410-16 B-3410-32		C-7087	D-7089	P		P	3		18.250	13.800	C412	LY	Bulkhead mounts to starter ring gear
D-7168	D-5257	B-3243	B-3410-16 B-3410-32		B-5254	D-7713-2	P		B	3		15.429	13.602	C76, C406, C409, C420, C423	TCM	Replacement for D-5541 Spinner assembly Old bulkhead P/N D-7170 Bulkhead mounts to C-4044 plate
D-7168-2	D-5257	B-3243	B-3410-16 B-3410-32		B-5254	D-7714-2	P	E	B	3		15.429	13.602	C76, C406, C409, C420, C423	TCM	Replacement for D-5541 Spinner assembly Old bulkhead P/N D-7170 Bulkhead mounts to slip ring
D-7185	D-7189	C-3862	B-3863		C-7186	D-7188	S	E	P	3		19.620	14.108	C504, C528	TCM	Bulkhead mounts to slipring or C-4044 plate
D-7185-1	D-7189-1	C-3862	B-3863		C-7535-1	D-7537	P	E	P	3		19.620	14.108	C504, C528	TCM	Bulkhead mounts to slipring or C-4044 plate
D-7192	D-6201	C-6359	B-3410-16 B-3410-32		C-6202	D-7194	S	E	P	3		17.500	13.800	C418	TCM	Bulkhead mounts to hub sleeve
D-7192-1	D-6201-1	C-6359	B-3410-16 B-3410-32		C-6202-1	D-7194	P	E	P	3		17.500	13.800	C418	TCM	Bulkhead mounts to hub sleeve
D-7229	D-7231	B-5324	B-3863		C-7235	D-7236	S	E	P	3		20.108	12.750	C510, C516	TCM	Bulkhead mounts to slip ring or C-4044 plate
D-7262-1	D-7261-1	C-6359	B-3410-16 B-3410-32		NONE	D-7260	P		P	3		18.035	13.739	C431	LY	Bulkhead mounts to hub sleeve
D-7262-2	D-7261-2	C-6359	B-3410-16 B-3410-32		NONE	D-7260	S		P	3		18.035	13.739	C431	LY	Bulkhead mounts to hub sleeve
D-7267-1	D-7265-1	C-6359	B-3410-16 B-3410-32		NONE	D-7266	P		P	2		18.035	13.739	C235	LY	Bulkhead mounts to machined flange on hub
D-7267-2	D-7265-2	C-6359	B-3410-16 B-3410-32		NONE	D-7266	S		P	2		18.035	13.739	C235	LY	Bulkhead mounts to machined flange on hub
D-7290	D-5257	B-3243	B-3410-16 B-3410-32		B-5254	D-7307	P		B	3		15.429	13.602	C429	LY	Bulkhead mounts to hub sleeve
D-7365-1	D-6201-1	C-6359	B-3410-16 B-3410-32		C-6202-1	D-7426	P	E	P	3		17.500	13.800	C430	TCM	Bulkhead mounts to hub sleeve
D-7365-2	D-6201	C-6359	B-3410-16 B-3410-32		C-6202	D-7426	S	E	P	3		17.500	13.800	C430	TCM	Bulkhead mounts to hub sleeve
D-7458-1	D-7459-1	B-3243	B-3410-16 B-3410-32		C-7461-1	D-7460	P		R	3		16.022	11.750	C412	LY	Bulkhead mounts to starter ring gear
D-7458-2	D-7459-2	B-3243	B-3410-16 B-3410-32		C-7461-2	D-7460	S		R	3		16.022	11.750	C412	LY	Bulkhead mounts to starter ring gear
D-7465-1	D-7464-1	C-6359	B-3410-16 B-3410-32		NONE	D-7260	P		P	3		18.880	14.320	C431	LY	Bulkhead mounts to hub sleeve
D-7465-2	D-7464-2	C-6359	B-3410-16 B-3410-32		NONE	D-7260	S		P	3		18.880	14.320	C431	LY	Bulkhead mounts to hub sleeve
D-7499-1	D-7500-1	B-3243	B-3410-16 B-3410-32		C-7502-1	D-7501	P		P	3		17.500	13.800	C431	LY	Bulkhead mounts to hub sleeve

Spinner Assembly Information

Spinner Assembly P/N	Shell P/N	Front Support P/N	Front Support Shims	Front Bulkhead P/N	Fillet P/N	Rear Bulkhead P/N	Finish	Deice	Shape	Blades	Obsole	Shell Length	Shell Diameter	Propellers	Engine	Notes
D-7499-2	D-7500-2	B-3243	B-3410-16 B-3410-32		C-7502-2	D-7501	S		P	3		17.500	13.800	C431	LY	Bulkhead mounts to hub sleeve
D-7510-1	D-3866-1	C-4383-2	B-3410-16 B-3410-32		C-7512-1	D-7511	P		P	3		20.320	12.750	C435	TCM	Bulkhead mounts between prop and engine flange
D-7510-2	D-3866	C-4383-2	B-3410-16 B-3410-32		C-7512-2	D-7511	S		P	3		20.320	12.750	C401, C435	TCM	Bulkhead mounts between prop and engine flange
D-7515	D-6589	C-6597	B-3410-16 B-3410-32		C-7516	D-6595	P		B	3		15.000	12.088	C401, C435	TCM	Bulkhead mounts between prop and engine flange
D-7519-1	D-7523-1	C-4383-2	B-3410-16 B-3410-32		C-7512-1	D-7524	P		P	2		20.270	12.750	C203, C238	TCM	Bulkhead mounts between prop and engine flange
D-7519-2	D-7523-2	C-4383-2	B-3410-16 B-3410-32		C-7512-1	D-7524	S		P	2		20.270	12.750	C203, C238	TCM	Bulkhead mounts between prop and engine flange
D-7520	D-7521	C-6597	B-3410-16 B-3410-32		C-7516	D-7522	P		B	2		15.000	12.088	C203, C238	TCM	Bulkhead mounts between prop and engine flange
D-7526-1	D-7189-1	C-4383	B-3410-16 B-3410-32		C-7535-1	D-7537	P		P	3		19.620	14.108	C436	TCM	Bulkhead mounts to C-7457 adapter plate
D-7526-2	D-7189	C-4383	B-3410-16 B-3410-32		C-7535-2	D-7537	S		P	3		19.620	14.108	C436	TCM	Bulkhead mounts to C-7457 adapter plate
D-7569	D-7570	C-7568	B-3410-16 B-3410-32		C-7573	D-7572	P		B	2		15.690	11.000	C201, C203	FR TCM	Bulkhead mounts between prop and engine flange
D-7579-1	D-7581-1	C-6359	B-3410-16 B-3410-32		C-6202-1	D-7582	P		P	2		17.564	13.800	C239, C241	TCM	Bulkhead mounts to machined flange on hub (2 B-7772 gaskets used)
D-7579-2	D-7581-2	C-6359	B-3410-16 B-3410-32		C-6202	D-7582	S		P	2		17.564	13.800	C239, C241	TCM	Bulkhead mounts to machined flange on hub (2 B-7772 gaskets used)
D-7587	D-7634	C-6619	B-3410-16 B-3410-32		C-7065	D-7713-5	P		B	2		15.740	13.750	C223	TCM	Old bulkhead D-7633 Bulkhead and adapter plate mounts between prop and engine flange
D-7587-2	D-7634	C-6619	B-3410-16 B-3410-32		C-7065	D-7714-5	P	E	B	2		15.740	13.750	C223	TCM	Old bulkhead D-7633 Bulkhead and slip ring mounts between prop and engine flange
D-7632	D-3876	C-7631	A-4422-1 A-4422-2		NONE	D-3878	S		P	F		14.610	12.000	1A200/WFA	LY	Bulkhead mounts between prop and spacer
D-7725-1	D-7261-1	C-6359	B-3410-16 B-3410-32		NONE	D-7724	P	E	P	3		18.035	13.739	C442	LY	Bulkhead mounts to hub sleeve
D-7725-2	D-7261-2	C-6359	B-3410-16 B-3410-32		NONE	D-7724	S	E	P	3		18.035	13.739	C442	LY	Bulkhead mounts to hub sleeve
D-7779-1	D-7782-1	C-6619	B-3410-16 B-3410-32		NONE	D-7783	P		P	3		15.419	13.816	C443	TCM	Bulkhead mounts to C-3498 hub sleeve
D-7779-2	D-7782-2	C-6619	B-3410-16 B-3410-32		NONE	D-7783	S		P	3		15.419	13.816	C443	TCM	Bulkhead mounts to C-3498 hub sleeve

Spinner Assembly Information

Spinner Assembly P/N	Shell P/N	Front Support P/N	Front Support Shims	Front Bulkhead P/N	Fillet P/N	Rear Bulkhead P/N	Finish	Device	Shape	Blades	Obsolete	Shell Length	Shell Diameter	Propellers	Engine	Notes
D-7833	D-7846	C-7848	A-7632-1 A-7632-2		NONE	C-7849	S		P	F		14.604	13.500	1A135/JCM	LY	Bulkhead mounts between prop and spacer
E-4858	E-4857	B-4854	B-4940-1 B-4940-2		C-5558	E-4854	P	E	P	3		20.850	19.400	C601, C602	HW	Bulkhead mounts to slip ring or D-40094 plate
E-5146	E-4857	B-4864	B-4940-1 B-4940-2		C-5558	E-5134	P	E	P	3		20.850	19.400	C701	PW	Bulkhead mounts to slip ring
E-5325	E-5326	B-4864	B-4940-1 B-4940-2		C-5690-2	E-5327	S	E	P	4		20.850	19.400	C754	PW	Bulkhead mounts to slip ring
E-5369	E-5367	B-5365	B-4940-1 B-4940-2		C-5366	E-5368	P	E	B	4		21.875	19.456	C652	HW	Bulkhead mounts to slip ring
E-5424	E-5441	B-5457	B-4940-1 B-4940-2		C-5552	E-5440	P	E	P	3	X	22.477	18.300	C702	PW	Bulkhead mounts to slip ring Replaced by E-5586
E-5543	E-5544	B-5457	B-4940-1 B-4940-2		C-5566	E-5545	S	E	P	4		22.477	18.300	C754	PW	Bulkhead mounts to slip ring
E-5586	E-5584	B-5457	B-4940-1 B-4940-2		C-5552	E-5440	P	E	P	3		22.477	18.300	C702	PW	Bulkhead mounts to slip ring
E-5586-1	E-5584-1	B-5457	B-4940-1 B-4940-2		C-5566	E-5440	S	E	P	3		22.477	18.300	C702	PW	Bulkhead mounts to slip ring
E-5643	E-5722	B-5457	B-4940-1 B-4940-2		C-5552	E-5924	P	E	P	4		22.477	18.300	C754, C762, C763, C764	PW	Bulkhead mounts to slip ring
E-5732	E-5544	B-5457	B-4940-1 B-4940-2		C-5566	E-5726	S	E	P	4		22.477	18.300	C758	PW	Bulkhead mounts to slip ring
E-6063-1	E-6066	C-6067	B-4940-1 B-4940-2		C-6064	E-6065	B		P	5		25.446	21.000	C1003	PW	Bulkhead mounts to back of hub
E-6083	E-6081	B-4864	B-4940-1 B-4940-2		C-6082	E-6080	P	E	P	4		20.746	19.338	C652, C653, C662	HW	Bulkhead mounts to slip ring or C-7080 adapter plate
E-6083-1	E-6674	B-4864	B-4940-1 B-4940-2		C-6673	E-6080	B	E	P	4		20.746	19.338	C653	HW	Bulkhead mounts to slip ring
E-6327	E-5326-1	B-4864	B-4940-1 B-4940-2		C-5690	E-5327	P	E	P	4		20.850	19.400	C661, C762	HW PW	Bulkhead mounts to slip ring
E-6349	D-6358	C-6359	B-3410-16 B-3410-32		C-6360	D-6357	P		P	3		20.320	14.840	C419	LY	Bulkhead mounts to hub sleeve
E-6350	E-5722	B-6347	B-4940-1 B-4940-2		C-5552	E-5924	P	E	P	4		22.477	18.300	C764, C769, C773	PW	Bulkhead mounts to slip ring or C-7080 adapter plate
E-6383	E-6389	B-4864	B-4940-1 B-4940-2		C-6390	E-6391	P	E	P	3		20.790	19.364	C703	PW	Bulkhead mounts to slip ring or D-6398 adapter plate
E-6466	E-6528	B-6530	B-4940-1 B-4940-2		C-6544	E-6529	B	E	P	5		25.375	22.359	C1101, C1102, C1103, C1104	HW	Bulkhead mounts to slip ring
E-6662	E-5722	B-6347	B-4940-1 B-4940-2		C-5552	E-6664	P	E	P	4		22.477	18.300	C768, C771	PW	Bulkhead mounts to slip ring

Spinner Assembly Information

Spinner Assembly P/N	Shell P/N	Front Support P/N	Front Support Shims	Front Bulkhead P/N	Fillet P/N	Rear Bulkhead P/N	Finish	De-ice	Shape	Bla des	O bs o l e t	Shell Length	Shell Diameter	Propellers	Engine	Notes
E-6756-1	E-6747-1	B-6347	B-4940-1 B-4940-2		C-6746-1	E-6745	P	E	P	4		22.030	18.964	C766, C774	PW	Bulkhead mounts to slip ring
E-6756-2	E-6747-2	B-6347	B-4940-1 B-4940-2		C-6746-2	E-6745	S	E	P	4		22.030	18.964	C766, C774	PW	Bulkhead mounts to slip ring
E-7154	D-7156	B-4854	B-4940-1 B-4940-2		NONE	D-7156	P	E	P	4		16.406	16.320	C665	HW	Bulkhead mounts to slip ring
E-7258	D-7257	C-7313	B-3863		C-7310	D-7309	P	E	P	3		20.058	14.260	C522, C523	TCM	Bulkhead mounts to hub (2 B-7796 gaskets used)
E-7389-1	E-7390-1	C-6530	B-4940-1 B-4940-2		C-7392-1	E-7391	P	E	P	5		23.758	19.354	C1105	HW	Bulkhead mounts to slip ring
E-7389-2	E-7390-2	C-6530	B-4940-1 B-4940-2		C-7392-2	E-7391	S	E	P	5		23.758	19.354	C1105	HW	Bulkhead mounts to slip ring
E-7559-1	E-5326-1	B-7562	B-4940-1 B-4940-2		C-5690	E-5327	P	E	P	4		20.850	19.400	C775	PW	Bulkhead mounts to slip ring
E-7559-2	E-5326	B-7562	B-4940-1 B-4940-2		C-5690-2	E-5327	S	E	P	4		20.850	19.400	C775	PW	Bulkhead mounts to slip ring
E-7590-1	E-7592-1	C-6067	B-4940-1 B-4940-2		C-7593-1	E-7591	P	E	P	5		25.531	18.290	C1008	PW	Bulkhead mounts to slip ring
E-7590-2	E-7592-2	C-6067	B-4940-1 B-4940-2		C-7593-2	E-7591	S	E	P	5		25.531	18.290	C1008	PW	Bulkhead mounts to slip ring
E-7705	E-4857	C-6175	B-3863		C-5558	E-4854	P	E	P	3		20.850	19.400	C529	OE	Bulkhead mounts to slip ring
E-7819	D-7813	C-4383	B-3410-16 B-3410-32		C-7825	D-7814	P		P	3		18.038	15.843	C444 C447	TCM	Bulkhead mounts to C-7834 hub sleeve Uses B-7806 gasket under bolthead
E-7839	D-7842	C-4383-2	B-3410-16 B-3410-32		C-7825	D-7845	P		P	3		19.564	14.578	C447	TCM	Bulkhead mounts to C-7834 hub sleeve Uses B-7806 gasket under bolthead
Finish B - Black Painted Shell P - Polished Shell S - Satin Finish Shell			De-Ice/ Anti-Ice A - Alcohol Anti-Ice E - Electric De-ice			Shape B - Bullet P - Pointed R - Round			Engine Type FR - Franklin HW - Honeywell LY - Textron Lycoming OE - Trace Engines (Orenda) PW - Pratt and Whitney TCM - Teledyne Continental Motors/ Rolls Royce							

Electrothermal De-Ice & Anti-Ice Applications

British Aerospace (OEM) Anti-Ice

Model: **B206 Beagle**
Engine: **GIO-470-A**
Propeller: **2AF36C68/100RFM-X**

<u>Qty.</u>	<u>P/N</u>	<u>Part Description</u>
1	D-2892	Spinner Shell
1	D-2891	Bulkhead and Slinger Ring Assembly
2	A-2782-1	Tube Assembly
2	A-2779-1	Tube - Rubber
2	A-2873-3	Hose Clamp (Rubber Tube to Tube Assembly)
2	A-2873-8	Hose Clamp (Rubber Tube to Slinger Ring)
6	A-2495	Spinner Bulkhead Mounting Lug
12	A-1635-38	Screw (Bulkhead to Lug)
12	A-1639-4	Nut (Bulkhead to Lug)
12	A-1638-8	Washer – Mylar (Bulkhead to Lug)
26	A-1635-39	Screw (Spinner Shell to Bulkhead)
26	A-1638-5	Washer – Fiber (Spinner Shell to Bulkhead)
1	B-3275	Front Support
AR	B-3281-1, -2	Shim – Front Support
2	37572	Feedshoe (Goodrich P/N)
1	B-3706	Instructions

Note 1: Feedshoe standoff dimension is 0.500” +/- 0.125” (measured from top of ferrule).

Note 2: All parts contained in D-2893 kit

Electrothermal De-Ice & Anti-Ice Applications

British Aerospace (OEM)

Anti-Ice

Model: B206 Beagle
Engine: GTSIO-520-C
Propeller: 3AF34C86/90LF-X

<u>Qty.</u>	<u>P/N</u>	<u>Part Description</u>
1	D-3626	Spinner Shell
1	D-3627	Bulkhead and Slinger Ring Assembly
3	A-3656	Tube Assembly
3	A-2779-4	Tube - Rubber
3	A-2873-3	Hose Clamp (Rubber Tube to Tube Assembly)
6	A-2495	Spinner Bulkhead Mounting Lug
12	A-1635-38	Screw (Bulkhead to Lug)
12	A-1639-4	Nut (Bulkhead to Lug)
12	A-1638-8	Washer – Mylar (Bulkhead to Lug)
33	A-1635-39	Screw (Spinner Shell to Bulkhead)
33	A-1638-5	Washer – Fiber (Spinner Shell to Bulkhead)
1	B-3275	Front Support
AR	B-3725-1, -2	Shim – Front Support
2	37572	Feedshoe (Goodrich P/N)
1	B-3706	Instructions

Note 1: Feedshoe standoff dimension is 0.430” +/- 0.125” (measured from top of ferrule)

Note 2: All parts contained in D-3625 kit

Electrothermal De-Ice & Anti-Ice Applications

Beech (OEM)

De-Ice

Model: A36, B36TC, F33A, V35B

Engine: IO-520-BB, TSIO-520-UB, IO-550-B

Propeller: 3A32C406/82NDB-X, D3A32C409/82NDB-X

<u>Qty.</u>	<u>P/N</u>	<u>Part Description</u>
1	D-40238*	Slip Ring Assembly
1	C-40257*	Brush Block Assembly
1	C-40298*	Bracket Assembly
1	C-45114*	Timer (original Timer P/N B-45018 can also be used)
3	B-40245-53*	Deice Boot
3	B-40251*	Restraining Strap
2	B-40024-2*	Spacer
4	B-40030-3*	Spacer
2	A-2513-36	Bolt
4	A-1638-22	Washer
8	A-1638-23	Washer
2	A-1639-22	Nut
2	A-1635-77	Screw
2	A-1638-7	Washer
8	A-1638-21	Shim
3	A-2873-14	Clamp
12	A-1638-18	Washer
6	A-1635-56	Screw
6	A-1639-38	Nut
3	MS35489-42	Grommet
1	D-40242	Installation Drawing

Note 1: Deice boot stand off dimension is 0.375" +/- 0.125"

Note 2: This kit can only be used with D-7168, D-5541, or D-5129 bulkheads (mounts to hub).

Note 3: Plexiglas Brush Block Alignment Gage P/N C-40303 can be used with this installation.

Note 4: * contained in D-40242 kit

Electrothermal De-Ice & Anti-Ice Applications

Beech (OEM)

De-Ice

Model: A36, B36TC, F33A, V35B

Engine: IO-520-BB, TSIO-520-UB, IO-550-B

Propeller: 3A32C406/82NDB-X, D3A32C409/82NDB-X

<u>Qty.</u>	<u>P/N</u>	<u>Part Description</u>
1	D-40720	Slip Ring Assembly
1	C-40257	Brush Block Assembly
1	C-40298	Bracket Assembly
1	C-45114	Timer (original Timer P/N B-45018 can also be used)
3	B-40245-53	Deice Boot
3	B-40251	Restraining Strap
2	B-40024-2	Spacer
4	B-40030-3	Spacer
2	A-2513-36	Bolt
4	A-1638-22	Washer
8	A-1638-23	Washer
2	A-1639-22	Nut
2	A-1635-77	Screw
2	A-1638-7	Washer
8	A-1638-21	Shim
3	A-2873-14	Clamp
12	A-1638-18	Washer
6	A-1635-56	Screw
6	A-1639-38	Nut

Note 1: Deice boot stand off dimension is 0.375" +/- 0.125"

Note 2: This kit can only be used with D-7714-X bulkheads (sandwiched between hub and flange).

Note 3: Plexiglas Brush Block Alignment Gage P/N C-40303 can be used with this installation.

Electrothermal De-Ice & Anti-Ice Applications

Beech (OEM)

Anti-Ice

Model: 50, B50, C50, D50, D50A, D50B, D50C, D50E

Engine: GO-480-C2C6, C2D6, G2D6, G2F6

Propeller: 3AF32C524/90UMB-X

<u>Qty.</u>	<u>P/N</u>	<u>Part Description</u>
1	D-40642*	Slinger Ring Assembly
6	A-2873-8*	Clamp
3	A-2779-2*	Hose
6	A-1635-206*	Screw
6	A-1639-3*	Nut
3	C-40323-82	Feed Shoe (Goodrich P/N 37572)
3	B-40688	Spray Head Assembly
3	A-1635-X	Screw
3	A-1635-5	Screw
1	D-40689	Installation Drawing

Note 1: Feed shoe standoff dimension is 0.330" +/- 0.250".

Note 2: *contained in D-40689 kit

Electrothermal De-Ice & Anti-Ice Applications

Beech (OEM)

Anti-Ice

Model: 95-55

Engine: IO-470-L

Propeller: 3AF32C75/82NB-X

<u>Qty.</u>	<u>P/N</u>	<u>Part Description</u>
1	D-3607*	Spinner Shell Assembly
1	D-3608*	Bulkhead and Slinger Ring Assembly
3	A-3614*	Tube Assembly
3	A-2779-9*	Tube – Rubber
3	A-2873-3*	Hose Clamp
3	A-2873-8*	Hose Clamp
6	A-2495*	Lug – Bulkhead Mounting
12	A-1635-38*	Screw
12	A-1639-4*	Nut
12	A-1638-8*	Washer – Mylar
33	A-1635-39*	Screw
33	A-1638-5*	Washer – Fiber
1	B-3348*	Front Support
AR	B-3725-1, -2*	Shim
3	C-40323-81	Feed Shoe (Goodrich P/N 37572)
1	D-3605	Installation drawing

Note 1: Feed shoe stand off dimension is 0.867” +/- 0.125” (measured from top of ferrule)

Note 2: * contained in D-3605 kit

Electrothermal De-Ice & Anti-Ice Applications

Beech (OEM)

Anti-Ice

Model: 95-55

Engine: IO-470-L

Propeller: 2AF34C55/78FF-0

<u>Qty.</u>	<u>P/N</u>	<u>Part Description</u>
1	D-3461*	Spinner Shell Assembly
1	D-3830*	Bulkhead and Slinger Ring Assembly
2	A-2927*	Tube Assembly
2	A-2779-2*	Tube – Rubber
2	A-2873-3*	Hose Clamp
2	A-2873-8*	Hose Clamp
6	A-2495*	Lug – Bulkhead Mounting
12	A-1635-38*	Screw
12	A-1639-4*	Nut
12	A-1638-8*	Washer – Mylar
26	A-1635-64*	Screw
26	A-1638-5*	Washer – Fiber
1	B-3348*	Front Support
AR	B-3281-1, -2*	Shims
2	C-40323-81	Feed Shoe (Goodrich P/N 37572)
1	B-3706*	Instructions
1	D-3462	Installation Drawing

Note 1: Feedshoe stand off dimension is 1.250” +/- 0.125” (measured from top of ferrule)

Note 2: * contained in D-3462 kit

Electrothermal De-Ice & Anti-Ice Applications

Beech (STC)

De-Ice

Model: 95-55, -A55, -B55, -B55A, -B55B

Engine: IO-470-L

Propeller: 3AF32C504/82NEA-X

<u>Qty.</u>	<u>P/N</u>	<u>Part Description</u>
3	B-40439*	Retainer
6	A-1635-153*	Screw
3	A-20360-1*	Tie Wrap
1	C-40728*	Bracket Assembly
2	A-2513-36*	Bolt
4	B-40030-3*	Spacer
24	A-1638-22*	Washer
2	A-1639-1*	Nut
1	C-40593*	Brush Block Assembly
2	B-40024-3*	Spacer
8	A-1638-21*	Washer
2	A-1638-7*	Washer
2	A-1635-70*	Screw
3	B-40614*	Wire Harness
1	C-45114*	Timer
1	D-40592*	Slip Ring Assembly
12	A-1635-36*	Screw
12	A-1638-20*	Washer
3	B-40245-52	Deice boot (not supplied in kit)
1	D-40730	Installation Drawing

Note 1: Deice boot stand off dimension is 0.230" +0.250"/-0.230"

Note 2: * contained in D-40730 kit

Electrothermal De-Ice & Anti-Ice Applications

Beech (STC)

Anti-Ice

Model: 95-55, -A55, -B55, -B55A, -B55B

Engine: IO-470-L

Propeller: 3AF32C504/82NEA-X

<u>Qty.</u>	<u>P/N</u>	<u>Part Description</u>
1	C-6992*	Adapter Plate
1	D-40727*	Slinger Ring Assembly
6	A-1635-206*	Screw
6	A-1639-3*	Nut
6	A-1638-15*	Washer
12	A-1635-40*	Screw
12	A-1639-38*	Nut
24	A-1638-20*	Washer
6	A-2873-8*	Hose Clamp
3	A-2779-2*	Hose – Rubber
3	B-40302*	Spray Head Assembly
6	A-1635-4*	Screw
3	C-40323-81	Feed Shoe (Goodrich P/N 37572)
1	D-40731	Installation Drawing

Note 1: Feed Shoe stand off dimension is 0.330” +/- 0.250”

Note 2: * contained in D-40731 kit

Electrothermal De-Ice & Anti-Ice Applications

Beech (STC)

Anti-Ice

Model: C55, D55, E55 (No Air Conditioning)

Engine: IO-520-C

Propeller: 3AF32C504/82NEA-X

<u>Qty.</u>	<u>P/N</u>	<u>Part Description</u>
1	D-40642	Slinger Ring Assembly
6	A-1635-206	Screw
6	A-1638-15	Washer
6	A-1639-3	Nut
3	C-40323-81	Feed Shoe (Goodrich P/N 37572)
3	B-40302	Spray Head Assembly
6	A-1635-4	Screw
3	A-2779-2	Hose – Rubber
6	A-2873-8	Hose Clamp
1	D-60142	Drawing
1	C-6992	Adapter Plate (not supplied with kit)

Note 1: Feed shoe stand off dimension is 0.330" +/- 0.250".

Note 2: * contained in PL-60143 kit

Electrothermal De-Ice & Anti-Ice Applications

Beech (STC)

De-ice

Model: C55, C55A, D55, D55A, E55, E55A

Engine: IO-520-C

Propeller: 3AF32C504/82NEA-X

<u>Qty.</u>	<u>P/N</u>	<u>Part Description</u>
3	B-40245-52*	Deice Boot
1	D-40592*	Slip Ring Assembly
3	B-40614*	Wire Harness
3	B-40439*	Retainer
6	A-1635-153*	Screw
3	A-20360-1*	Tie Wrap
3	A-2873-13*	Clamp
3	A-1639-51	Nut
3	A-1635-14*	Screw
3	A-1638-25*	Washer
6	A-1635-63*	Screw
12	A-1638-54*	Washer
12	B-5024*	Spacer
6	A-1639-19*	Nut
1	C-40298*	Bracket Assembly
2	A-2513-36*	Bolt
4	B-40030-3*	Spacer
8	A-1638-23*	Washer
4	A-1638-22*	Washer
2	A-1639-1*	Nut
1	C-40593*	Brush Block Assembly
2	B-40024-2*	Spacer
8	A-1638-21*	Washer
2	A-1638-7*	Washer
2	A-1635-77*	Screw
1	B-4862-422*	Decal
3	B-5725*	Bracket
3	A-1635-5*	Screw
1	D-60125	Drawing
1	C-45114	Timer or (B-45018 Timer, 3E1964-3 Timer (Goodrich P/N))

Note 1: Deice boot stand off dimension is 0.375" +/- 0.125"

Note 2: * contained in D-60125 kit

Electrothermal De-Ice & Anti-Ice Applications

Beech (STC)

Anti-Ice

Model: 58, 58A, E55, E55A

Engine: IO-520-C

Propeller: 3AF32C512/82NEA-X

<u>Qty.</u>	<u>P/N</u>	<u>Part Description</u>
1	D-40642*	Slinger Ring Assembly
3	B-40302*	Spray Head Assembly
6	A-2873-8*	Hose Clamp
3	A-2779-2*	Hose – rubber
6	A-1635-4*	Screw
6	A-1635-76*	Screw
6	A-1638-15*	Washer
6	A-1638-37*	Washer – Mylar
1	B-5280*	Gasket
3	C-40323-81*	Feed Shoe (Goodrich P/N 37572)
1	B-7618	Bulkhead Gasket

Note 1: Feed Shoe stand off dimension is 0.330” +/- 0.250”

Note 2: * contained in PL-60116 kit

Electrothermal De-Ice & Anti-Ice Applications

Beech (STC)

De-Ice

Model: 58, 58A, E55, E55A

Engine: IO-520-C

Propeller: 3AF32C512/82NEA-X

<u>Qty.</u>	<u>P/N</u>	<u>Part Description</u>
3	B-40245-52	Deice Boot
1	D-40283*	Slip Ring Assembly
3	B-40377*	Wire Harness
2	A-20360-4*	Tie Wrap
3	A-40528*	Grommet
3	A-2873-11*	Clamp
3	B-40439*	Retainer
6	A-1635-153*	Screw
3	A-2873-13	Clamp
3	A-20360-1*	Tie Wrap
3	A-1639-51	Nut
3	A-1635-14	Screw
3	A-1638-25	Washer
6	A-1635-63	Screw
12	A-1638-54	Washer
12	A-5024	Spacer
6	A-1639-19	Nut
1	C-40298*	Bracket Assembly
2	A-2513-36*	Bolt
4	B-40030-3*	Spacer
8	A-1638-23*	Washer
4	A-1638-22*	Washer
2	A-1639-1*	Nut
1	C-40257*	Brush Block Assembly
2	B-40024-2*	Spacer
8	A-1638-21*	Washer
2	A-1638-7*	Washer
2	A-1635-77*	Screw
1	B-4862-406	Decal
1	B-4862-463	Decal
3	B-5725	Bracket
3	A-1635-5	Screw
1	D-60115	Installation Drawing (not supplied in either kit)

Note 1: D-60115-1 kit contains all of the parts listed. D-60115-2 only contains parts marked *

Note 2: Deice boot stand off dimension is 0.375" +/- 0.125"

Electrothermal De-Ice & Anti-Ice Applications

Beech (OEM)

Anti-Ice

Model: 58
Engine: IO-550-C
Propeller: 3AF32C512/82NEA-X

<u>Qty.</u>	<u>P/N</u>	<u>Part Description</u>
1	D-40289*	Slinger Ring Assembly
3	B-40302*	Spray Head Assembly
1	B-5280*	Gasket
6	A-2873-8	Hose Clamp
3	A-2779-2	Hose – Rubber
6	A-1635-4	Screw
3	C-40323-81	Feed Shoe (Goodrich P/N 37572)
1	D-40269	Installation Drawing

Note 1: Feed shoe stand off dimension is 0.330” +/- 0.250”

Note 2: * contained in D-40269 kit

Electrothermal De-Ice & Anti-Ice Applications

Beech (OEM)

Anti-Ice

Model: 58

Engine: IO-520-C

Propeller: D2AF34C30/78FF-X

<u>Qty.</u>	<u>P/N</u>	<u>Part Description</u>
1	D-3461*	Spinner Shell Assembly
1	D-4048*	Bulkhead and Slinger Ring Assembly
2	A-2927*	Tube Assembly
2	A-2779-2*	Tube – Rubber
2	A-2873-3*	Hose Clamp
2	A-2873-8*	Hose Clamp
12	A-1638-4*	Washer
12	A-1635-71*	Screw
12	A-1639-14*	Nut
12	A-1638-27*	Washer – Mylar
1	B-4414*	Spacer – Spinner Bulkhead
26	A-1635-39*	Screw
26	A-1638-5*	Washer – Fiber
1	B-3348*	Front Support
AR	B-3281-1, -2*	Shims
2	37572	Feed Shoe (Goodrich P/N)
1	D-4046	Installation Drawing

Note 1: Feed shoe stand off dimension is 1.250” +/- 0.125” measured from top of ferrule.

Note 2: * contained in D-4046 kit

Electrothermal De-Ice & Anti-Ice Applications

Beech (OEM)

Anti-Ice

Model: 58

Engine: IO-520-C

Propeller: D3AF32C35/82NB-X

<u>Qty.</u>	<u>P/N</u>	<u>Part Description</u>
1	D-3607*	Spinner Shell Assembly
1	D-4150*	Bulkhead and Slinger Ring Assembly
3	A-2873-2*	Clamp
3	A-1635-39*	Screw
3	A-1638-5*	Washer
3	A-1639-4*	Nut
3	A-3614*	Tube Assembly
3	A-2779-3*	Tube – Rubber
3	A-2873-3*	Hose Clamp
3	A-2873-8*	Hose Clamp
12	A-1638-4*	Washer
12	A-1635-71*	Screw
12	A-1639-14*	Nut
12	A-1638-27*	Washer – Mylar
1	B-4414*	Spacer – Spinner Bulkhead
33	A-1635-39*	Screw
33	A-1638-5*	Washer – Fiber
1	B-3348*	Front Support
AR	B-3725-1, -2*	Shims
2	37572	Feed Shoe (Goodrich P/N)
1	D-4069	Installation Drawing

Note 1: Feed shoe stand off dimension is 1.250” +/- 0.125” measured from top of ferrule.

Note 2: * contained in D-4069 kit

Electrothermal De-Ice & Anti-Ice Applications

Beech (OEM)

De-Ice

Model: 58, 58P, 58PA, 58TC, 58TCA

Engine: IO-550-C, TSIO-520-L, -LB, -WB

Propeller: 3AF32C511/82NEA-X, 3AF32C512/82NEA-X

<u>Qty.</u>	<u>P/N</u>	<u>Part Description</u>
3	B-40245-52*	Deice Boot
1	D-40283*	Slip Ring Assembly
3	B-40377*	Wire Harness
2	A-20360-4*	Tie Wrap
3	A-40528*	Grommet
3	A-2873-11*	Clamp
3	B-40439*	Retainer
6	A-1635-153*	Screw
3	A-2873-13*	Clamp
3	A-20360-1*	Tie Wrap
3	A-1639-51*	Nut
3	A-1635-14*	Screw
3	A-1638-25*	Washer
6	A-1635-63*	Screw – Terminal
12	A-1638-54*	Washer – Terminal
12	B-5024*	Insulator
6	A-1639-19*	Nut – Terminal
1	C-40298*	Bracket Assembly
2	A-2513-36*	Bolt
4	B-40024-3*	Spacer
8	A-1638-23*	Washer – Shim
4	A-1638-22*	Washer
2	A-1639-1*	Nut
1	C-40257*	Brush Block Assembly
2	B-40024-2*	Spacer
8	A-1638-21*	Washer- Shim
2	A-1638-7*	Washer
2	A-1635-77*	Screw
3	B-5725*	Blade shank Bracket
3	A-1635-5*	Screw
1	C-45114	Timer (B-45018 and 3E1964-3 (Goodrich P/N) can also be used)
1	D-40268	Installation Drawing

Note 1: Deice boot stand off dimension is 0.375” +/- 0.125”

Note 2: * contained in D-40268 kit

Note 3: Single element de-ice

Electrothermal De-Ice & Anti-Ice Applications

Beech (STC)

De-Ice

Model: 58P, 58PA, 58TC, 58TCA

Engine: TSIO-520-L, -LB, -WB

Propeller: 3AF32C521/82NLA-X

<u>Qty.</u>	<u>P/N</u>	<u>Part Description</u>
1	D-40283*#	Slip Ring Assembly
1	C-40257*#	Brush Block Assembly
2	B-40024-2*#	Spacer
2	A-1635-77	Screw
2	A-1638-7	Washer
8	A-1638-21	Washer- Shim
1	C-40298*#	Bracket Assembly
4	B-40024-3*#	Spacer
2	A-2513-36	Bolt
4	A-1638-22	Washer
2	A-1639-22	Nut
8	A-1638-23	Washer – Shim
3	B-40245-52*	Deice Boot
3	B-5725*	Blade shank Bracket
12	B-5024*	Insulator
6	A-1635-63	Screw – Terminal
12	A-1638-54	Washer – Terminal
6	A-1639-19	Nut – Terminal
3	A-2873-13	Clamp
3	A-1635-14	Screw
3	A-1638-25	Washer
3	A-1639-55	Nut
3	B-40377*#	Wire Harness
3	B-40439*#	Retainer
6	A-1635-153	Screw
3	A-2873-11	Clamp
3	A-40528	Grommet
3	A-20360-4	Tie Wrap
3	A-1635-5*	Screw
3	A-20360-1	Tie Wrap
1	D-40636	Installation Drawing

Note 1: Deice boot stand off dimension is 0.375” +/- 0.125”

Note 2: PL-40640 kit contains items marked *, PL-40646 kit contains items marked #.

Note 3: Both kits are for **Single** element De-ice

Electrothermal De-Ice & Anti-Ice Applications

Beech (STC)

De-Ice

Model: 58P, 58PA, 58TC, 58TCA

Engine: TSIO-520-L, -LB, -WB

Propeller: 3AF32C521/82NLA-X

<u>Qty.</u>	<u>P/N</u>	<u>Part Description</u>
1	D-40106*#	Slip Ring Assembly
1	C-40179*#	Brush Block Assembly
2	B-40024-2*#	Spacer
2	A-1635-77	Screw
2	A-1638-7	Washer
8	A-1638-21	Washer- Shim
1	C-40029*#	Bracket Assembly
4	B-40024-3*#	Spacer
2	A-2513-36	Bolt
4	A-1638-22	Washer
2	A-1639-22	Nut
8	A-1638-23	Washer – Shim
3	B-40183-18*	Deice Boot
3	B-5725*	Blade shank Bracket
18	B-5024*	Insulator
9	A-1635-63	Screw – Terminal
18	A-1638-54	Washer – Terminal
9	A-1639-19	Nut – Terminal
3	A-2873-13	Clamp
3	A-1635-14	Screw
3	A-1638-25	Washer
3	A-1639-55	Nut
3	B-40638*#	Wire Harness
3	B-40439*#	Retainer
6	A-1635-153	Screw
3	A-2873-11	Clamp
3	A-40528	Grommet
3	A-20360-4	Tie Wrap
3	A-1635-5*	Screw
3	A-20360-1	Tie Wrap
1	D-40637	Installation Drawing

Note 1: Deice boot stand off dimension is 0.375” +/- 0.125”

Note 2: PL-40641 kit contains items marked *, PL-40647 kit contains items marked #.

Note 3: Both kits are for **Dual** element De-ice

Electrothermal De-Ice & Anti-Ice Applications

Beech (STC) De-Ice

Model: A90, A90-1, A90-4, B90, C90 (LJ-502 thru LJ-583)

Engine: PT6A-20

Propeller: 4HFR34C763/94LMA-X

<u>Qty.</u>	<u>P/N</u>	<u>Part Description</u>
1	C-40257	Brush Block Assembly
2	A-1638-7	Washer
2	A-1635-77	Screw
2	B-40024-9	Spacer
16	A-1638-21	Shim
1	C-40536	Bracket Assembly
1	D-40364	Slip Ring Assembly
4	B-40245-52	Deice Boot
4	B-40330	Wiring Harness
4	A-2873-10	Clamp
8	A-1635-56	Screw
8	A-1638-18	Washer
4	B-4971	Blade Shank Bracket
4	A-1635-5	Screw
8	A-1635-63	Screw
16	A-1638-54	Washer
16	B-5024	Insulator
8	A-1639-19	Nut
4	A-2873-9	Clamp
4	A-1635-14	Screw
4	A-1638-25	Washer
4	A-1639-51	Nut
8	A-20360-3	Tie Wrap
1	C-45114	Timer (or use B-45018)
1	B-60010	Mounting Plate
1	A-60006	Circuit Breaker Switch
4	A-60059	Circuit Breaker
1	A-60024	Pin Extraction Tool
1	D-60029	Installation Drawing

Note 1: Deice boot stand off dimension is 0.375" +/- 0.125"

Electrothermal De-Ice & Anti-Ice Applications

Beech (STC)

De-Ice

Model: C90 (LJ-584 and up), C90A, E90

Engine: PT6A-20A, -21, -28

Propeller: 4HFR34C762/94LMA-X

<u>Qty.</u>	<u>P/N</u>	<u>Part Description</u>
1	C-40257	Brush Block Assembly
2	B-40024-9	Spacer
2	A-1638-7	Washer
2	A-1635-77	Screw
16	A-1638-21	Shim
1	C-40536	Bracket Assembly
1	D-40364	Slip Ring Assembly
4	B-40245-52	Deice Boot
4	B-40330	Wiring Harness
4	A-2873-10	Clamp
8	A-1635-56	Screw
8	A-1638-18	Washer
4	B-4971	Blade Shank Bracket
4	A-1635-5	Screw
8	A-1635-63	Screw
16	A-1638-54	Washer
16	B-5024	Insulator
8	A-1639-19	Nut
4	A-2873-9	Clamp
4	A-1635-14	Screw
4	A-1638-25	Washer
4	A-1639-51	Nut
8	A-20360-3	Tie Wrap
1	A-60006	Circuit Breaker Switch
1	A-60024	Pin Extraction Tool
1	D-60019	Installation Drawing
1	C-45114*	Timer (or use B-45018)
1	B-60010*	Mounting Plate

Note 1: Deice boot stand off dimension is 0.375" +/- 0.125"

Note 2: * PL-60022 required on S/N LJ-584 thru LJ-953, and LW-1 thru LW-347 only

Electrothermal De-Ice & Anti-Ice Applications

Beech (OEM)

De-Ice

Model: C90A

Engine: PT6A-21

Propeller: 4HFR34C768/94LMA-X

<u>Qty.</u>	<u>P/N</u>	<u>Part Description</u>
4	B-40245-56	Deice Boot
16	A-20360-1	Tie Wrap
4	B-4971	Blade Shank Bracket
4	A-1635-5	Screw
4	B-40585	Wiring Harness
8	A-20360-3	Tie Wrap
4	A-2873-5	Clamp
4	A-1635-56	Screw
4	A-1638-18	Washer
1	D-40364	Slip Ring Assembly
1	C-40257	Brush Block Assembly
2	B-40024-9	Spacer
8	A-1638-21	Shim
2	A-1638-7	Washer
2	A-1635-77	Screw
1	C-40536	Bracket Assembly
1	C-45114	Timer (or use B-45018)
1	D-40560	Installation Drawing

Note 1: Deice boot stand off dimension is 0.375" +/- 0.125"

Electrothermal De-Ice & Anti-Ice Applications

Beech (STC)

De-Ice

Model: 99, 99A, A99, A99A, B99, C99

Engine: PT6A-20, -27, -28, -36

Propeller: 4HFR34C769/94LMA-X , 4HFR34C773/94LMA-X

<u>Qty.</u>	<u>P/N</u>	<u>Part Description</u>
1	C-40179*	Brush Block Assembly
2	A-1638-7*	Washer
2	A-1635-77*	Screw
2	B-40024-9*	Spacer
8	A-1638-21*	Shim
1	C-40537*	Bracket Assembly
1	D-40354	Slip Ring Assembly
8	A-1635-15	Screw
12	A-1635-36	Washer
12	A-1638-20	Washer
4	B-40245-56	Deice Boot
4	B-40585	Wiring Harness
4	A-2873-5	Clamp
4	A-1635-56	Screw
4	A-1638-18	Washer
4	B-4971	Blade Shank Bracket
4	A-1635-5	Screw
8	A-1639-19	Nut
8	A-1638-17	Nut
16	A-20360-1	Tie Wrap
8	A-20360-3	Tie Wrap
1	C-45127-3	Timer and Mounting Plate Assembly (includes B-45118 timer)
1	A-60006	Circuit Breaker Switch (used on all aircraft except C99)
4	A-60176	Circuit Breaker Switch (used on C99 only)
1	D-60175	Installation Drawing

Note 1: Deice boot stand off dimension is 0.375" +/- 0.125"

Note 2: * contained in PL-40582 kit

Electrothermal De-Ice & Anti-Ice Applications

Beech (STC)

De-Ice

Model: 100, A100

Engine: PT6A-28, -34

Propeller: 4HFR34C762/94LMA-X

<u>Qty.</u>	<u>P/N</u>	<u>Part Description</u>
1	C-40257	Brush Block Assembly
2	A-1635-77	Screw
2	A-1638-7	Washer
16	A-1638-21	Shim
2	B-40024-9	Spacer
1	C-40536	Bracket Assembly
1	C-45114	Timer (or use B-45018)
1	C-60055	Timer Mounting Plate
1	D-40364	Slip Ring Assembly
4	B-40245-52	Deice Boot
4	B-40330	Wiring Harness
4	A-2873-10	Clamp
8	A-1635-56	Screw
8	A-1638-18	Washer
4	B-4971	Blade Shank Bracket
8	A-1635-63	Screw
16	A-1638-54	Washer
16	B-5024	Insulator
8	A-1639-19	Nut
4	A-2873-9	Clamp
4	A-1635-14	Screw
4	A-1638-25	Washer
4	A-1639-51	Nut
8	A-20360-3	Tie Wrap
1	A-60006	Circuit Breaker Switch
1	D-60044	Installation Drawing

Note 1: Deice boot stand off dimension is 0.375" +/- 0.125"

Electrothermal De-Ice & Anti-Ice Applications

Beech (STC)

De-Ice

Model: B100
Engine: TPE331-6, -10
Propeller: 5HFR34C1105/96LRB-X

<u>Qty.</u>	<u>P/N</u>	<u>Part Description</u>
5	B-40245-52	Deice Boot
5	B-4971	Blade Shank Bracket
5	A-1635-5	Screw
20	A-20360-1	Tie Wrap
5	B-40585	Wiring Harness
10	A-20360-3	Tie Wrap
5	A-2873-5	Clamp
5	A-1635-56	Screw
5	A-1638-18	Washer
1	D-40663	Slip Ring Assembly
10	A-1635-15	Screw
10	A-1638-25	Washer
12	A-1635-36	Screw
12	A-1638-20	Washer
1	C-40685*	Brush Block Assembly
2	A-1635-100*	Screw
2	A-1638-7*	Washer
2	B-40024-8*	Spacer
8	A-1638-21*	Shim
1	C-40684*	Bracket Assembly
1	C-40683*	Transducer Bracket
1	C-45114	Timer (or use B-45018)
2	B-60209	Circuit Breaker Switch
1	D-60206	Installation Drawing
1	D-7414	Installation Drawing

Note 1: Deice boot stand off dimension is 0.375" +/- 0.125"

Note 2: * contained in PL-40669 kit

Electrothermal De-Ice & Anti-Ice Applications

Beech (OEM)

De-Ice

Model: A200CT (RC-12K, RC-12L, RC-12N, RC-12P, RC-12Q)

Engine: PT6A-67

Propeller: 4JFR34C758/106LNA-X

<u>Qty.</u>	<u>P/N</u>	<u>Part Description</u>
4	B-40245-54	Deice Boot
16	A-20360-3	Tie Wrap
4	B-4971	Bracket
4	A-1635-5	Screw
4	B-40452	Wire Harness
4	A-2873-5	Clamp
4	A-1635-56	Screw
4	A-1638-18	Washer
1	D-40420	Slip Ring Assembly
1	C-40463	Brush Block Assembly
2	B-40024-8	Spacer
2	A-1635-77	Screw
2	A-1638-7	Washer
8	A-1638-21	Shims
1	C-40448	Bracket

Note 1: Deice boot stand off dimension is 0.00" to 0.125".

Electrothermal De-Ice & Anti-Ice Applications

Beech (OEM)

De-Ice

Model: B200, B200C (C-12F, UC-12M), B200CT, B200T

Engine: PT6A-42

Propeller: 3GFR34C702/100LA-X

<u>Qty.</u>	<u>P/N</u>	<u>Part Description</u>
3	B-40245-56	Deice Boot
6	A-1635-63	Screw
12	A-1638-17	Washer
12	B-5024	Insulator
6	A-1639-19	Nut
3	B-4878	Bracket
3	A-1635-5	Screw
3	A-2873-9	Clamp
3	A-1635-14	Screw
3	A-1638-25	Washer
3	A-1639-51	Nut
3	B-40276	Wiring Harness
3	A-2873-10	Clamp
6	A-1635-56	Screw
6	A-1638-18	Washer
1	D-40260	Slip Ring Assembly
1	C-40257	Brush Block Assembly
2	B-40024-9	Spacer
12	A-1638-21	Shim
2	A-1638-7	Washer
2	A-1635-77	Screw
1	C-40536	Bracket Assembly
1	C-45114	Timer (or use B-45018)
1	D-40274	Installation Drawing

Note 1: Deice boot stand off dimension is 1.125" +/- 0.125"

Electrothermal De-Ice & Anti-Ice Applications

Beech (OEM)

De-Ice

Model: B200C (C-12F)
Engine: PT6A-42
Propeller: 4HFR34C754/94LA-X

<u>Qty.</u>	<u>P/N</u>	<u>Part Description</u>
4	B-40245-52	Deice Boot
8	A-1635-63	Screw
16	A-1638-54	Washer
16	B-5024	Insulator
8	A-1639-19	Nut
4	B-4971	Bracket
4	A-1635-5	Screw
4	B-40330	Wiring Harness
4	A-2873-9	Clamp
4	A-1635-14	Screw
4	A-1638-25	Washer
4	A-1639-51	Nut
8	A-20360-3	Tie Wrap
4	A-2873-10	Clamp
8	A-1635-56	Screw
8	A-1638-18	Washer
1	D-40364	Slip Ring Assembly
1	C-40363	Brush Block Assembly
2	B-40024-9	Spacer
8	A-1638-21	Shim
2	A-1638-7	Washer
2	A-1635-77	Screw
1	C-40536	Bracket Assembly
1	C-45114	Timer (or use B-45018)
1	D-40365	Installation Drawing

Note 1: Deice boot stand off dimension is 0.375" +/- 0.125"

Electrothermal De-Ice & Anti-Ice Applications

Beech (OEM)

De-Ice

Model: B200, B200C (C-12F, C-12R), B200CT, B200T

Engine: PT6A-42

Propeller: 4HFR34C771/94LA-X

<u>Qty.</u>	<u>P/N</u>	<u>Part Description</u>
4	B-40245-56	Deice Boot
16	A-20360-1	Tie Wrap
4	B-4971	Blade Shank Bracket
4	A-1635-5	Screw
4	B-40585	Wiring Harness
8	A-20360-3	Tie Wrap
4	A-2873-5	Clamp
4	A-1635-56	Screw
4	A-1638-18	Washer
1	D-40364	Slip Ring Assembly
1	C-40257	Brush Block Assembly
2	B-40024-9	Spacer
8	A-1638-21	Shim
2	A-1638-7	Washer
2	A-1635-77	Screw
1	C-40536	Bracket Assembly
1	C-45114	Timer (or use B-45018)
1	D-40560	Installation Drawing

Note 1: Deice boot stand off dimension is 0.375" +/- 0.125"

Electrothermal De-Ice & Anti-Ice Applications

Beech (STC)

De-Ice

Model: A100-1, 200, 200C, 200T, 200CT, A200C, A200CT, B200, B200C, B200C, B200T, B200CT, C-12D, C-12F, FWC-12D, RC-12D, UC-12B, U-21J

Engine: PT6A-41, -42

Propeller: 4HFR34C754/94LA-X

<u>Qty.</u>	<u>P/N</u>	<u>Part Description</u>
4	B-40245-52	Deice Boot
8	A-1635-63	Screw
16	A-1638-54	Washer
16	B-5024	Insulator
8	A-1639-19	Nut
4	B-4971	Bracket
4	A-1635-5	Screw
4	B-40330	Wiring Harness
4	A-2873-9	Clamp
4	A-1635-14	Screw
4	A-1638-25	Washer
4	A-1639-51	Nut
8	A-20360-3	Tie Wrap
4	A-2873-10	Clamp
8	A-1635-56	Screw
8	A-1638-18	Washer
1	D-40364	Slip Ring Assembly
1	C-40257	Brush Block Assembly
2	B-40024-9	Spacer
16	A-1638-21	Shim
2	A-1638-7	Washer
2	A-1635-77	Screw
1	C-40536	Bracket Assembly
1	C-45116*	Timer (or use B-45043)
1	B-60010*	Mounting Plate
1	A-60008	Ammeter (Beech P/N 90-3800007-13)
1	A-60006	Circuit Breaker Switch
4	A-60059*	Circuit Breaker
2	A-60014*	Socket – 0.094” diameter
2	A-60013*	Pin – 0.094” diameter
5	A-60013	Pin – 0.094” diameter
1	A-60012	Pin Extraction Tool
1	D-40034	Installation Drawing

Note 1: Deice boot stand off dimension is 0.375” +/- 0.125”

Note 2: * PL-60035 (needed when converting from dual element to single element)

Electrothermal De-Ice & Anti-Ice Applications

Beech (STC)

De-Ice

Model: 200, 200C, 200T, 200CT, A200C, A200CT, B200, B200C, B200C, B200T, B200CT, C-12D, C-12F, FWC-12D, RC-12D, UC-12B

Engine: PT6A-41, -42

Propeller: 5HFR34C1008/96LTA-0

<u>Qty.</u>	<u>P/N</u>	<u>Part Description</u>
5	B-40245-56	Deice Boot
20	A-20360-1	Tie Wrap
5	B-4971	Bracket
5	A-1635-5	Screw
5	B-40585	Wiring Harness
10	A-20360-3	Tie Wrap
5	A-2873-5	Clamp
5	A-1635-40	Screw
5	A-1638-20	Washer
1	D-40663	Slip Ring Assembly
1	C-40685	Brush Block Assembly
2	B-40024-8	Spacer
8	A-1638-21	Shim
2	A-1638-7	Washer
2	A-1635-77	Screw
1	C-40708	Bracket Assembly
1	A-60270	Ammeter
2	A-60268	Circuit Breaker
1	A-60269	Circuit Breaker Switch
4	A-60271*	Circuit Breaker
1	C-45127-2*	Timer and Mounting Plate Assembly (includes C-45116 timer)
1	D-40034	Installation Drawing
1	D-7610	Installation Drawing

Note 1: Deice boot stand off dimension is 0.375" +/- 0.125"

Note 2: * Needed when converting from dual element to single element

Electrothermal De-Ice & Anti-Ice Applications

Cessna (OEM)

De-Ice

Model: T182, TR182
Engine: O-540-L3C5D
Propeller: B3D32C407/82NDA-X

<u>Qty.</u>	<u>P/N</u>	<u>Part Description</u>
1	D-40158	Slip Ring and Starter Ring Gear Assembly
1	C-40179	Brush Block Assembly
2	B-40024-7	Spacer
8	A-1638-21	Shim
4	A-1638-7	Shim
4	A-1638-25	Shim
2	A-1635-100	Screw
2	A-1638-21	Washer
1	C-40136	Bracket Assembly
1	A-2513-85	Bolt
1	A-2513-86	Bolt
2	A-1638-4	Washer
2	A-40137	Spacer

Note 1: The C-40179 brush block assembly replaced the C-40010 brush block assembly. The C-40010 brush block assembly is no longer available but the C-40012 brush assembly still is.

Note 2: All parts contained in PL-40182 kit.

Electrothermal De-Ice & Anti-Ice Applications

Cessna (OEM)

De-Ice

Model: T182T, 206H, T206H

Engine: TIO-540-AK1A, IO-540-AC1A5, TIO-540-AJ1A

Propeller: B3D36C442/80VSB-X, B3D36C432/80VSA-X

<u>Qty.</u>	<u>P/N</u>	<u>Part Description</u>
3	B-40245-53	Deice Boot
3	B-40251	Restrainer Strap
3	A-2873-14*	Clamp
6	A-1635-40*	Screw
12	A-1638-26*	Washer
6	A-1639-38*	Nut
3	A-40659*	Grommet
3	A-40519*	Terminal Strip
6	A-1635-139*	Screw
6	A-1639-19*	Nut
12	A-1638-19*	Washer
3	B-40705*	Wire Lead Assembly
1	A-20360-4*	Tie Wrap
6	A-2513-90*	Bolt
8	A-1638-7*	Washer
1	D-40498*	Slip Ring and Starter Ring Gear Assembly
1	C-40660*	Brush Block Assembly
1	C-40494*	Bracket Assembly
2	A-1638-21*	Shim
2	B-40024-7*	Spacer
2	A-40658*	Spacer
2	A-1638-4*	Washer
1	A-2513-85*	Bolt
2	A-1635-100*	Screw
1	A-40137*	Spacer
1	A-40658-1*	Spacer
1	E-40656	Installation Drawing

Note 1: Deice boot stand off dimension is 0.375" +/- 0.063"

Note 2: * contained in E-40656 kit

Electrothermal De-Ice & Anti-Ice Applications

Cessna (OEM)

De-Ice

Model: TU206G

Engine: TSIO-520-M

Propeller: D3A34C402/90DFA-X

<u>Qty.</u>	<u>P/N</u>	<u>Part Description</u>
1	D-40106*	Slip Ring Assembly
1	C-40187*	Brush Block Assembly (original P/N C-40055)
2	B-40024-3*	Spacer
8	A-1638-21*	Shims
2	A-1635-70*	Screws
2	A-1638-7*	Washers
1	C-40057*	Bracket Assembly
4	B-40030-4*	Spacer
8	A-1638-23*	Shims
4	A-1638-22*	Washers
2	A-2513-40*	Bolt
2	A-1639-22*	Nut
1	C-40217	Installation Drawing

Note 1: * contained in PL-40218 kit

Electrothermal De-Ice & Anti-Ice Applications

Cessna (OEM)

De-Ice

Model: 208, 208A, 208B
Engine: PT6A-114, -114A
Propeller: 3GFR34C703/106GA-X

<u>Qty.</u>	<u>P/N</u>	<u>Part Description</u>
3	B-40245-54	Deice Boot
12	A-20360-1*	Tie Strap
3	B-4971	Blade Shank Bracket
3	A-1635-5	Screw
3	B-40531*	Wire Harness
6	A-20360-3*	Tie Strap
3	A-2873-6*	Clamp
6	A-1635-56*	Screw
6	A-1638-18*	Washer
1	D-40260	Slip Ring Assembly
1	C-40257*	Brush Block Assembly
2	B-40024-9*	Spacer
2	A-1635-77*	Screw
2	A-1638-7*	Washer
12	A-1638-21*	Washer
1	C-40536*	Bracket Assembly
1	C-45133*	Timer (or use B-45052)
1	D-40517	Installation Drawing

Note 1: Deice boot stand off dimension is 0.250" to 0.375".

Note 2: * contained in PL-40722 kit

Electrothermal De-Ice & Anti-Ice Applications

Cessna (OEM)

Model: 208, 208A, 208B

Engine: PT6A-114, -114A

Propeller: 3GFR34C703/106GA-X

Anti-Ice (TKS)

<u>Qty.</u>	<u>P/N</u>	<u>Part Description</u>
3	C-40323-83	Feed shoe
3	13125-07*#	Feed Tube
33	A-2773-1*	Rivets
3	13125-05*#	Propeller Nozzle Bracket
9	A-2513-104*	Bolt
9	A-1639-40*	Nut
9	A-1638-7*	Washer
3	13125-03*#	Clamping Plate
1	13125-01*#	Slinger Ring

Note 1: Feed Shoe stand off dimension is 0.625" to 0.875".

Note 2: * Part of E-7856 Bulkhead Assembly.

Note 3: # TKS P/N's

Electrothermal De-Ice & Anti-Ice Applications

Cessna (STC)

De-Ice

Model: 208, 208A, 208B
Engine: PT6A-114, -114A
Propeller: 4HFR34C775/96MGA-0

<u>Qty.</u>	<u>P/N</u>	<u>Part Description</u>
4	B-40245-54*	Deice Boot
16	A-20360-1*	Tie Wrap
4	B-4971*	Bracket
4	A-1635-5*	Screw
4	B-40585*	Wire Harness
8	A-20360-3*	Tie Wrap
4	A-2873-10*	Clamp
8	A-1635-56*	Screw
8	A-1638-18*	Washer
4	D-40364*	Slip Ring Assembly
1	C-40257#	Brush Block Assembly
2	A-1635-77#	Screw
2	B-40024-9#	Spacer
2	A-1638-7#	Washer
AR	A-1638-21#	Washer
1	C-40536#	Bracket Assembly
1	A-60293	Circuit Breaker
1	B-40732	Switch/Relay Assembly
1	A-60267*	Ammeter
1	D-60275*	Installation Drawing
1	D-7670	Installation Drawing

Note 1: Deice boot stand off dimension is 0.375" +/- 0.125"

Note 2: This installation uses the optional D-40305 Brush Block Alignment Gage

Note 3: * Part of PL-60285 (McCauley to McCauley) and PL-60286 (Hartzell to McCauley) STC kits.

Note 4: # Part of PL-40644 deice kit (The PL-40644 deice kit is part of the PL-60286 STC kit)

Electrothermal De-Ice & Anti-Ice Applications

Cessna (OEM)

De-Ice

Model: 210N, 210R, P210N, T210N

Engine: IO-520-L, TSIO-520-P, TSIO-520-AF, TSIO-520-R

Propeller: D3A34C404/80VA-X, D3A34C402/90DFA-X

<u>Qty.</u>	<u>P/N</u>	<u>Part Description</u>
1	D-40106	Slip Ring Assembly (no pulley)
1	D-40148*	Slip Ring and Pulley Assembly (single groove pulley)
1	D-40226**	Slip Ring and Pulley Assembly (double groove pulley)
1	C-40187	Brush Block Assembly (original P/N C-40055)
2	B-40024-3	Spacer
8	A-1638-21	Shims
2	A-1635-70	Screws
2	A-1638-7	Washers
1	C-40057	Bracket Assembly
4	B-40030-4	Spacer
8	A-1638-23	Shims
4	A-1638-22	Washers
2	A-2513-40	Bolt
2	A-1639-22	Nut

Note 1: * Used with air conditioning

Note 2: ** Used with dual alternators

Electrothermal De-Ice & Anti-Ice Applications

Cessna (OEM)

De-Ice

Model: P210R, T210R

Engine: TSIO-520-CE

Propeller: D3A36C410/80VMB-X

<u>Qty.</u>	<u>P/N</u>	<u>Part Description</u>
3	B-4878	Bracket
3	A-1635-5	Screw
1	D-40106	Slip Ring Assembly (no pulley)
1	D-40148*	Slip Ring and Pulley Assembly (single groove pulley)
1	D-40226**	Slip Ring and Pulley Assembly (double groove pulley)
1	C-40187	Brush Block Assembly
2	B-40024-3	Spacer
8	A-1638-21	Shims
2	A-1635-70	Screws
2	A-1638-7	Washers
1	C-40057	Bracket Assembly
4	B-40030-4	Spacer
8	A-1638-23	Shims
4	A-1638-22	Washers
2	A-2513-40	Bolt
2	A-1639-22	Nut

Note 1: * Used with air conditioning

Note 2: ** Used with dual alternators

Electrothermal De-Ice & Anti-Ice Applications

Cessna (STC)

Deice

Model: 300, 350, 400

Engine: IO-550-N, TSIO-550-C

Propeller: D3A34C444/78MLA-X, D3A34C447/78MLA-X

<u>Qty.</u>	<u>P/N</u>	<u>Part Description</u>
3	B-40245-60*	Deice boot (28V)(350 and 400)
3	B-40245-61	Deice boot (14V)(300 and 350)
3	B-40251*	Restrainer Strap
3	A-2873-14*	Clamp
6	A-1635-40*	Screw
12	A-1638-26*	Washer
6	A-1639-38*	Nut
2	A-20360-4*	Nylon Tie Wrap

Note 1: Deice boot stand off dimension is 0.375" +/- 0.063"

Note 2: * contained in PL-60351 kit

Electrothermal De-Ice & Anti-Ice Applications

Cessna (OEM)

De-Ice

Model: T303

Engine: TSIO-520-AE, LTSIO-520-AE

Propeller: 3AF32C506/82NEA-X, 3AF32C507/L82NEA-X

<u>Qty.</u>	<u>P/N</u>	<u>Part Description</u>
3	B-40183-19	Deice boot (Can also use the B-40183 -01 or B-40183-03, but all three must be the same)
9	A-1635-63	Screw
18	A-1638-17	Washer
18	B-5024	Insulator
9	A-1639-19	Nut
3	B-4878	Bracket (used on C506 propeller)
3	B-4971	Bracket (used on C507 propeller)
3	A-1635-5	Screw
3	A-2873-5	Clamp
3	A-1635-40	Screw
3	A-1638-18	Washer
3	A-1639-38	Nut
1	D-40106	Slip Ring Assembly
1	C-40187	Brush Block Assembly
2	B-40024-3	Spacer
8	A-1638-21	Shim
2	A-1635-70	Screw
2	A-1638-7	Washer
1	C-40057	Bracket Assembly
4	B-40030-4	Spacer
2	A-2513-88	Bolt
4	A-1638-22	Washer
2	A-1639-1	Nut
8	A-1638-23	Shim
1	C-40215	Installation Drawing

Note 1: Deice boot stand off dimension is 0.230" + 0.250"/ - 0.230"

Electrothermal De-Ice & Anti-Ice Applications

Cessna (STC)

De-Ice

Model: 310C, D, E, F, G, H, E310H, 310I, 310J-1

Engine: IO-470-D, -U

Propeller: 3AF32C528/82NEA-X

<u>Qty.</u>	<u>P/N</u>	<u>Part Description</u>
3	B-40183-19	Deice Boot
9	A-1635-202	Screw
18	A-1638-17	Washer
18	B-5024	Insulator
9	A-1639-19	Nut
3	B-7180	Bracket
3	A-1635-5	Screw
3	A-20360-1	Tie wrap
3	A-2873-5	Clamp
3	A-1635-203	Screw
3	A-1638-25	Washer
3	A-1639-51	Nut
3	B-40639*	Wire Harness
3	B-40439*	Retainer – Cable
6	A-1635-139*	Screws
6	A-1638-17*	Washer
1	D-40000*	Slip ring Assembly
1	C-40179*	Brush Block Assembly
2	A-1635-70*	Screw
2	A-1638-7*	Washer
2	B-40024-2*	Spacer
1	C-40057*	Bracket Assembly
4	B-40030-2*	Spacer
2	A-2513-88*	Bolt
4	A-1638-22*	Washer
4	A-1638-23*	Washer
2	A-1639-1*	Nut
1	D-40690	Installation Drawing

Note 1: Deice boot stand off dimension is 0.230” + 0.250”/ - 0.230”

Note 2: * contained in D-40690 kit

Electrothermal De-Ice & Anti-Ice Applications

Cessna (STC)

Anti-Ice

Model: 310C, D, E, F, G, H, E310H, 310I, 310J-1

Engine: IO-470-D, -U

Propeller: 3AF32C528/82NEA-X

<u>Qty.</u>	<u>P/N</u>	<u>Part Description</u>
3	C-40323-81	Feed Shoe
3	B-40302	Spray Head Assembly
3	A-2779-2*	Hose
6	A-2873-6*	Clamp
1	D-40642*	Slinger Ring Assembly
6	A-1635-206*	Screw
6	A-1638-15*	Washer
6	A-1639-3*	Nut
1	D-40698	Installation Drawing

Note 1: Feed Shoe stand off dimension is 0.330" +/- 0.250"

Note 2: * contained in D-40698 kit

Electrothermal De-Ice & Anti-Ice Applications

Cessna (STC)

De-Ice

Model: 310J, K, L, N, E310J
Engine: IO-470-U, -V, -VO
Propeller: 3AF32C512/82NEA-X

<u>Qty.</u>	<u>P/N</u>	<u>Part Description</u>
3	B-40183-18	Deice Boot
9	A-1635-63	Screw
18	A-1638-54	Washer
18	B-5024	Insulator
9	A-1639-19	Nut
3	B-5725	Bracket
3	A-1635-5	Screw
3	A-2873-13	Clamp
3	A-1635-14	Screw
3	A-1638-25	Washer
3	A-1639-51	Nut
3	B-40638*	Wire Harness
3	A-40528*	Grommet
2	A-20360-4*	Tie Wrap
1	D-40000*	Slip Ring Assembly
1	C-40187*	Brush Block Assembly
2	B-40024-3*	Spacer
8	A-1638-21*	Washer
2	A-1638-7*	Washer
2	A-1635-77*	Screw
1	C-40057*	Bracket Assembly
2	A-2513-36*	Bolt
4	B-40030-3*	Spacer
8	A-1638-23*	Washer
4	A-1638-22*	Washer
2	A-1639-1*	Nut
1	D-40734	Drawing

Note 1: Deice boot stand off dimension is 0.375" +/- 0.125"

Note 2: * contained in D-40734 kit

Electrothermal De-Ice & Anti-Ice Applications

Cessna (OEM)

De-Ice

Model: 310P, Q
Engine: IO-470-VO
Propeller: D2AF34C71/84JF-X

<u>Qty.</u>	<u>P/N</u>	<u>Part Description</u>
1	D-40034	Slip ring Assembly
1	C-40179	Brush Block Assembly (originally used P/N C-40055)
2	A-1635-56	Screw
8	A-1638-18	Washer
2	B-40024-3	Spacer
1	C-40057	Bracket Assembly
4	B-40030-2	Spacer

Note 1: The C-40055 brush block assembly is no longer available but the B-40046 brush and holder assembly still is.

Electrothermal De-Ice & Anti-Ice Applications

Cessna (OEM)

De-Ice

Model: 310P, Q
Engine: IO-470-VO
Propeller: 3AF32C87/82NC-X

<u>Qty.</u>	<u>P/N</u>	<u>Part Description</u>
1	D-40000	Slip ring Assembly
1	C-40179	Brush Block Assembly (originally used P/N C-40055)
2	A-1635-56	Screw
8	A-1638-18	Washer
2	B-40024-3	Spacer
1	C-40057	Bracket Assembly
4	B-40030-2	Spacer

Note 1: The C-40055 brush block assembly is no longer available but the B-40046 brush and holder assembly still is.

Electrothermal De-Ice & Anti-Ice Applications

Cessna (OEM)

De-Ice

Model: 310P, Q
Engine: IO-470-VO
Propeller: 3AF32C504/82NEA-X

<u>Qty.</u>	<u>P/N</u>	<u>Part Description</u>
3	B-40183-19	Deice Boot (can also use B-40183-03 and -01)
9	A-1635-202	Screw
18	A-1638-17	Washer
18	B-5024	Insulator
9	A-1639-19	Nut
3	B-7180	Bracket
3	A-1635-5	Screw
3	A-2873-5	Clamp
3	A-1635-203	Screw
3	A-1638-25	Washer
3	A-1639-51	Nut
3	B-40639	Wire Harness
3	B-40439	Retainer – Cable
6	A-1635-139	Screws
6	A-1638-17	Washer
1	D-40000	Slip ring Assembly
1	C-40179	Brush Block Assembly (originally used P/N C-40055)
2	A-1635-70	Screw
2	A-1638-7	Washer
2	B-40024-3	Spacer
1	C-40057	Bracket Assembly
4	B-40030-2	Spacer
2	A-2513-88	Bolt
4	A-1638-22	Washer
4	A-1638-23	Washer
2	A-1639-1	Nut

Note 1: Deice boot stand off dimension is 0.230” + 0.250”/ - 0.230”

Note 2: The C-40055 brush block assembly is no longer available but the B-40046 brush and holder assembly still is.

Electrothermal De-Ice & Anti-Ice Applications

Cessna (STC)

De-Ice

Model: 310P, Q
Engine: IO-470-VO
Propeller: 3AF32C528/82NEA-X

<u>Qty.</u>	<u>P/N</u>	<u>Part Description</u>
3	B-40183-19	Deice Boot
9	A-1635-202	Screw
18	A-1638-54	Washer
18	B-5024	Insulator
9	A-1639-19	Nut
3	B-7180	Bracket
3	A-1635-5	Screw
3	A-2873-13	Clamp
3	A-1635-203	Screw
3	A-1638-25	Washer
3	A-1639-51	Nut
3	A-20360-1*	Tie Wrap
3	B-40639*	Wire Harness
3	B-40439*	Retainer – Cable
6	A-1635-139*	Screws
6	A-1638-17*	Washer
1	D-40000*	Slip ring Assembly
1	C-40187*	Brush Block Assembly
2	A-1635-70*	Screw
2	A-1638-7*	Washer
8	A-1638-21*	Washer
2	B-40024-3*	Spacer
1	C-40057*	Bracket Assembly
4	B-40030-2*	Spacer
2	A-2513-88*	Bolt
4	A-1638-22*	Washer
4	A-1638-23*	Washer
2	A-1639-1*	Nut
1	D-60255	Installation Drawing

Note 1: Deice boot stand off dimension is 0.230” + 0.250”/ - 0.230”

Note 2: * contained in PL-40701 kit (quantities shown are for one propeller, but kit contains parts for both propellers)

Electrothermal De-Ice & Anti-Ice Applications

Cessna (OEM)

De-Ice

Model: 310R
Engine: IO-520-M, -MB
Propeller: 3AF32C504/82NEA-X

<u>Qty.</u>	<u>P/N</u>	<u>Part Description</u>
3	B-40183-19	Deice Boot (can also use B-40183-03 and -01)
9	A-1635-202	Screw
18	A-1638-17	Washer
18	B-5024	Insulator
9	A-1639-19	Nut
3	B-7180	Bracket
3	A-1635-5	Screw
3	A-2873-5	Clamp
3	A-1635-203	Screw
3	A-1638-25	Washer
3	A-1639-51	Nut
3	B-40639	Wire Harness
3	B-40439	Retainer – Cable
6	A-1635-139	Screws
6	A-1638-17	Washer
1	D-40000	Slip ring Assembly
1	C-40187	Brush Block Assembly (originally used P/N C-40055)
2	A-1635-70	Screw
2	A-1638-7	Washer
2	B-40024-1	Spacer
1	C-40057	Bracket Assembly
4	B-40030-1	Spacer
2	A-2513-88	Bolt
4	A-1638-22	Washer
4	A-1638-23	Washer
2	A-1639-1	Nut

Note 1: Deice boot stand off dimension is 0.230” + 0.250”/ - 0.230”

Note 2: The C-40055 brush block assembly is no longer available but the B-40046 brush and holder assembly still is.

Electrothermal De-Ice & Anti-Ice Applications

Cessna (STC)

De-Ice

Model: 310R
Engine: IO-520-M, -MB
Propeller: 3AF32C528/82NEA-X

<u>Qty.</u>	<u>P/N</u>	<u>Part Description</u>
3	B-40183-19	Deice Boot
9	A-1635-202	Screw
18	A-1638-54	Washer
18	B-5024	Insulator
9	A-1639-19	Nut
3	B-7180	Bracket
3	A-1635-5	Screw
3	A-2873-13	Clamp
3	A-1635-203	Screw
3	A-1638-25	Washer
3	A-1639-51	Nut
3	A-20360-1*	Tie Wrap
3	B-40639*	Wire Harness
3	B-40439*	Retainer – Cable
6	A-1635-139*	Screws
6	A-1638-17*	Washer
1	D-40000	Slip ring Assembly
1	C-40187	Brush Block Assembly
2	A-1635-70	Screw
2	A-1638-7	Washer
8	A-1638-21	Washer
2	B-40024-3	Spacer
1	C-40057	Bracket Assembly
4	B-40030-2	Spacer
2	A-2513-88	Bolt
4	A-1638-22	Washer
4	A-1638-23	Washer
2	A-1639-1	Nut
1	D-60255	Installation Drawing

Note 1: Deice boot stand off dimension is 0.230” + 0.250”/ - 0.230”

Note 2: * contained in PL-40702 kit (quantities shown are for one propeller, but kit contains parts for both propellers)

Electrothermal De-Ice & Anti-Ice Applications

Cessna (OEM)

De-Ice

Model: T310P, Q

Engine: TSIO-520-B, -BB

Propeller: D2AF34C71/84JF-X

<u>Qty.</u>	<u>P/N</u>	<u>Part Description</u>
1	D-40034	Slip ring Assembly
1	C-40179	Brush Block Assembly (originally used P/N C-40010)
2	A-1635-56	Screw
8	A-1638-18	Washer
2	B-40024-2	Spacer
1	C-40029	Bracket Assembly
4	B-40030-1	Spacer

Note 1: The C-40010 brush block assembly is no longer available but the B-40012 brush and holder assembly still is.

Electrothermal De-Ice & Anti-Ice Applications

Cessna (OEM)

De-Ice

Model: T310P, Q

Engine: TSIO-520-B, -BB

Propeller: 3AF32C87/82NC-X

<u>Qty.</u>	<u>P/N</u>	<u>Part Description</u>
1	D-40000	Slip ring Assembly
1	C-40179	Brush Block Assembly (originally used P/N C-40010)
2	A-1635-64	Screw
2	A-1638-7	Washer
2	B-40024-2	Spacer
1	C-40029	Bracket Assembly
4	B-40030-1	Spacer
2	A-2513-36	Bolt
4	A-1638-22	Washer
4	A-1638-23	Washer
2	A-1639-1	Nut

Note 1: The C-40010 brush block assembly is no longer available but the B-40012 brush and holder assembly still is.

Electrothermal De-Ice & Anti-Ice Applications

Cessna (OEM)

De-Ice

Model: T310P, Q, R
Engine: TSIO-520-B, -BB
Propeller: 3AF32C504/82NEA-X

<u>Qty.</u>	<u>P/N</u>	<u>Part Description</u>
3	B-40183-19	Deice Boot (can also use B-40183-03 and -01)
9	A-1635-202	Screw
18	A-1638-17	Washer
18	B-5024	Insulator
9	A-1639-19	Nut
3	B-7180	Bracket
3	A-1635-5	Screw
3	A-2873-5	Clamp
3	A-1635-203	Screw
3	A-1638-25	Washer
3	A-1639-51	Nut
3	B-40639	Wire Harness
3	B-40439	Retainer – Cable
6	A-1635-139	Screws
6	A-1638-17	Washer
1	D-40000	Slip ring Assembly
1	C-40179	Brush Block Assembly (originally used P/N C-40055)
2	A-1635-64	Screw
2	A-1638-7	Washer
2	B-40024-2	Spacer
1	C-40029	Bracket Assembly
4	B-40030-1	Spacer
2	A-2513-36	Bolt
4	A-1638-22	Washer
4	A-1638-23	Washer
2	A-1639-1	Nut

Note 1: Deice boot stand off dimension is 0.230” + 0.250”/ - 0.230”

Note 2: The C-40055 brush block assembly is no longer available but the B-40046 brush and holder assembly still is.

Electrothermal De-Ice & Anti-Ice Applications

Cessna (STC)

De-Ice

Model: T310P, Q, R
Engine: TSIO-520-B, -BB
Propeller: 3AF32C528/82NEA-X

<u>Qty.</u>	<u>P/N</u>	<u>Part Description</u>
3	B-40183-19	Deice Boot
9	A-1635-202	Screw
18	A-1638-54	Washer
18	B-5024	Insulator
9	A-1639-19	Nut
3	B-7180	Bracket
3	A-1635-5	Screw
3	A-2873-13	Clamp
3	A-1635-203	Screw
3	A-1638-25	Washer
3	A-1639-51	Nut
3	A-20360-1*	Tie Wrap
3	B-40639*	Wire Harness
3	B-40439*	Retainer – Cable
6	A-1635-139*	Screws
6	A-1638-17*	Washer
1	D-40000*	Slip ring Assembly
1	C-40187*	Brush Block Assembly
2	A-1635-64*	Screw
2	A-1638-7*	Washer
8	A-1638-21*	Washer
2	B-40024-2*	Spacer
1	C-40029*	Bracket Assembly
4	B-40030-1	Spacer
2	A-2513-36*	Bolt
4	A-1638-22*	Washer
4	A-1638-23*	Washer
2	A-1639-1*	Nut
1	D-60255	Installation Drawing

Note 1: Deice boot stand off dimension is 0.230” + 0.250”/ - 0.230”

Note 2: * contained in PL-40703 kit (quantities shown are for one propeller, but kit contains parts for both propellers)

Electrothermal De-Ice & Anti-Ice Applications

Cessna (OEM)

De-Ice

Model: 320D, 320E, 320F, 340, 340A, 401, 401A, 401B, 402, 402A, 402B, 402C

Engine: TSIO-520-B, -BB, -E, -EB, -K, -KB, -N, -NB, -VB

Propeller: 3AF32C504/82NEA-X, 3AF32C505/82NEA-X

<u>Qty.</u>	<u>P/N</u>	<u>Part Description</u>
3	B-40183-19	Deice Boot
9	A-1635-63	Screw
18	A-1638-54	Washer
18	B-5024	Insulator
9	A-1639-19	Nut
3	B-4878	Bracket
3	A-1635-5	Screw
3	A-2873-13	Clamp
3	A-1635-14	Screw
3	A-1638-25	Washer
3	A-1639-51	Nut
3		Wiring Harness (Safeway P/N 6638)(Goodrich P/N D5855-1)
1	D-40000*	Slip ring Assembly
1	C-40179*	Brush Block Assembly (originally used P/N C-40010)
2	B-40024-2*	Spacer
8	A-1638-21*	Washer
2	A-1635-77*	Screw
2	A-1638-7*	Washer
1	C-40029*	Bracket Assembly
4	B-40030-3*	Spacer
2	A-2513-36*	Bolt
4	A-1638-22*	Washer
4	A-1638-23*	Washer
2	A-1639-1*	Nut
1	C-40219	Installation Drawing

Note 1: Deice boot stand off dimension is 0.230" + 0.250"/ - 0.230"

Note 2: * contained in PL-40220 kit (quantities shown are for one propeller, but kit contains parts for both propellers)

Note 3: The C-40010 brush block assembly is no longer available but the B-40012 brush and holder assembly still is.

Electrothermal De-Ice & Anti-Ice Applications

Cessna (OEM)

De-Ice

Model: 404
Engine: GTSIO-520-M
Propeller: 3FF32C501/90UMB-X

<u>Qty.</u>	<u>P/N</u>	<u>Part Description</u>
3	B-40183-03	Deice Boot
9	A-1635-63	Screw
18	A-1638-54	Washer
18	B-5024	Insulator
9	A-1639-19	Nut
3	B-4641	Bracket
3	A-1635-5	Screw
3	A-2873-5	Clamp
3	A-1635-14	Screw
3	A-1638-25	Washer
3	A-1639-51	Nut
3		Wiring Harness (Goodrich P/N D5855-1)
1	D-40099*	Slip ring Assembly
1	C-40179*	Brush Block Assembly (originally used P/N C-40010)
2	B-40024-4*	Spacer
8	A-1638-21*	Washer
2	A-1635-70*	Screw
2	A-1638-7*	Washer
1	C-40101*	Bracket Assembly
2	A-2513-88*	Bolt
4	A-1638-22*	Washer
2	A-1639-1*	Nut
1	C-40221	Installation Drawing

Note 1: Deice boot stand off dimension is 1.550" +/- 0.250" measured from blade retaining ring

Note 2: The C-40010 brush block assembly is no longer available but the B-40012 brush and holder assembly still is.

Note 3: * contained in C-40221 kit (quantities shown are for one propeller, but kit contains parts for both propellers)

Electrothermal De-Ice & Anti-Ice Applications

Cessna (OEM)

De-Ice

Model: 411, 411A
Engine: GTSIO-520-C
Propeller: 3AF37C510/90LFB-X

<u>Qty.</u>	<u>P/N</u>	<u>Part Description</u>
3	B-40183-19	Deice Boot
9	A-1635-202	Screw
18	A-1638-54	Washer
18	B-5024	Insulator
9	A-1639-19	Nut
3	B-7180	Bracket
3	A-1635-5	Screw
3	A-2873-13	Clamp
3	A-1635-203	Screw
3	A-1638-25	Washer
3	A-1639-51	Nut
3	B-40639*	Wiring Harness
3		Retainer (Goodrich P/N E-5855-3)
6		Screw (Goodrich P/N E-5855-6)
6		Lock Washer (Goodrich P/N E-5855-6B)
6		Washer (Goodrich P/N E-5735-2C)
1	D-40000*	Slip ring Assembly
1	C-40179*	Brush Block Assembly (originally used P/N C-40010)
2	B-40024-1*	Spacer
8	A-1638-21*	Washer
2	A-1635-77*	Screw
2	A-1638-7*	Washer
1	C-40101*	Bracket Assembly
2	A-2513-88*	Bolt
4	A-1638-22*	Washer
2	A-1639-1*	Nut
1	E-40645	Installation Drawing

Note 1: Deice boot stand off dimension is 1.200" +/- 0.250" measured from blade retaining ring

Note 2: The C-40010 brush block assembly is no longer available but the B-40012 brush and holder assembly still is.

Note 3: * contained in PL-40649 kit

Electrothermal De-Ice & Anti-Ice Applications

Cessna (OEM)

De-Ice

Model: 414, 414A
Engine: TSIO-520-J, -JB, -N, -NB
Propeller: 3AF32C505/82NEA-X

<u>Qty.</u>	<u>P/N</u>	<u>Part Description</u>
3	B-40183-19	Deice Boot
9	A-1635-63	Screw
18	A-1638-54	Washer
18	B-5024	Insulator
9	A-1639-19	Nut
3	B-4878	Bracket
3	A-1635-5	Screw
3	A-2873-13	Clamp
3	A-1635-14	Screw
3	A-1638-25	Washer
3	A-1639-51	Nut
3		Wiring Harness (Safeway P/N 6638)(Goodrich P/N D5855-1)
1	D-40000*	Slip ring Assembly
1	C-40179*	Brush Block Assembly (originally used P/N C-40010)
2	B-40024-2*	Spacer
8	A-1638-21*	Washer
2	A-1635-77*	Screw
2	A-1638-7*	Washer
1	C-40029*	Bracket Assembly
4	B-40030-3*	Spacer
2	A-2513-36*	Bolt
4	A-1638-22*	Washer
4	A-1638-23*	Washer
2	A-1639-1*	Nut
1	C-40219	Installation Drawing

Note 1: Deice boot stand off dimension is 0.230" + 0.250"/ - 0.230"

Note 2: * contained in PL-40220 kit (quantities shown are for one propeller, but kit contains parts for both propellers)

Note 3: The C-40010 brush block assembly is no longer available but the B-40012 brush and holder assembly still is.

Electrothermal De-Ice & Anti-Ice Applications

Cessna (STC)

De-Ice

Model: RAM 414-AW
Engine: TSIOL-550-A
Propeller: 3AF36C514/80VMFA-X

<u>Qty.</u>	<u>P/N</u>	<u>Part Description</u>
3	B-40183-03	Deice Boot
9	A-1635-63	Screw
18	A-1638-54	Washer
18	B-5024	Insulator
9	A-1639-19	Nut
3	B-4878	Bracket
3	A-1635-5	Screw
3	A-2873-9	Clamp
3	A-1635-14	Screw
3	A-1638-25	Washer
3	A-1639-51	Nut
3	B-40485*	Wiring Harness
3	A-2873-10*	Clamp
6	A-1635-56*	Screw
6	A-1638-18*	Washer
3	A-40528*	Grommet
3	A-2873-11*	Clamp
1	A-20360-4*	Tie Wrap
1	D-40106*	Slip ring Assembly
1	C-40179*	Brush Block Assembly
2	B-40024-2*	Spacer
8	A-1638-21*	Washer
2	A-1635-77*	Screw
2	A-1638-7*	Washer
1	C-40029*	Bracket Assembly
4	B-40030-3*	Spacer
2	A-2513-36*	Bolt
4	A-1638-22*	Washer
4	A-1638-23*	Washer
2	A-1639-1*	Nut
1	D-40486	Installation Drawing

Note 1: Deice boot stand off dimension is 1.500" +/- 0.125" measured from blade retaining ring

Note 2: * contained in D-40486 kit (quantities shown are for one propeller, but kit contains parts for both propellers)

Electrothermal De-Ice & Anti-Ice Applications

Cessna (OEM)

De-Ice

Model: 421, A, B
Engine: GTSIO-520-D, -H
Propeller: 3AF37C516/90LFB-X

<u>Qty.</u>	<u>P/N</u>	<u>Part Description</u>
3	B-40183-19	Deice Boot
9	A-1635-202	Screw
18	A-1638-54	Washer
18	B-5024	Insulator
9	A-1639-19	Nut
3	B-7180	Bracket
3	A-1635-5	Screw
3	A-2873-13	Clamp
3	A-1635-203	Screw
3	A-1638-25	Washer
3	A-1639-51	Nut
3	B-40639*	Wiring Harness
3		Retainer (Goodrich P/N E-5855-3)
6		Screw (Goodrich P/N E-5855-6)
6		Lock Washer (Goodrich P/N E-5855-6B)
6		Washer (Goodrich P/N E-5735-2C)
1	D-40000*	Slip ring Assembly
1	C-40179*	Brush Block Assembly (originally used P/N C-40010)
2	B-40024-1*	Spacer
8	A-1638-21*	Washer
2	A-1635-77*	Screw
2	A-1638-7*	Washer
1	C-40101*	Bracket Assembly
2	A-2513-88*	Bolt
4	A-1638-22*	Washer
2	A-1639-1*	Nut
1	E-40635	Installation Drawing
1	E-40645	Installation Drawing

Note 1: Deice boot stand off dimension is 1.200" +/- 0.250" measured from blade retaining ring

Note 2: The C-40010 brush block assembly is no longer available but the B-40012 brush and holder assembly still is.

Note 3: * contained in PL-40649 kit

Electrothermal De-Ice & Anti-Ice Applications

Cessna (OEM)

De-Ice

Model: 421C
Engine: GTSIO-520-L, -N
Propeller: 3FF32C501/90UMB-X

<u>Qty.</u>	<u>P/N</u>	<u>Part Description</u>
3	B-40183-03	Deice Boot
9	A-1635-63	Screw
18	A-1638-54	Washer
18	B-5024	Insulator
9	A-1639-19	Nut
3	B-4641	Bracket
3	A-1635-5	Screw
3	A-2873-5	Clamp (used with standard wire harness)
3	A-2873-7	Clamp (used with heavy duty harness)
3	A-1635-14	Screw
3	A-1638-25	Washer
3	A-1639-51	Nut
1	D-40099*	Slip ring Assembly
1	C-40179*	Brush Block Assembly (originally used P/N C-40010)
2	B-40024-4*	Spacer
8	A-1638-21*	Washer
2	A-1635-70*	Screw
2	A-1638-7*	Washer
1	C-40101*	Bracket Assembly
2	A-2513-88*	Bolt
4	A-1638-22*	Washer
2	A-1639-1*	Nut
1	C-40221	Installation Drawing

Note 1: Deice boot stand off dimension is 1.550" +/- 0.250" measured from blade retaining ring

Note 2: The C-40010 brush block assembly is no longer available but the B-40012 brush and holder assembly still is.

Note 3: * contained in C-40221 kit (quantities shown are for one propeller, but kit contains parts for both propellers)

Electrothermal De-Ice & Anti-Ice Applications

Cessna (OEM)

De-Ice

Model: 425
Engine: PT6A-112
Propeller: 3GFR34C701/93KB-X

<u>Qty.</u>	<u>P/N</u>	<u>Part Description</u>
3	B-40183-03	Deice Boot
9	A-1635-63	Screw
18	A-1638-54	Washer
18	B-5024	Insulator
9	A-1639-19	Nut
3	B-4878	Bracket
3	A-1635-5	Screw
3	A-2873-5	Clamp
3	A-1635-14	Screw
3	A-1638-25	Washer
3	A-1639-51	Nut
3	B-5051*	Wire Harness
1	D-40174*	Slip Ring Assembly
1	C-40179*	Brush Block Assembly
2	A-1635-77	Screw
2	A-1638-7	Washer
2	B-40024-9	Spacer
12	A-1638-21	Washer
1	C-40537	Bracket Assembly

Note 1: Deice boot stand off dimension is 1.438" +/- 0.030"

Note 2: The C-40010 brush block assembly is no longer available but the B-40012 brush and holder assembly still is.

Note 3: * contained in PL-40272 kit

Electrothermal De-Ice & Anti-Ice Applications

Cessna (STC)

De-Ice

Model: 425
Engine: PT6A-112, -135
Propeller: 4HFR34C762/94LMA-X

<u>Qty.</u>	<u>P/N</u>	<u>Part Description</u>
4	B-40245-52	Deice Boot
8	A-1635-63	Screw
16	A-1638-54	Washer
8	A-1639-19	Nut
16	B-5024	Insulator
4	B-4971	Blade Shank Bracket
4	A-1635-5	Screw
4	A-2873-9	Clamp
4	A-1635-14	Screw
4	A-1638-25	Washer
4	A-1639-51	Nut
4	B-40330	Wiring Harness
8	A-20360-3	Tie Wrap
4	A-2873-10	Clamp
8	A-1635-56	Screw
8	A-1638-18	Washer
1	D-40364	Slip Ring Assembly
1	C-40257*	Brush Block Assembly
2	B-40024-9*	Spacer
2	A-1638-7*	Washer
2	A-1635-77*	Screw
16	A-1638-21*	Shim
1	C-40536*	Bracket Assembly
1	C-45116*	Timer (or use B-45043)
1	A-60054*	Circuit Breaker Switch
2	A-60059*	Circuit Breaker
1	A-60060*	Ammeter
	D-60050	Installation Drawing
	D-6329	Installation Drawing

Note 1: Deice boot stand off dimension is 0.375" +/- 0.125"

Note 2: * contained in PL-60053 kit (2 kits required per aircraft)

Electrothermal De-Ice & Anti-Ice Applications

Cessna (OEM)

De-Ice

Model: 441
Engine: TPE331-8, -10
Propeller: 3GFR34C601/93JA-X

<u>Qty.</u>	<u>P/N</u>	<u>Part Description</u>
3	B-40183-03	Deice Boot
9	A-1635-63	Screw
18	A-1638-17	Washer
18	B-5024	Insulator
9	A-1639-19	Nut
3	B-4878	Bracket
3	A-1635-5	Screw
3	A-2873-9	Clamp
3	A-1635-14	Screw
3	A-1638-25	Washer
3	A-1639-51	Nut
3	B-5051	Wire Harness
3	A-2873-6	Clamp
6	A-1635-122	Screw
6	A-1638-19	Washer
1	D-40099*	Slip Ring Assembly
1	C-40187*	Brush Block Assembly
2	A-1635-77*	Screw
2	A-1638-7*	Washer
2	B-40024-5*	Spacer
8	A-1638-21*	Washer
1	C-40126*	Bracket Assembly
	C-40228	Installation Drawing

Note 1: Deice boot stand off dimension is 1.438" +/- 0.030"

Note 2: * contained in PL-40229 kit

Electrothermal De-Ice & Anti-Ice Applications

Cessna (STC)

De-Ice

Model: 441
Engine: TPE331-8, -10
Propeller: 4HFR34C661/90LNA-X

<u>Qty.</u>	<u>P/N</u>	<u>Part Description</u>
4	B-40245-56	Deice Boot
4	B-4971	Bracket
4	A-1635-5	Screw
16	A-20360-1	Tie Wrap
4	B-40585	Wire Harness
8	A-20360-2	Tie Wrap
4	A-2873-5	Clamp
4	A-1635-56	Screw
4	A-1638-18	Washer
1	D-40354	Slip Ring Assembly
1	C-40179*	Brush Block Assembly
2	A-1635-100*	Screw
8	A-1638-21*	Washer
2	A-1638-7*	Washer
1	C-40612*	Bracket Assembly
2	A-1638-4*	Washer
2	A-60088	Ammeter
2	C-45118	Timer (can also use P/N B-45103)
	D-60093	Installation Drawing
	D-6821	Installation Drawing

Note 1: Deice boot stand off dimension is 0.375" +/- 0.125"

Note 2: * contained in PL-40586 kit

Electrothermal De-Ice & Anti-Ice Applications

DeHavilland (STC)

De-Ice

Model: DHC-6-300
Engine: PT6A-27
Propeller: 4HFR34C764/90LNA-X

<u>Qty.</u>	<u>P/N</u>	<u>Part Description</u>
4	B-40245-52	Deice Boot
8	A-1635-63	Screw
16	A-1638-54	Washer
8	A-1639-19	Nut
16	B-5024	Insulator
4	B-4971	Blade Shank Bracket
4	A-1635-5	Screw
4	A-2873-9	Clamp
4	A-1635-14	Screw
4	A-1638-25	Washer
4	A-1639-51	Nut
4	B-40330	Wiring Harness
8	A-20360-3	Tie Wrap
4	A-2873-10	Clamp
8	A-1635-56	Screw
8	A-1638-18	Washer
1	D-40505	Slip Ring Assembly
1	C-45114*	Timer (or use B-45018)
1	B-60010*	Timer Mounting Plate
1	A-60043*	Circuit Breaker
	D-60040	Installation Drawing
	D-6302	Installation Drawing

Note 1: Deice boot stand off dimension is 0.375" +/- 0.125"

Note 2: * contained in PL-60056 kit

Electrothermal De-Ice & Anti-Ice Applications

Fairchild (OEM)

De-Ice

Model: SA227-AC, -AT, -BC, -CC, -DC

Engine: TPE331-11U, -12UA, -12UAR, - 12UHR

Propeller: 4HFR34C652/L106LA-X

<u>Qty.</u>	<u>P/N</u>	<u>Part Description</u>
4	B-40183-07	Deice Boot
8	A-1635-63	Screw
16	A-1638-54	Washer
8	A-1639-19	Nut
16	B-5024	Insulator
4	B-4878	Blade Shank Bracket
4	A-1635-5	Screw
4	A-2873-9	Clamp
4	A-1635-14	Screw
4	A-1638-25	Washer
4	A-1639-51	Nut
4	B-40387	Wiring Harness
8	A-20360-3	Tie Wrap
4	A-2873-10	Clamp
8	A-1635-56	Screw
8	A-1638-18	Washer
1	D-40354	Slip Ring Assembly
1	C-40331	Brush Block Assembly
2	A-1635-77	Screw
2	A-1638-7	Washer
2	A-40024-6	Spacer
8	A-1638-21	Washer
1	C-40306	Bracket Assembly
	D-40313	Installation Drawing

Note 1: Deice boot stand off dimension is 0.625" +/- 0.125"

Electrothermal De-Ice & Anti-Ice Applications

Jetstream (STC)

De-Ice

Model: J31
Engine: TPE331-10UF, -10UG, -10UGR, - 10UR
Propeller: 4HFR34C652/L106LA-X

<u>Qty.</u>	<u>P/N</u>	<u>Part Description</u>
4	B-40183-07	Deice Boot
8	A-1635-63	Screw
16	A-1638-54	Washer
16	B-5024	Insulator
8	A-1639-19	Nut
4	B-4878	Blade Shank Bracket
4	A-1635-5	Screw
4	A-2873-9	Clamp
4	A-1635-14	Screw
4	A-1638-25	Washer
4	A-1639-51	Nut
4	B-40387	Wiring Harness
8	A-20360-3	Tie Wrap
4	A-2873-10	Clamp
8	A-1635-56	Screw
8	A-1638-18	Washer
1	D-40354	Slip Ring Assembly
1	C-40331*	Brush Block Assembly
2	A-1635-77	Screw
2	A-1638-7	Washer
2	A-40024-8*	Spacer
16	A-1638-21*	Washer
1	C-40597*	Bracket Assembly
	D-60025	Installation Drawing
	D-6318	Installation Drawing

Note 1: Deice boot stand off dimension is 0.625" +/- 0.125"

Note 2: * Contained in PL-60049 kit

Electrothermal De-Ice & Anti-Ice Applications

Jetstream (OEM)

De-Ice

Model: J32
Engine: TPE331-12UAR, UHR
Propeller: 4HFR34C653/L106FA-X

<u>Qty.</u>	<u>P/N</u>	<u>Part Description</u>
4	B-40183-55	Deice Boot
8	A-1635-63	Screw
16	A-1638-54	Washer
16	B-5024	Insulator
8	A-1639-19	Nut
4	B-4878	Blade Shank Bracket
4	A-1635-5	Screw
4	A-2873-9	Clamp
4	A-1635-14	Screw
4	A-1638-25	Washer
4	A-1639-51	Nut
4	B-40387*	Wiring Harness
8	A-20360-3*	Tie Wrap
4	A-2873-10*	Clamp
8	A-1635-56*	Screw
8	A-1638-18*	Washer
1	D-40354*	Slip Ring Assembly
1	C-40543*	Brush Block Assembly
2	A-1635-77*	Screw
2	A-1638-7*	Washer
2	A-40024-9*	Spacer
16	A-1638-21*	Washer
1	C-40545*	Bracket Assembly
1	D-45059*	Timer
	D-40532	Installation Drawing
	D-7353	Installation Drawing

Note 1: Deice boot stand off dimension is 0.625" +/- 0.125"

Note 2: * Contained in PL-40533 kit

Electrothermal De-Ice & Anti-Ice Applications

Jetstream (OEM)

De-Ice

Model: J41

Engine: TPE331-14GR, -14HR

Propeller: B5JFR36C1101/114GCA-X, C5JFR36C1102/L114GCA-X,
B5JFR36C1103/114HCA-X, C5JFR36C1104/L114HCA-X

<u>Qty.</u>	<u>P/N</u>	<u>Part Description</u>
5	B-40183-16*	Deice Boot
5	B-40183-17**	Deice Boot
15	A-1635-205	Screw
30	B-40627	Insulator
15	A-1639-18	Nut
15	A-1639-53	Nut
5	B-4971*	Blade Shank Bracket
5	B-4878**	Blade Shank Bracket
5	A-1635-5	Screw
5	A-2873-9	Clamp
5	A-1635-14	Screw
5	A-1638-25	Washer
5	A-1639-51	Nut
5	C-40648+	Wiring Harness
5	A-2873-15+	Clamp
10	A-1635-56+	Screw
10	A-1638-18+	Washer
1	D-40553+	Slip Ring Assembly
1	C-40631+	Brush Block Assembly
2	A-1635-77+	Screw
2	A-1638-7+	Washer
2	A-40024-8+	Spacer
8	A-1638-21+	Washer
1	C-40599+	Bracket Assembly
1	D-45081	Timer
	D-40550	Installation Drawing

Note 1: Deice boot stand off dimension is 1.150" +/- 0.125"

Note 2: * C1101 and C1103, ** C1102 and C1104

Note 3: + contained in PL-40573 kit

Electrothermal De-Ice & Anti-Ice Applications

Mooney (STC)

De-Ice

Model: M20K
Engine: TSIO-360-GB1, -GB2, -GB3, -GB4, -LB1, -MB1, -MB2
Propeller: D3A36C430/74SA-X

<u>Qty.</u>	<u>P/N</u>	<u>Part Description</u>
3	B-40245-57	Deice Boot (28V single element)
3	B-40245-58	Deice Boot (14V dual element)
3	B-40251	Restrainer Strap
3	A-40671*	Grommet
3	A-2873-14*	Clamp
6	A-1635-40*	Screw
6	A-1638-26*	Washer
6	A-1639-38*	Nut
3	A-40672*	Terminal Strip
6	A-1635-139*	Screw
6	A-1638-19*	Washer
6	A-1639-19*	Nut
3	B-40677	Wire Harness (28V single element)
3	B-40178	Wire Harness (14V dual element)
2	A-20360-4*	Tie Wrap
1	A-60215*	Circuit Breaker Switch
	D-60198	Installation Drawing

Note 1: Deice boot stand off dimension is 0.375" +/- 0.125"

Note 2: * contained in PL-60240 kit

Electrothermal De-Ice & Anti-Ice Applications

Mooney (OEM)

De-Ice

Model: M20M
Engine: TIO-540-AF1A
Propeller: B3D32C417/82NRD-X

<u>Qty.</u>	<u>P/N</u>	<u>Part Description</u>
3	B-40245-53*	Deice Boot
3	B-40251*	Restrainer Strap
3	A-2873-14*	Clamp
6	A-1635-40*	Screw
12	A-1638-18*	Washer
6	A-1639-38*	Nut
3	A-40520*	Grommet
3	A-40519*	Terminal Strip
6	A-1635-139*	Screw
6	A-1638-19*	Washer
6	A-1639-19*	Nut
1	A-20360-4*	Tie Wrap
1	D-40495*	Slip Ring and Starter Ring Gear Assembly (contains qty 3, P/N B-40515 wire harness)
1	C-40521*	Brush Block Assembly
2	A-1635-100*	Screw
2	B-40024-7*	Spacer
2	A-1638-7*	Washer
8	A-1638-21*	Washer
1	C-40494*	Bracket Assembly
1	A-2513-93*	Bolt
1	A-2513-85*	Bolt
2	A-40137*	Spacer
2	A-1638-4*	Washer
1	C-45114	Timer
	D-40496	Installation Drawing

Note 1: Deice boot stand off dimension is 0.375" +/- 0.125"

Note 2: * contained in D-40496 kit

Electrothermal De-Ice & Anti-Ice Applications

Mooney (STC)

De-Ice

Model: Rocket M20L, M, R
Engine: TSIOL-550-A
Propeller: 3AF32C525/80VMFA-X

<u>Qty.</u>	<u>P/N</u>	<u>Part Description</u>
3	B-40183-19	Deice Boot
9	A-1635-63	Screw (can also use A-1635-202)
18	A-1638-54	Washer
18	B-5024	Insulator
9	A-1639-19	Nut
3	B-4878	Bracket (can also use B-7180)
3	A-1635-5	Screw
3	A-2873-13	Clamp
3	A-1635-14	Screw (can also use A-1635-203)
3	A-1638-25	Washer
3	A-1639-51	Nut
3		Wiring Harness (Safeway P/N 6638)(Goodrich P/N D5855-1)
1	D-40000	Slip ring Assembly
1	C-40179	Brush Block Assembly
2	B-40024-2	Spacer
8	A-1638-21	Washer
2	A-1635-77	Screw
2	A-1638-7	Washer
1	C-40029	Bracket Assembly
4	B-40030-3	Spacer
2	A-2513-36	Bolt
4	A-1638-22	Washer
4	A-1638-23	Washer
2	A-1639-1	Nut
	C-40219	Installation Drawing

Note 1: Deice boot stand off dimension is 0.230" + 0.250"/ - 0.230"

Electrothermal De-Ice & Anti-Ice Applications

Mooney (OEM)

De-Ice

Model: M20R
Engine: IO-550-G
Propeller: 3A32C418/82NRC-X

<u>Qty.</u>	<u>P/N</u>	<u>Part Description</u>
3		Deice Boot (Goodrich P/N 4E2200-8)
3	B-40251*	Restrainer Strap
6	A-1639-19*	Nut
6	A-40626*	Jumper Wire Assembly
1	D-40238*	Slip Ring Assembly
1	C-40257*	Brush Block Assembly
2	A-1635-77*	Screw
2	A-1638-7*	Washer
2	B-40024-2*	Spacer
8	A-1638-21*	Washer
1	C-40298*	Bracket Assembly
2	A-2513-36*	Bolt
4	B-40030-3*	Spacer
8	A-1638-23*	Washer
4	A-1638-22*	Washer
2	A-1639-1*	Nut
1	C-45114	Timer (can also use B-45018)
	E-40623	Drawing

Note 1: Goodrich Kit P/N 67-860-1 is required for this installation

Note 2: * contained in PL-40624 kit

Electrothermal De-Ice & Anti-Ice Applications

Piper (STC)

De-Ice

Model: PA-31, PA-31-325, PA-31-350

Engine: TIO-540-A1A, -A1B, -A2A, -A2B, -A2C, -F2BD, J2B, -J2BD
LTIO-540-F2BD, J2B, -J2BD

Propeller: B3DF36C526/80HJA-X, B3DF36C527/L80HJA-X

<u>Qty.</u>	<u>P/N</u>	<u>Part Description</u>
3	B-40245-56	Deice Boot
3	B-4878	Bracket (use with C526)
3	B-4971	Bracket (use with C527)
3	A-1635-5	Screw
3	B-40589	Wire Harness
21	A-20360-1	Tie Wrap
1	A-20360-4	Tie Wrap
1	B-60122	Timer Plate Assembly (contains C-45114 timer)
	D-60105	Installation Drawing

Note 1: Deice boot stand off dimension is 1.325" +/- 0.125" measured from blade retaining ring

Electrothermal De-Ice & Anti-Ice Applications

Piper (STC)

De-Ice

Model: PA-31T, PA-31T1
Engine: PT6A-28, -11
Propeller: 4HFR34C766/94LNA-X

<u>Qty.</u>	<u>P/N</u>	<u>Part Description</u>
4	B-40245-52	Deice Boot
8	A-1635-63	Screw
16	A-1638-54	Washer
16	B-5024	Insulator
8	A-1639-19	Nut
4	B-4971	Bracket
4	A-1635-5	Screw
4	A-2873-9	Clamp
4	A-1635-14	Screw
4	A-1638-25	Washer
4	A-1639-51	Nut
4	B-40330	Wire Harness
8	A-20360-3	Tie Wrap
4	A-2873-10	Clamp
8	A-1635-56	Screw
8	A-1638-18	Washer
1	D-40354	Slip ring Assembly
1	C-40179*	Brush Block Assembly
2	A-1635-77*	Screw
2	A-1638-7*	Washer
2	B-40024-9*	Spacer
8	A-1638-21*	Washer
1	C-40537*	Bracket Assembly
1	D-60075	Wiring Harness
1	C-45127-3	Timer and Mounting Plate Assembly (contains C-45118 timer)
1	A-60060	Ammeter
1	A-60054	Circuit Breaker Switch
1	B-60072	Ammeter Mounting Bracket
1	A-60079	Plug
1	A-60083	Post Light Assembly
1	A-60084	Ground Wire Assembly
1	A-60092	Circuit Breaker (Wired Type)
Or	A-60100	Circuit Breaker (Plug-In Type)
	D-60071	Installation Drawing
	D-6762	Installation Drawing

Note 1: Deice boot stand off dimension is 0.375" +/- 0.125"

Note 2: * contained in PL-40582 kit

Electrothermal De-Ice & Anti-Ice Applications

Piper (STC)

De-Ice

Model: PA-42, PA-42-720
Engine: PT6A-41, -61
Propeller: 4HFR34C774/94LPA-X

<u>Qty.</u>	<u>P/N</u>	<u>Part Description</u>
4	B-40245-20	Deice Boot
12	A-1635-63	Screw
24	A-1638-54	Washer
24	B-5024	Insulator
12	A-1639-19	Nut
4	B-4971	Bracket
4	A-1635-5	Screw
4	A-2873-9	Clamp
4	A-1635-14	Screw
4	A-1638-25	Washer
4	A-1639-51	Nut
4	B-40668	Wire Harness
8	A-20360-3	Tie Wrap
4	A-2873-10	Clamp
8	A-1635-56	Screw
8	A-1638-18	Washer
1	D-40667	Slip ring Assembly
1	C-40179*	Brush Block Assembly
2	A-1635-77*	Screw
2	A-1638-7*	Washer
2	B-40024-9*	Spacer
8	A-1638-21*	Washer
1	C-40537*	Bracket Assembly
	D-60205	Installation Drawing
	D-7413	Installation Drawing

Note 1: Deice boot stand off dimension is 0.375" +/- 0.125"

Note 2: * contained in PL-40582 kit

Electrothermal De-ice Brush Block Assemblies

Brush Block Assembly Breakdown

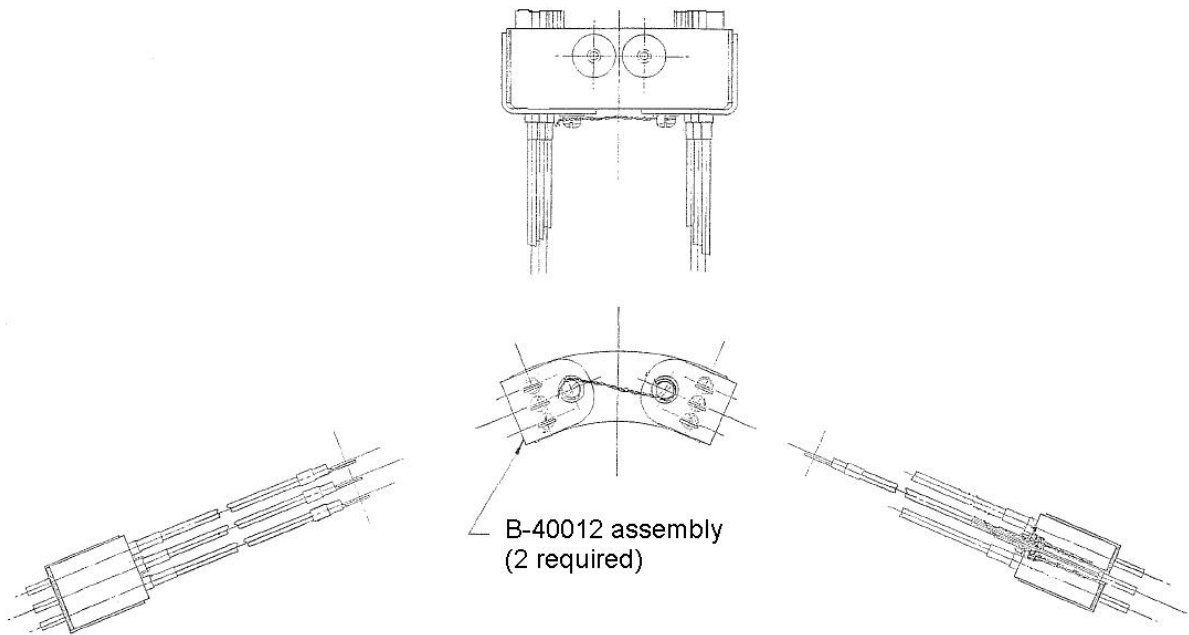
Brush Block

<u>Assembly</u>	<u>Qty.</u>	<u>Brush and Holder Assembly</u>
C-40010*	2	B-40012
C-40055*	2	B-40046
C-40179	2	B-40189
C-40187	2	B-40193
C-40257	1	C-40256-1
	1	C-40256-2
C-40331	2	B-40332
C-40363	1	C-40371-1
	1	C-40371-2
C-40463	1	B-40464-1
	1	B-40464-2
C-40521	1	C-40522-1
	1	C-40522-2
C-40543	2	B-40416
	1	B-40563
C-40593	1	C-40256-1
	1	C-40256-2
C-40631	6	B-40571
C-40660	1	C-40522-1
	1	C-40522-2
C-40685	1	B-40464-1
	1	B-40464-2

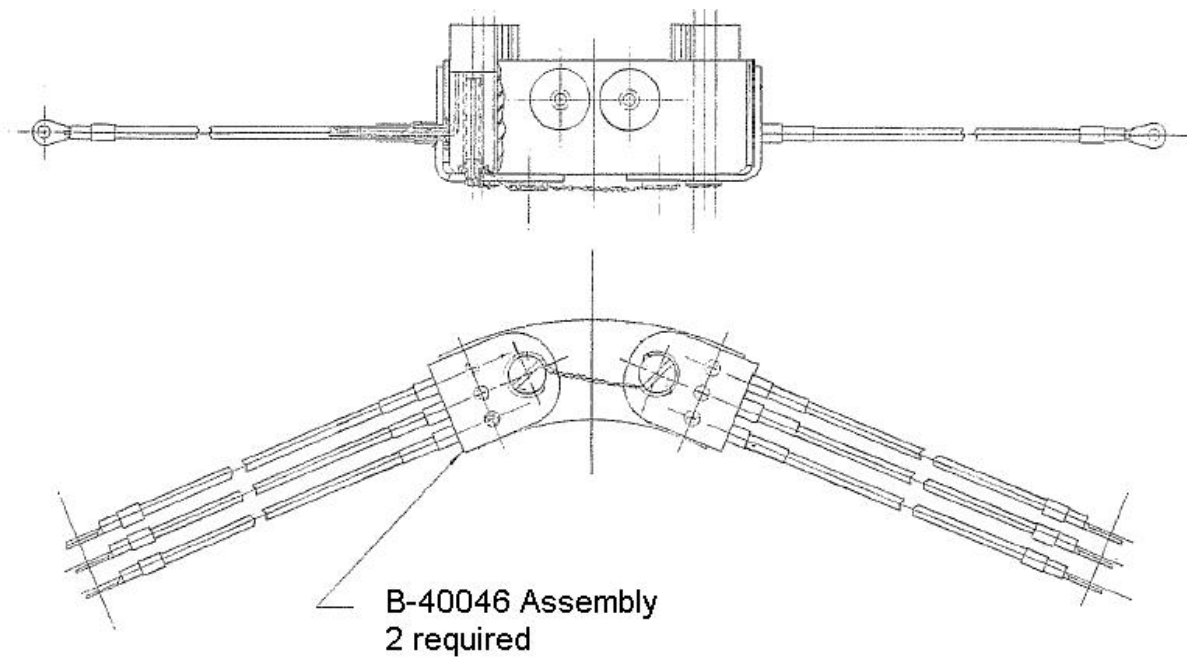
Note 1: * The Brush Block Assembly is no longer available but the Brush and Holder assembly is still available.

Electrothermal De-ice Brush Block Assemblies

C-40010 (obsolete)

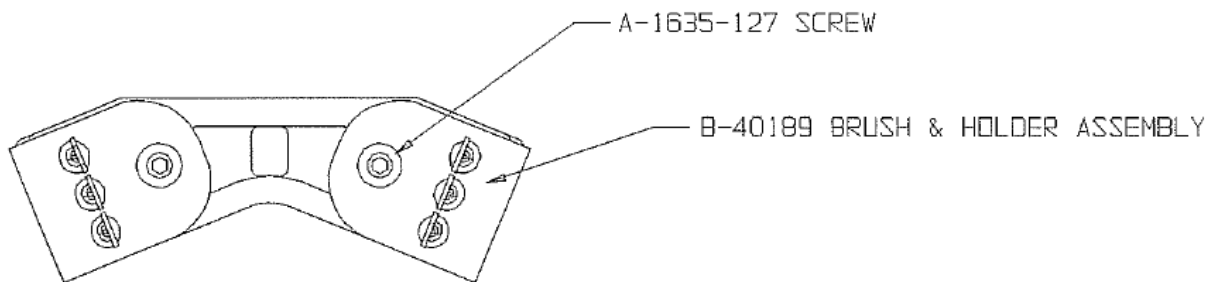
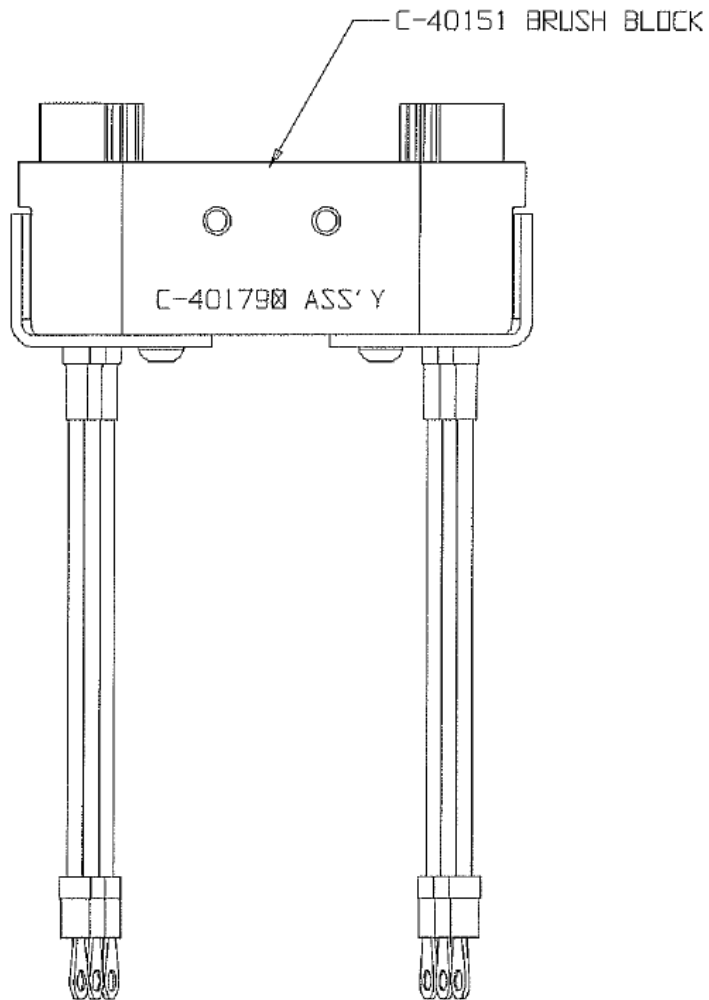


C-40055 (obsolete)



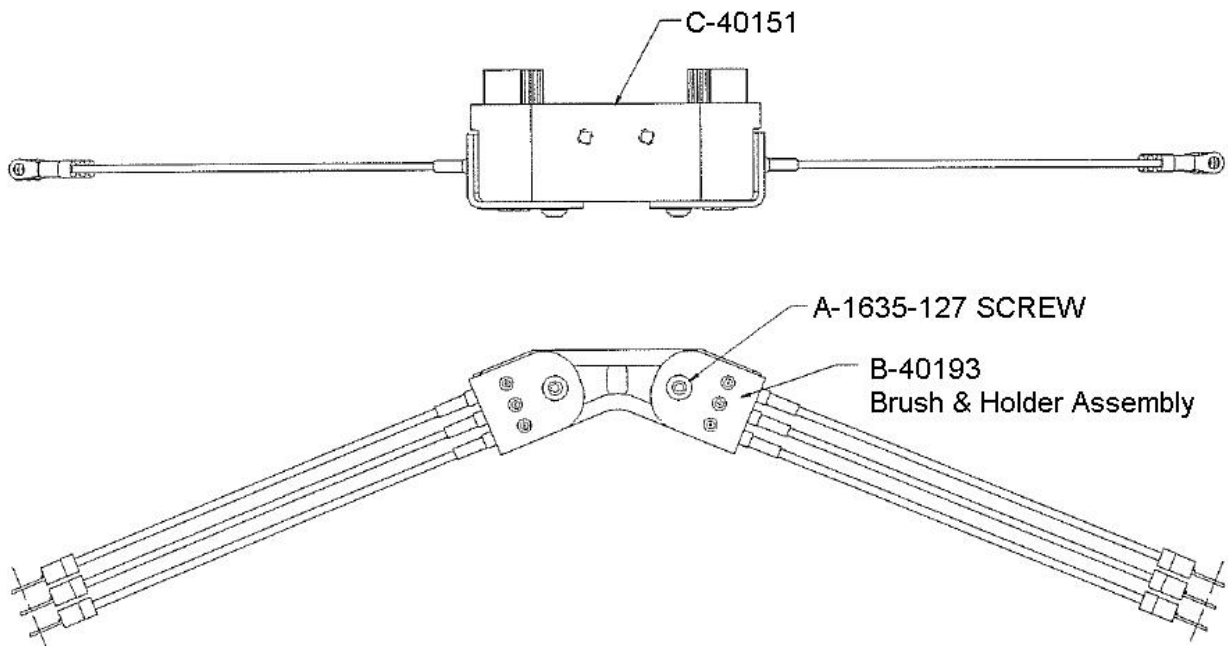
Electrothermal De-ice Brush Block Assemblies

C-40179



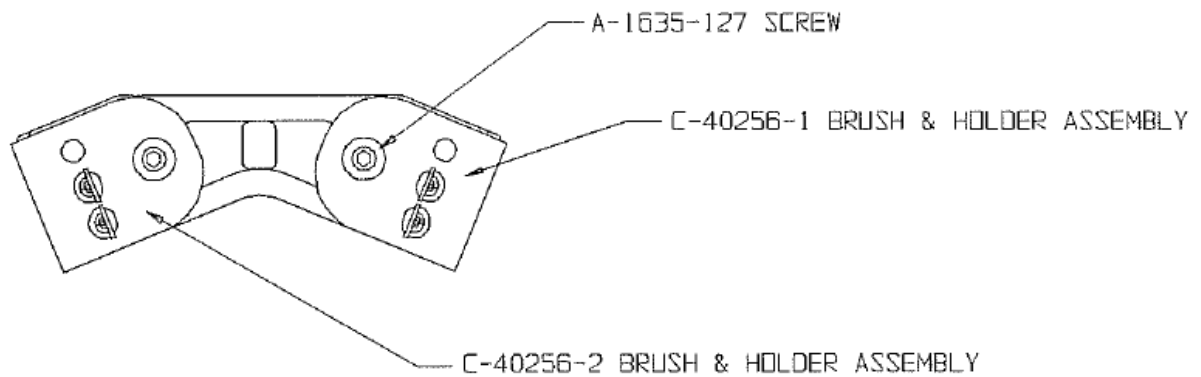
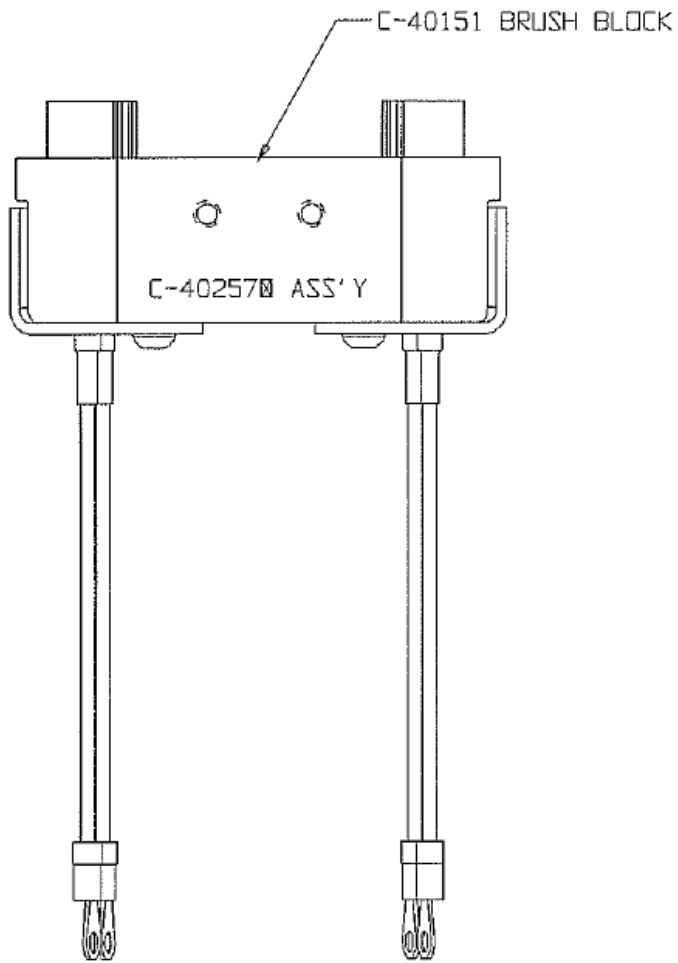
Electrothermal De-ice Brush Block Assemblies

C-40187



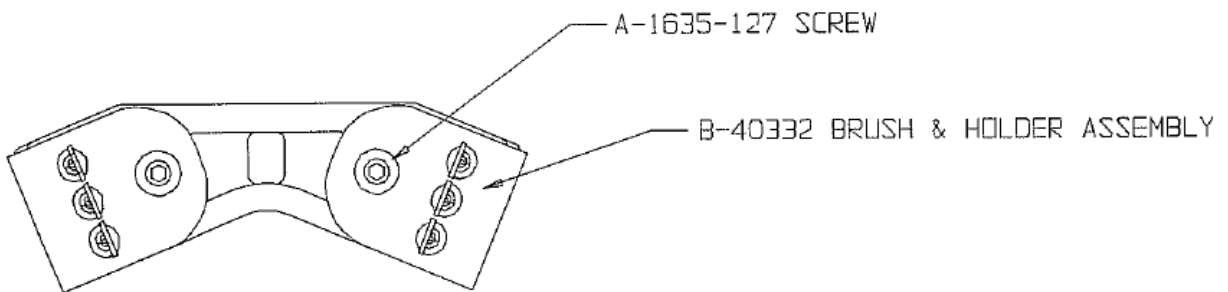
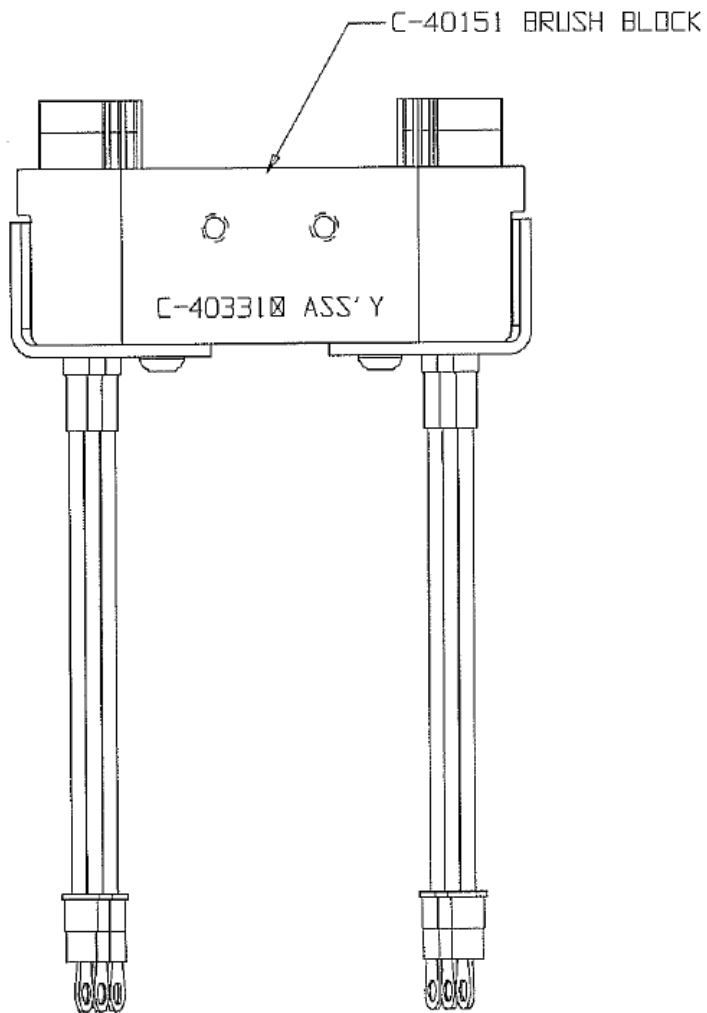
Electrothermal De-ice Brush Block Assemblies

C-40257



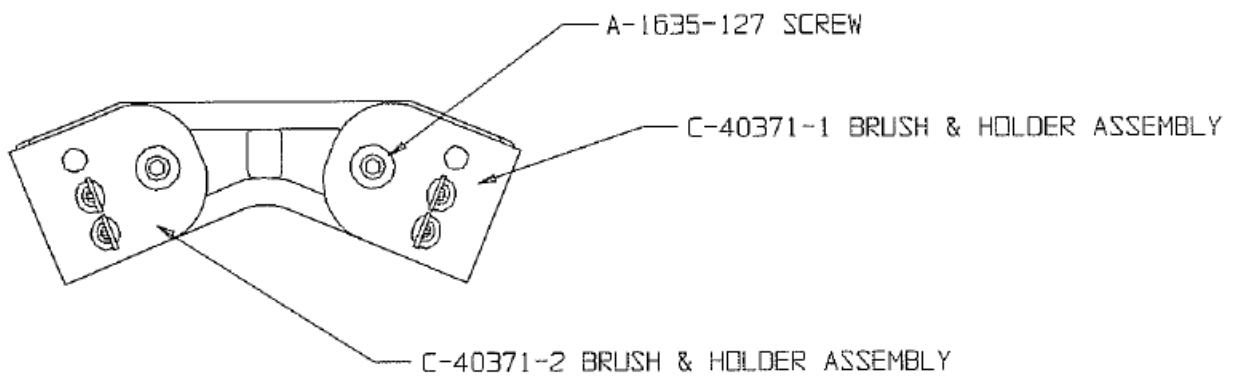
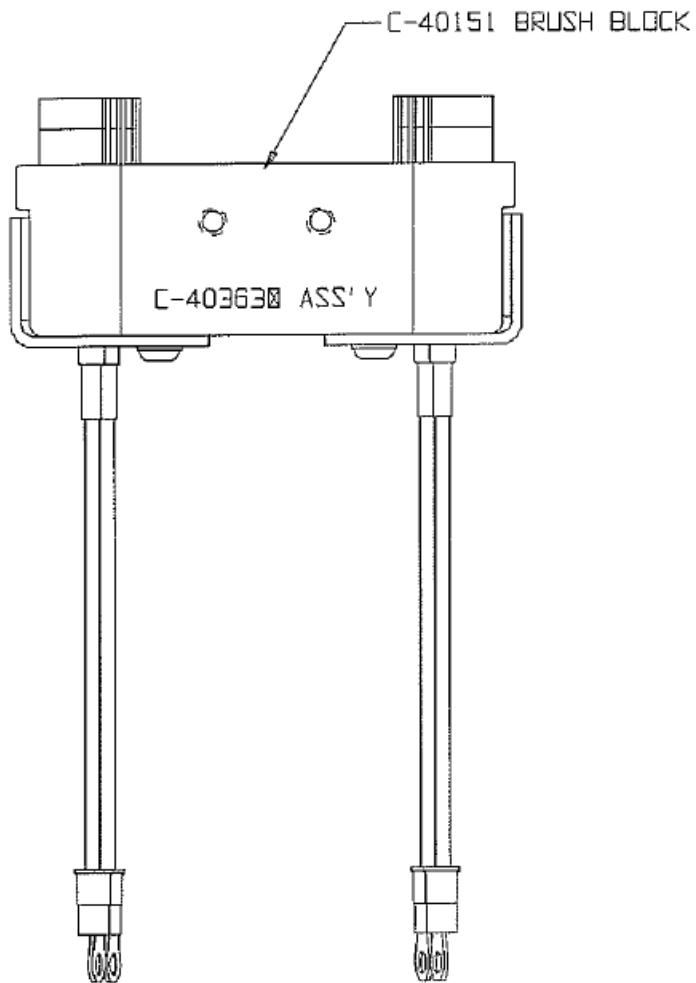
Electrothermal De-ice Brush Block Assemblies

C-40331



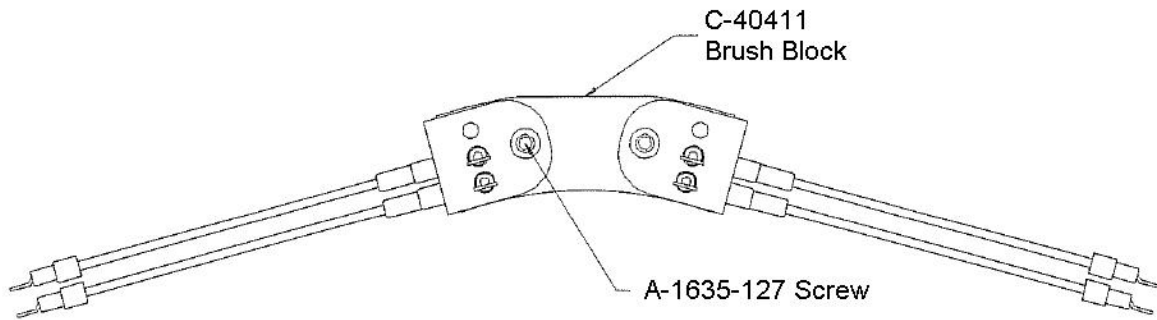
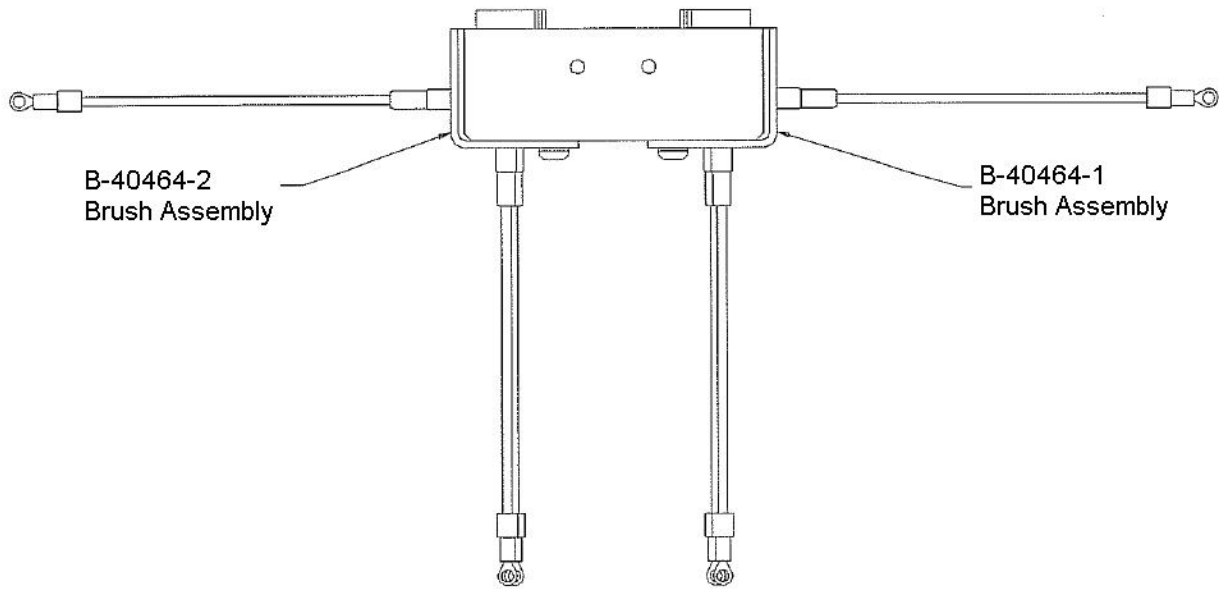
Electrothermal De-ice Brush Block Assemblies

C-40363



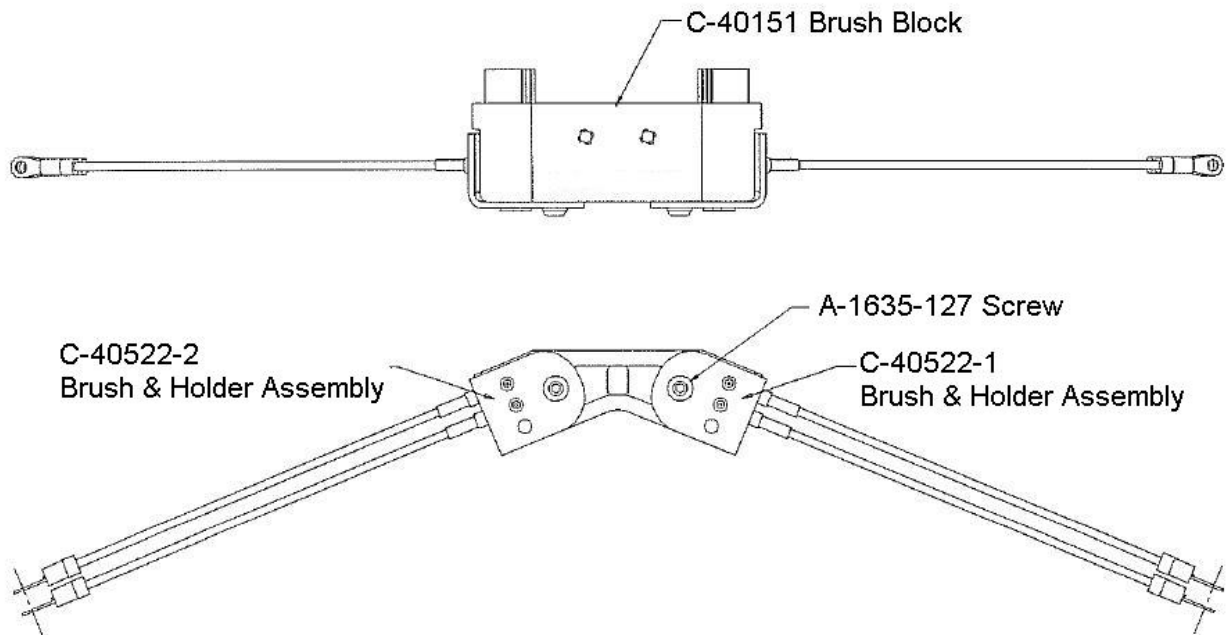
Electrothermal De-ice Brush Block Assemblies

C-40463



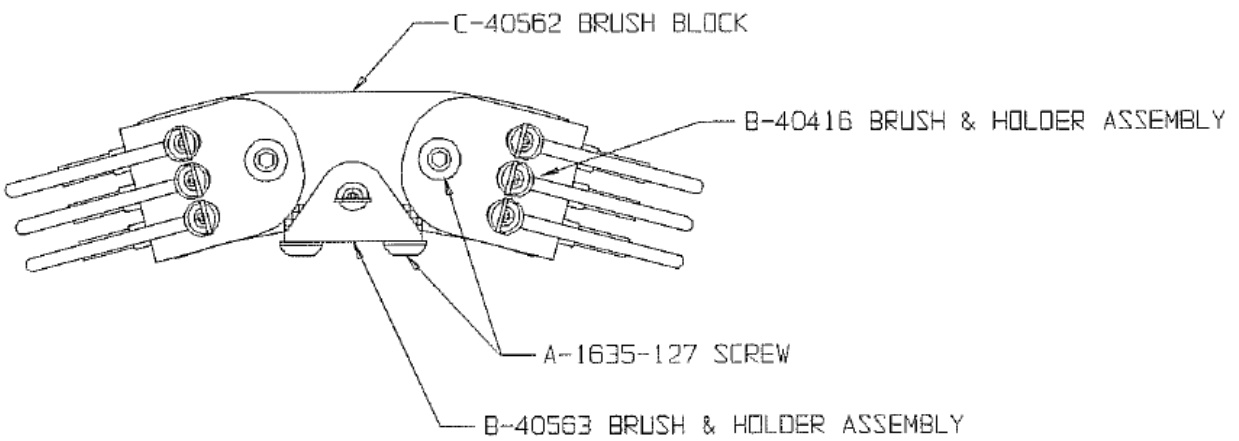
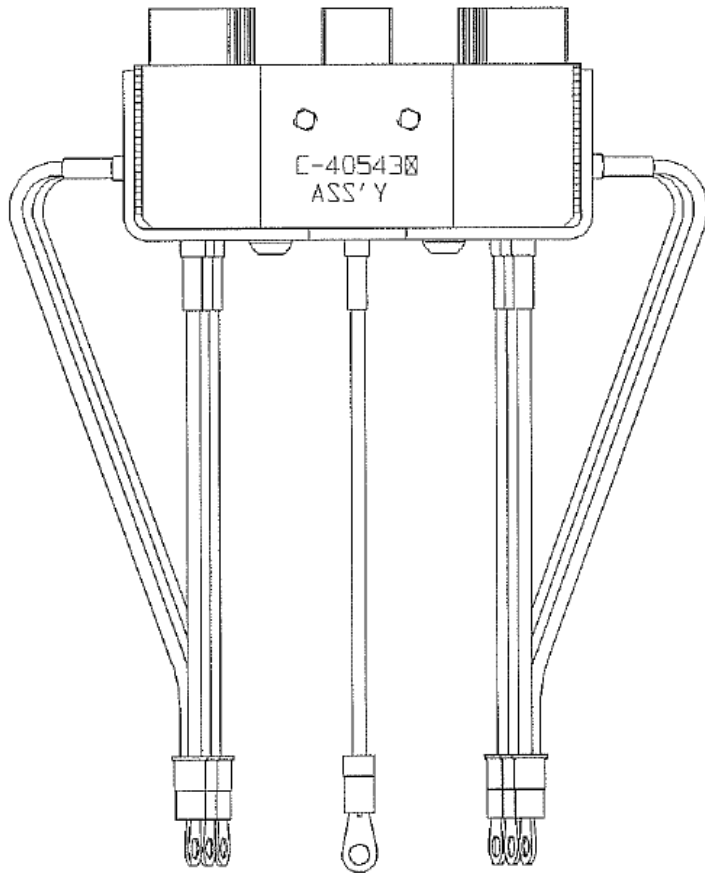
Electrothermal De-ice Brush Block Assemblies

C-40521



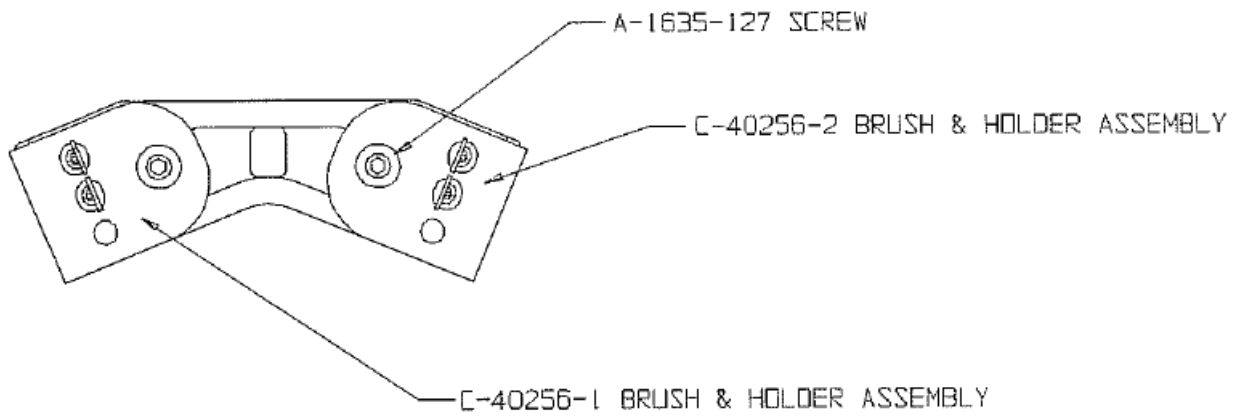
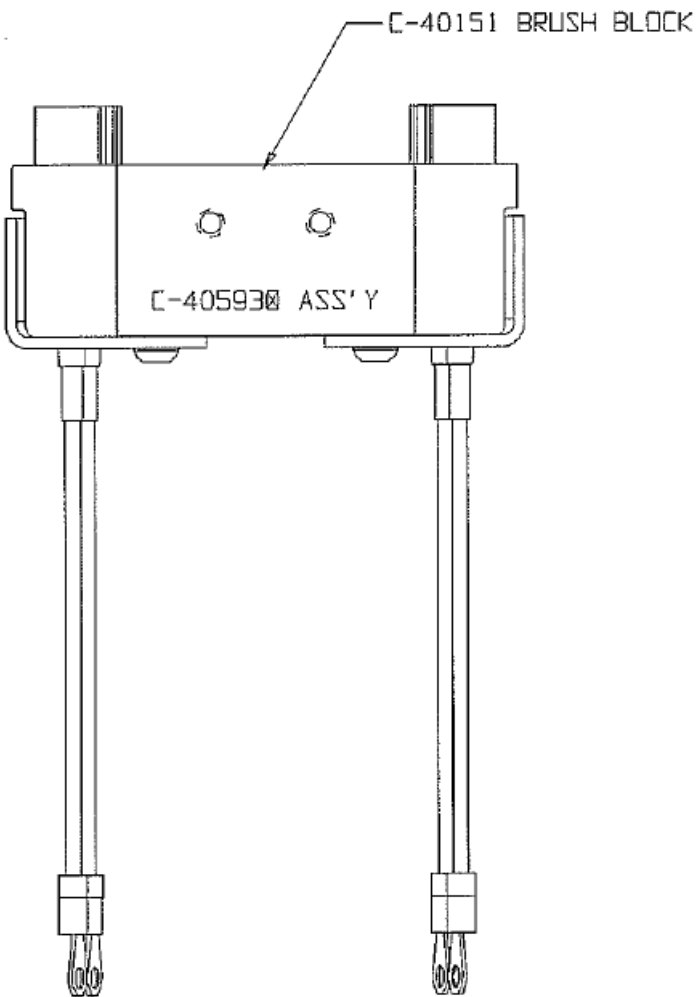
Electrothermal De-ice Brush Block Assemblies

C-40543



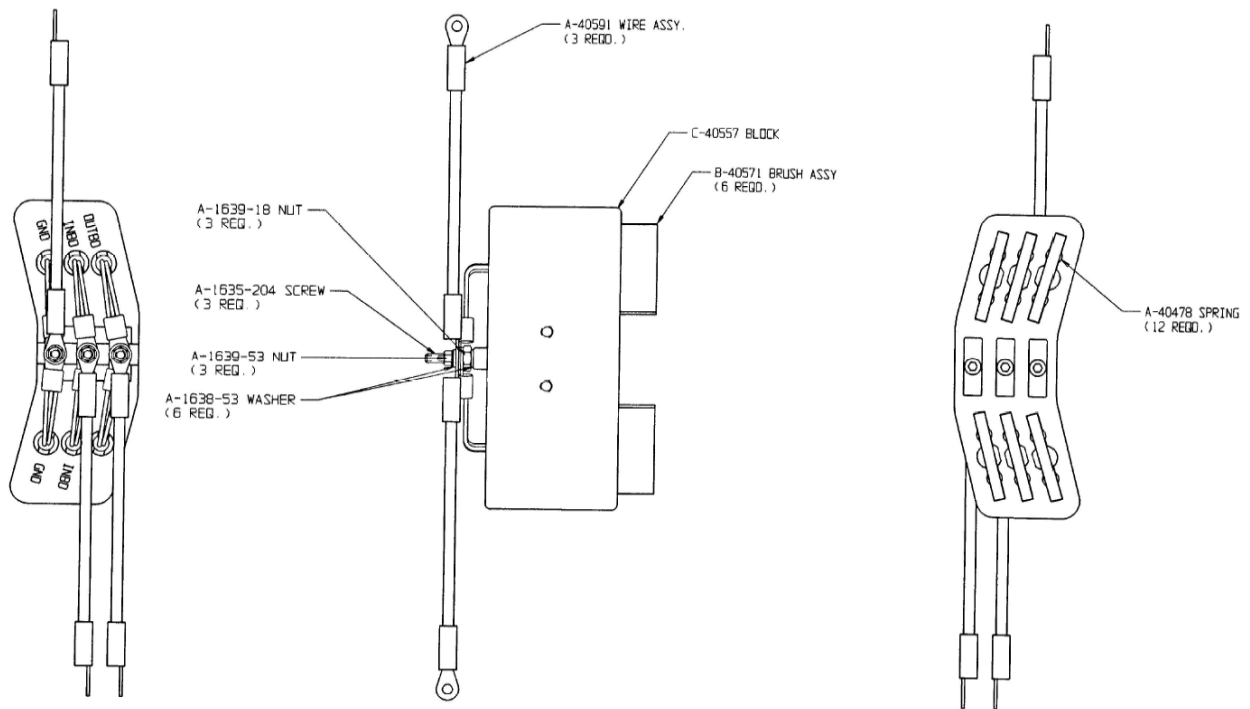
Electrothermal De-ice Brush Block Assemblies

C-40593



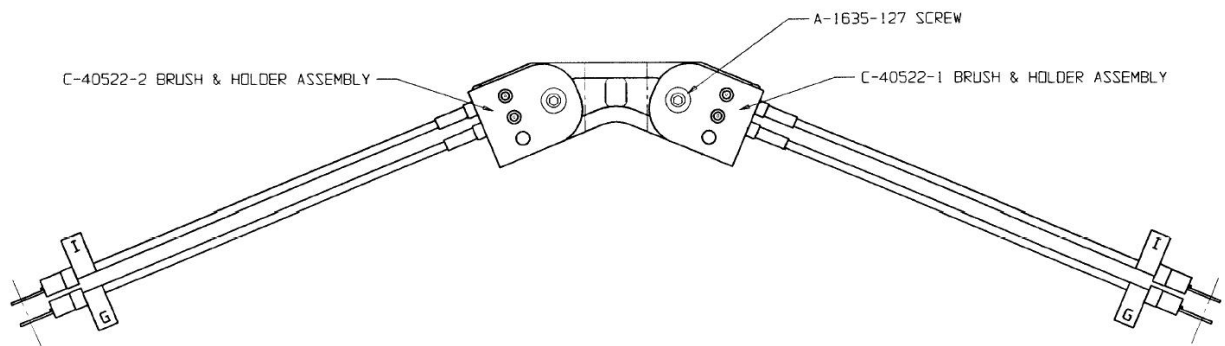
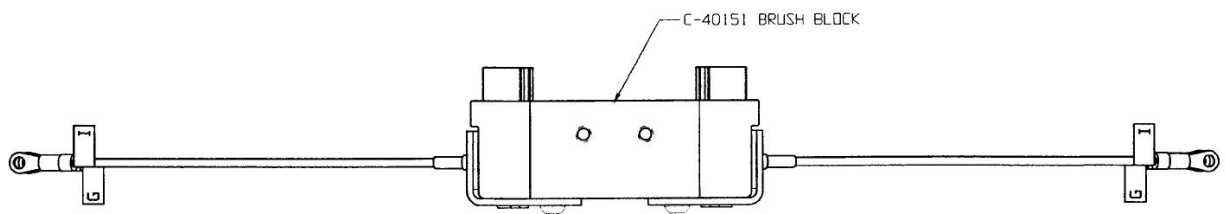
Electrothermal De-ice Brush Block Assemblies

C-40631



Electrothermal De-ice Brush Block Assemblies

C-40660



Electrothermal De-ice Brush Block Assemblies

C-40685

