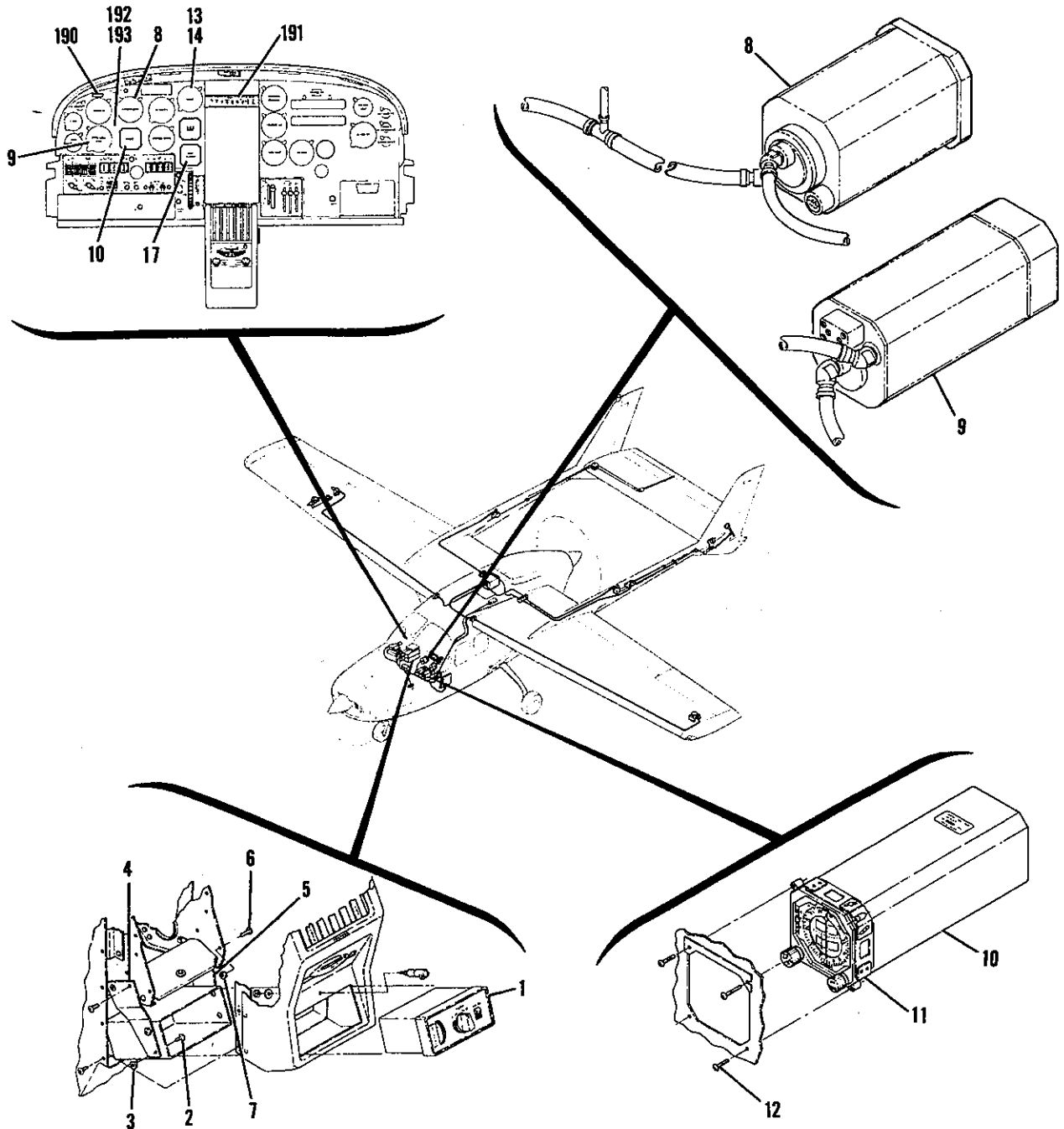


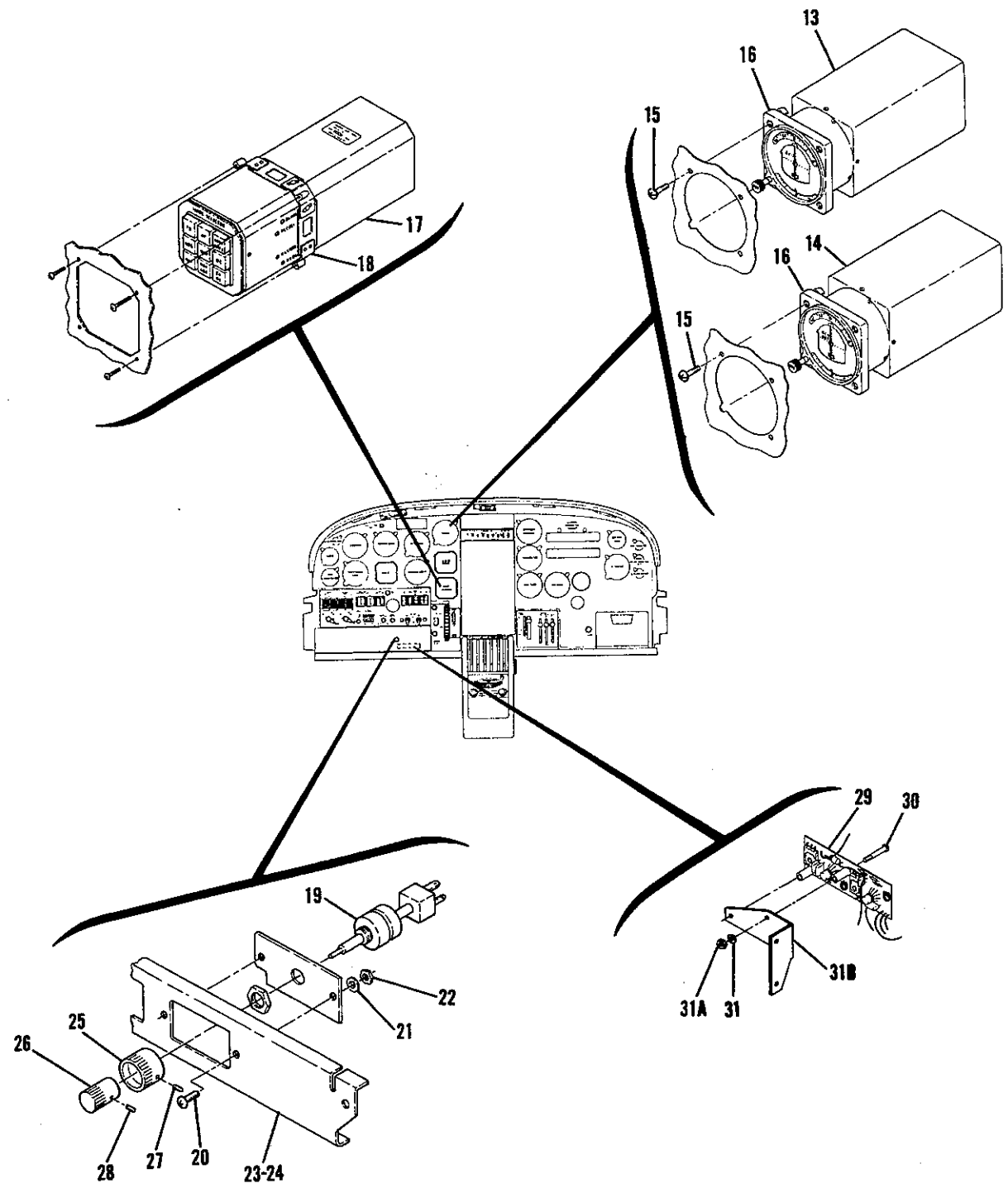
CESSNA 400A INTEGRATED FLIGHT CONTROL SYSTEM



**337 SERIAL 33701672 & ON**  
**T337 SERIAL P3370226 & ON**

Figure 1-49A. Cessna 400A Integrated Flight Control System (AF-530AFD) 337 & T337 Models Only (Sheet 1 of 7)

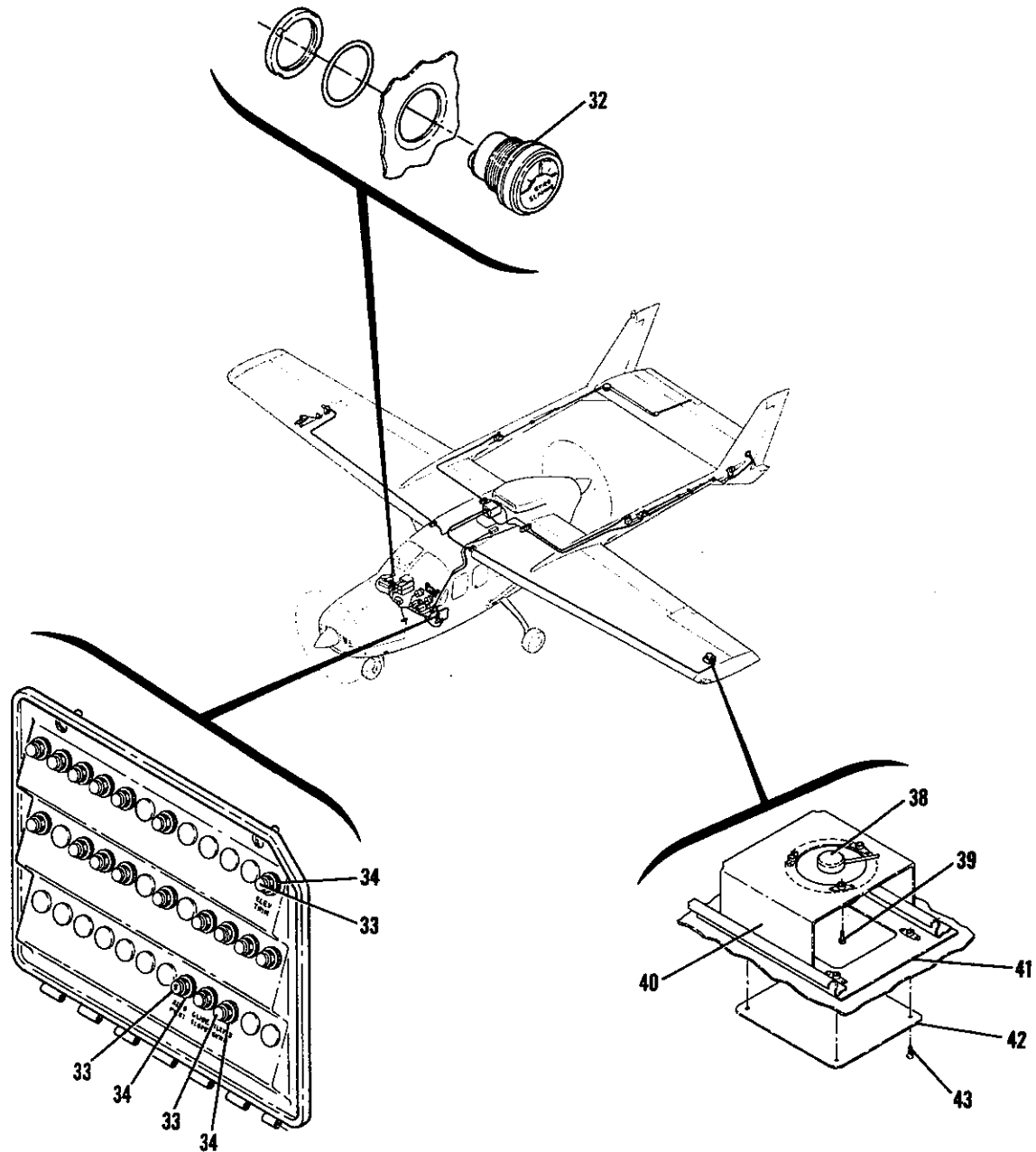
CESSNA 400A INTEGRATED FLIGHT CONTROL SYSTEM



**337 SERIAL 33701672 & ON**  
**T337 SERIAL P3370226 & ON**

Figure 1-49A. Cessna 400A Integrated Flight Control System (AF-530AFD) 337 & T337 Models Only (Sheet 2 of 7)

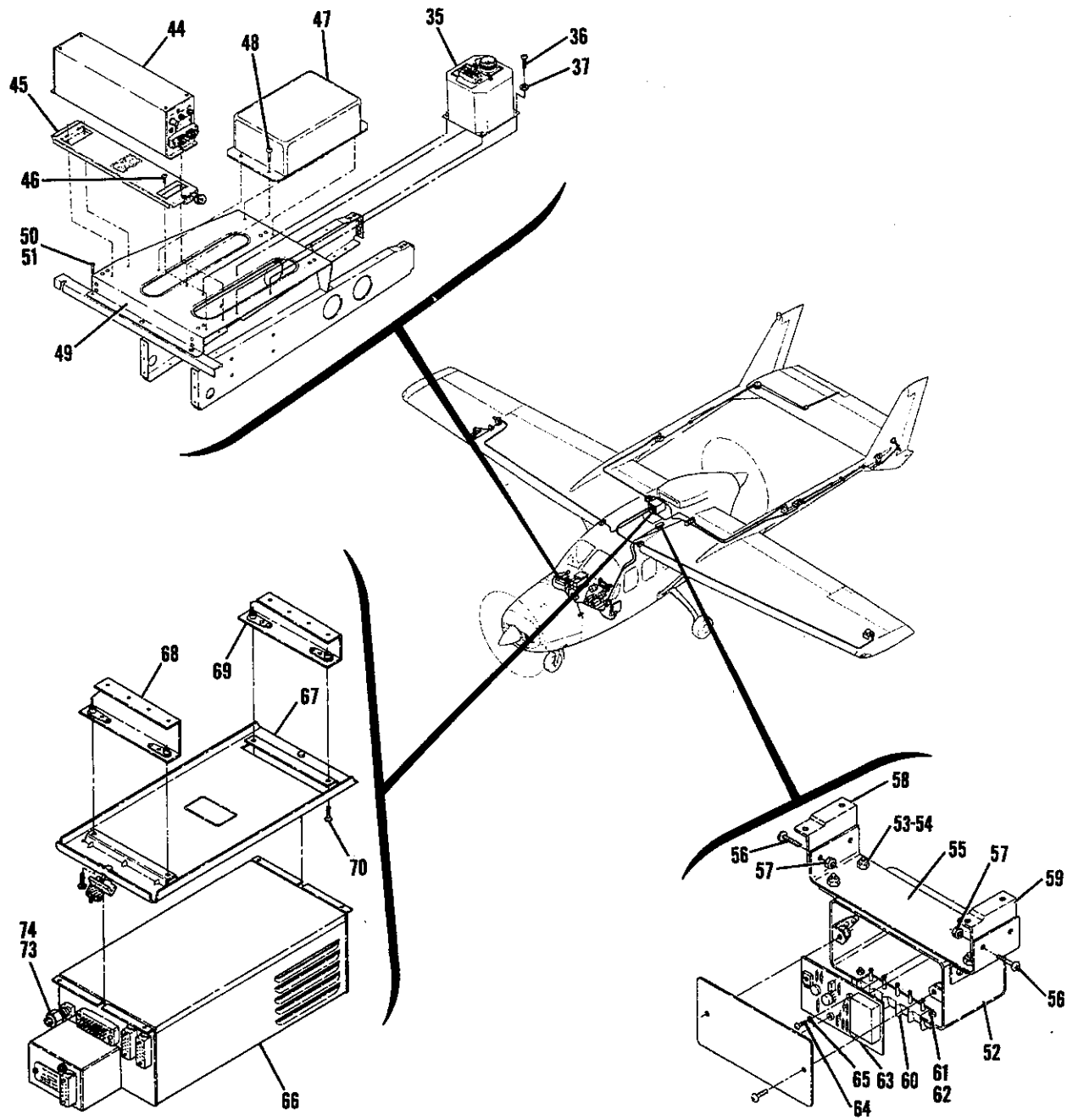
CESSNA 400A INTEGRATED FLIGHT CONTROL SYSTEM



**337 SERIAL 33701672 & ON  
T337 SERIAL P3370226 & ON**

Figure 1-49A. Cessna 400A Integrated Flight Control System (AF-530AFD) 337 & T337 Models Only (Sheet 3 of 7)

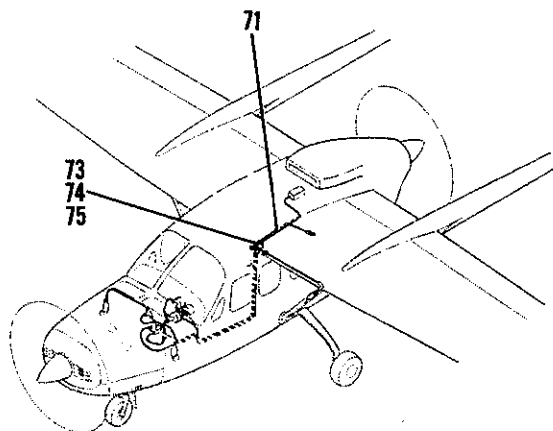
CESSNA 400A INTEGRATED FLIGHT CONTROL SYSTEM



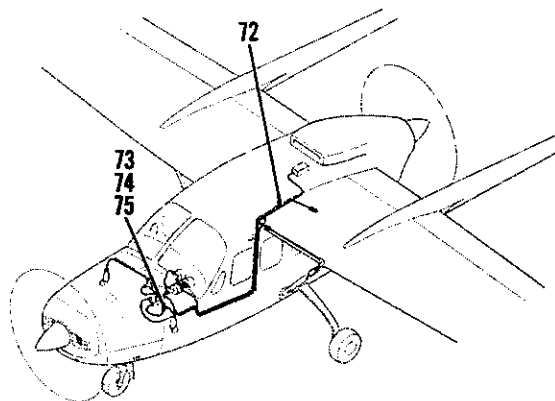
**337 SERIAL 33701672 & ON**  
**T337 SERIAL P3370226 & ON**

Figure 1-49A. Cessna 400A Integrated Flight Control System (AF-530AFD) 337 & T337 Models Only (Sheet 4 of 7)

CESSNA 400A INTEGRATED FLIGHT CONTROL SYSTEM



STANDARD STATIC AIR SOURCE

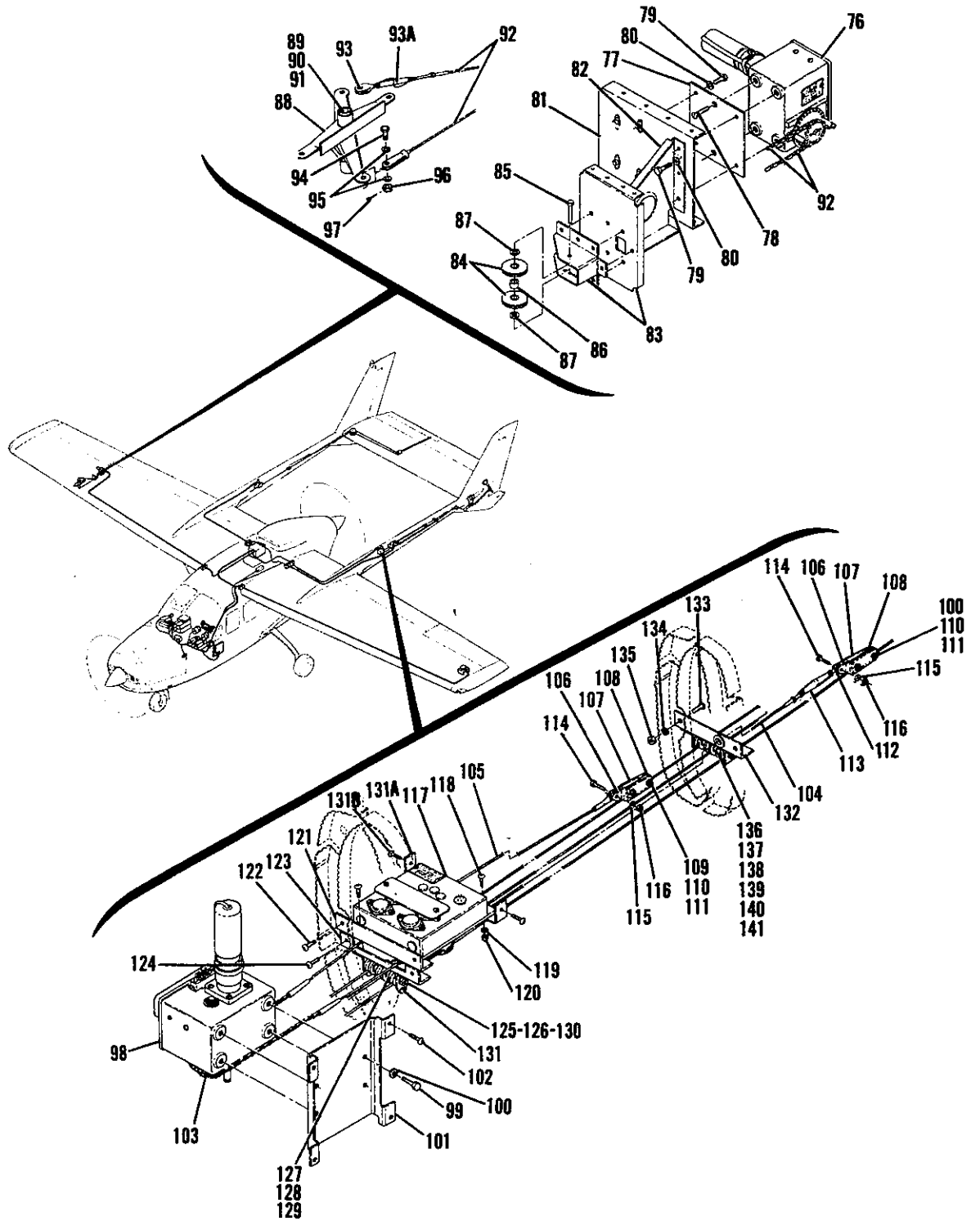


ALTERNATE STATIC AIR SOURCE

**337 SERIAL 33701672 & ON  
T337 SERIAL P3370226 & ON**

Figure 1-49A. Cessna 400A Integrated Flight Control System (AF-530AFD) 337 & T337 Models Only (Sheet 5 of 7)

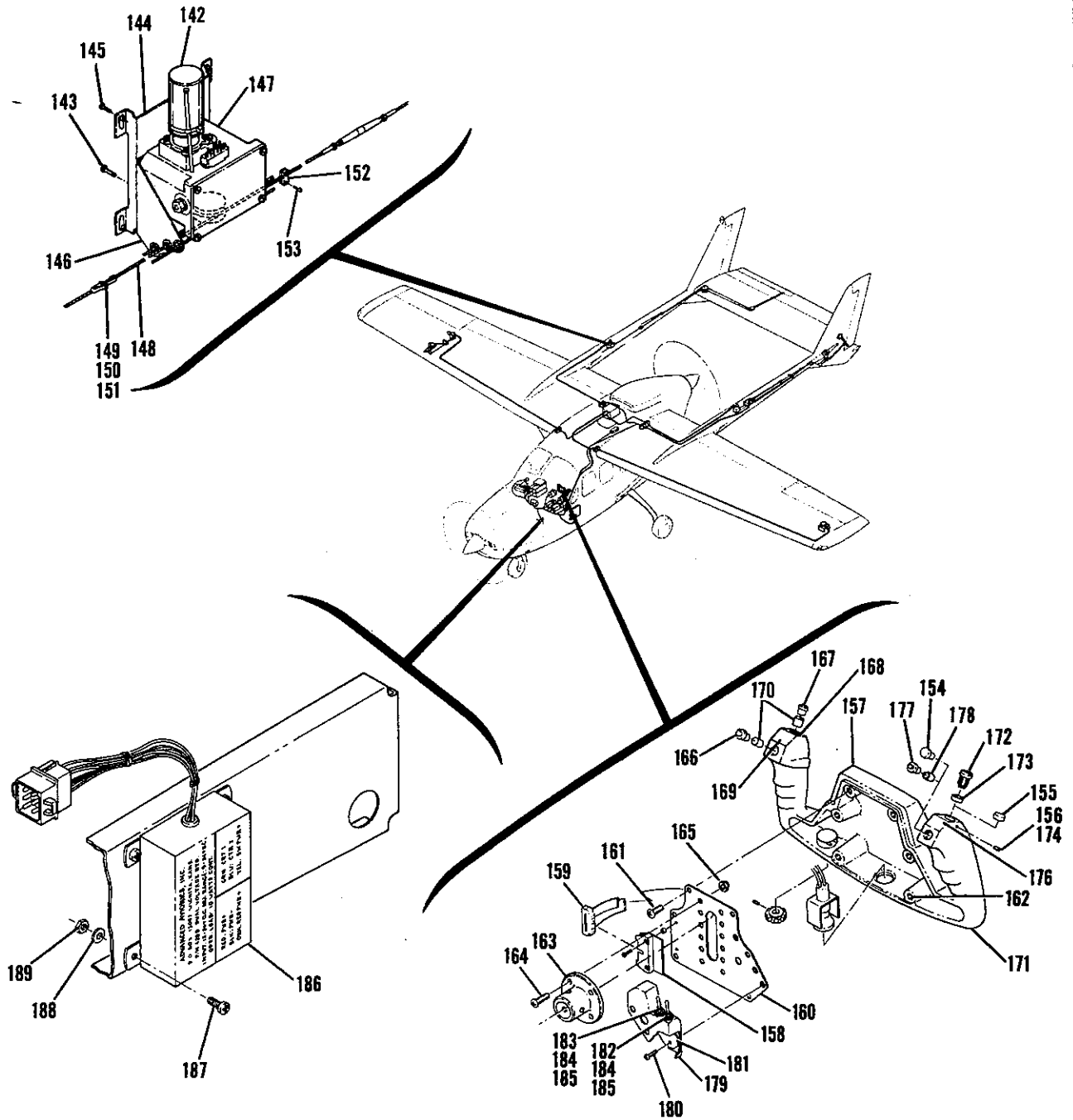
CESSNA 400A INTEGRATED FLIGHT CONTROL SYSTEM



**337 SERIAL 33701672 & ON**  
**T337 SERIAL P3370226 & ON**

Figure 1-49A. Cessna 400A Integrated Flight Control System (AF-530AFD) 337 & T337 Models Only (Sheet 6 of 7)

CESSNA 400A INTEGRATED FLIGHT CONTROL SYSTEM



**337 SERIAL 33701672 & ON  
T337 SERIAL P3370226 & ON**

Figure 1-49A. Cessna 400A Integrated Flight Control System (AF-530AFD) 337 & T337 Models Only (Sheet 7 of 7)

# Cessna illustrated parts catalog

FIGURE AND INDEX NO.	PART NUMBER	DESCRIPTION	UNITS PER ASSY							USABLE ON CODE
			1	2	3	4	5	6	7	
1-49A		CESSNA 400 INTEGRATED FLIGHT CONTROL SYSTEM AF-530AFD								NP
- 1	41090-1028	1976 & ON 337 & T337 MODELS ONLY CONTROLLER TYPE C-531A ARC								1
		ATTACHING PARTS								
- 2	AN507-632RG	SCREW								4
- 3	MS21044N06	NUT								4
		-----*								
- 4	1513170-1	BRACKET-LH								1
- 5	1513170-2	BRACKET-RH								1
		ATTACHING PARTS								
- 6	AN507-632RG	SCREW								4
- 7	MS21044N06	NUT								4
		-----*								
- 8	41100-0010	ATTITUDE GYRO TYPE G-519FD ARC								1
		ATTACHING PARTS								
	AN520-6R10	SCREW								4
		-----*								
- 9	41750-0201	ADF/DIRECTIONAL GYRO TYPE IG-830A REPLACES STANDARD ADF INDICATOR ARC								1
		ATTACHING PARTS								
	AN515-6R10	SCREW								3
		-----*								
- 10	41600-000	INDICATOR-HORIZONTAL SITUATION (HSI) TYPE IN-830A ARC								1
		ATTACHING PARTS								
- 11	41038-0000	CLAMP ARC								1
- 12	AN515-6R6	SCREW								4
		-----*								
- 13	41640-1112	INDICATOR-VOR/LOC TYPE IN-442B REPLACES STD. VOR/LOC IND. WHEN IFCS IS INSTALLED ARC								1
- 14	43910-1100	INDICATOR-VOR/LOC/RNAV TYPE IN-442BR REPLACES ITEM 13 WHEN RNAV IS INSTALLED WITH IFCS ARC								1
		ATTACHING PARTS								
- 15	AN515-6R12	SCREW USED WITH ITEMS 13 & 14								3
- 16	NAS487-20	NUT USED WITH ITEMS 13 & 14								3
		-----*								
- 17	41110-0003	MODE SELECTOR TYPE S-530A ARC								1
		ATTACHING PARTS								
- 18	41038-0000	CLAMP ARC								1
		-----*								
- 19	64311 CM39953	CLAMP ALTERNATE PART FOR PN 41038-0000 MAIV SWITCH-MODE SELECTOR DIM & TEST CLR								1
		ATTACHING PARTS								1
- 20	AN507-440R12	SCREW								2
- 21	AN936B4	WASHER								2
- 22	AN340B4	NUT								2
		-----*								
- 23	1513196-8	COVER ASSY T337 MODELS ONLY								1
- 24	1513196-9	COVER ASSY 337 MODELS ONLY								1
- 25	1570282-1	KNOB DIMMING								1
- 26	1570282-2	KNOB PRESS TO TEST								1
		ATTACHING PARTS								
- 27	MS18065-5	SET SCREW DIMMING KNOB								1
- 28	MS18065-1	SET SCREW PRESS TO TEST KNOB								1
		-----*								
- 29	1270713-3	REGULATOR ASSY MODE SELECTOR SWITCH SPECIFY FOR 28-VOLT SYSTEM WHEN ORDERING PART								1
		ATTACHING PARTS								
- 30	AN515-4R8	SCREW								2
- 31	AN936A4	WASHER								2
- 31A	AN340-4	NUT								2
		-----*								
- 31B	1570356-1	SUPPORT FOR MODE SELECTOR SWITCH REGULATOR ASSY								1
- 32	40910-0000	SLAVING METER TYPE IN-502A ARC								1
- 33	S1360-5L	CIRCUIT BREAKER A/P, SLAVED GYRO & ELE TRIM								3
- 34	S2122-1	NUT-DECORATIVE CIRCUIT BREAKER								3
- 35	41950-0000	RECEIVER ACCESSORY REQ'D ONLY WHEN IFCS HAS ADF INSTL								1
		ATTACHING PARTS								
- 36	AN935-6	WASHER								4
- 37	AN515-6R5	SCREW								4
		-----*								

CONTINUED ON NEXT PAGE



# Cessna illustrated parts catalog

FIGURE AND INDEX NO.	PART NUMBER	DESCRIPTION	UNITS PER ASSY							USABLE ON CODE
			1	2	3	4	5	6	7	
1-49A										
- 38	41370-0000	FLUX DETECTOR TYPE CT-502A ARC -----								1
		ATTACHING PARTS -----								
- 39	AN515-8R8	SCREW -----								3
		*-----								
- 40	1522040-1	BRACKET ASSY -----								1
- 41	1522041-1	DOUBLER ASSY -----								1
- 42	1522042-1	DOOR -----								1
		ATTACHING PARTS -----								
- 43	AN5078832R8	SCREW -----								6
		*-----								
- 44	41790-0000	CONVERTER-HSI TYPE B-841A WHEN R-NAV IS -----								1
		INSTALLED CONVERTER IS NOT REQUIRED ARC -----								
		ATTACHING PARTS -----								
- 45	36450-0000	MOUNTING TYPE M-543B ARC -----								1
- 46	AN515-6R6	SCREW -----								4
		*-----								
- 47	29100-1202	DYNAVERTER TYPE DV-20B -----								1
		ATTACHING PARTS -----								
- 48	AN515-8R8	SCREW -----								4
		*-----								
- 49	1570374-3	RACK ASSY -----								1
		ATTACHING PARTS -----								
- 50	AN515-8R8	SCREW -----								5
- 51	MS21044N08	NUT -----								2
		*-----								
- 52	1270723-6	G-SWITCH ASSY -----								1
		ATTACHING PARTS -----								
- 53	AN515-6R6	SCREW -----								4
- 54	MS21044N06	NUT -----								4
		*-----								
- 55	1270723-8	BRACKET -----								1
		ATTACHING PARTS -----								
- 56	AN515-6R8	SCREW -----								4
- 57	MS21044N06	NUT -----								4
		*-----								
- 58	1512088-1	BRACKET T337 MODELS ONLY -----								1
- 59	1512088-2	BRACKET 337 MODELS ONLY -----								1
- 60	45005-3815	TERMINAL BLOCK -----								1
		ATTACHING PARTS -----								
- 61	AN515-6R8	SCREW -----								2
- 62	MS21044N06	NUT -----								2
		*-----								
- 63	1270722-1	BOARD ASSY -----								1
		ATTACHING PARTS -----								
- 64	AN515-4R6	SCREW -----								2
- 65	AN936B6	WASHER -----								2
		*-----								
- 66	41120-1428	COMPUTER AMPLIFIER TYPE CA-530FD AR -----								1
- 67	37980	MOUNT ARC -----								1
		ATTACHING PARTS -----								
- 68	1570271-3	BRACKET-FWD -----								1
- 69	1570271-1	BRACKET-AFT -----								1
- 70	AN520-6R6	SCREW -----								4
		*-----								
- 71	S1071-1	TUBE-STANDARD STATIC AIR SOURCE -----								AR
- 72	S1071-1-204.00	TUBE-ALTERNATE STATIC AIR SOURCE -----								1
- 73	S1130-1	NUT -----								2
- 74	S1131-1	INSERT -----								2
- 75	S1137-1	TEE -----								1
- 76	35070-0028	ROLL ACTUATOR TYPE PA-500A ARC -----								
		ATTACHING PARTS -----								
- 77	1200194-1	ADAPTOR -----								1
- 78	AN507-1032R8	SCREW -----								2
- 79	AN3-4A	BOLT -----								4
- 80	AN960-10	WASHER -----								4
		*-----								

CONTINUED ON NEXT PAGE

# Cessna illustrated parts catalog

FIGURE AND INDEX NO.	PART NUMBER	DESCRIPTION	UNITS PER ASSY	USABLE ON CODE
1-49A				
- 81	1522083-1	SUPPORT ASSY -----	1	
- 82	1570224-1	BRACKET -----	1	
- 83	1560111-2	BRACKET ASSY -----	1	
- 84	S378-1	PULLEY -----	2	
		ATTACHING PARTS		
- 85	AN3-12A	BOLT -----	1	
- 86	NAS43HT3-15	SPACER -----	1	
- 87		WASHER -----	2	
		*-----*		
- 88	1462000-2	BELLCRANK -----	1	
		ATTACHING PARTS		
- 89	AN4H40A	BOLT -----	1	
- 90	AN960-416	WASHER -----	1	
- 91	0522629	WASHER -----	2	
		*-----*		
- 92	1560008-8	CHAIN & CABLE ASSY -----	1	
		ATTACHING PARTS		
- 93	AN161-16LS	FORK -----	1	
- 93A	AN155-16S	BARREL -----	1	
- 94	AN3-5	BOLT -----	2	
- 95	AN960-C10L	WASHER -----	2	
- 96	AN310C3	NUT -----	2	
- 97	MS24665-134	PIN -----	2	
		*-----*		
- 98	35070-0128	PITCH ACTUATOR TYPE PA-500A ARC -----	1	
		ATTACHING PARTS		
- 99	AN3-4A	BOLT -----	4	
-100	AN960-10L	WASHER -----	4	
		*-----*		
-101	1570219-1	BRACKET -----	1	
		ATTACHING PARTS		
-102	AN525-832R8	SCREW -----	4	
		*-----*		
-103	1560100-39	CHAIN ASSY -----	1	
-104	1560100-38	CABLE ASSY -----	1	
-105	1560100-36	CABLE ASSY -----	1	
		ATTACHING PARTS		
-106	1470066-34	LINK USED WITH ITEMS 104 & 105 -----	2	
-107	1470066-35	LINK USED WITH ITEMS 104 & 105 -----	2	
-108	0861520-1	CLAMP HALF USED WITH ITEMS 104 & 105 -----	4	
-109	AN3-10A	BOLT USED WITH ITEMS 104 & 105 -----	4	
-110	AN960-10	WASHER USED WITH ITEMS 104 & 105 -----	4	
-111	MS21044N3	NUT USED WITH ITEMS 104 & 105 -----	4	
-112	AN165-16RS	END USED WITH ITEM 104 ONLY -----	1	
-113	AN155-16S	BARREL USED WITH ITEM 104 ONLY -----	1	
-114	AN3-6A	BOLT USED WITH ITEMS 104 & 105 -----	2	
-115	AN960-10	WASHER USED WITH ITEMS 104 & 105 -----	2	
-116	MS21044N3	NUT USED WITH ITEMS 104 & 105 -----	2	
		*-----*		
-117	37580-0014	PITCH TRIM SENSOR TYPE DT-520A ARC -----	1	
		ATTACHING PARTS		
-118	AN520-10R8	SCREW -----	4	
-119	AN960-10L	WASHER -----	4	
-120	MS21044N3	NUT -----	4	
		*-----*		
-121	1570271-1	SUPPORT ASSY -----	1	
		ATTACHING PARTS		
-122	AN520-10R10	SCREW -----	2	
		*-----*		
-123	1570218-1	BRACKET ASSY -----	1	
		ATTACHING PARTS		
-124	AN520-10R10	SCREW -----	2	
-125	AN3-24A	BOLT -----	1	
-126	AN960-10L	WASHER -----	7	
-127	NAS430D3-16	SPACER -----	2	
-128	0411783-0	BUSHING -----	3	
-129	S1710-1	PULLEY -----	3	
-130	MS21044N3	NUT -----	1	
-131	MS24665-294	COTTER PIN -----	1	
		*-----*		

CONTINUED ON NEXT PAGE

# Cessna illustrated parts catalog

FIGURE AND INDEX NO.	PART NUMBER	DESCRIPTION	UNITS PER ASSY	USABLE ON CODE
1-49A				
-131A	1570217-3	SUPPORT ASSY ----- ATTACHING PARTS -----	1	
-131B	AN520-10R8	SCREW ----- -----*	2	
-132	1570223-1	BRACKET ASSY ----- ATTACHING PARTS -----	1	
-133	AN520-10R7	SCREW -----	2	
-134	AN960-10L	WASHER -----	2	
-135	MS21044N3	NUT -----	2	
-136	AN3-29A	BOLT -----	1	
-137	AN960-10L	WASHER -----	7	
-138	NAS43DD3-12	SPACER -----	2	
-139	0411783-0	BUSHING -----	3	
-140	S1710-1	PULLEY -----	3	
-141	MS21044N3	NUT ----- -----*	1	
-142	40280-0028	TRIM ACTUATOR TYPE PA-520B ARC ----- ATTACHING PARTS -----	1	
-143	AN3-5A	BOLT ----- -----*	4	
-144	1570219-3	BRACKET ASSY ----- ATTACHING PARTS -----	1	
-145	AN525-832R8	SCREW ----- -----*	4	
-146	1570220-3	BRACKET ASSY-FWD -----	1	
-147	1570220-1	BRACKET ASSY-AFT -----	1	
-148	1560100-37	CABLE ASSY ----- ATTACHING PARTS -----	1	
-149	MS20392-2C7	PIN -----	1	
-150	AN960-10L	WASHER -----	1	
-151	MS24665-132	COTTER PIN -----	1	
-152	1460326-1	STOP BLOCK ----- ATTACHING PARTS -----	2	
-153	AN502-10-6	SCREW ----- -----*	2	
-154	1560142-5	CONTROL WHEEL ASSY-FLIGHT DIRECTOR -----	1	
-155	1270682-1	PLUG-MIKE SWITCH HOLE -----	1	
-156	1560110-3	PLUG-TRIM SWITCH HOLE -----	1	
-157	AN565B4-2	SCREW -----	1	
-158	0760029-1	PAO-CONTROL WHEEL -----	1	
-159	1570307-2	CONNECTOR ASSY-CONTROL COLUMN AFT -----	1	
-160	1570308-1	CABLE ASSY -----	1	
-161	0760016-4	PLATE ----- ATTACHING PARTS -----	1	
-162	NAS221-9	SCREW -----	6	
-163	MS21209-F1-20	INSERT ----- -----*	6	
-164	0760017-2	ADAPTER ----- ATTACHING PARTS -----	1	
-165	NAS221-11	SCREW -----	4	
-166	MS21044N3	NUT ----- -----*	4	
-167	S1985-1	SWITCH GO AROUND FORWARD POSITION -----	1	
-168	S1985-1	SWITCH PITCH SYNC AFT POSITION -----	1	
-169	1400019-56	PLACARD PITCH SYNC -----	1	
-170	1400019-57	PLACARD GA -----	1	
-171	1270683-1	INSULATOR-SWITCH -----	2	
-172	0760015-6	CONTROL WHEEL -----	1	
-173	S2030-1	SWITCH-ELECTRIC TRIM ----- ATTACHING PARTS -----	1	
-174	1560110-1	ADAPTER -----	1	
-175	AN565B4-2	SCREW ----- -----*	1	

CONTINUED ON NEXT PAGE

FIGURE AND INDEX NO.	PART NUMBER	DESCRIPTION	UNITS PER ASSY	USABLE ON CODE
		<b>1 2 3 4 5 6 7</b>		
1-49A		PLACARD ELE TRIM UP -----	1	
-175	1505003-3	PLACARD DN -----	1	
-176	1505003-2	SWITCH-MIKE KEVING -----	1	
-177	S1985-1	INSULATOR-SWITCH -----	1	
-178	1270683-1	HOUSING-TRIM & AUTOPILOT DISENGAGE SWITCH -----	1	
-179	1560337-2	ATTACHING PARTS		
-180	AN515-6R7	SCREW -----	3	
-181	1560337-3	STIFFENER -----	1	
		*-----*		
-182	7108SYZ	SWITCH-AUTOPILOT DISENGAGE CANK -----	1	
-183	S1695-2	SWITCH-ELECTRIC TRIM DISENGAGE -----	1	
-184	C10	COVER-TOGGLE SWITCH AFLM -----	2	
-185	S1216-3	NUT-SWITCH -----	2	
-186	C61103-0101	VOLTAGE REGULATOR ADAV -----	1	
		ATTACHING PARTS		
-187	AN515-6R8	SCREW -----	4	
-188	AN960-6	WASHER -----	4	
-189	MS21044N06	NUT -----	4	
		*-----*		
-190	1505061-3	PLACARD OPERATION LIMITATIONS -----	1	
-191	SEE SEC 4	AUDIO CONTROL PANEL AND SELECTOR SWITCH INSTALLATION -----	1	
-192	1513193-55	COVER ASSY LH-INSTRUMENT PANEL WITHOUT POSTLIGHTS -----	1	
		WITH IFCS & HSI 337 MODELS ONLY		
	1513193-57	COVER ASSY LH-INSTRUMENT PANEL WITHOUT POSTLIGHTS -----	1	
		WITH IFCS & HSI T337 MODELS ONLY		
	1513193-73	COVER ASSY LH-INSTRUMENT PANEL WITHOUT POSTLIGHTS -----	1	
		WITH IFCS-HSI-DME 337 MODELS ONLY		
	1513193-75	COVER ASSY LH-INSTRUMENT PANEL WITHOUT POSTLIGHTS -----	1	
		WITH IFCS-HSI-DME T337 MODELS ONLY		
-193	1513195-31	COVER ASSY LH-INSTRUMENT PANEL WITH POSTLIGHTS -----	1	
		WITH IFCS & HSI 337 MODELS ONLY		
	1513195-32	COVER ASSY LH-INSTRUMENT PANEL WITH POSTLIGHTS -----	1	
		WITH IFCS & HSI T337 MODELS ONLY		
	1513195-34	COVER ASSY LH-INSTRUMENT PANEL WITH POSTLIGHTS -----	1	
		WITH IFCS-HSI-DME 337 MODELS ONLY		
	1513195-35	COVER ASSY LH-INSTRUMENT PANEL WITH POSTLIGHTS -----	1	
		WITH IFCS-HSI-DME T337 MODELS ONLY		
		 NOTES		
		1. REFER TO THE APPROPRIATE 337 SERIES PARTS CATALOG FOR VACUUM FITTINGS & HOSES.		
		2. REFER TO THE APPROPRIATE WIRING DIAGRAMS IN SECTION VII OF THIS MANUAL FOR ELECTRICAL CONNECTORS AND WIRING.		
		3. A DUAL 400 NAV/COM IS REQUIRED FOR THIS INSTALLATION TO BE FULLY OPERATIONAL.		
		4. REFER TO THE APPROPRIATE 337 SERIES PARTS CATALOG FOR CONTROL WHEEL PARTS NOT SHOWN OR CALLED OUT.		
		5. ELEVATOR ACTUATOR CABLE TENSION TO BE 25 TO 35 LBS.		
		6. ROLL ACTUATOR CABLE TENSION TO BE 10 TO 20 LBS.		
		7. TRIM ACTUATOR CABLE TENSION TO BE 15 TO 25 LBS.		