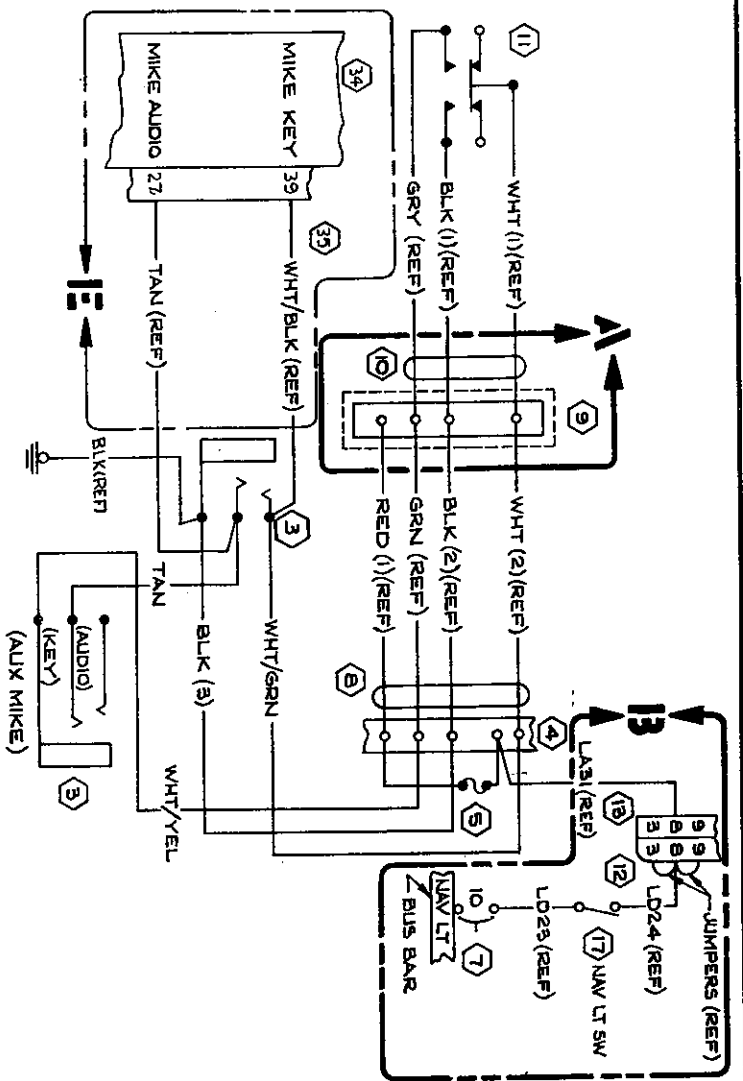
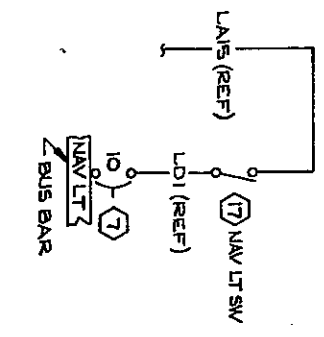


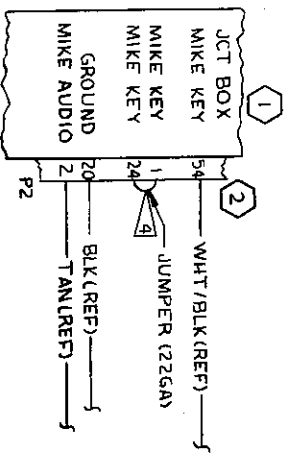
REVISIONS		
LTN	DESCRIPTION	DATE
D	SEE SHEET 1 FOR REVISION	



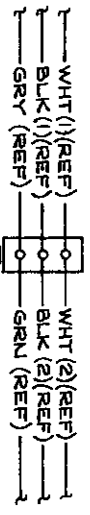
APPLIES TO 172, 177, 180, 185
(EXCEPT AS SHOWN IN DETAILS)



DETAIL 13
(APPLIES TO 177 ONLY)



DETAIL 14 (APPLIES TO 172, 177, 177REG, 180 (185)
EFF THRU 172G5687, F17201387, F17200571
F17200561, 17702313, 177A60787, F177RG0138,
18052420 & 18502838

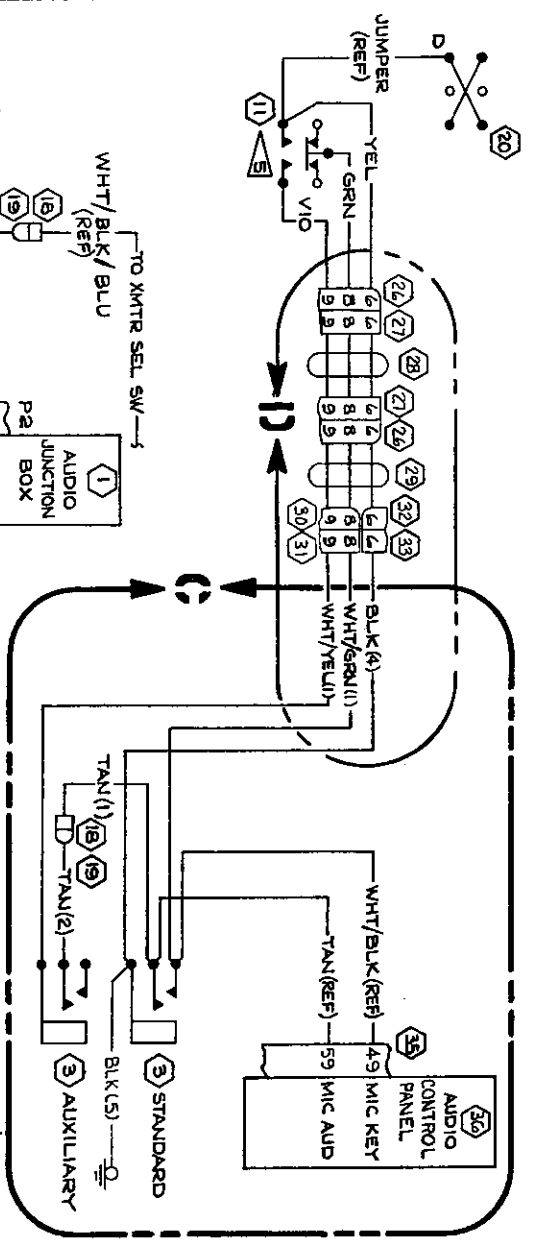


DETAIL 14
(W/O MAPLIGHT)
(TYPICAL)

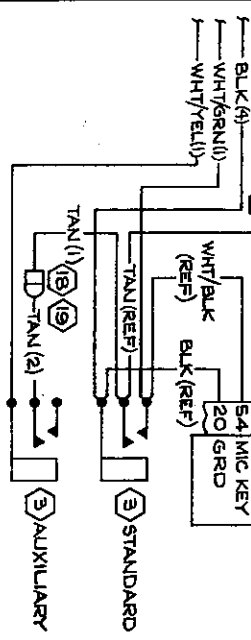
CONTRACT NO:		CASSIDA AIRCRAFT CO.	
DESIGN	NAME	DATE	COMMERCIAL AIRCRAFT DIV.
GROUP	W. W. W.	3-26-73	5800 E. PARKWAY
DRAWN	GRUBBS	3-21-73	WICHITA, KANSAS
CHECK	RYOUNGERS	3-21-73	
STRESS		4-5-73	
PROJECT			
APPD			
SIZE	CODE IDENT.	DWG NO.	
C	71379	3920144	
SCALE: NONE		PAGE: 2 OF 3	

05-242-0905
04-231-0905
03-231-0905
08-267-0905
06-250-0905

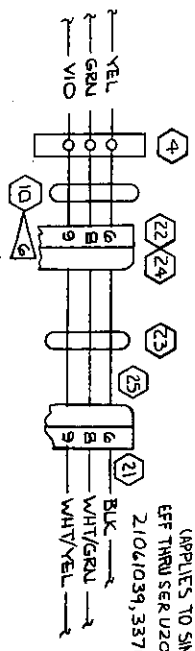
REVISIONS		
LTR	DESCRIPTION	DATE
I	SEE SHEET 1 FOR REVISION	



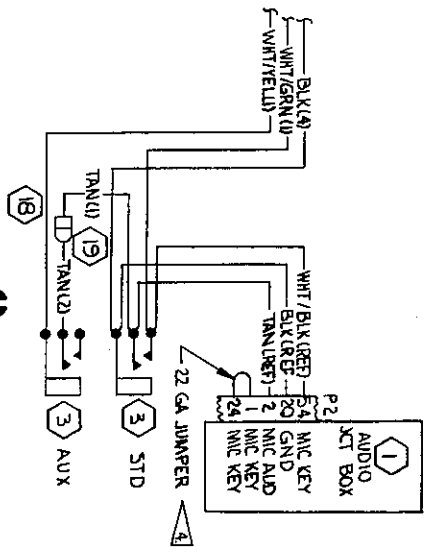
APPLIES TO 182, 206, 207, 210 & 3375
(MAP LIGHT WIRING NOT SHOWN)



DETAIL C
(APPLIES TO DUAL UNIT INSTL)
EFF THRU SER V20603020, 20700314, 18264295, 21061039,
33701671, P3370225, F33700076, F3370015



DETAIL D
EFF THRU SER 18263094, U20602406, 20700245, 21060318, 33701593, F33700071, P3370138, F3370013



DETAIL C
(APPLIES TO SINGLE UNIT INSTL)
EFF THRU SER U20603020, 20700314, 18264295,
21061039, 33701671, P3370225, F33700076,
F3370015

CONTRACT NO:		Cessna AIRCRAFT CO.	
DESIGN	NAME	DATE	
GROUP	H. W. A. L.	3-26-73	
DRAWN	C. J. B.	3-21-73	
CHECK	R. J. O. N.	3-22-73	
STRESS			
PROJECT	ON	4-5-73	
APPD			
SIZE	CODE IDENT.	DWG NO.	
C	71379	3920144	
SCALE: NONE	SHEET: 3 OF 3		

COMMERCIAL AIRCRAFT DIV.
5800 E. PAVANE
WICHITA, KANSAS