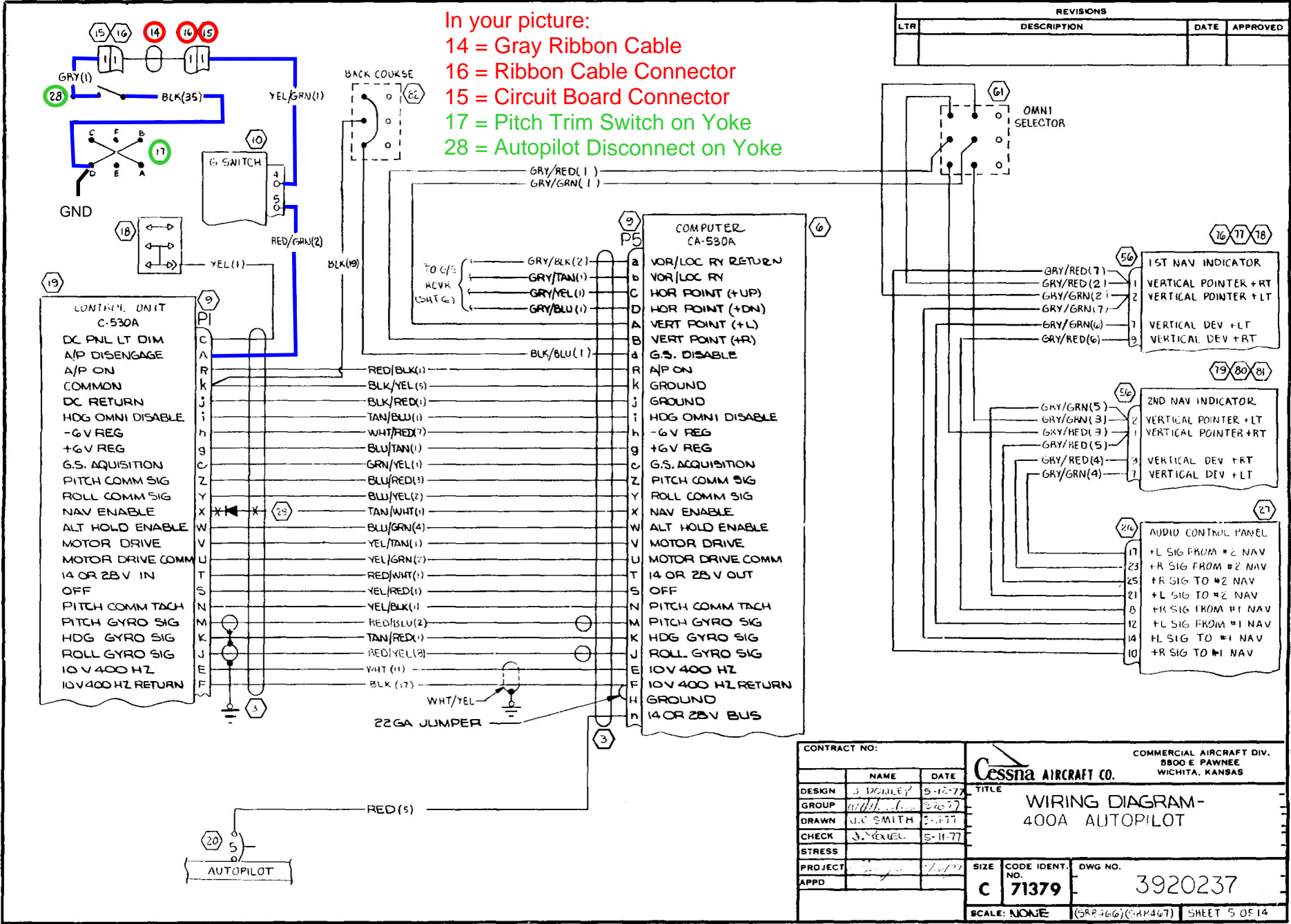


In your picture:
 14 = Gray Ribbon Cable
 16 = Ribbon Cable Connector
 15 = Circuit Board Connector
 17 = Pitch Trim Switch on Yoke
 28 = Autopilot Disconnect on Yoke

REVISIONS			
LTR	DESCRIPTION	DATE	APPROVED



CONTRACT NO:			Cessna AIRCRAFT CO.		COMMERCIAL AIRCRAFT DIV. 8800 E PAWNEE WICHITA, KANSAS	
DESIGN	NAME	DATE	TITLE			
GROUP	W. DORR	5-12-77	WIRING DIAGRAM-			
DRAWN	J.C. SMITH	5-11-77	400A AUTOPILOT			
CHECK	J. S. GIBEL	5-11-77				
STRESS						
PROJECT			SIZE	CODE IDENT. NO.	OWG NO.	
APPD			C	71379	3920237	
			SCALE: NONE	(S&P 466)(CAP 467)	SHEET 5 OF 14	