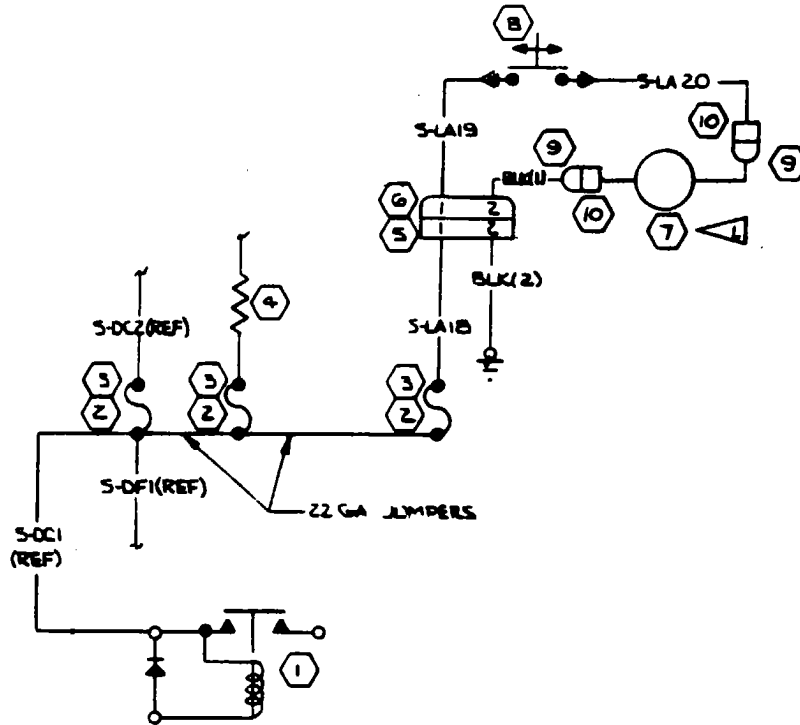


NOTES:

▶ TERMINATE VENDOR FURNISHED WIRES WITH S-635-1 & S-1636-1 TERMINALS

REVISION			
LET	DESCRIPTION	DATE	APPO
A	BY REV: ADD NOTE 1. WIRE LENGTHS. S-1637-1 & S-1637-2: S-1636-1 WAS S-1870-0 S-1637-1 WAS S-1870-0/BLK(1) NOW SHOP PRACTICE MEB 3370205	26 -26-79	DLF JRS OK



QTY	PART NO.	DESCRIPTION	QTY	PART NO.	DESCRIPTION	QTY	PART NO.	DESCRIPTION
10	S-1637-2	HOUSING	4	S-1636-1	S-1870-B			
9	S-1637-1	HOUSING	63	S-1635-1	S-1635-1			
8	S-1831-1	SWITCH	6	S-1830-1	S-1636-1			
7	C622002-0102	LIGHT ASSY	63	S-1635-1	S-1830-1			
6	S-2035-1	HOUSING	30	SOLDER	S-1636-1			
5	S-2035-2	HOUSING						
4	X26263	RESISTOR						
3	S-1090-22	FUSE HOLDER						
2	S-1091-1	FUSE						
1	S-1580-1	BATTERY CONTACTOR						

EQUIPMENT TABLE		WIRE TABLE	
PART NO.	DESCRIPTION	GA	MATERIAL
BLK(2)	22	-22-0	4
BLK(1)	22	-22-0	63
S-LA20	22		6
S-LA19	22		63
S-LA18	22		30
			SOLDER

CONTRACT NO:			COMMERCIAL AIRCRAFT DIV. 3800 E. PAWNEE WICHITA, KANSAS		
DESIGN	NAME	DATE	Cessna AIRCRAFT CO.		
GROUP	H. W. Hill	9-14-73	TITLE		
DRAWN	J. OLLER	9-11-73	WIRING DIAGRAM - COURTESY LIGHTS		
CHECK	J. Youse	9-12-73			
STRESS					
PROJ	J. L. Latta	9-14-73	SIZE	CODE IDENT. NO.	DWG NO.
APPO			C	71379	1571000
OTHER			SCALE: NONE	337345 (REF) 337346 (REF)	PAGE: 11.11