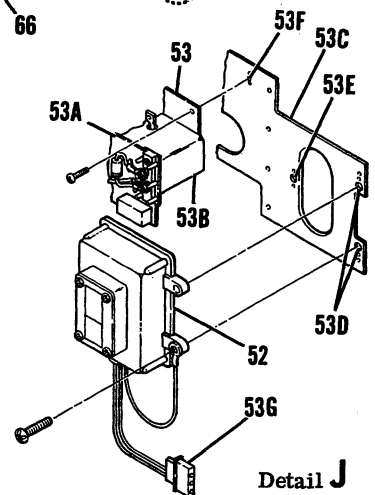
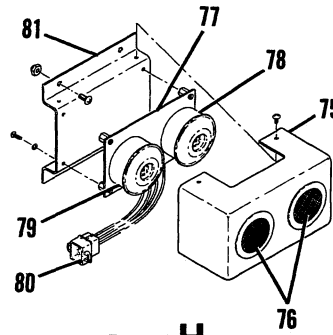
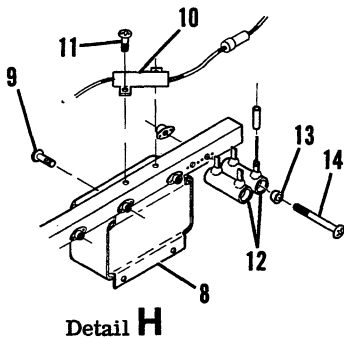
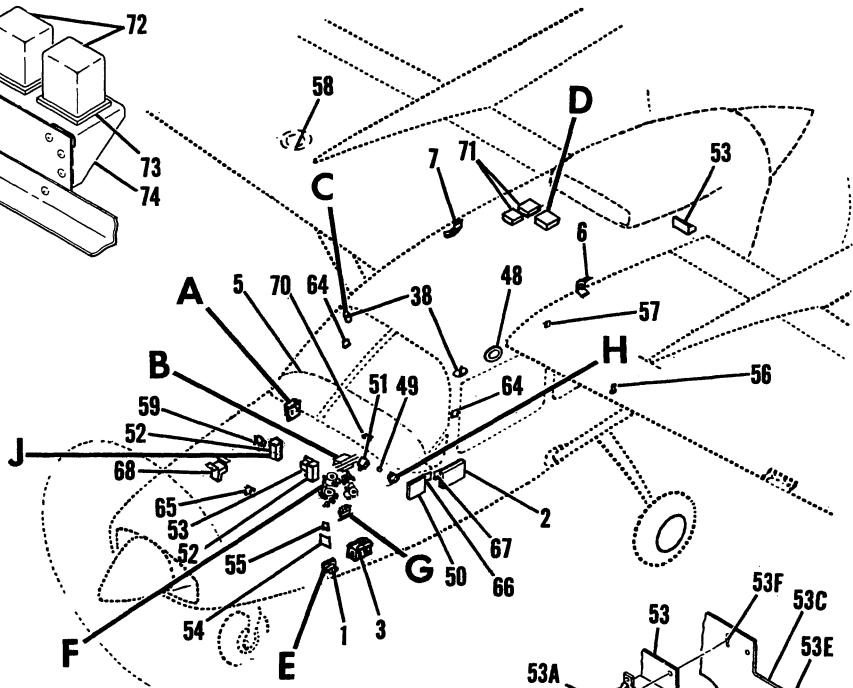
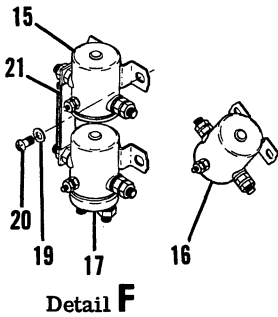
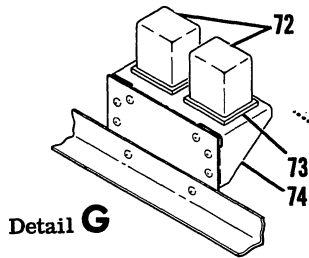
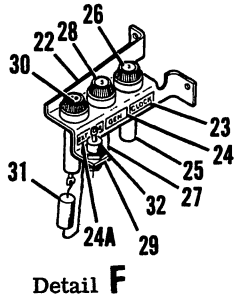
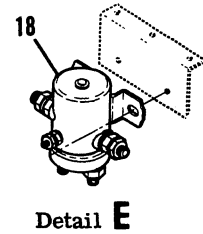
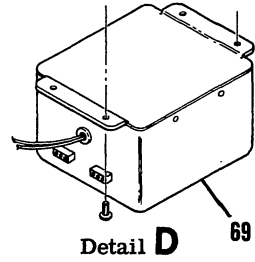
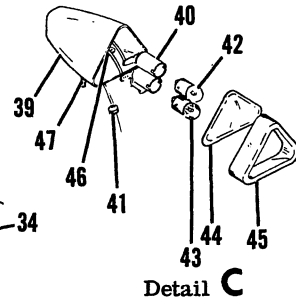
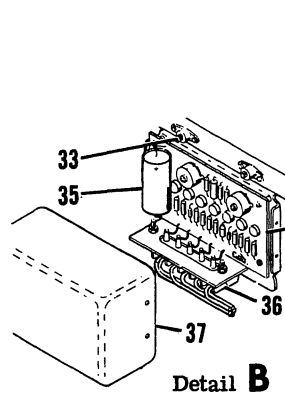
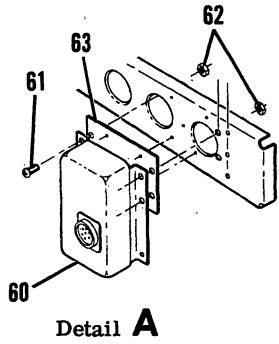


Electrical Equipment



33701194 THRU 33701462
F33700001 THRU F33700045

33701399 THRU 33701462
F33700046 THRU 33700055

33701399 THRU 33701462
F33700046 THRU F33700055

Figure 164. Fuselage Electrical Equipment Installation