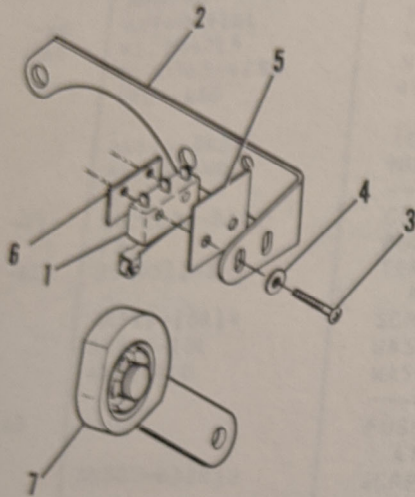
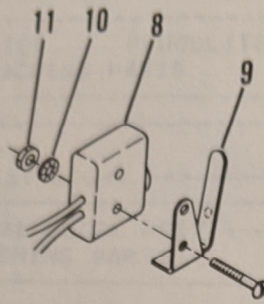


Electrical Equipment (Cont)



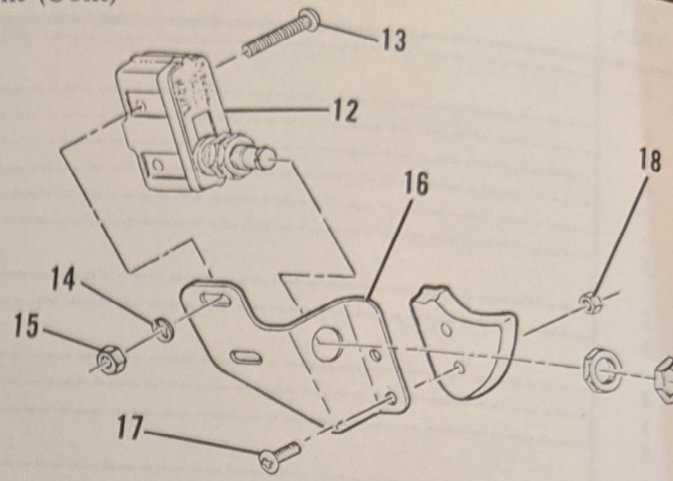
GEAR WARNING SWITCH

Detail **A**



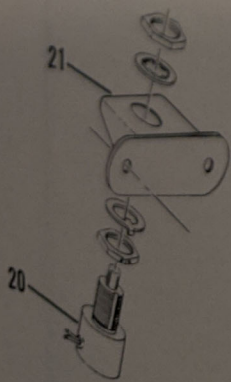
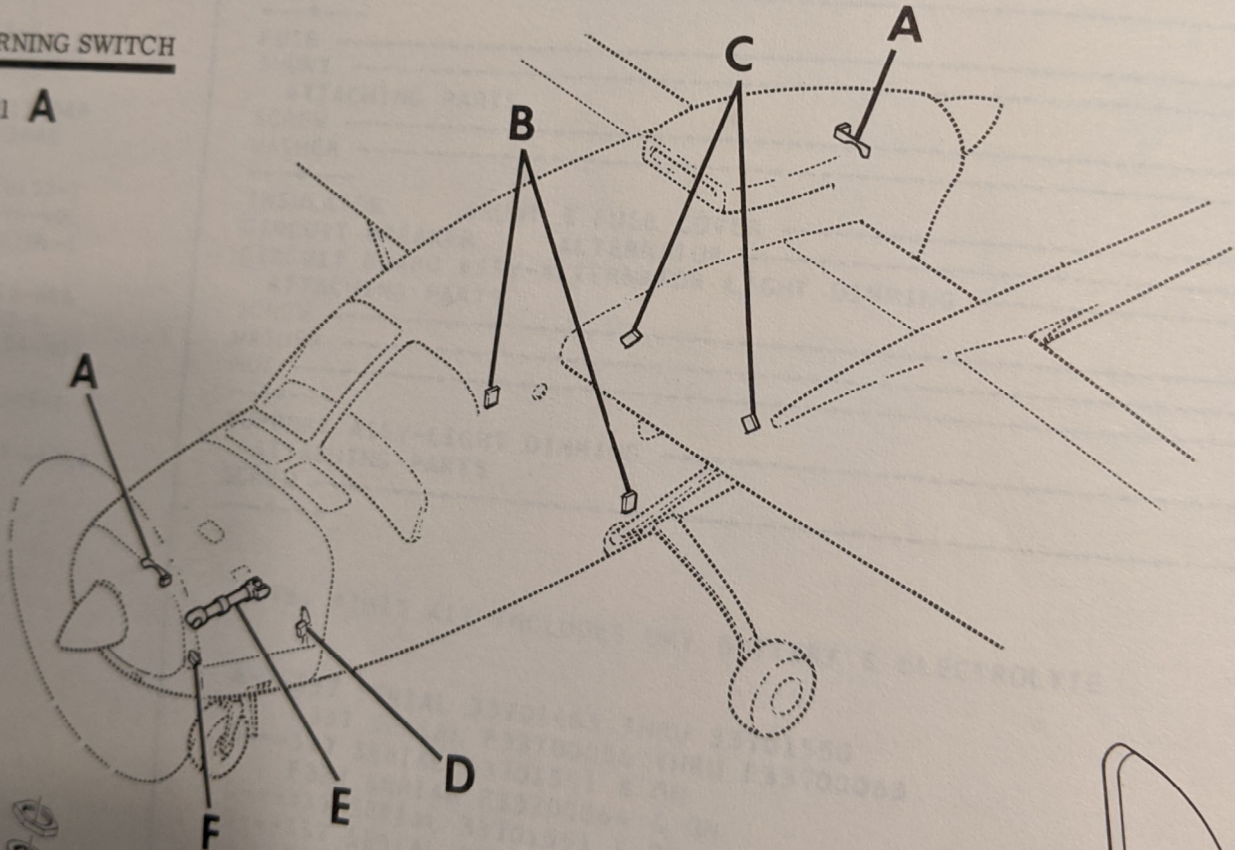
MAIN GEAR DOWNLOCK

Detail **B**



MAIN GEAR UPLOCK

Detail **C**



SQUAT SWITCH

Detail **F**

